

US00D494859S1

(12) **United States Design Patent**
Keberlein

(10) **Patent No.:** **US D494,859 S**

(45) **Date of Patent:** **** Aug. 24, 2004**

(54) **FACIAL TISSUE BOX**

(76) **Inventor:** **Gerald J. Keberlein**, W6344 Cedar
Cliff Dr., Hortonville, WI (US) 54944

(**) **Term:** **14 Years**

(21) **Appl. No.:** **29/174,783**

(22) **Filed:** **Jan. 24, 2003**

(51) **LOC (7) Cl.** **09-03**

(52) **U.S. Cl.** **D9/416; D9/430**

(58) **Field of Search** D9/414, 416, 417,
D9/430, 431, 433; D6/515-523; 206/216,
581, 233, 457, 459.1, 459.5, 823; 428/187;
229/116.1, 116.5, 115, 108, 925, 123.1,
123.3, 210

D352,191 S	*	11/1994	Zorian	D9/430
5,375,713 A		12/1994	Horvat et al.	206/418
5,505,296 A	*	4/1996	Parker	206/233
5,516,000 A		5/1996	Freiburger et al.	221/48
5,542,598 A		8/1996	Capo	229/242
5,544,741 A		8/1996	Fantone et al.	206/308.1
D376,501 S		12/1996	Spaseska	D6/518
5,740,913 A		4/1998	McFarland	206/494
D398,429 S	*	9/1998	LeBlanc et al.	D9/430
5,823,344 A		10/1998	Fantone et al.	206/459.5
5,833,068 A		11/1998	Fantone	206/459.1
5,850,913 A		12/1998	Fantone et al.	206/308.1
5,941,382 A		8/1999	Fantone et al.	206/308.1
D420,236 S		2/2000	Parkes et al.	D6/515
6,065,623 A		5/2000	Hierzer et al.	215/230

(List continued on next page.)

Primary Examiner—Prabhakar Deshmukh

(74) *Attorney, Agent, or Firm*—Whyte Hirschboeck Dudek
SC

(56) **References Cited**

U.S. PATENT DOCUMENTS

1,181,781 A	5/1916	Long	
D76,634 S	12/1928	Riegel 9/430
1,889,985 A	* 12/1932	Hays 229/115
2,334,997 A	11/1943	Doll 206/58
2,349,589 A	* 5/1944	Harrington 229/115
3,155,273 A	11/1964	Cote 221/63
D212,109 S	8/1968	Taylor D44/6
3,428,235 A	2/1969	Ramdazzp 229/40
3,940,054 A	2/1976	Goebel et al. 229/51
4,044,889 A	8/1977	Orentreich et al. 206/459
4,163,508 A	8/1979	Mannor 221/310
4,200,200 A	4/1980	Hein, III et al. 221/48
4,513,862 A	4/1985	Mallow 206/233
D280,703 S	9/1985	Strobe D9/331
D280,965 S	10/1985	Prophet, Jr. et al. D7/81
4,607,784 A	* 8/1986	Calabrese 229/115
4,623,074 A	11/1986	Dearwester 221/48
D293,058 S	12/1987	Iwarsson D6/523
4,863,026 A	9/1989	Perkowski 206/387
D316,201 S	4/1991	Shimasaki D6/518
5,125,565 A	* 6/1992	Rogers 229/115
5,219,421 A	6/1993	Tipping 221/63
D340,373 S	10/1993	Konkin D6/518
5,280,385 A	1/1994	Wybrow 359/438

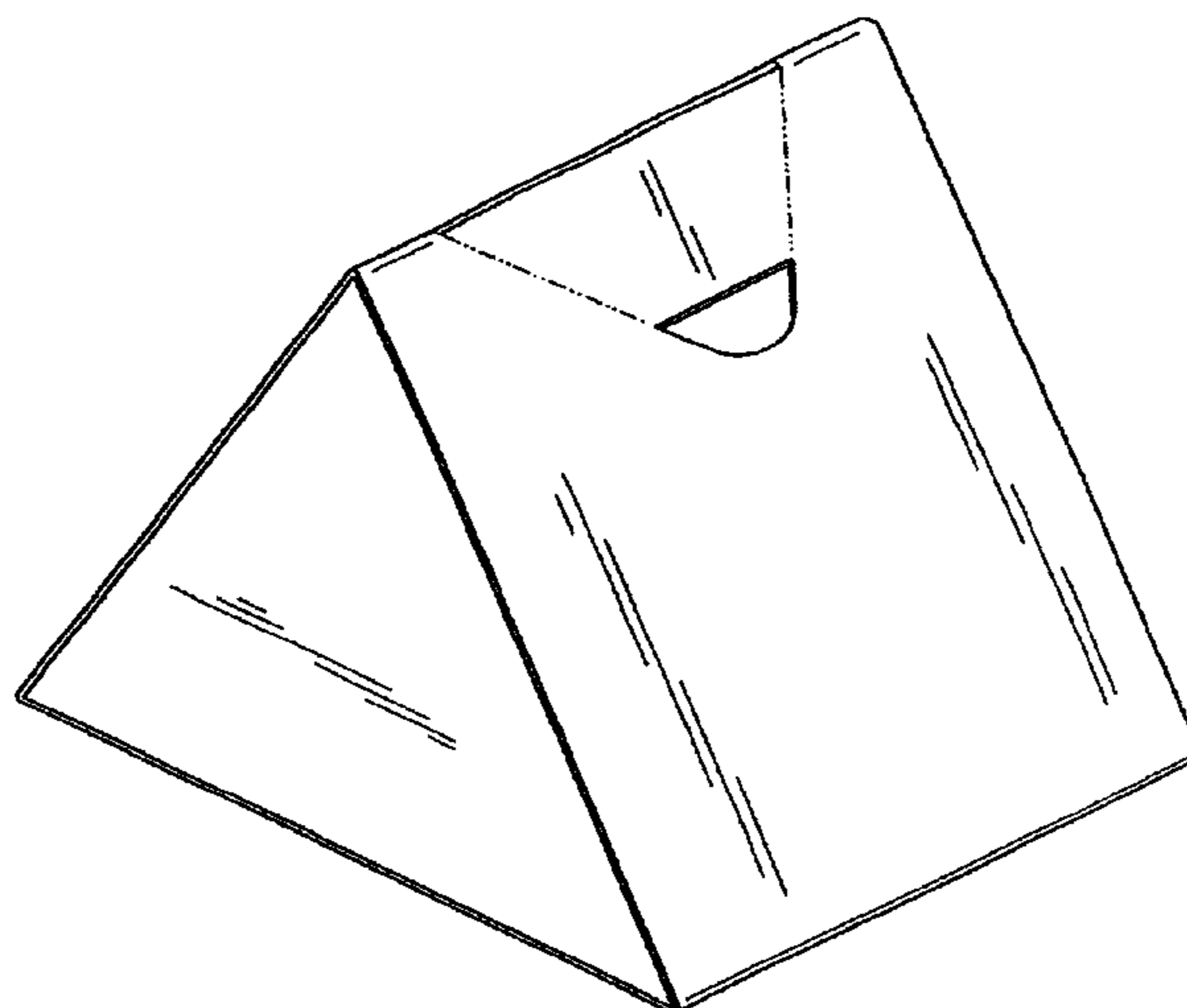
(57) **CLAIM**

The ornamental design for a facial tissue box, as shown and described.

DESCRIPTION

FIG. 1 is a perspective view of a blank for a facial tissue box showing my new design;
 FIG. 2 is top plan view thereof;
 FIG. 3 is a front view thereof;
 FIG. 4 is a rear view thereof;
 FIG. 5 is left side view thereof, with the right side view being identical;
 FIG. 6 is a perspective view of a facial tissue box formed by folding the facial tissue box blank of FIG. 1;
 FIG. 7 is a top plan view thereof;
 FIG. 8 is a front view thereof, with the rear view being identical;
 FIG. 9 is a left side view thereof, with the right side view being identical; and,
 FIG. 10 is a bottom view thereof.

1 Claim, 4 Drawing Sheets



US D494,859 S

Page 2

U.S. PATENT DOCUMENTS

6,102,568	A	*	8/2000	Davis	229/115	6,371,296	B1	*	4/2002	Rumbough	206/233
6,158,614	A		12/2000	Haines et al.	221/63	6,381,887	B1		5/2002	Williams	40/454
D439,515	S		3/2001	Rondolino	D9/430	6,385,882	B1		5/2002	Conley et al.	40/454
6,213,345	B1		4/2001	Plank	221/46	D459,221	S		6/2002	Springer et al.	D9/416
6,278,545	B1		8/2001	Napier	359/440	D462,212	S		9/2002	Kureghian	D6/515
6,279,775	B1		8/2001	Parkes et al.	221/63	D463,976	S		10/2002	Sipinen et al.	D9/339
6,318,590	B1		11/2001	McMurray-Stivers	221/45	D472,141	S	*	3/2003	Buschkiel et al.	D9/416
6,366,401	B1		4/2002	Gonda et al.	359/440	2002/0000444	A1		1/2002	Bliss	220/628

* cited by examiner

FIG. 1

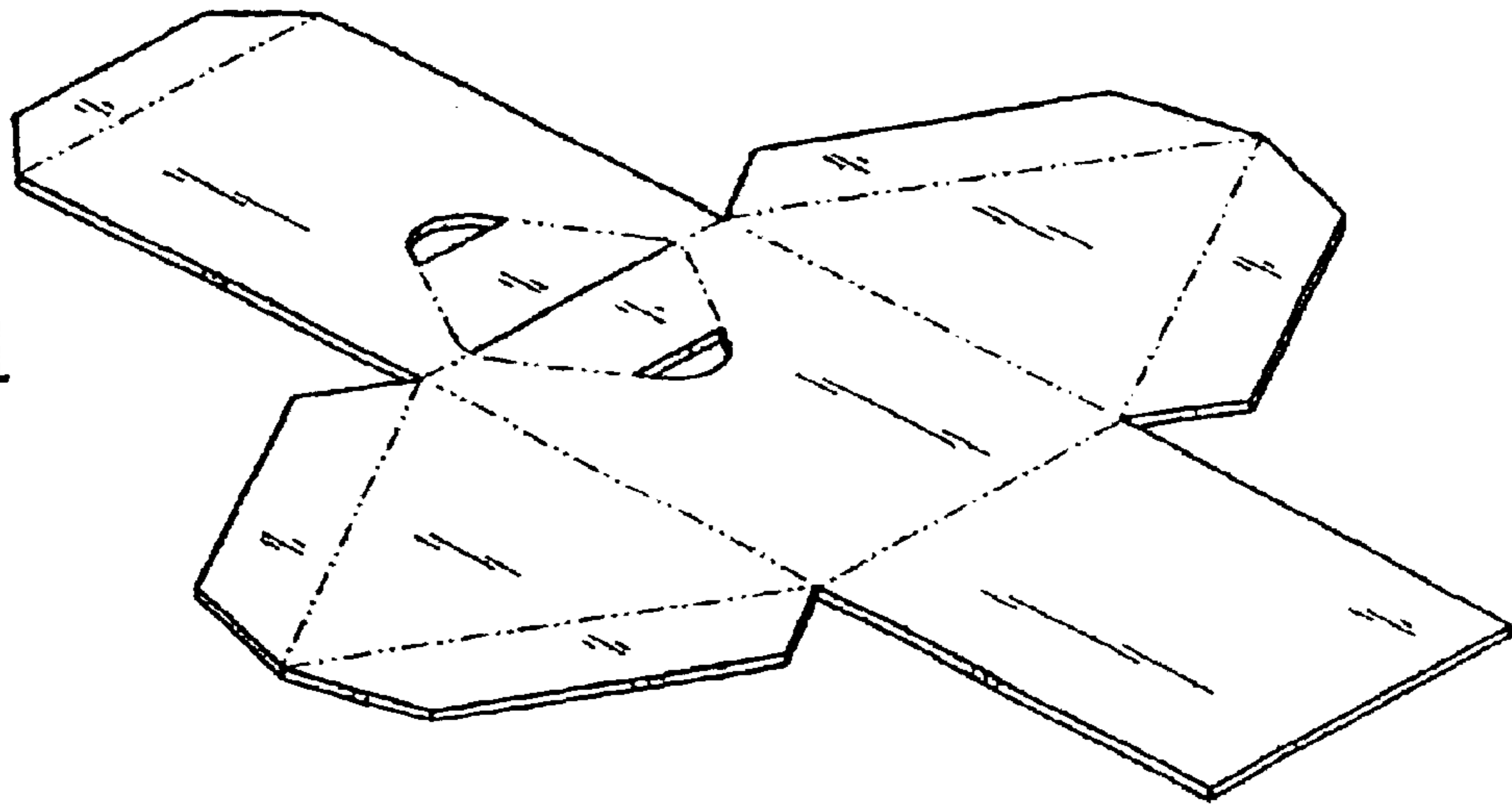


FIG. 3

FIG. 5

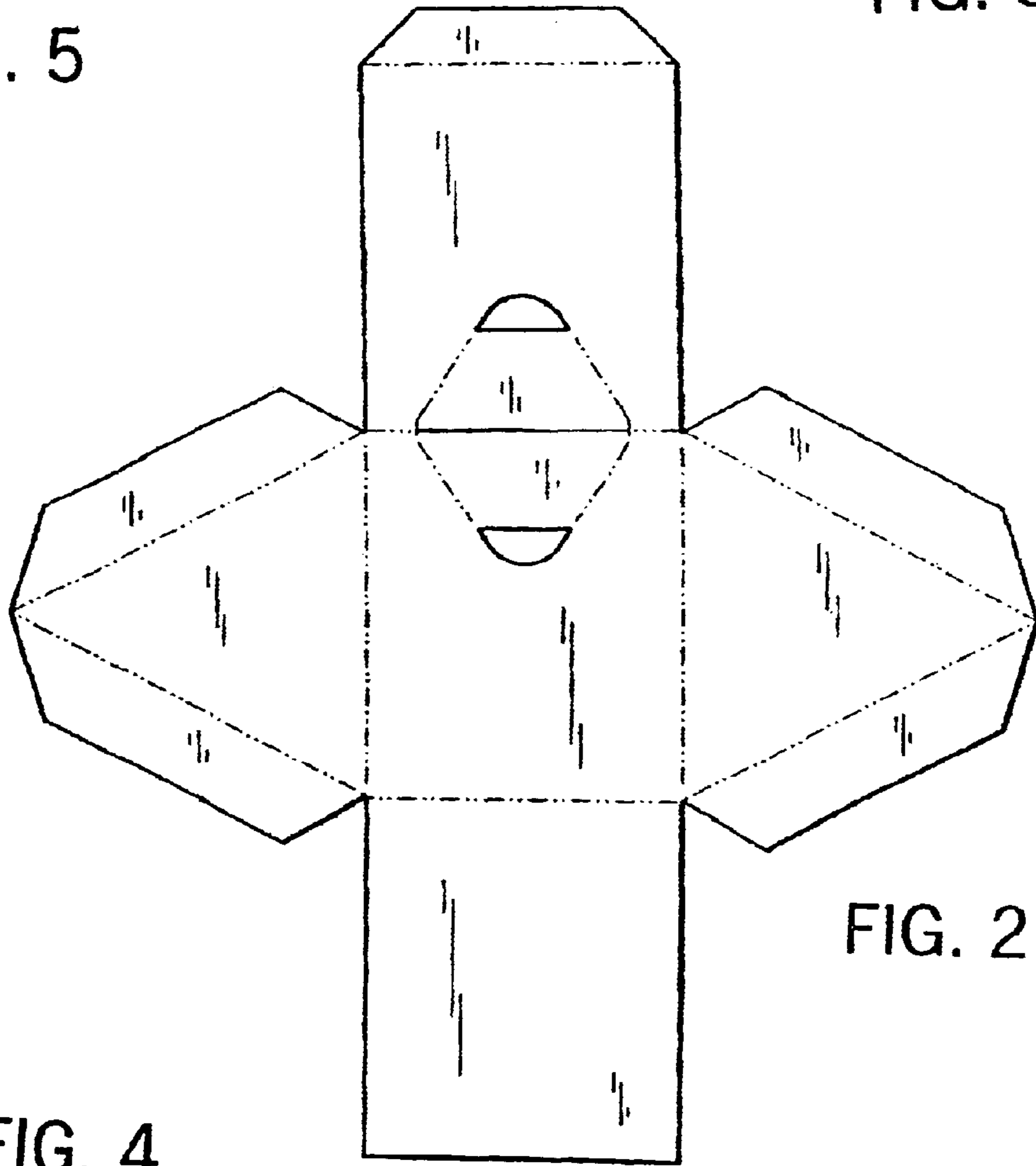


FIG. 2

FIG. 4

FIG. 6

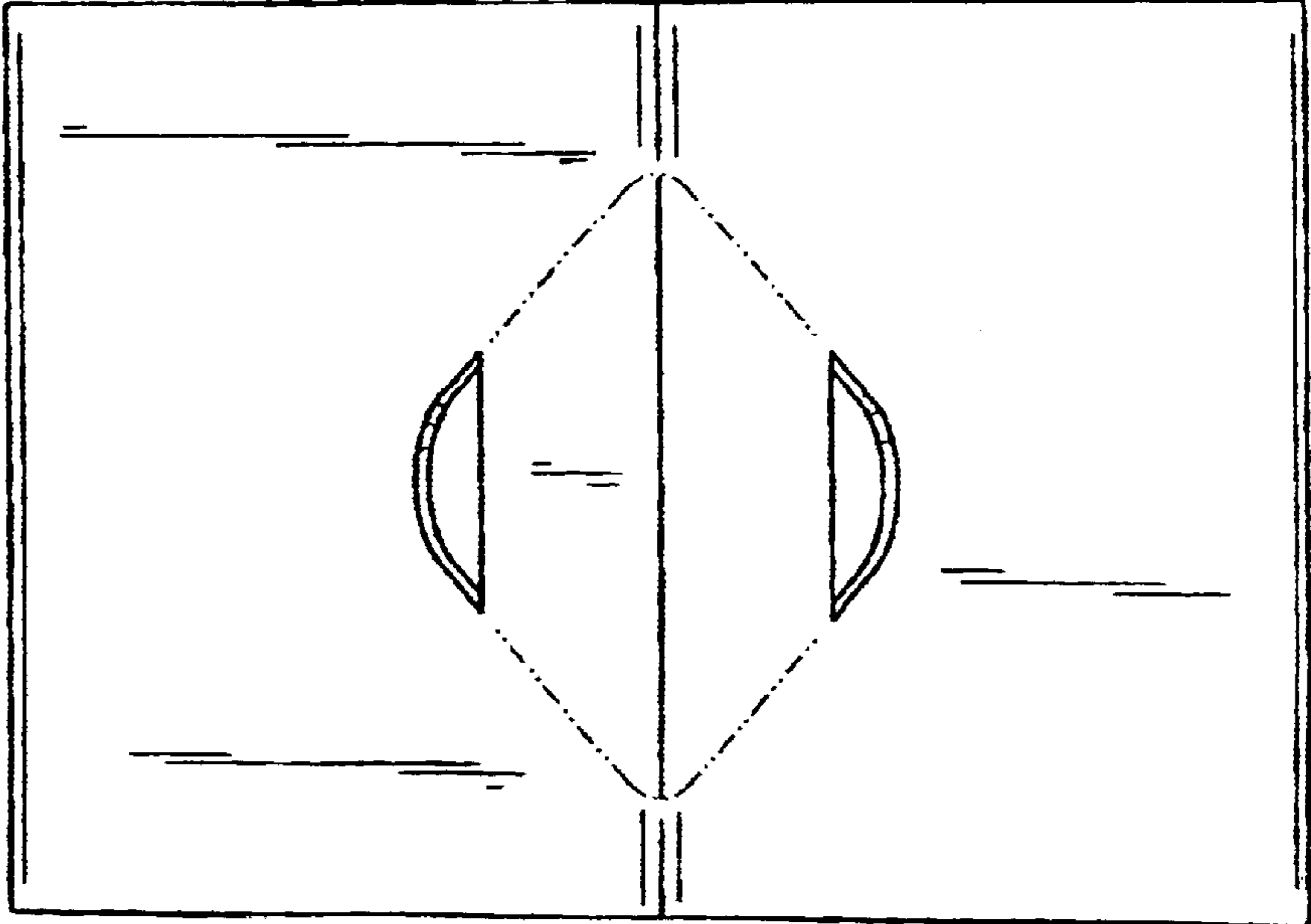
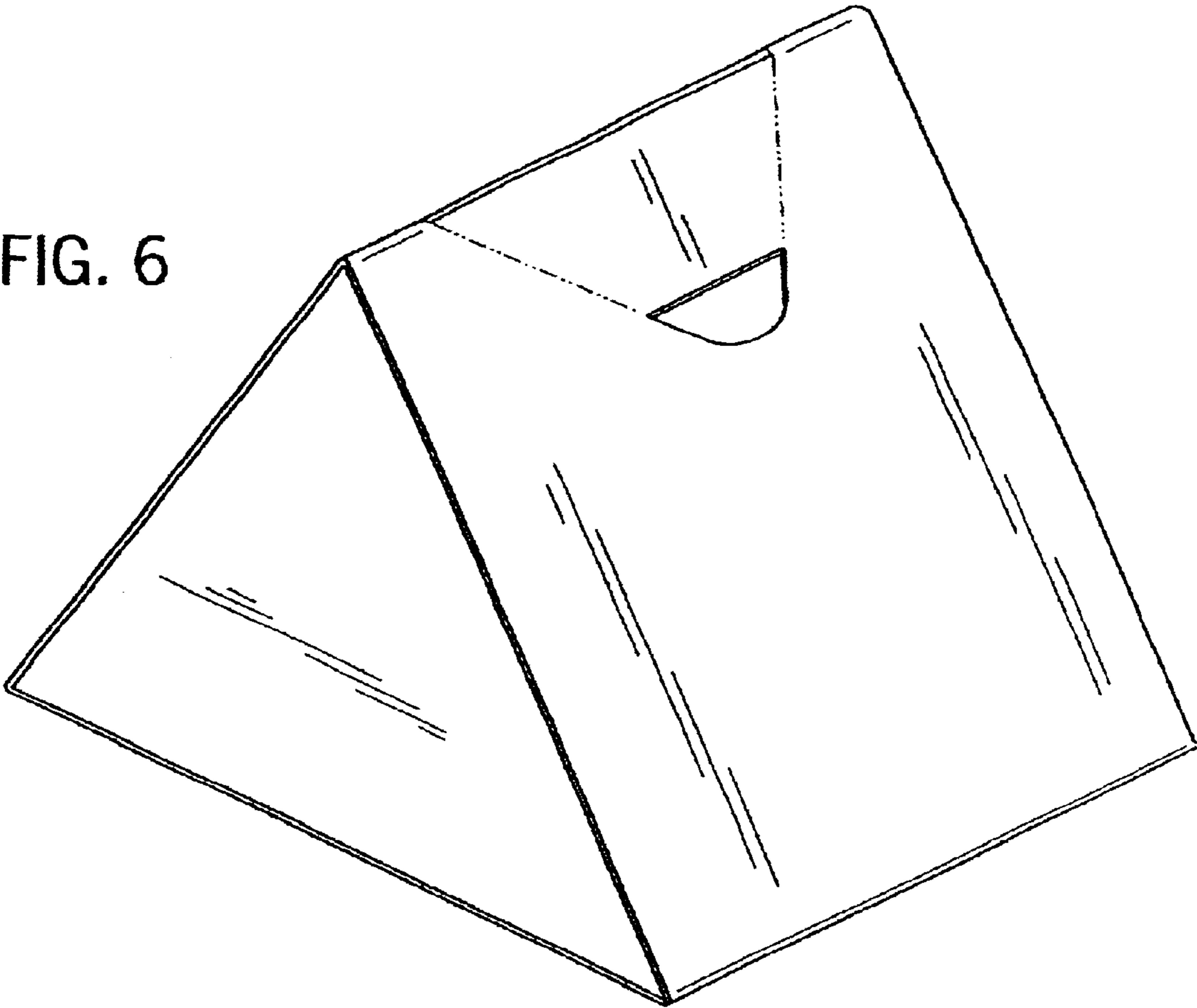


FIG. 7

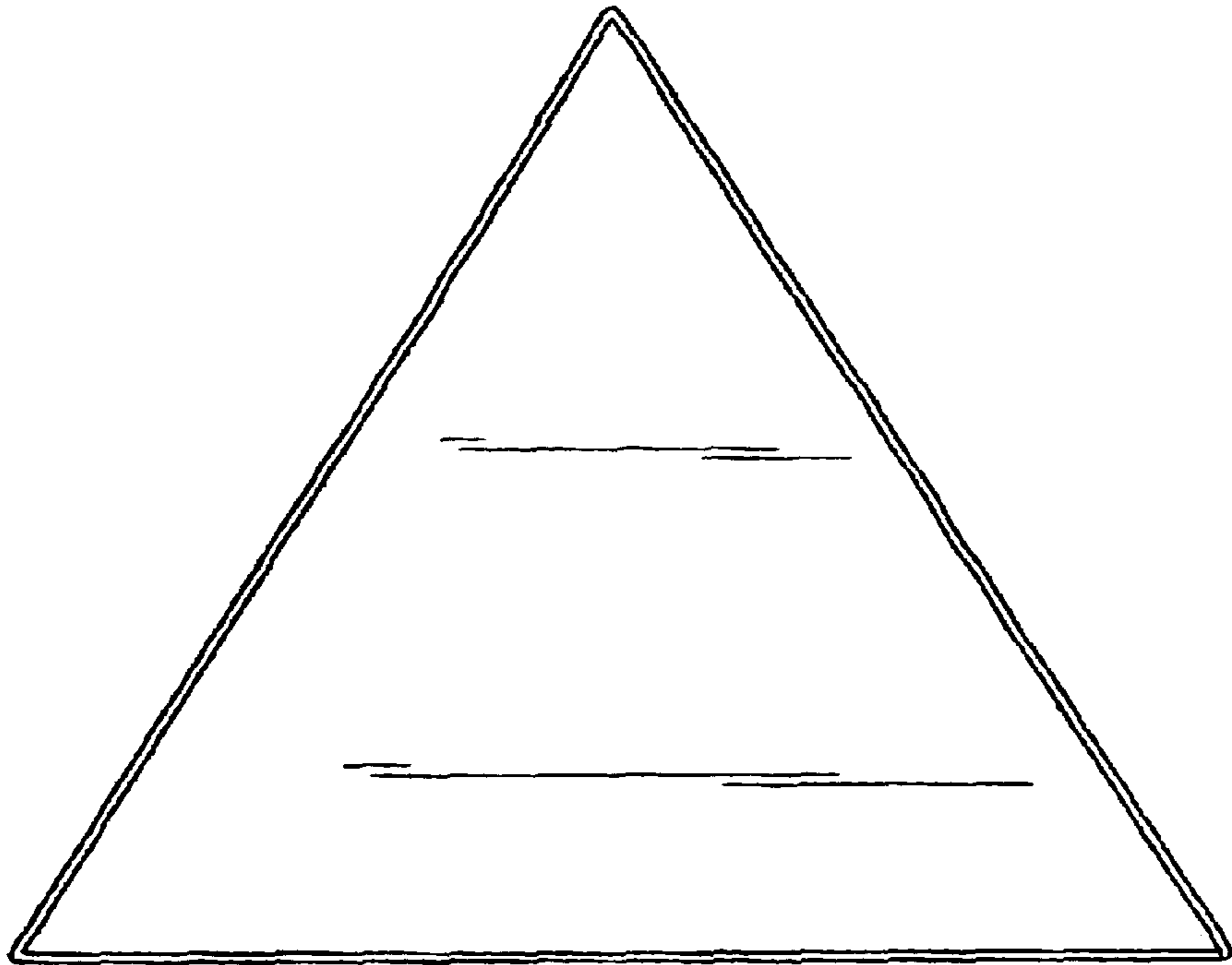


FIG. 8

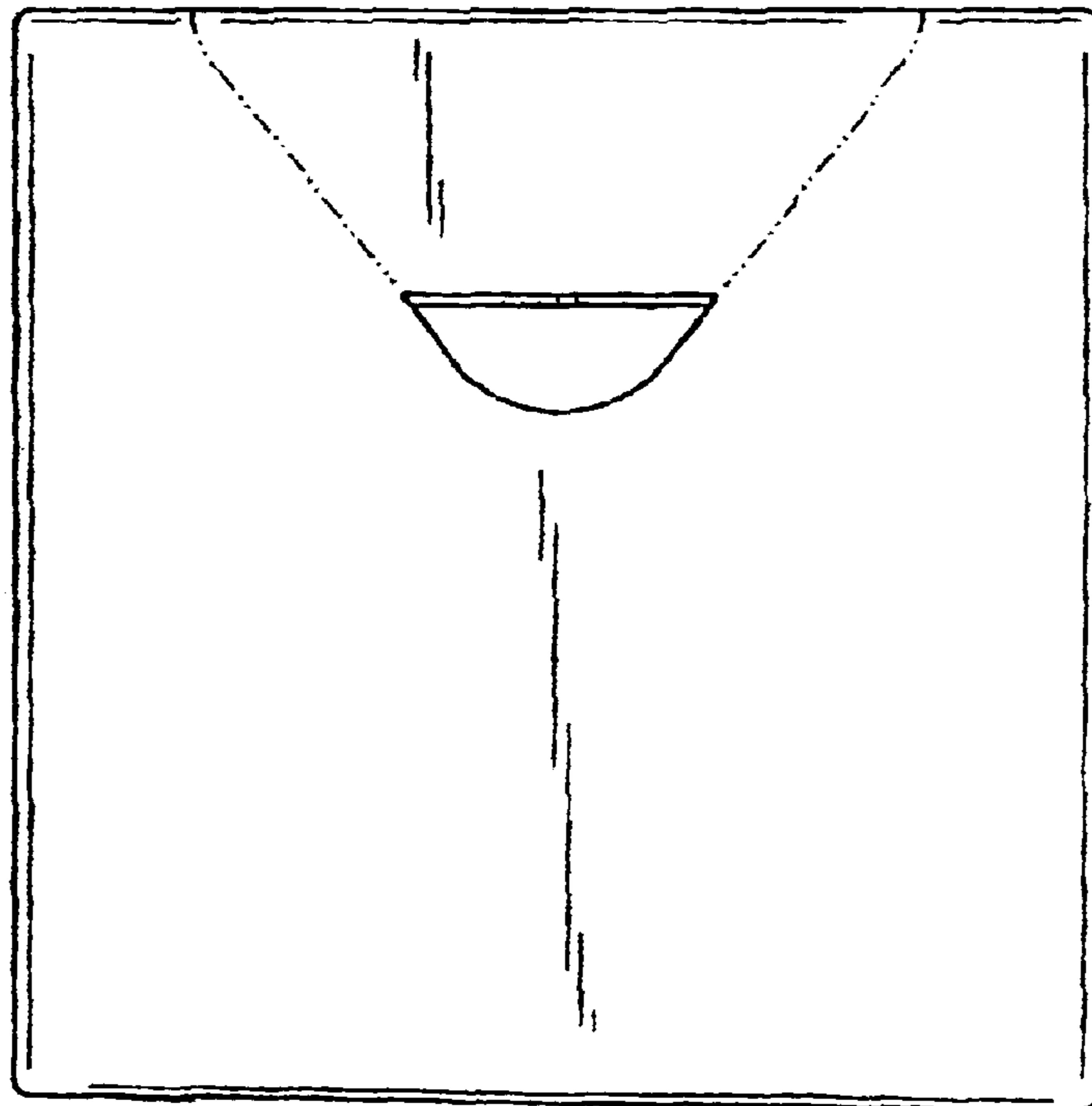


FIG. 9

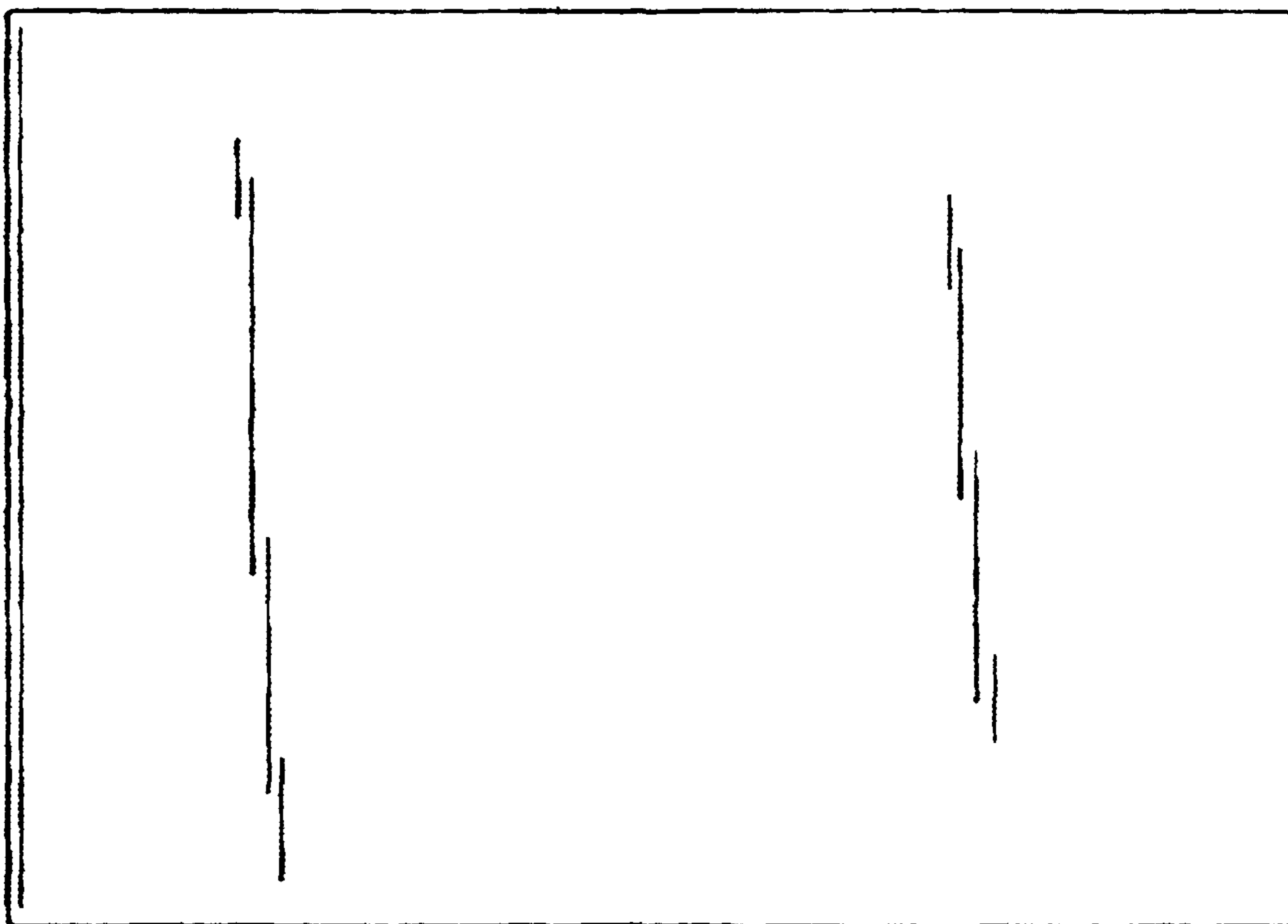


FIG. 10