

US00D494857S1

(12) **United States Design Patent**  
**Chen et al.**

(10) **Patent No.:** **US D494,857 S**

(45) **Date of Patent:** **\*\* Aug. 24, 2004**

(54) **CONTAINER**

D467,800 S 12/2002 Chen et al.  
D473,788 S 4/2003 Chen et al.  
D475,620 S 6/2003 Chen et al.

(75) Inventors: **Jeffrey Chen**, Woodbury, NY (US);  
**Corey Chen**, Brooklyn, NY (US)

\* cited by examiner

(73) Assignee: **Newspring Industrial Corp.**, Kearny,  
NJ (US)

*Primary Examiner*—Prabhakar Deshmukh  
*Assistant Examiner*—Daniel Bui

(\*\*) Term: **14 Years**

(74) *Attorney, Agent, or Firm*—Gibbons, Del Deo, Dolan,  
Griffinger & Vecchione

(21) Appl. No.: **29/177,202**

(57) **CLAIM**

(22) Filed: **Mar. 5, 2003**

The ornamental design for a container, as shown and  
described.

(51) **LOC (7) Cl.** ..... **09-03**

(52) **U.S. Cl.** ..... **D9/347; D9/424**

(58) **Field of Search** ..... D9/347, 348, 414,  
D9/424, 430–432, 499; 206/1.5, 527; 220/4.01,  
23.83, 500, 890; 229/406–407, 87.08; 426/106,  
129–130

**DESCRIPTION**

(56) **References Cited**

**U.S. PATENT DOCUMENTS**

D235,499 S	*	6/1975	Day	.....	D7/553.3
D253,628 S	*	12/1979	Adamson	.....	D7/553.2
D260,604 S	*	9/1981	Otto	.....	D9/347
D263,023 S	*	2/1982	Commisso	.....	D9/347
D269,854 S	*	7/1983	Commisso	.....	D9/347
D280,060 S	*	8/1985	Holzkopf	.....	D7/553.2
D305,409 S	*	1/1990	Michaud et al.	.....	D9/425
D379,301 S	*	5/1997	Lippincott	.....	D9/347
D415,420 S		10/1999	Chen et al.		
6,056,138 A		5/2000	Chen et al.		
D439,159 S		3/2001	Chen et al.		
6,196,404 B1		3/2001	Chen et al.		
D451,018 S		11/2001	Chen et al.		

FIG. 1 is a top perspective view of a container, including a base and a lid, according to the present invention; FIG. 2 is a top perspective view of the lid for the container; FIG. 3 is the top plan view of the lid for the container; FIG. 4 is a bottom plan view of the lid for the container; FIG. 5 is the front side view of the lid for the container; FIG. 6 is a left side view of the lid for the container; FIG. 7 is a right side view of the lid for the container; FIG. 8 is a top perspective view of the base for the container; FIG. 9 is a top plan view of the base for the container; FIG. 10 is a bottom plan view of the base for the container; FIG. 11 is a left side view of the base for the container; FIG. 12 is a right side view of the base for the container; and, FIG. 13 is a front side view of the base for the container. It being understood that the lid and base have been shown separately for clarity as FIGS. 2–7 and FIGS. 8–13 respectively.

**1 Claim, 9 Drawing Sheets**

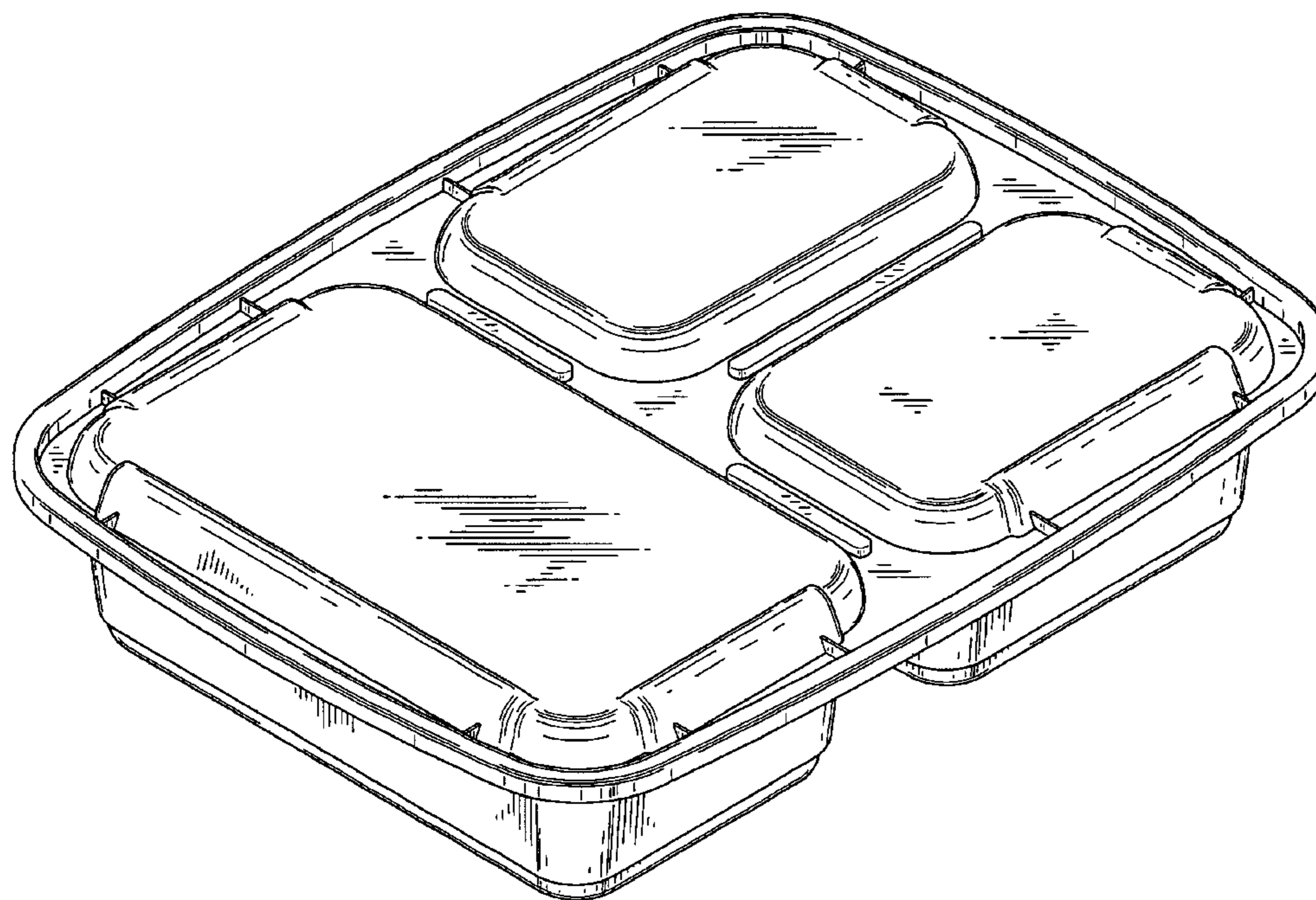


FIG. 1

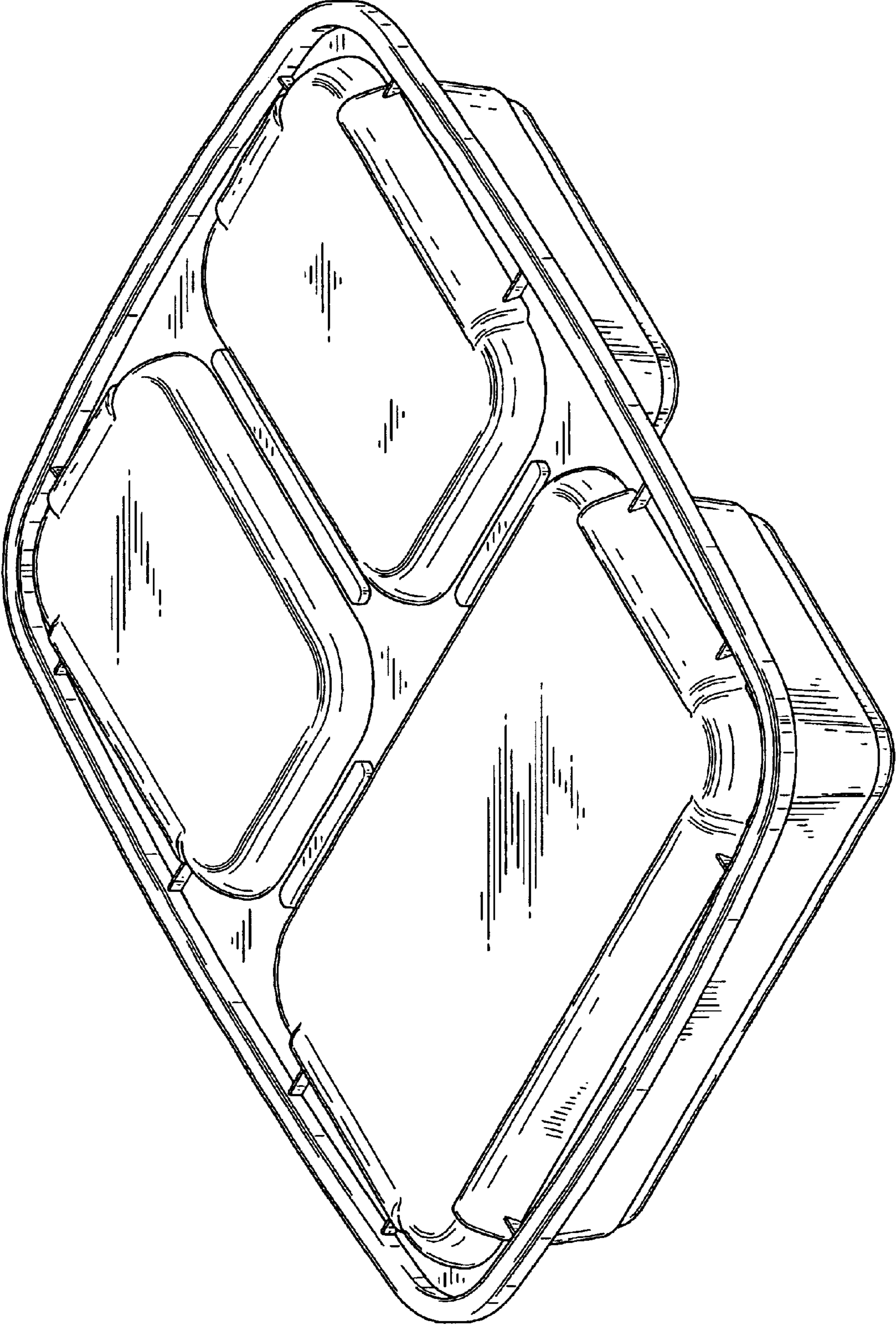


FIG. 2

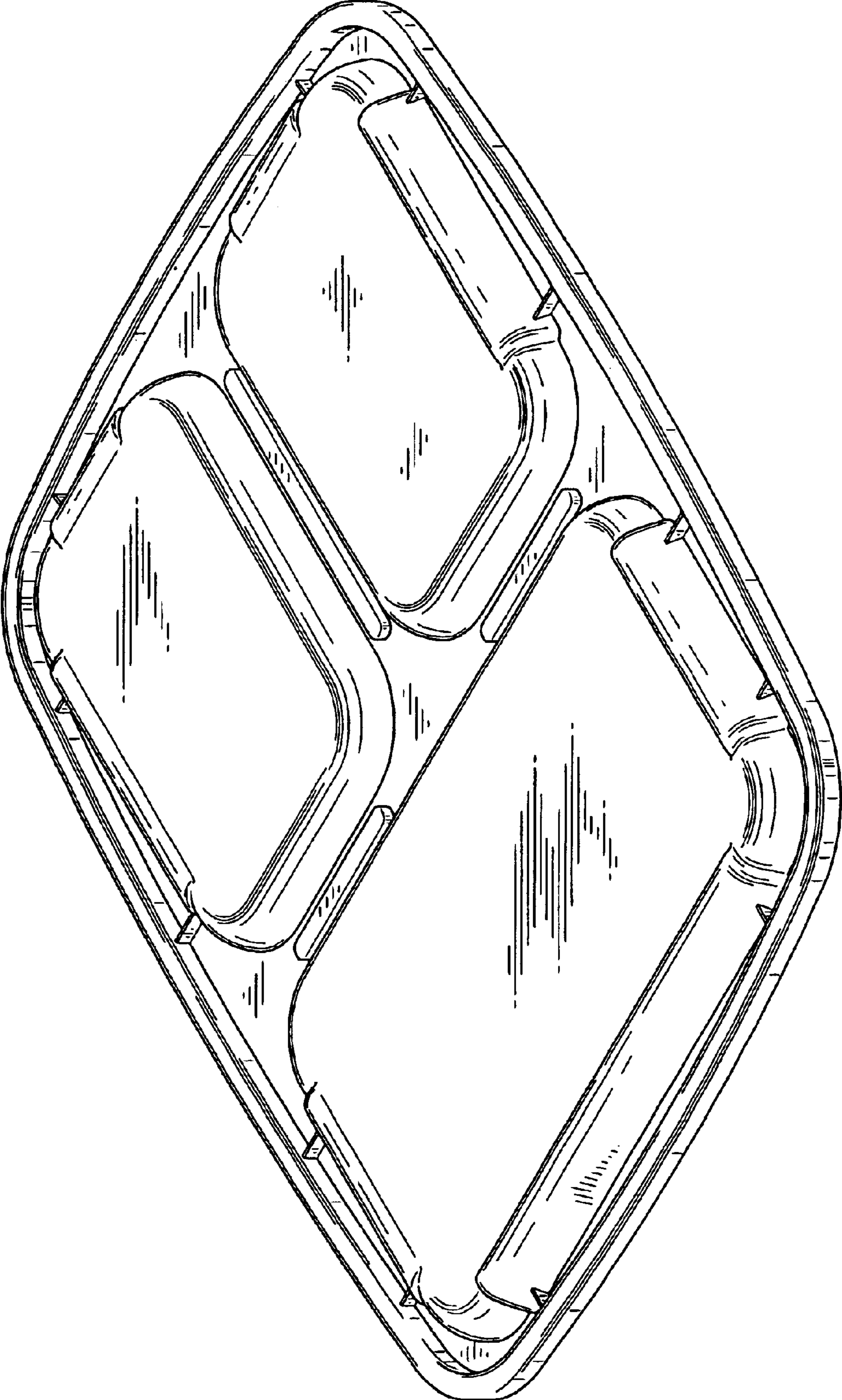


FIG. 3

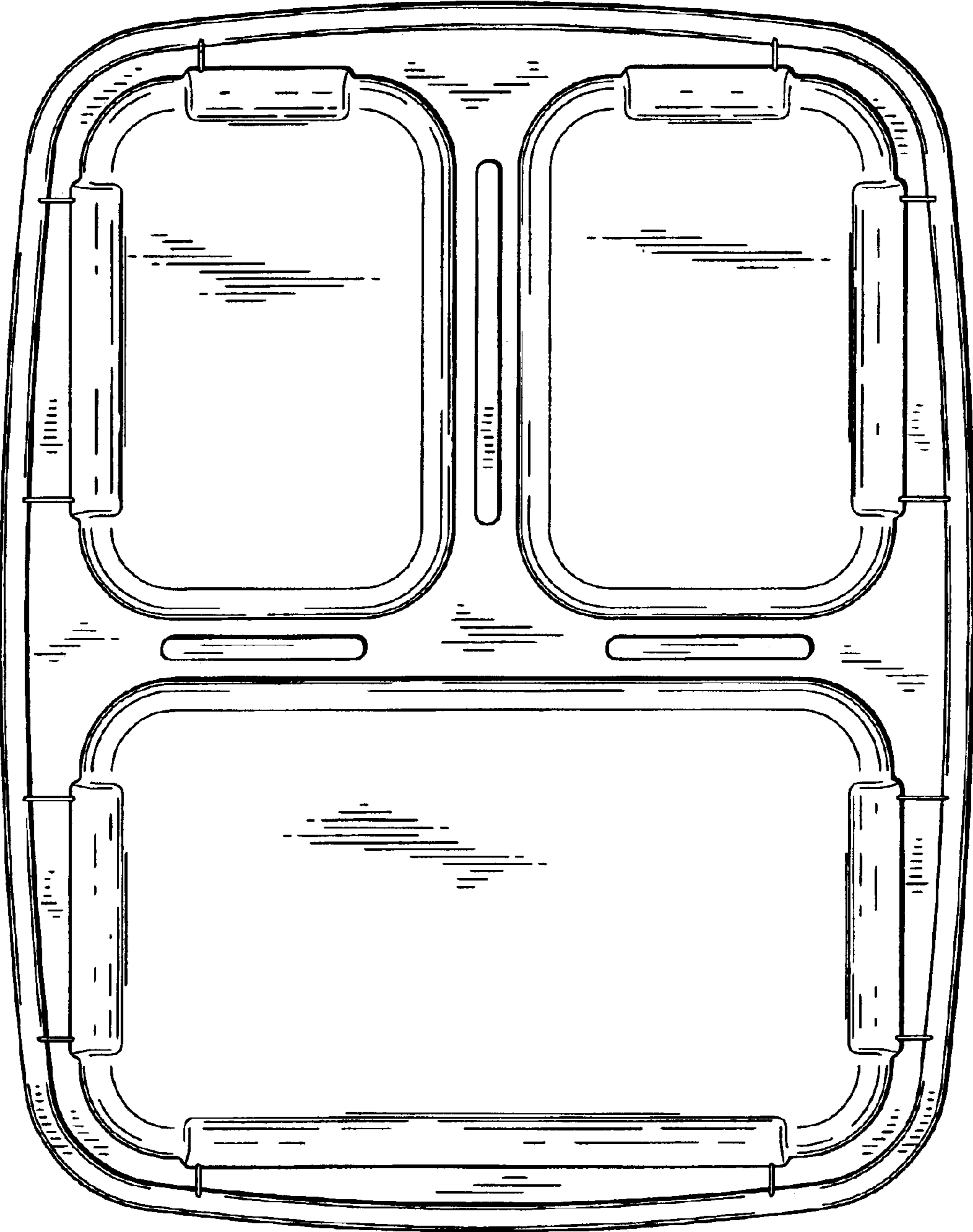


FIG. 4

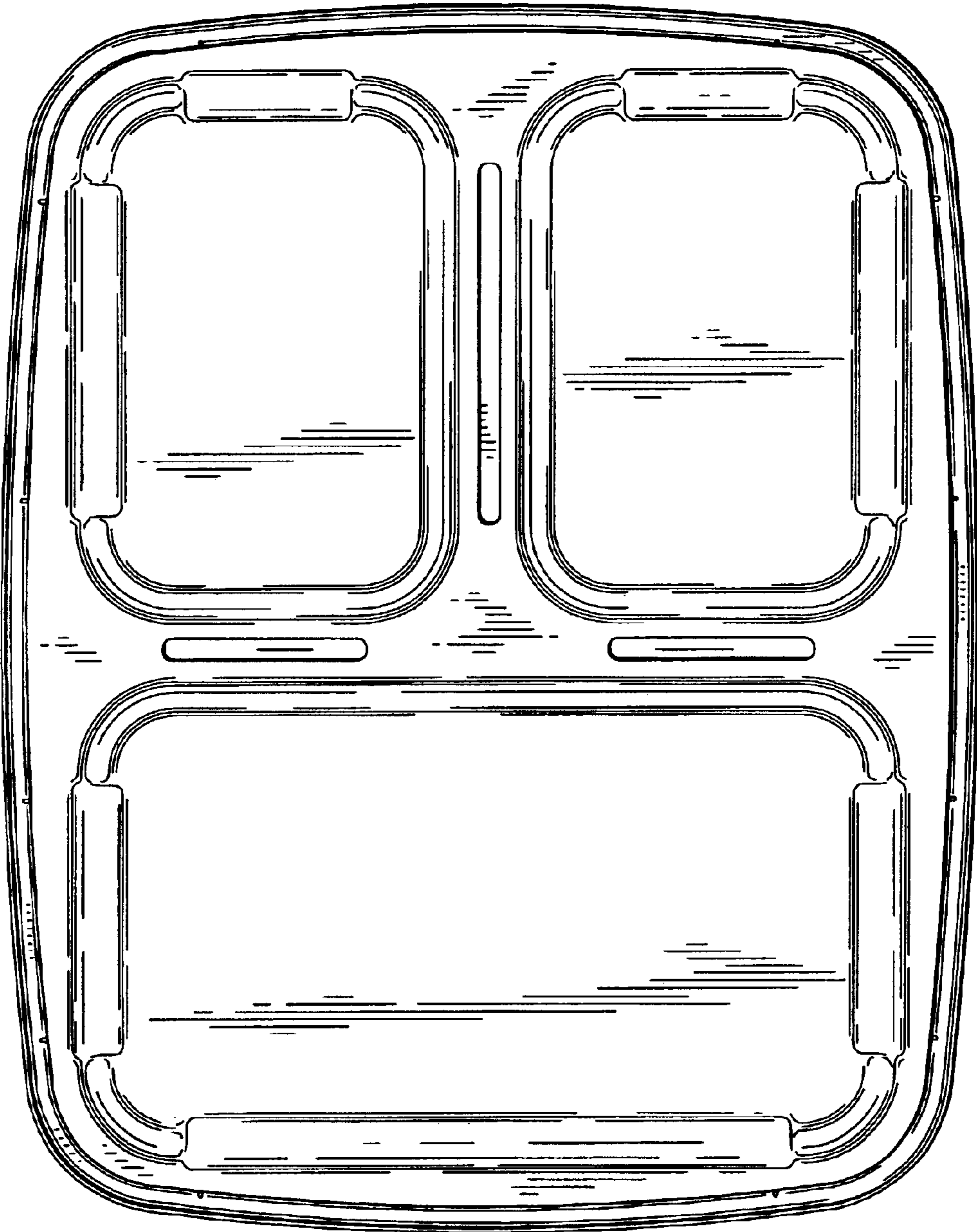


FIG. 5

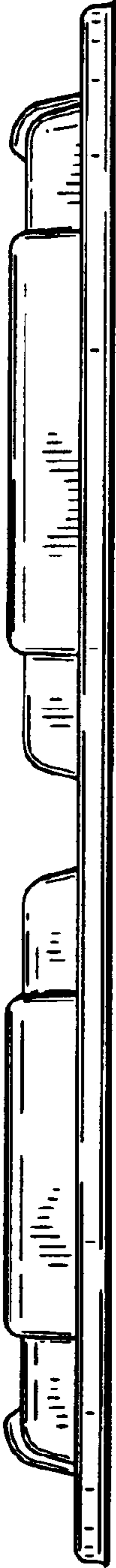


FIG. 6

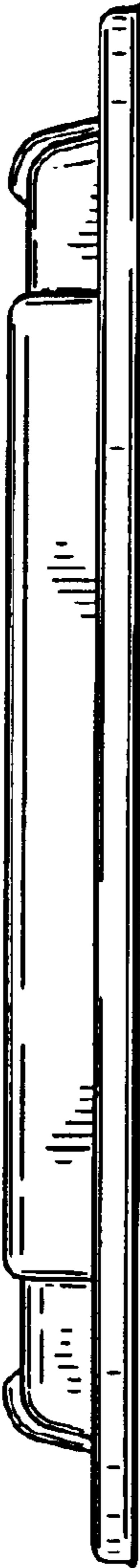


FIG. 7



FIG. 8

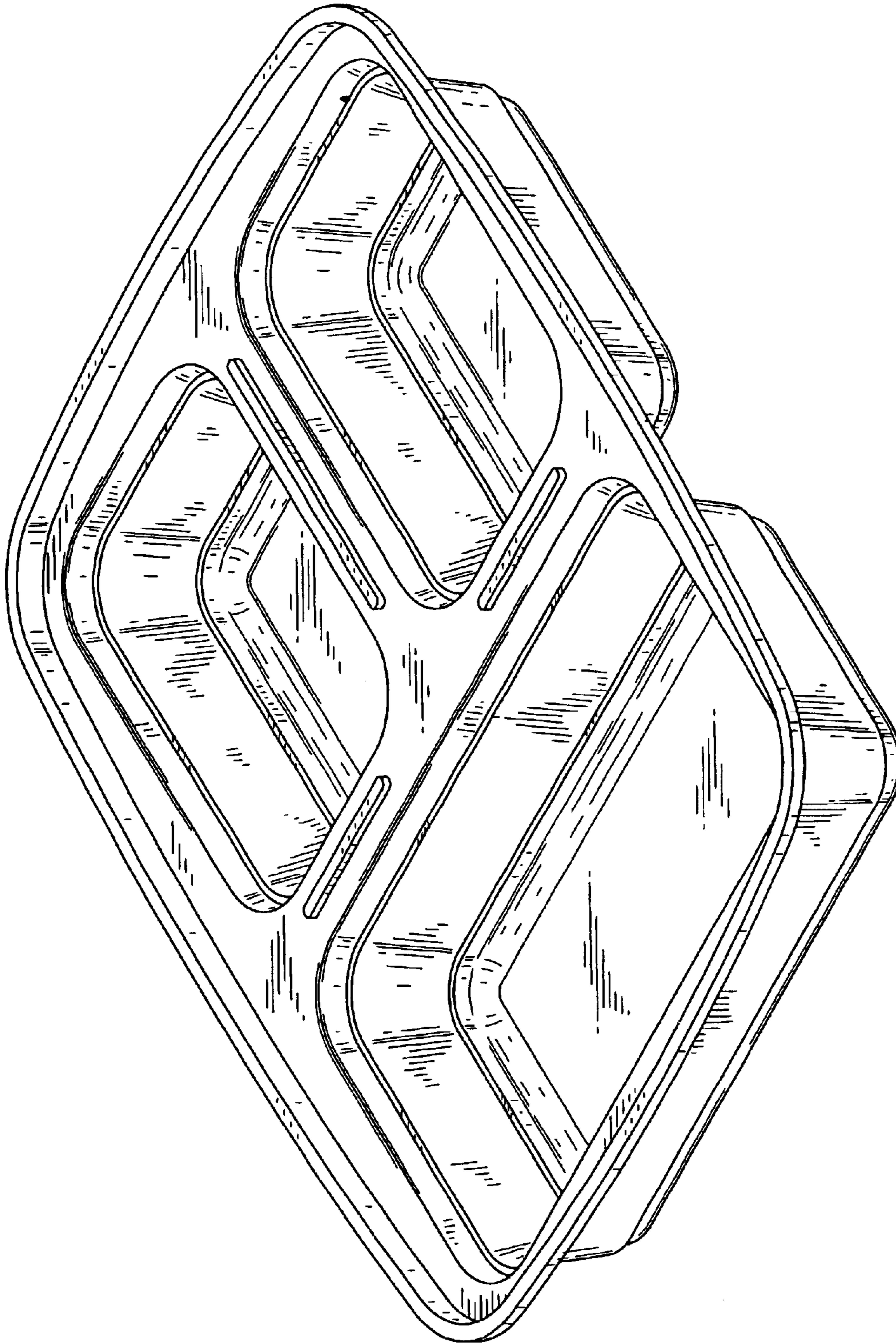


FIG. 9

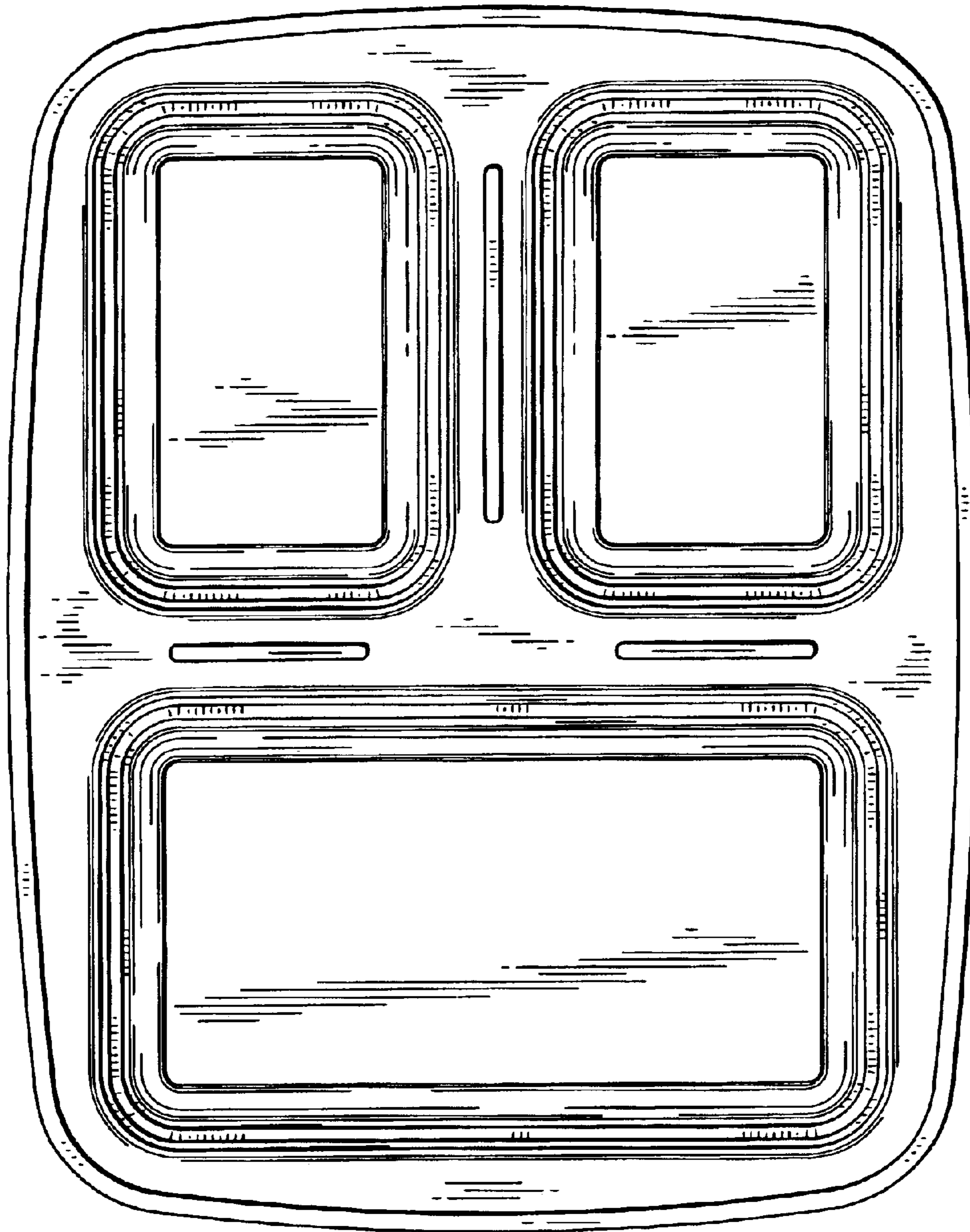




FIG. 10

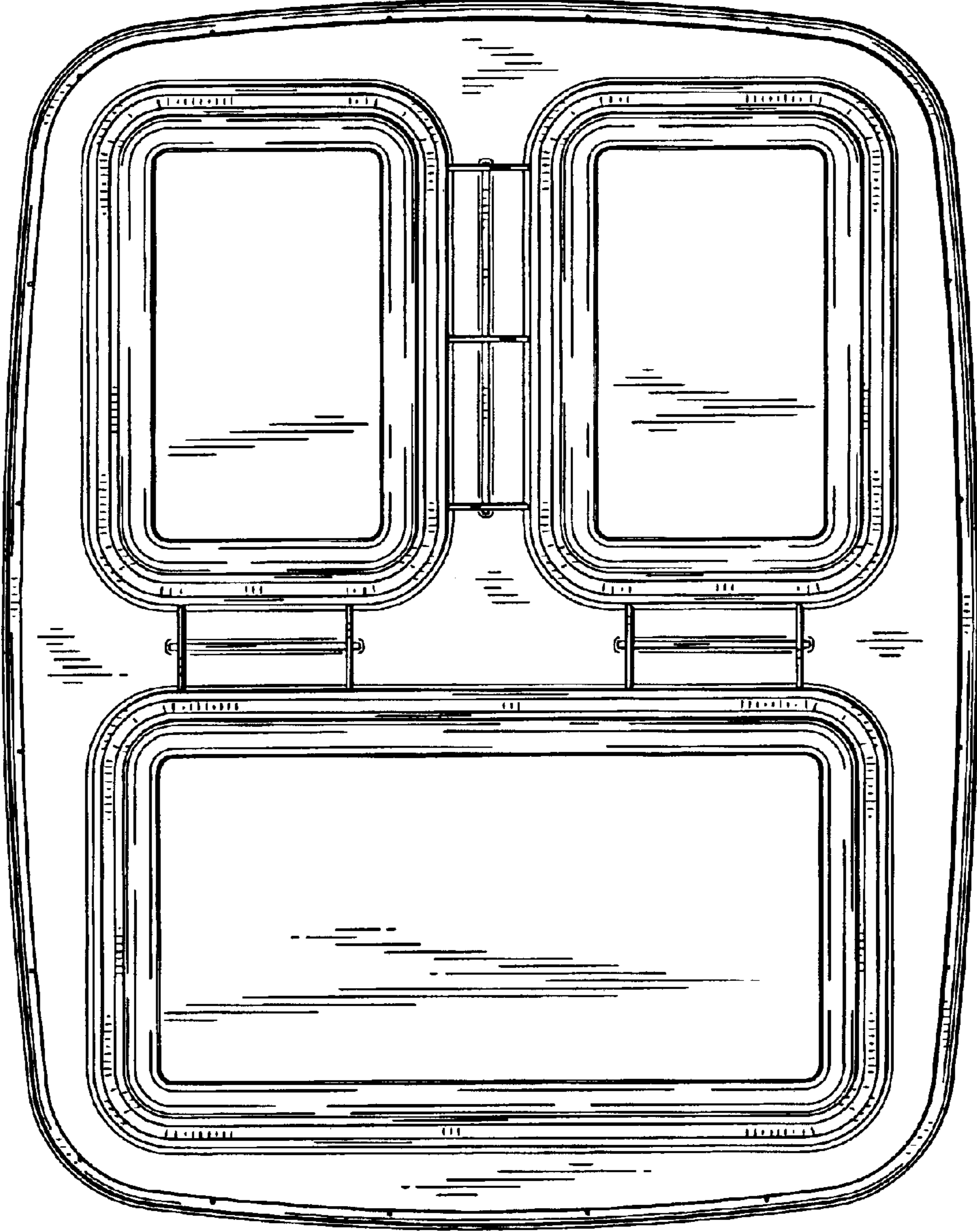


FIG. 11

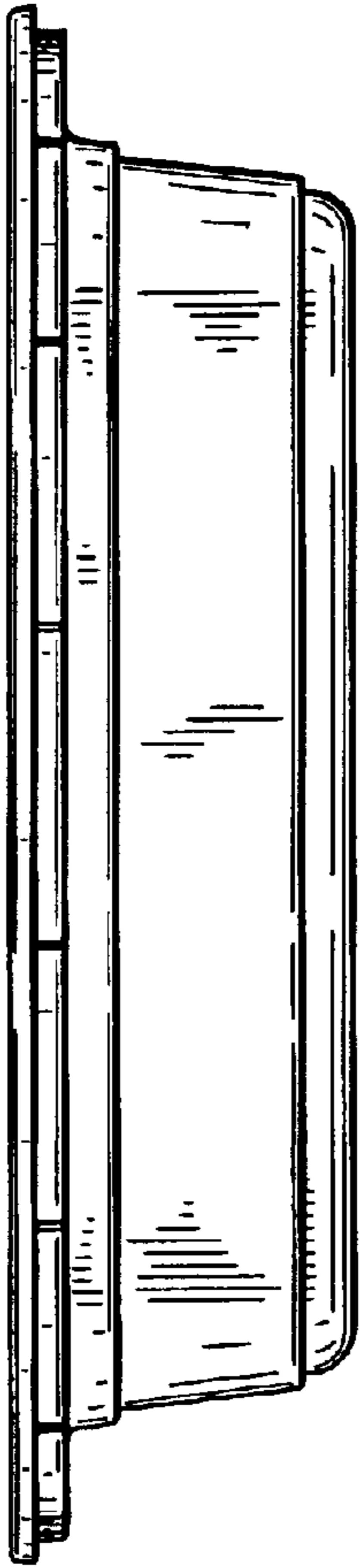


FIG. 12

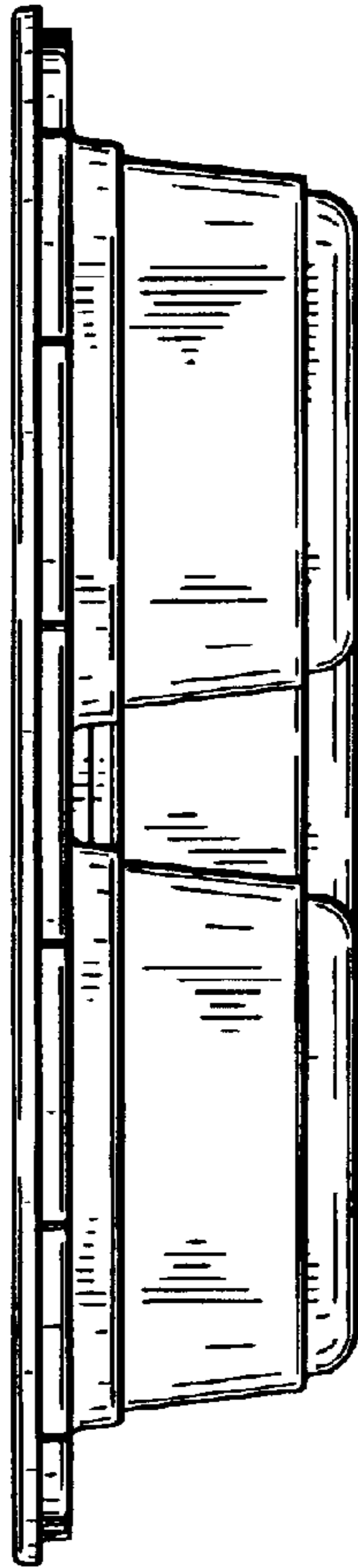


FIG. 13

