

US00D494852S1

(12) **United States Design Patent** (10) **Patent No.:** **US D494,852 S**
Meador et al. (45) **Date of Patent:** **** Aug. 24, 2004**

(54) **SCENTED FLEXIBLE BAG WITH PRESSURE-SENSITIVE ADHESIVE STRIP FOR DISPOSAL OF FEMININE HYGIENE PRODUCTS**

4,605,403 A 8/1986 Tucker
 4,890,936 A * 1/1990 Cooper 383/109
 5,040,685 A * 8/1991 Focke et al. 229/87.05
 5,156,289 A 10/1992 Goof
 D346,737 S 5/1994 Dufresne
 5,358,499 A 10/1994 Seidy
 6,705,465 B2 * 3/2004 Ling et al. 206/440

(76) Inventors: **Gloria L. Meador**, 4782 Canoga St., Apt. 1, Montclair, CA (US) 91763;
Raymond L. Meador, 4782 Canoga St., Apt. 1, Montclair, CA (US) 91763

* cited by examiner

(**) Term: **14 Years**

Primary Examiner—Paula A. Greene
 (74) *Attorney, Agent, or Firm*—Donald R. Schoonover

(21) Appl. No.: **29/191,978**

(57) **CLAIM**

(22) Filed: **Oct. 17, 2003**

We claim the ornamental design for a scented flexible bag with pressure-sensitive adhesive strip for disposal of feminine hygiene products, as shown and described.

(51) **LOC (7) Cl.** **09-05**

(52) **U.S. Cl.** **D9/305**

(58) **Field of Search** D9/305, 306; 383/11, 383/84, 86, 93, 109, 111, 113, 122; 206/216, 455, 494, 522, 440; 229/87.05; 604/408; D19/1-3; 426/123

DESCRIPTION

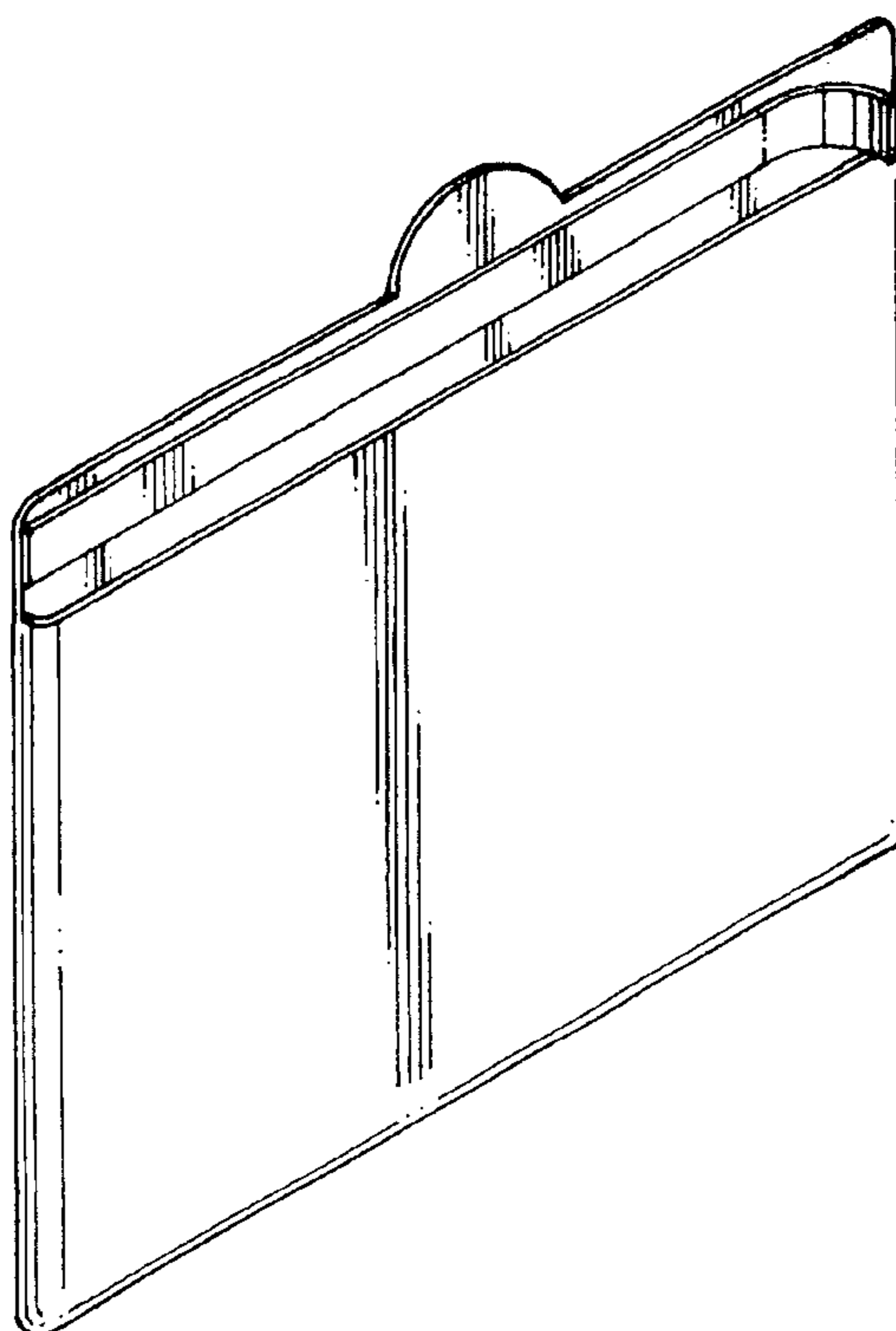
FIG. 1 is a perspective view of a scented flexible bag with pressure-sensitive adhesive strip for disposal of feminine hygiene products showing our new design;
 FIG. 2 is a front elevational view thereof;
 FIG. 3 is a rear elevational view thereof;
 FIG. 4 is a right side elevational view thereof, the left side elevational view being a mirror image thereof;
 FIG. 5 is a top plan view thereof, the bottom plan view being identical thereto; and,
 FIG. 6 is a bottom plan view thereof.

(56) **References Cited**

U.S. PATENT DOCUMENTS

907,875 A 12/1908 Pritchard
 2,483,636 A * 10/1949 Hardesty 604/408
 3,536,501 A * 10/1970 Work 426/123
 3,557,853 A * 1/1971 Jones 383/86
 3,604,423 A 9/1971 Fraser
 3,771,254 A 11/1973 Scott et al.

1 Claim, 3 Drawing Sheets



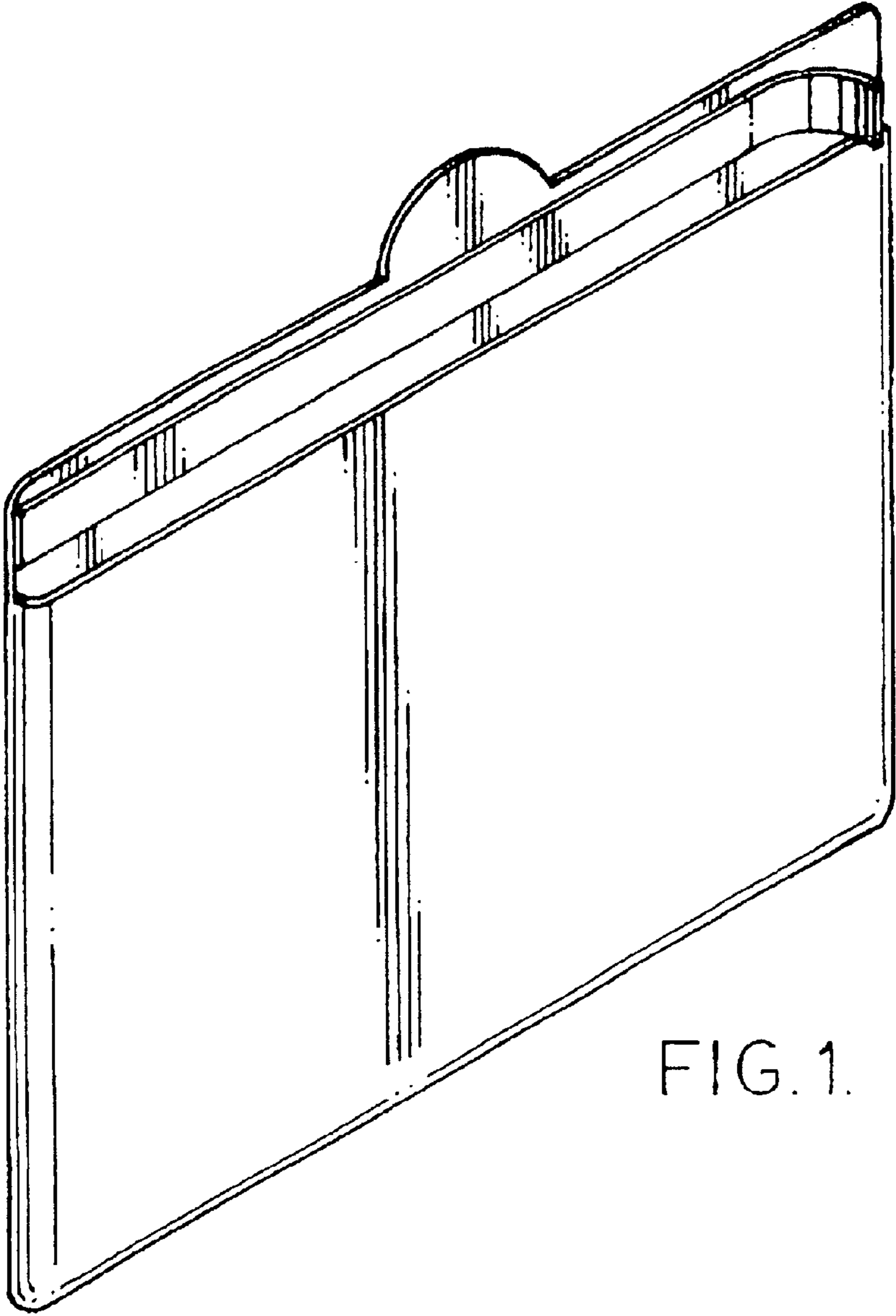


FIG. 1.

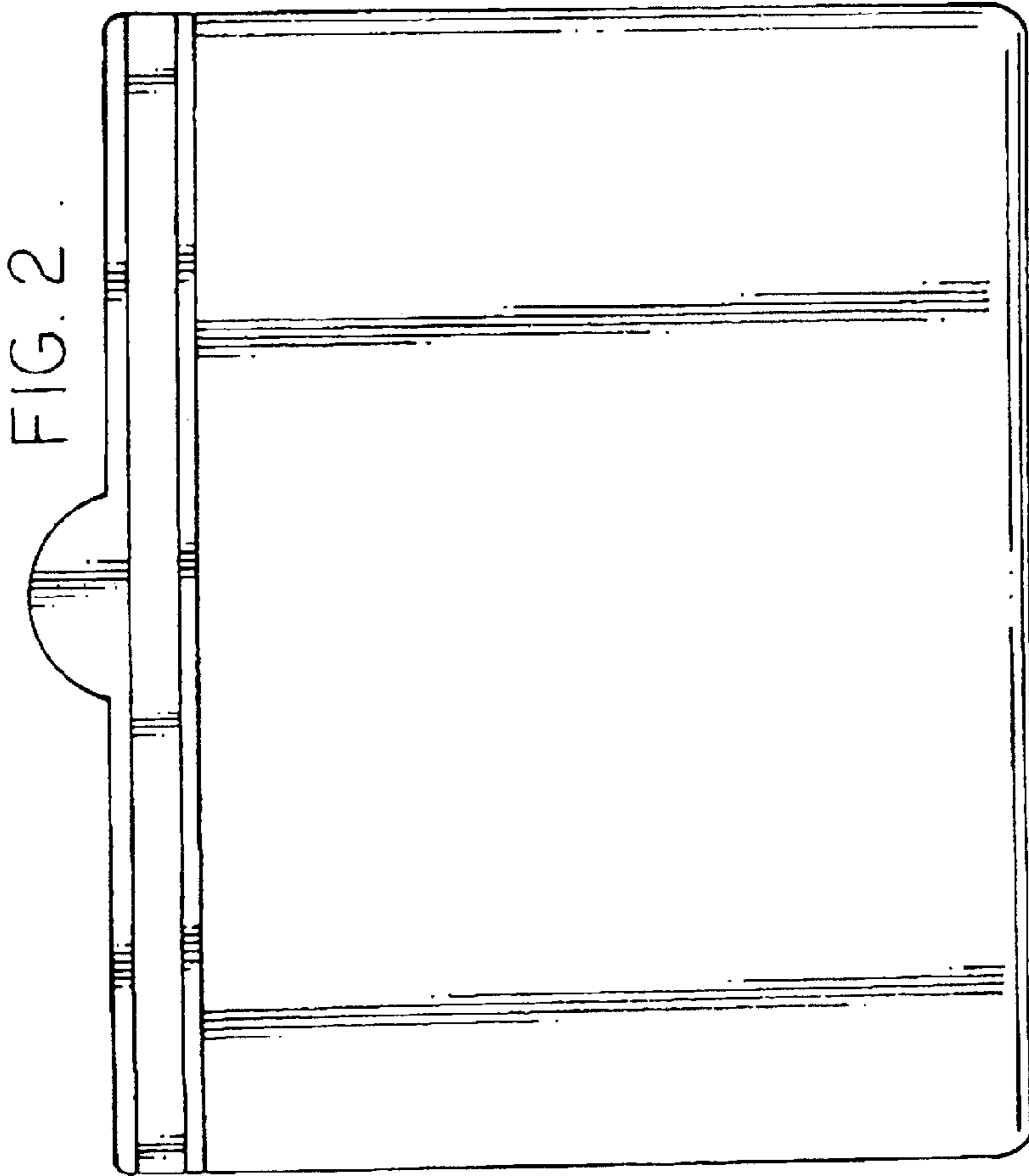


FIG. 2.

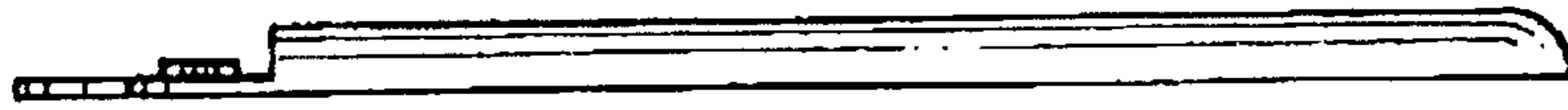


FIG. 4.



FIG. 5.

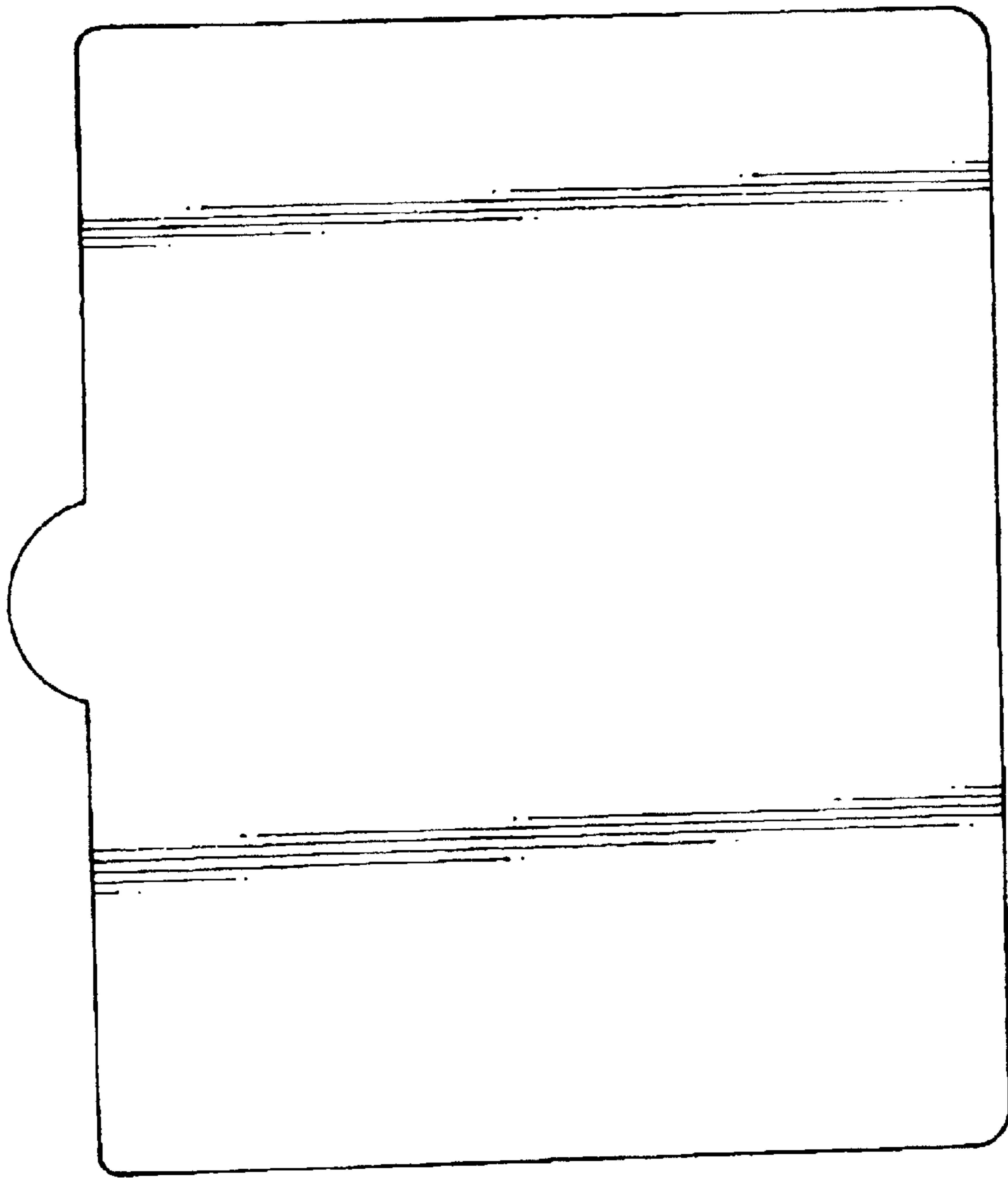


FIG. 3.

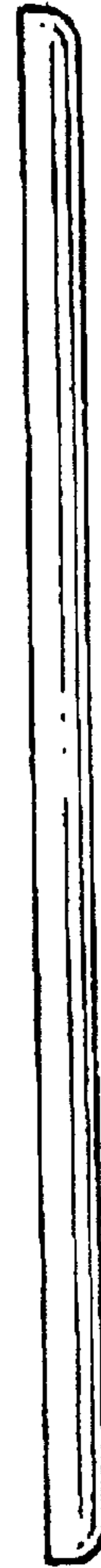


FIG. 6.