

US00D494850S1

(12) **United States Design Patent**
Braun et al.

(10) **Patent No.:** **US D494,850 S**
(45) **Date of Patent:** **** Aug. 24, 2004**

(54) **WINDOW OPERATOR COVER**
(75) Inventors: **Peter Braun**, Faribault, MN (US);
Brian Dallmann, Owatonna, MN (US)
(73) Assignee: **Truth Hardware**, Owatonna, MN (US)
(**) Term: **14 Years**

D459,193 S 6/2002 Vande Steeg et al.
D459,982 S 7/2002 Vande Steeg et al.
D476,882 S * 7/2003 Gledhill et al. D8/400
6,640,389 B2 11/2003 Van Klompenburg et al.

* cited by examiner

Primary Examiner—Brian N. Vinson
(74) *Attorney, Agent, or Firm*—Patterson, Thuente, Skaar & Christensen, P.A.

(21) Appl. No.: **29/167,854**
(22) Filed: **Sep. 23, 2002**

(57) **CLAIM**

The ornamental design for a window operator cover, as shown.

(51) **LOC (7) Cl.** **08-09**
(52) **U.S. Cl.** **D8/400**
(58) **Field of Search** D8/400; 49/460,
49/342, 341; 74/545, 547; 292/336.3, 347,
356, 357, 210, DIG. 33, DIG. 31, DIG. 20

DESCRIPTION

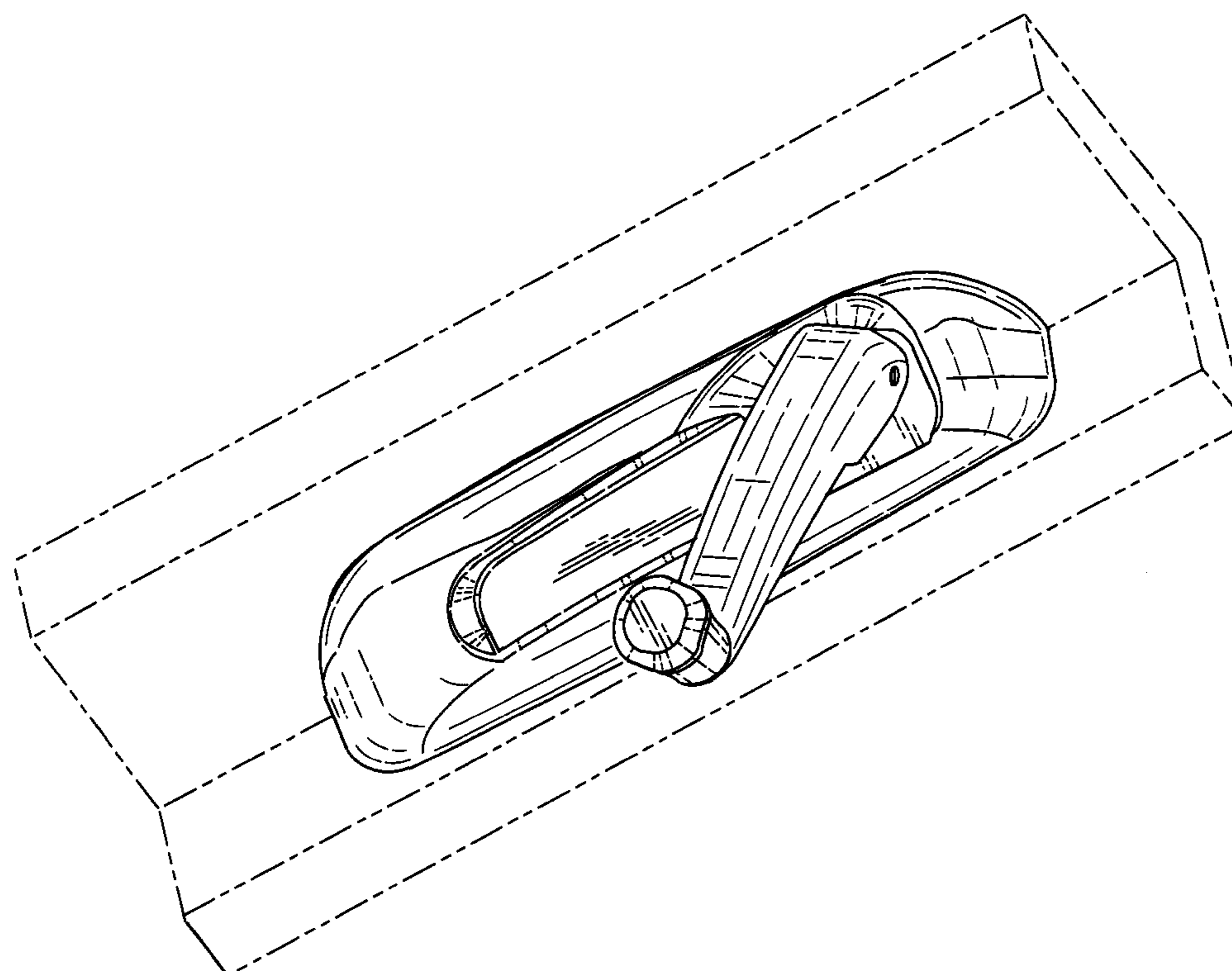
FIG. 1 is a perspective view of the window operator cover with the handle aligned and folded into the cover;
FIG. 2 is a perspective view of the window operator cover with the handle not aligned and folded into the cover;
FIG. 3 is a side perspective view of the window operator cover without the handle present;
FIG. 4 is a top perspective view of the window operator cover without the handle present;
FIG. 5 is a bottom perspective view of the window operator cover; and,
FIG. 6 is an end perspective view of the window operator cover.

The broken-line disclosure of a portion of a window in the views is for illustrative purposes only and forms no part of the claimed design.

(56) **References Cited**
U.S. PATENT DOCUMENTS

D347,569 S	6/1994	Vetter et al.	
D350,666 S	9/1994	Wobschall et al.	
D361,490 S	8/1995	Vetter	
5,467,503 A	11/1995	Nolte et al.	
5,560,082 A	10/1996	Vetter	
D390,454 S	2/1998	Vetter et al.	D8/400
D390,777 S	* 2/1998	Peterson et al.	D8/400
5,740,632 A	* 4/1998	Peterson et al.	49/460
D418,050 S	12/1999	Lisiecki et al.	
6,164,156 A	12/2000	Purcell	
D450,237 S	11/2001	Vande Steeg et al.	D8/400
D451,781 S	12/2001	Vande Steeg et al.	D8/309
D452,999 S	1/2002	Vande Steeg et al.	

1 Claim, 3 Drawing Sheets



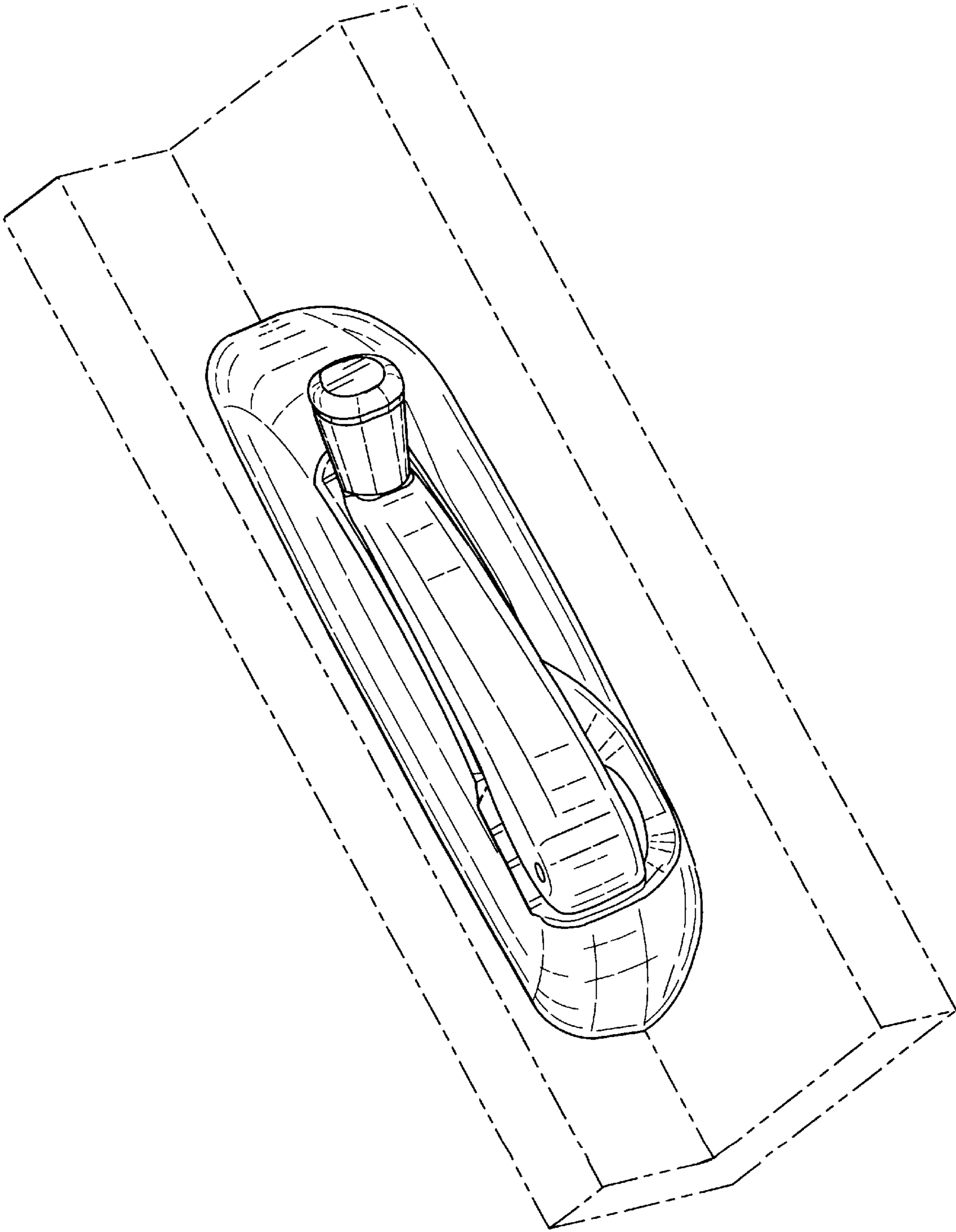


FIG. 1

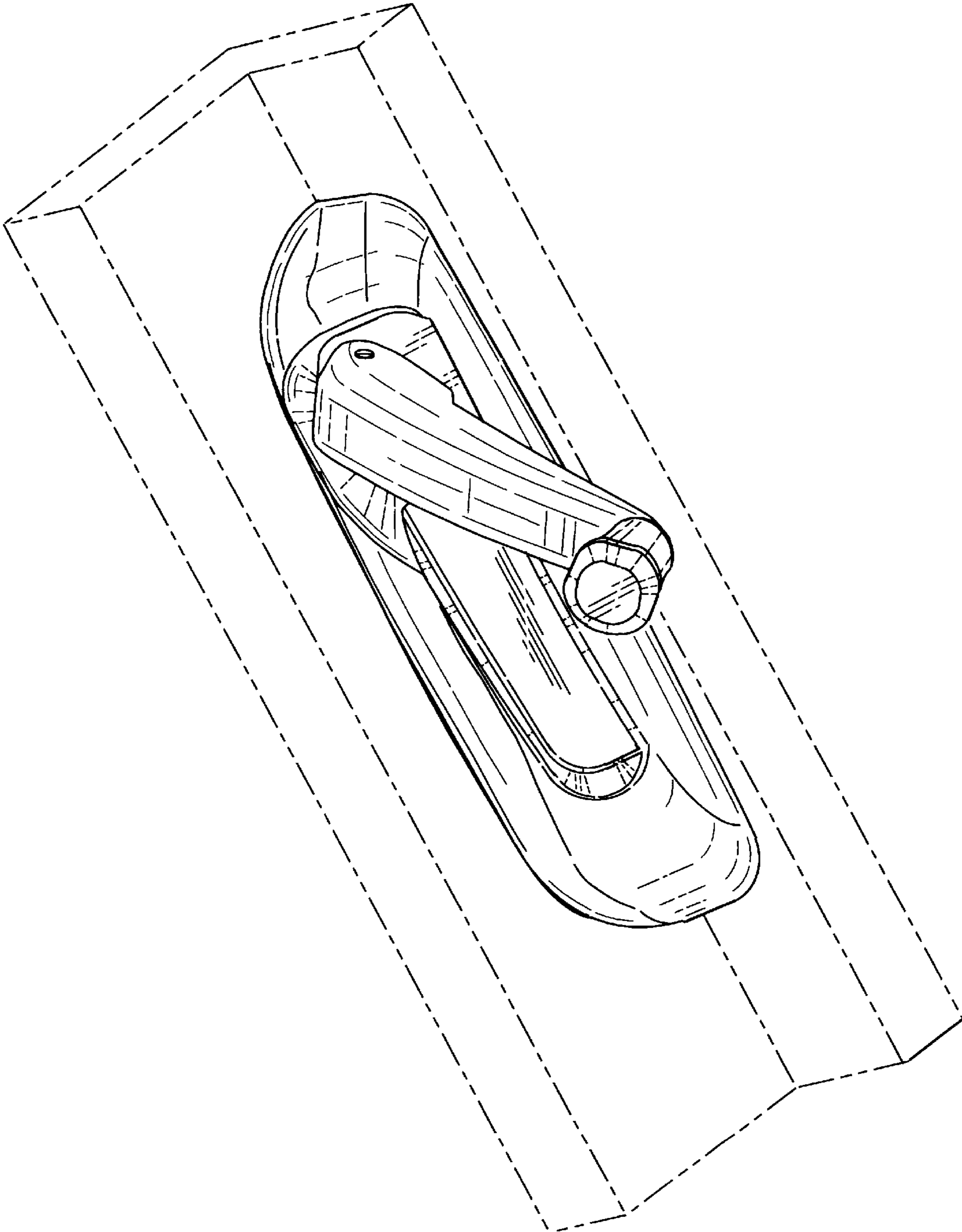


FIG. 2

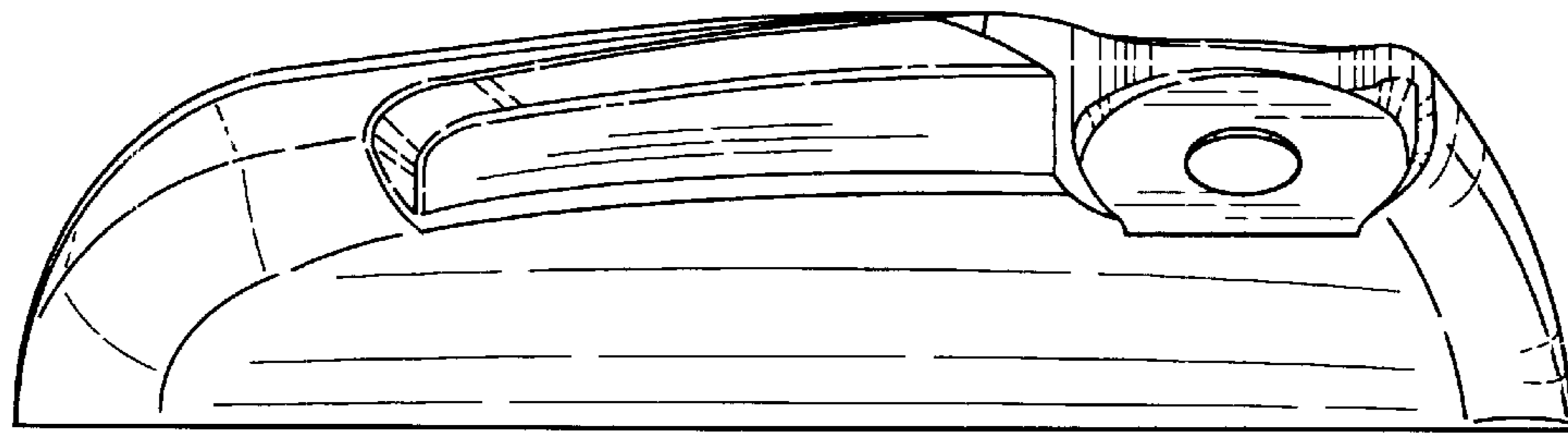


FIG. 3

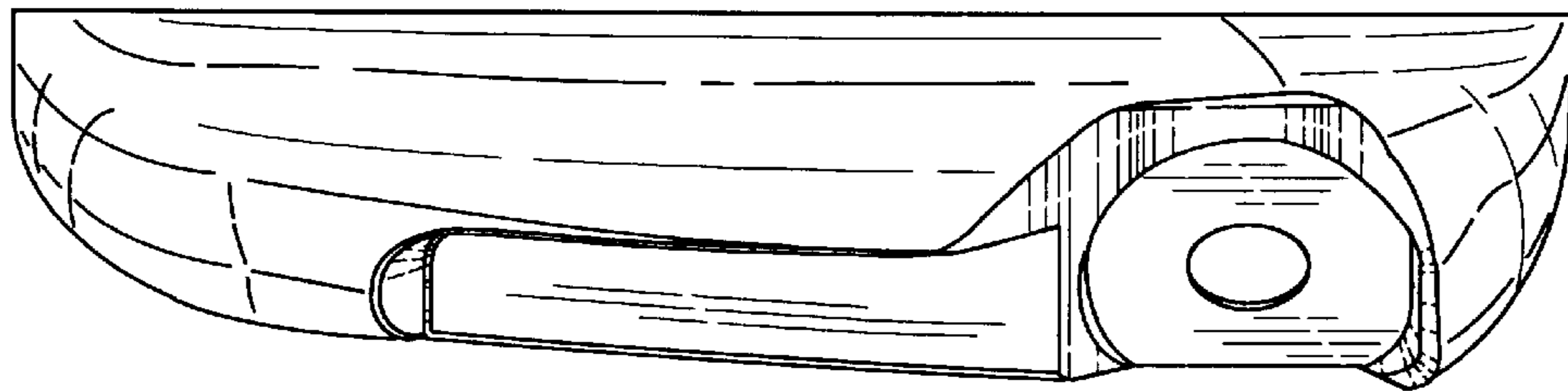


FIG. 4

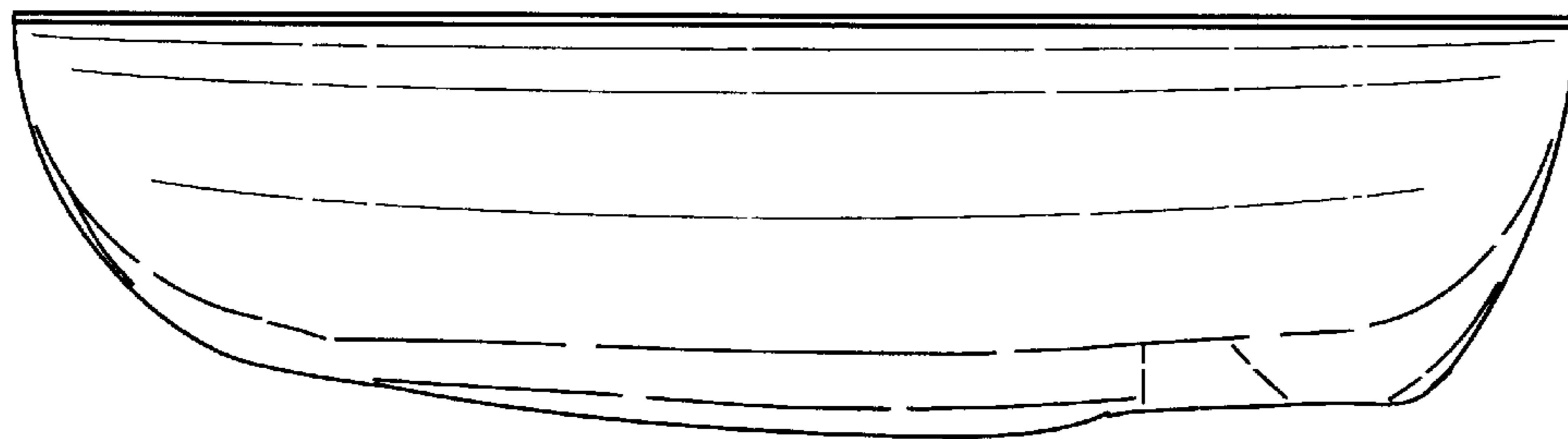


FIG. 5

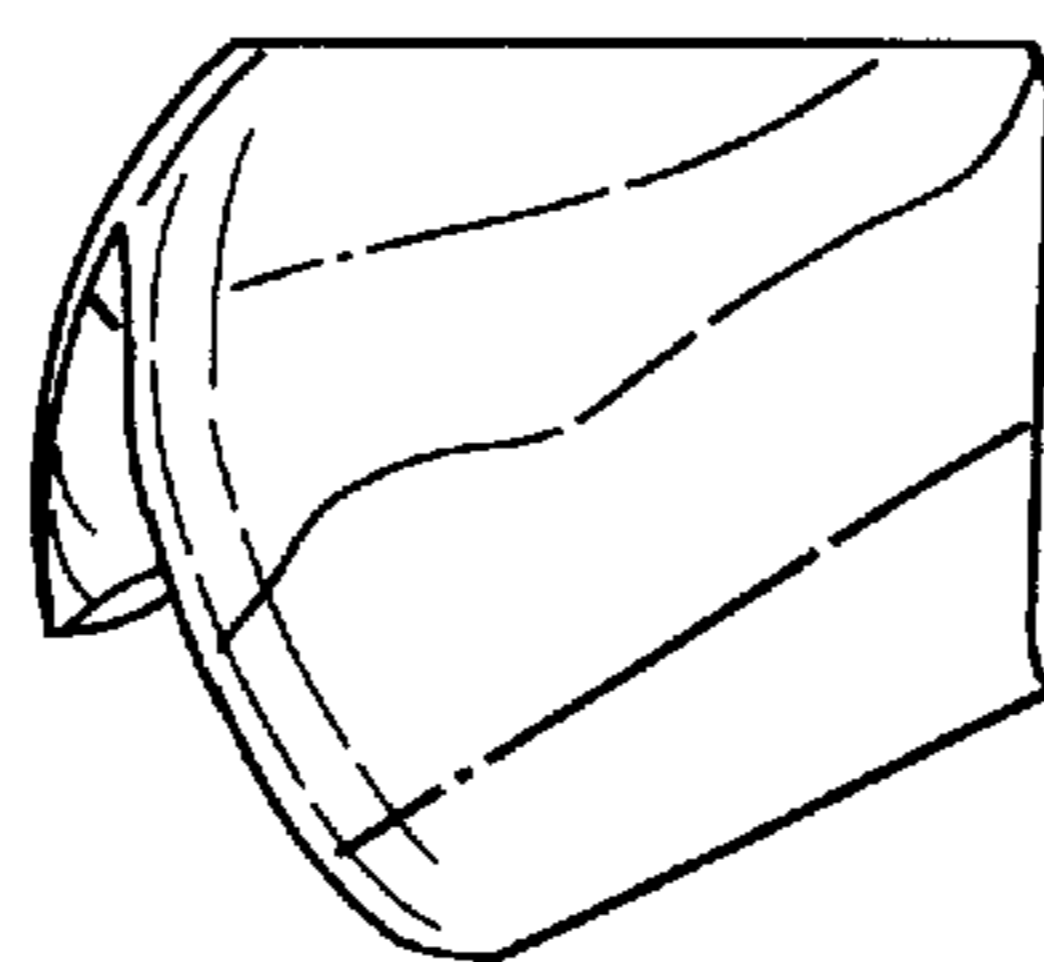


FIG. 6