

US00D494847S1

(12) **United States Design Patent**
Maniezzo

(10) **Patent No.:** **US D494,847 S**

(45) **Date of Patent:** **** Aug. 24, 2004**

(54) **CONNECTING DEVICE FOR DISPLAYING UNITS**

(75) **Inventor:** **Dario Luigi Maniezzo**, Romano D'Ezzelino (IT)

(73) **Assignee:** **Alu S.rl.**, Romano D'Ezzelino (IT)

(**) **Term:** **14 Years**

(21) **Appl. No.:** **29/169,693**

(22) **Filed:** **Oct. 24, 2002**

(51) **LOC (7) Cl.** **08-08**

(52) **U.S. Cl.** **D8/382**

(58) **Field of Search** D8/382, 394, 396; D6/491; 403/300, 312, 409.1, 205

(56) **References Cited**

U.S. PATENT DOCUMENTS

3,586,354 A	*	6/1971	Boscacci	285/369
D285,171 S	*	8/1986	Russell	D8/396
D322,025 S	*	12/1991	Funston	D8/382

OTHER PUBLICATIONS

DM/054612 (O.L.S.O. Di Oberto Luigi E.C. S.N.C.) Dec. 27, 2000 (abstract). [online] [retrieved on Jul. 12, 2003]. Retrieved from WIPO Database.*

* cited by examiner

Primary Examiner—Holly Baynham

(74) *Attorney, Agent, or Firm*—RatnerPrestia

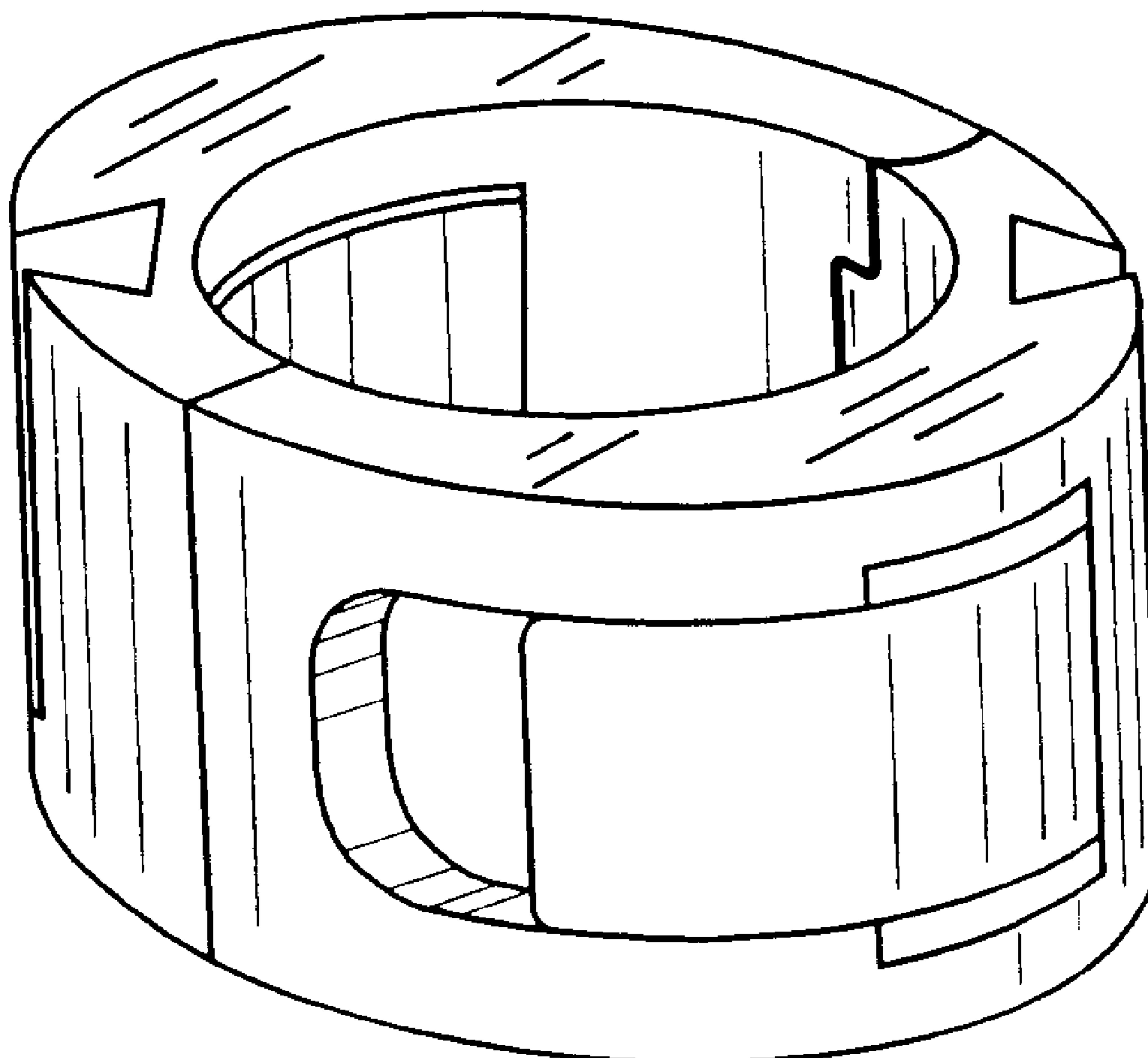
(57) **CLAIM**

The ornamental design for a connecting device for displaying units, as shown and described.

DESCRIPTION

FIG. 1 is a top perspective view of the design; FIG. 2 is a top plan view of the design, the bottom plan view being identical; FIG. 3 is a front view of the design, the rear view being identical; and, FIG. 4 is a side view of the design, both side views being identical.

1 Claim, 2 Drawing Sheets



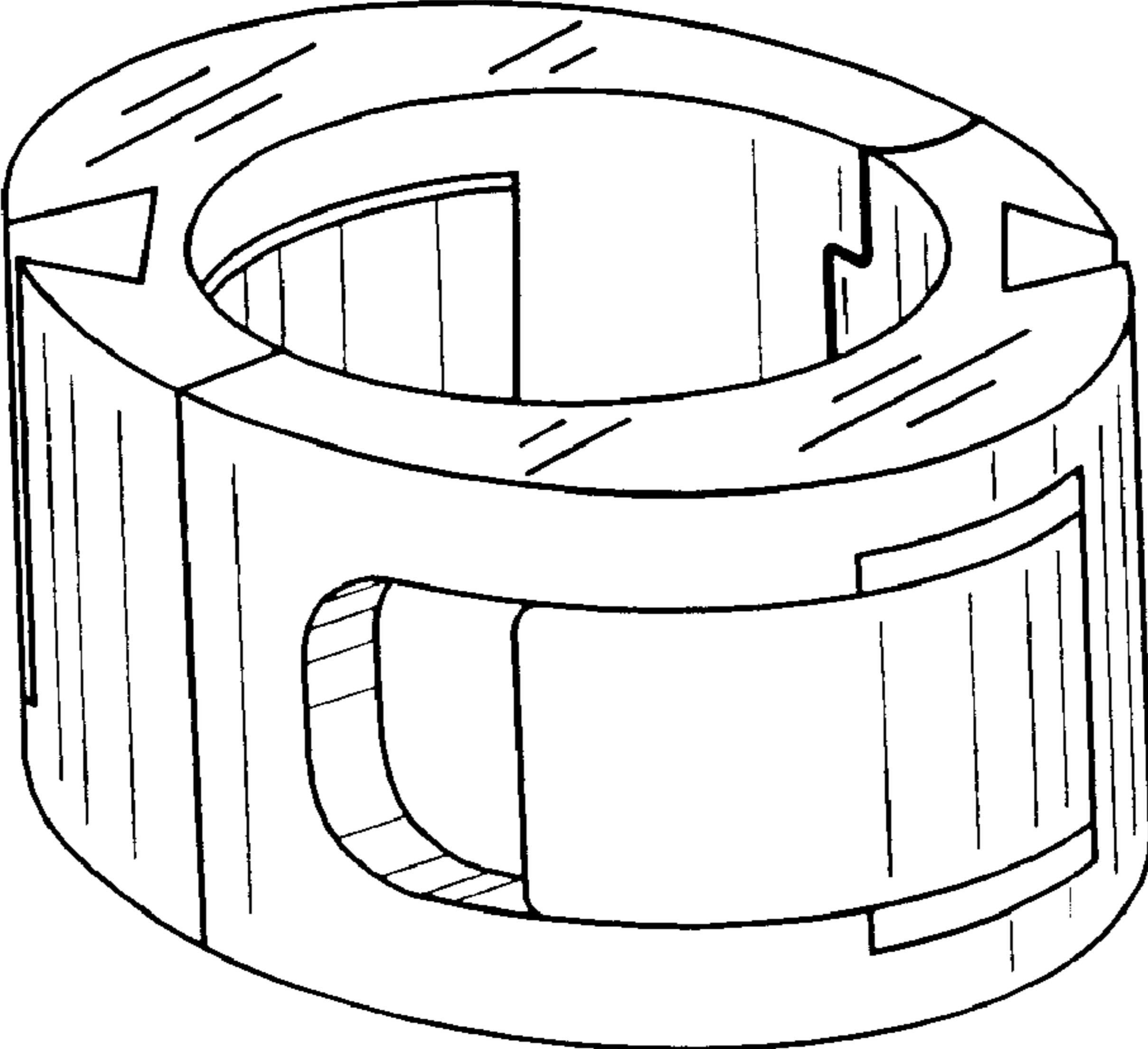


FIG. 1

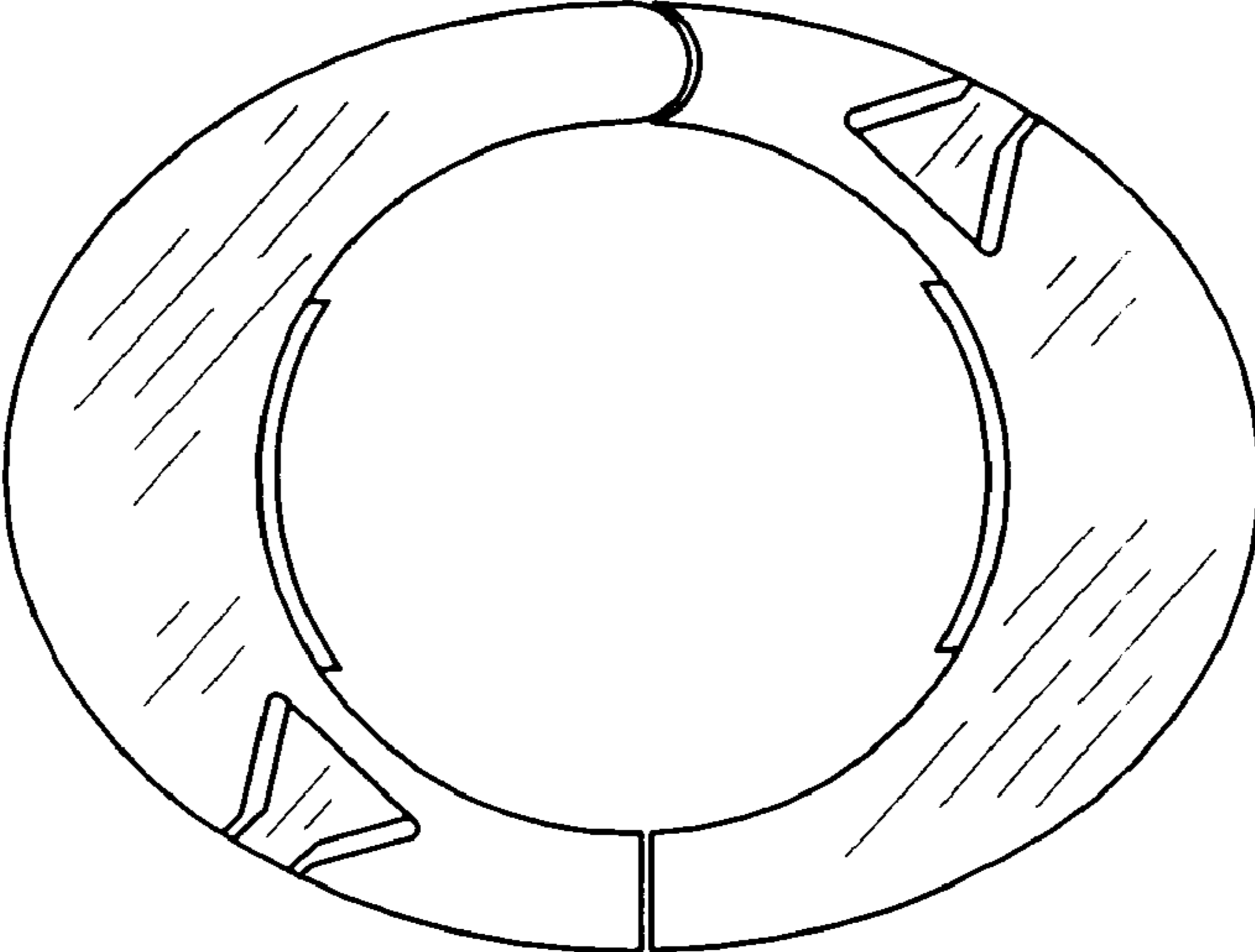


FIG. 2

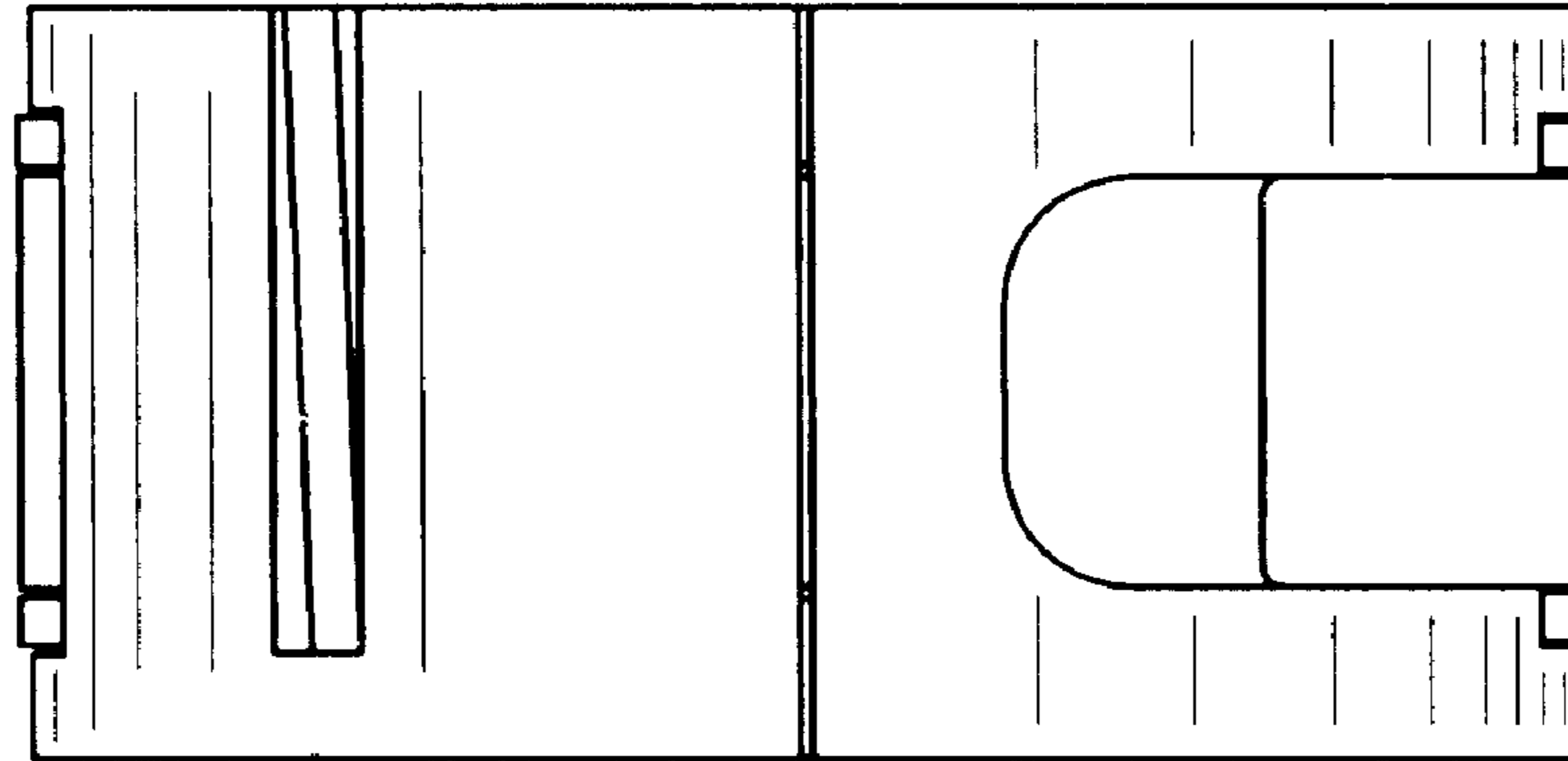


FIG. 3

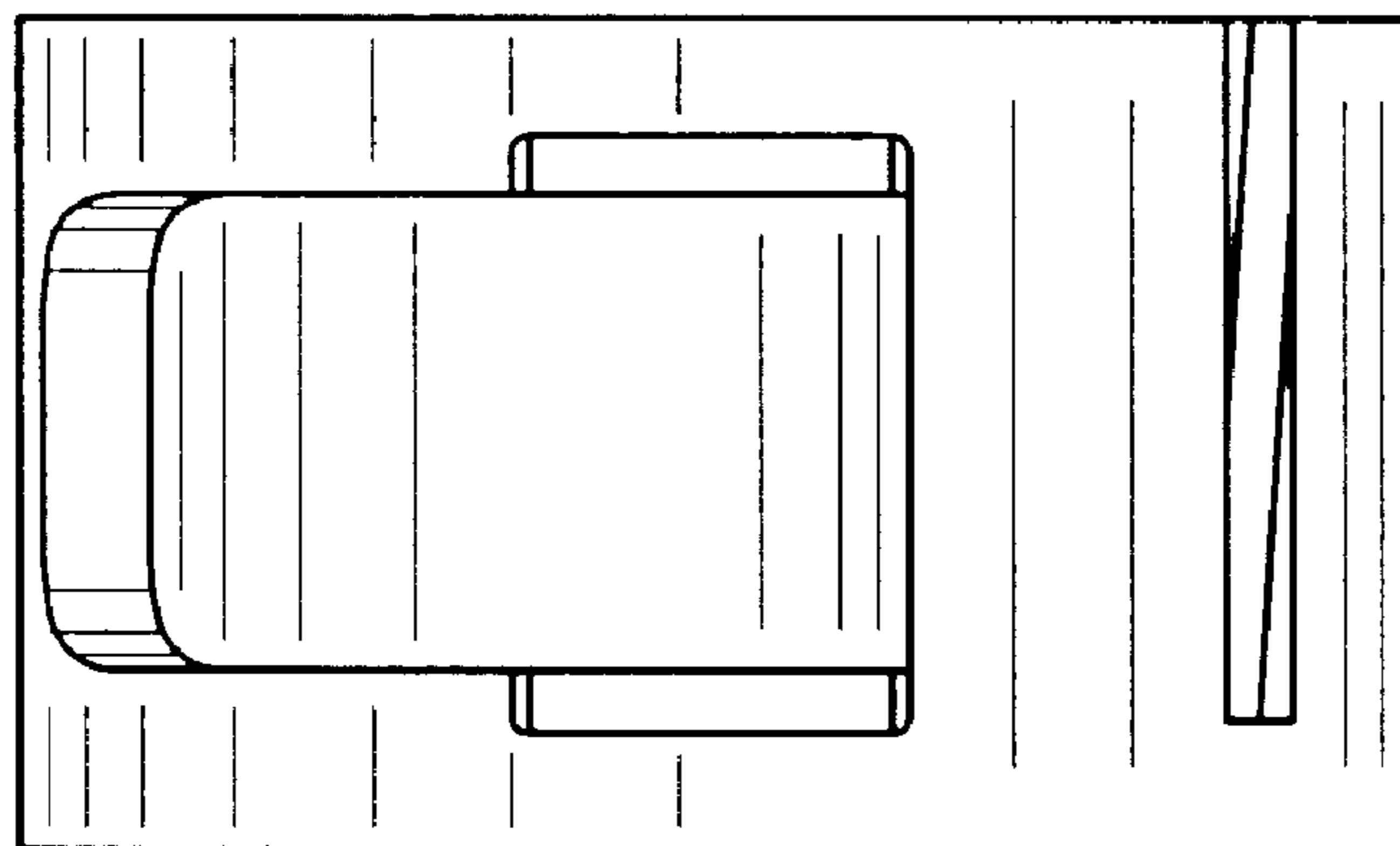


FIG. 4