



US00D494843S1

(12) **United States Design Patent**
Muller

(10) **Patent No.:** **US D494,843 S**

(45) **Date of Patent:** **** Aug. 24, 2004**

(54) **POOL BLANKET REEL**

(75) **Inventor:** **Eric Muller, Riverside, CA (US)**

(73) **Assignee:** **Tri-Star Plastics, Incorporated,**
Anaheim, CA (US)

(**) **Term:** **14 Years**

(21) **Appl. No.:** **29/181,808**

(22) **Filed:** **May 15, 2003**

(51) **LOC (7) Cl.** **08-05**

(52) **U.S. Cl.** **D8/358**

(58) **Field of Search** D3/24; D8/356,
D8/358, 359, 368.1; D13/137.4, 153, 154;
D22/137; 137/355.16, 355.26; 191/12.2 R;
242/378.1, 379, 379.2, 388.5, 395, 398,
405, 405.1, 405.3; 439/4, 501

(56) **References Cited**

U.S. PATENT DOCUMENTS

- 184,251 A * 11/1876 Lundberg et al. 191/12.2 R
- 4,548,368 A * 10/1985 Tomlinson 242/129.6
- 4,903,911 A * 2/1990 Sepka 242/399
- D325,486 S * 4/1992 Goldstein D6/518
- D330,506 S * 10/1992 Clivio D8/359

- D347,950 S * 6/1994 Cisero et al. D6/456
- 6,135,139 A * 10/2000 Blake, Jr. 137/355.18
- D460,910 S * 7/2002 Stafford D8/358
- 6,568,624 B2 * 5/2003 Jackson 242/588.2

* cited by examiner

Primary Examiner—James Gandy

Assistant Examiner—Elizabeth Albert

(74) *Attorney, Agent, or Firm*—Roth & Goldman, P.A.

(57) **CLAIM**

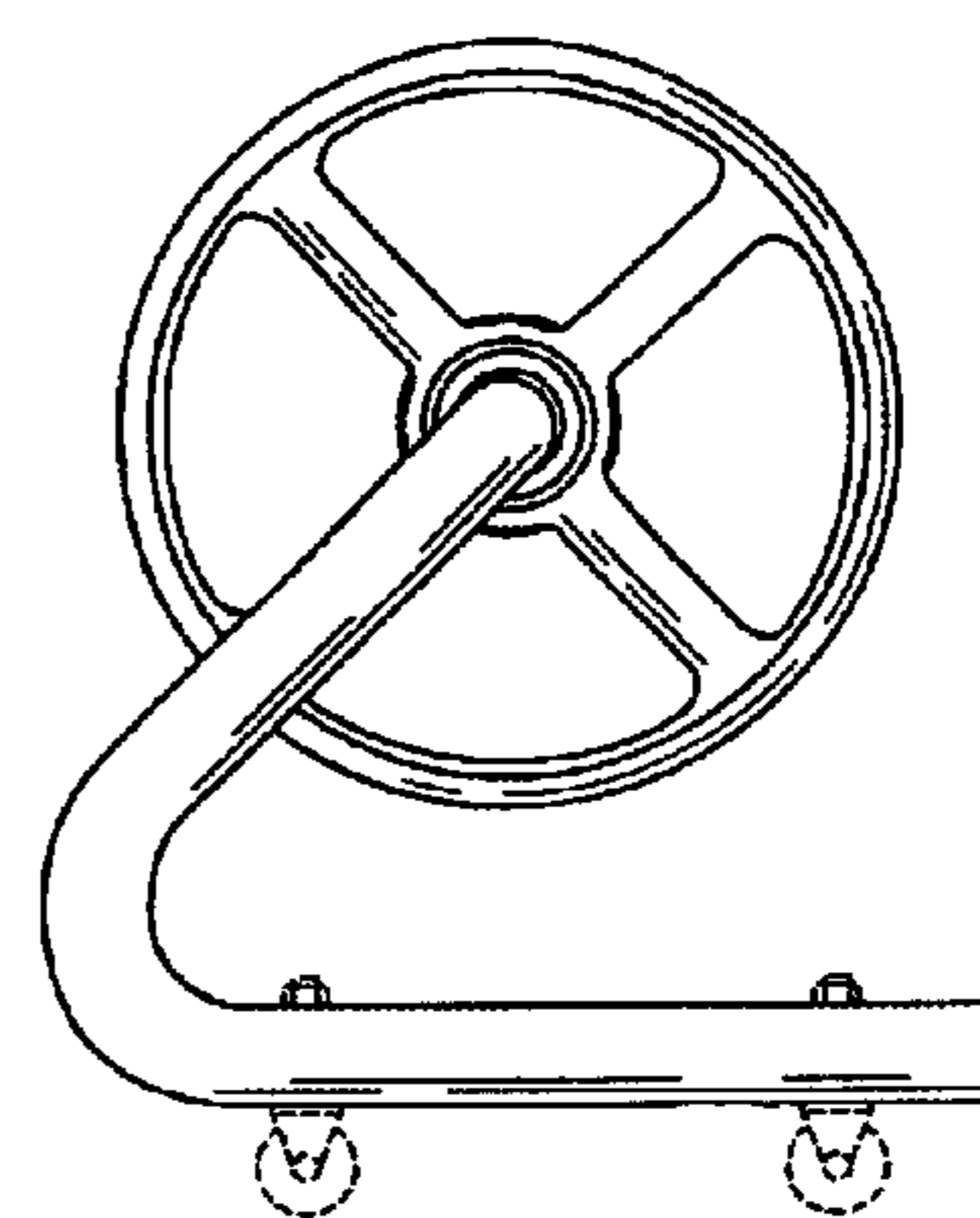
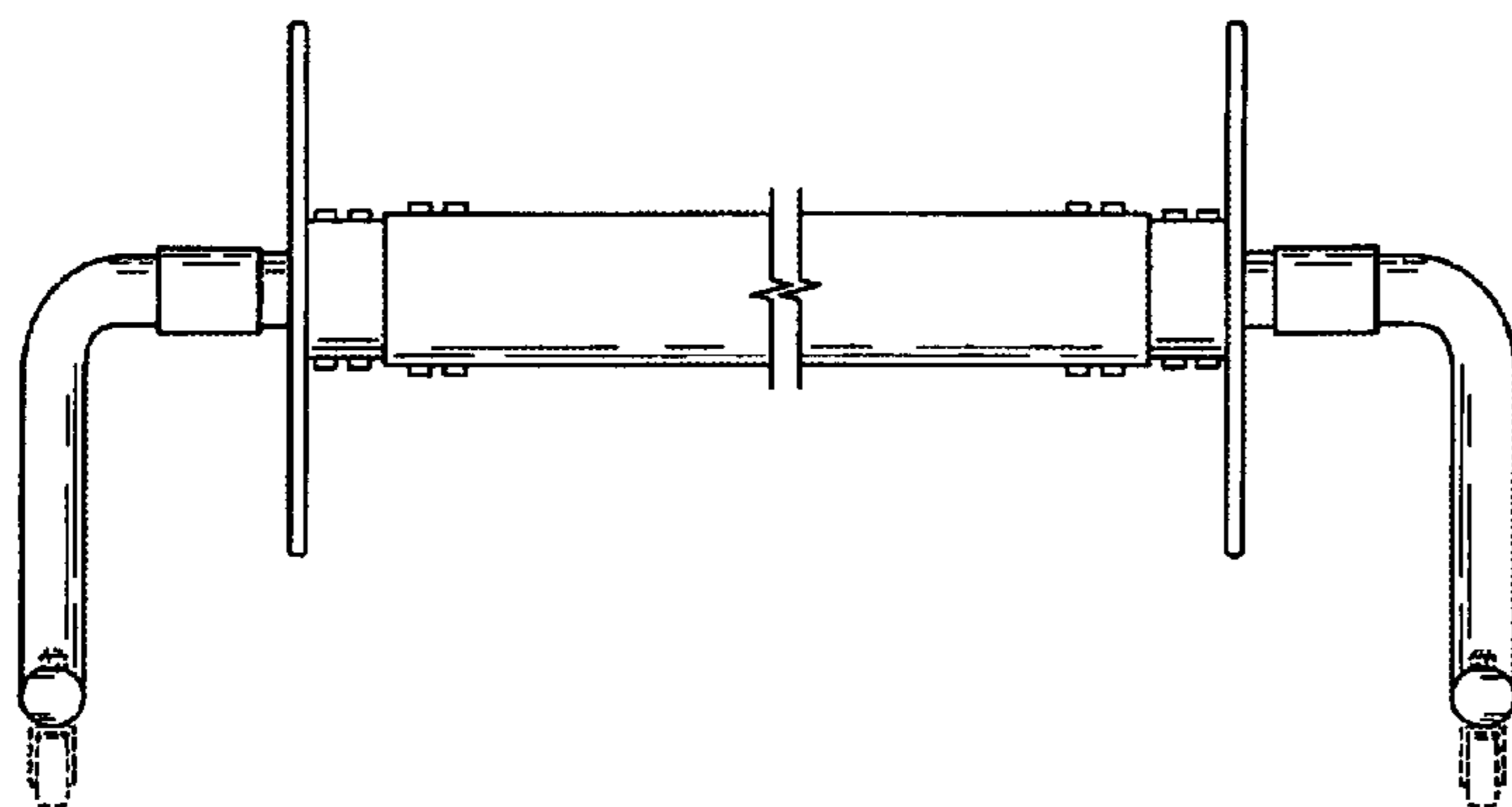
The ornamental design for a pool blanket reel, as shown and described.

DESCRIPTION

FIG. 1 is a top plan view showing my new design; FIG. 2 is a front elevation view of my new design; FIG. 3 is a rear elevation view of my new design; FIG. 4 is a left side elevation view thereof, the right side elevation being a mirror image; and, FIG. 5 is a bottom plan view thereof.

The broken lines showing environment in the drawings are for illustrative purposes only and form no part of the claimed design. The shaft of the reel is broken away to indicate indeterminate length.

1 Claim, 2 Drawing Sheets



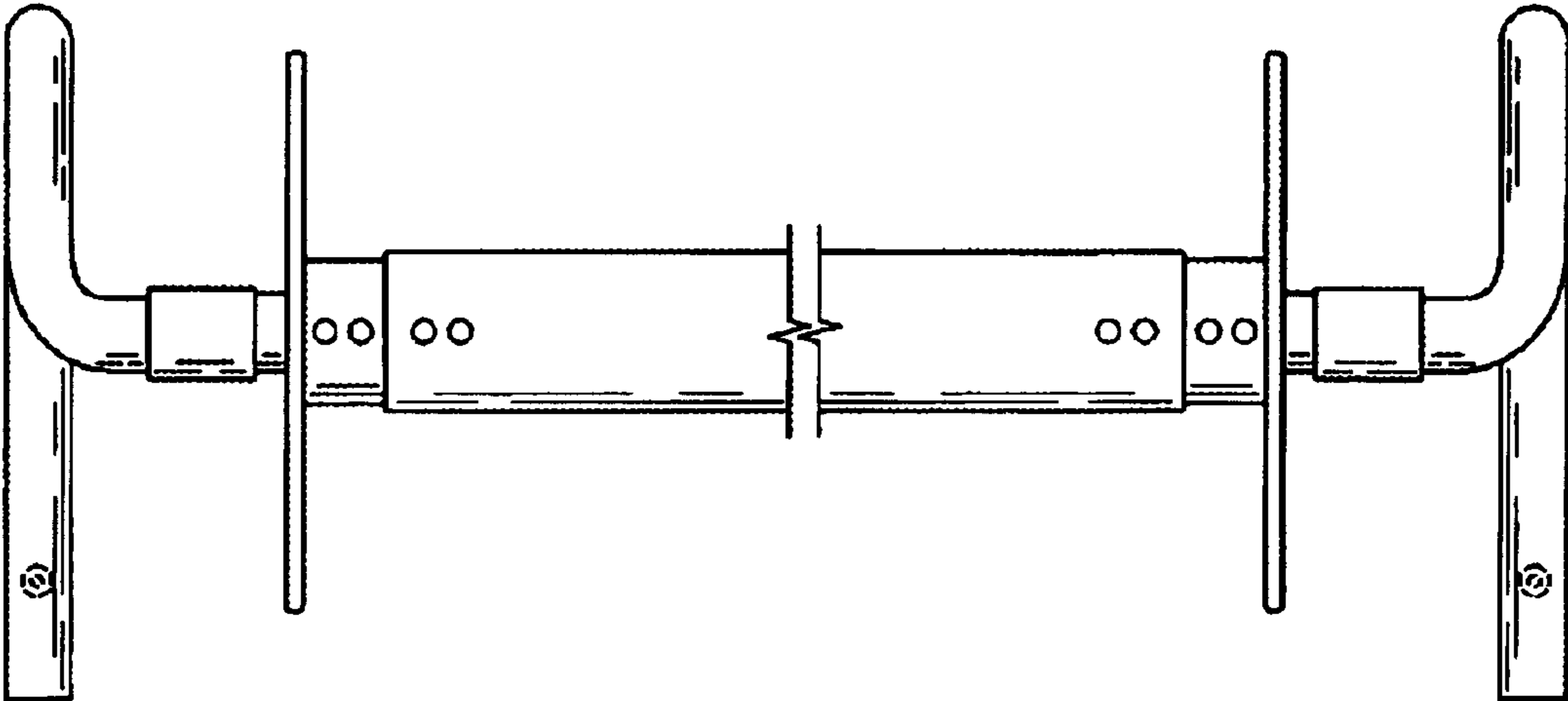


FIG. 1

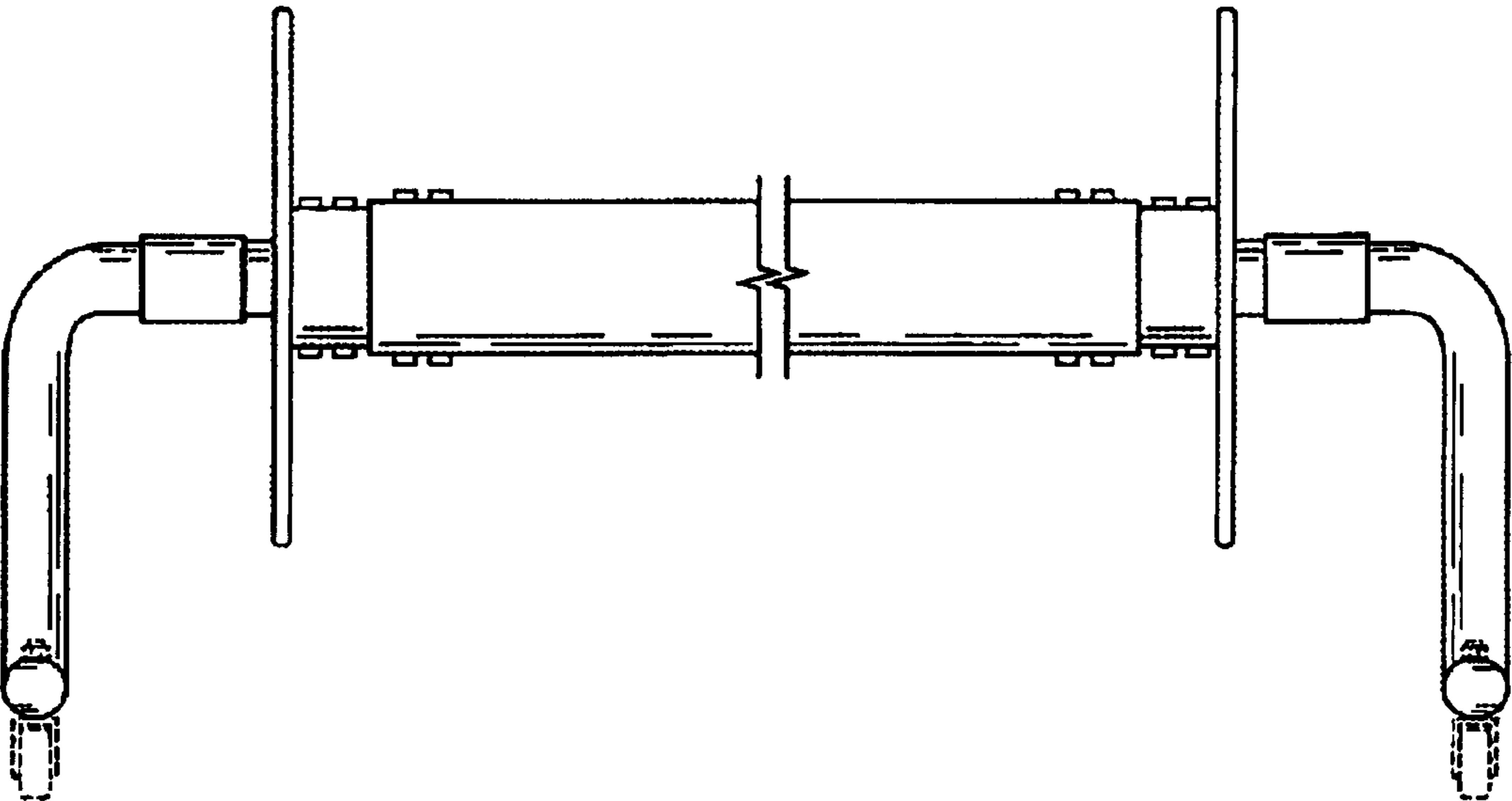


FIG. 2

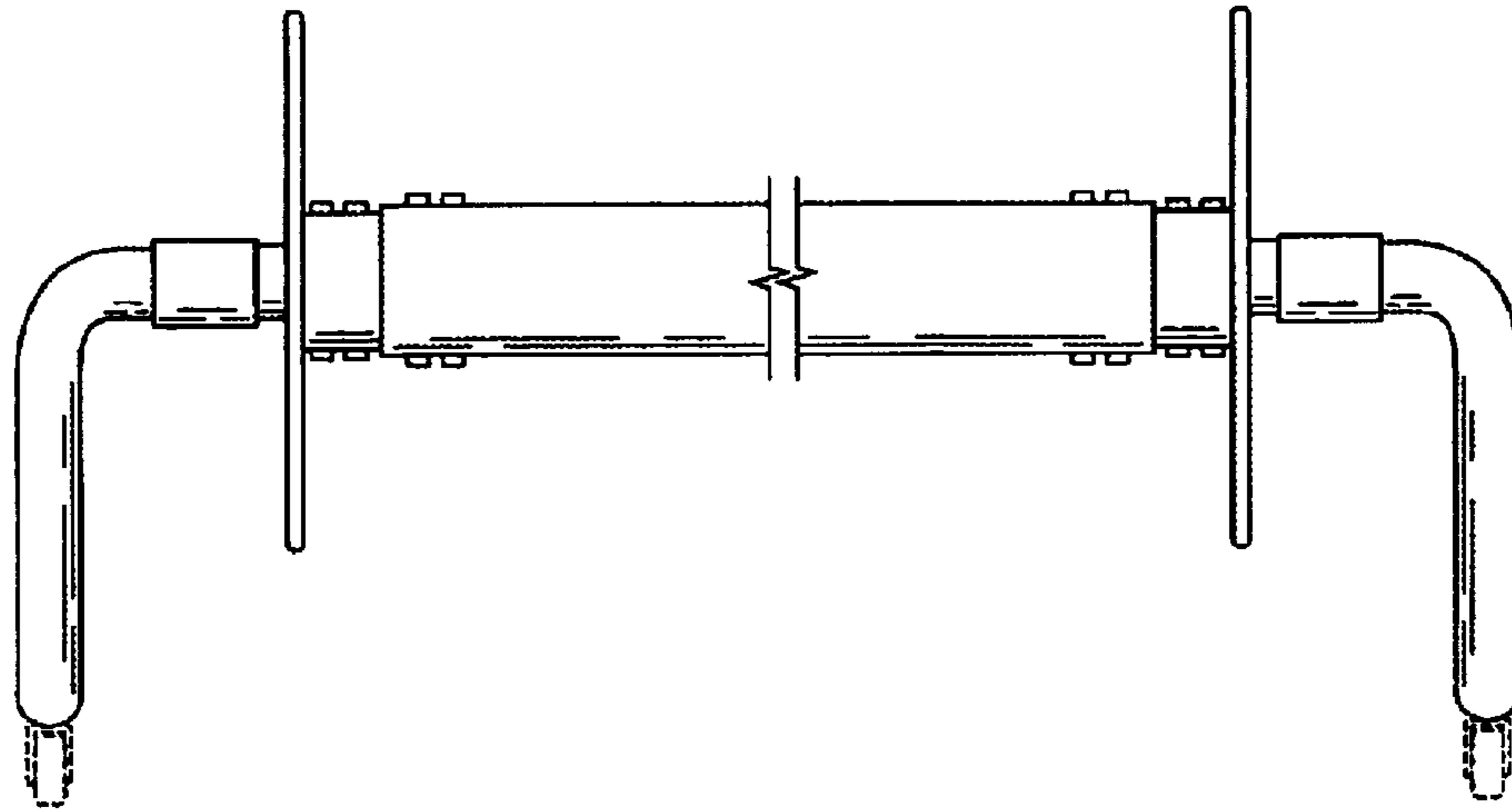


FIG. 3

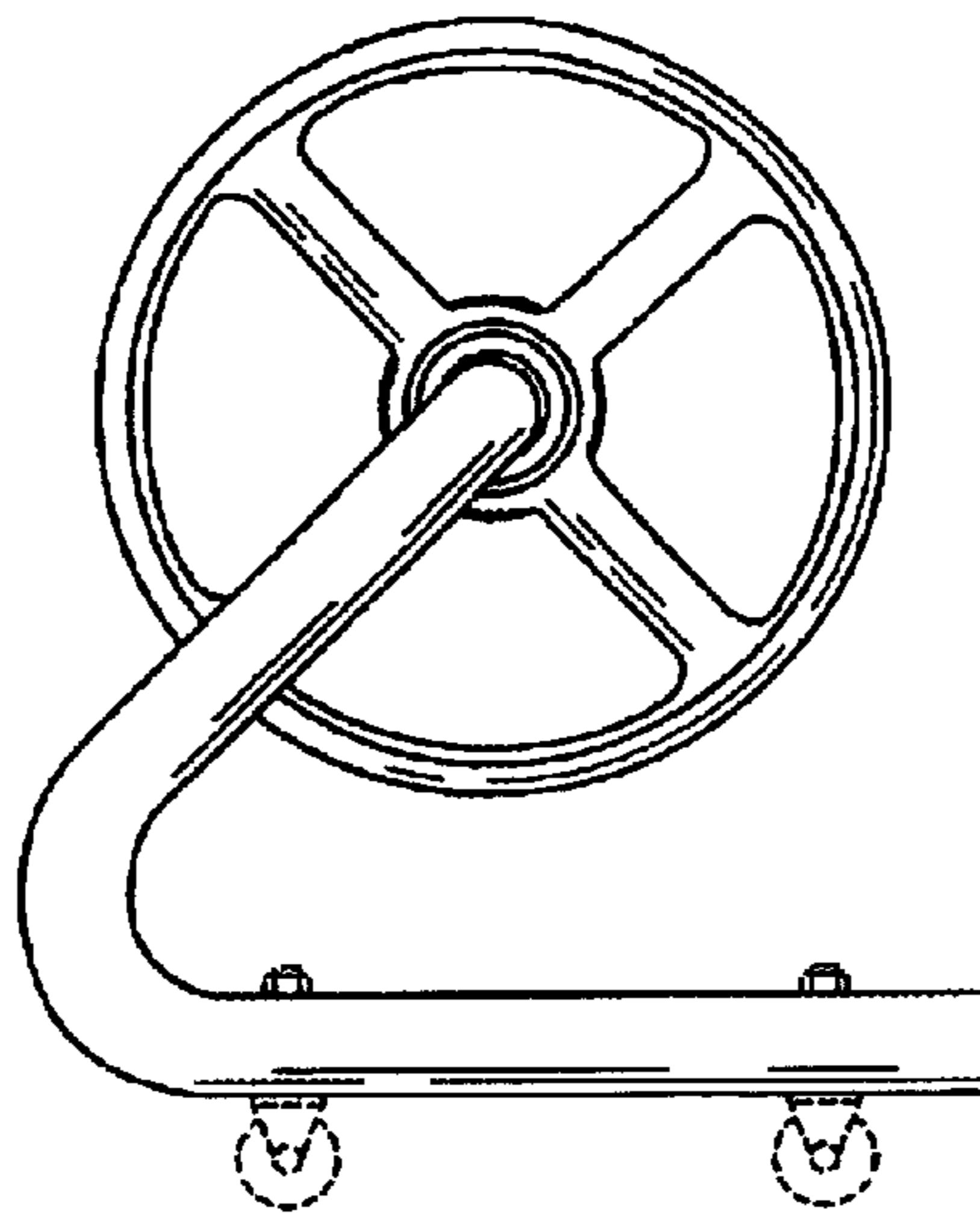


FIG. 4

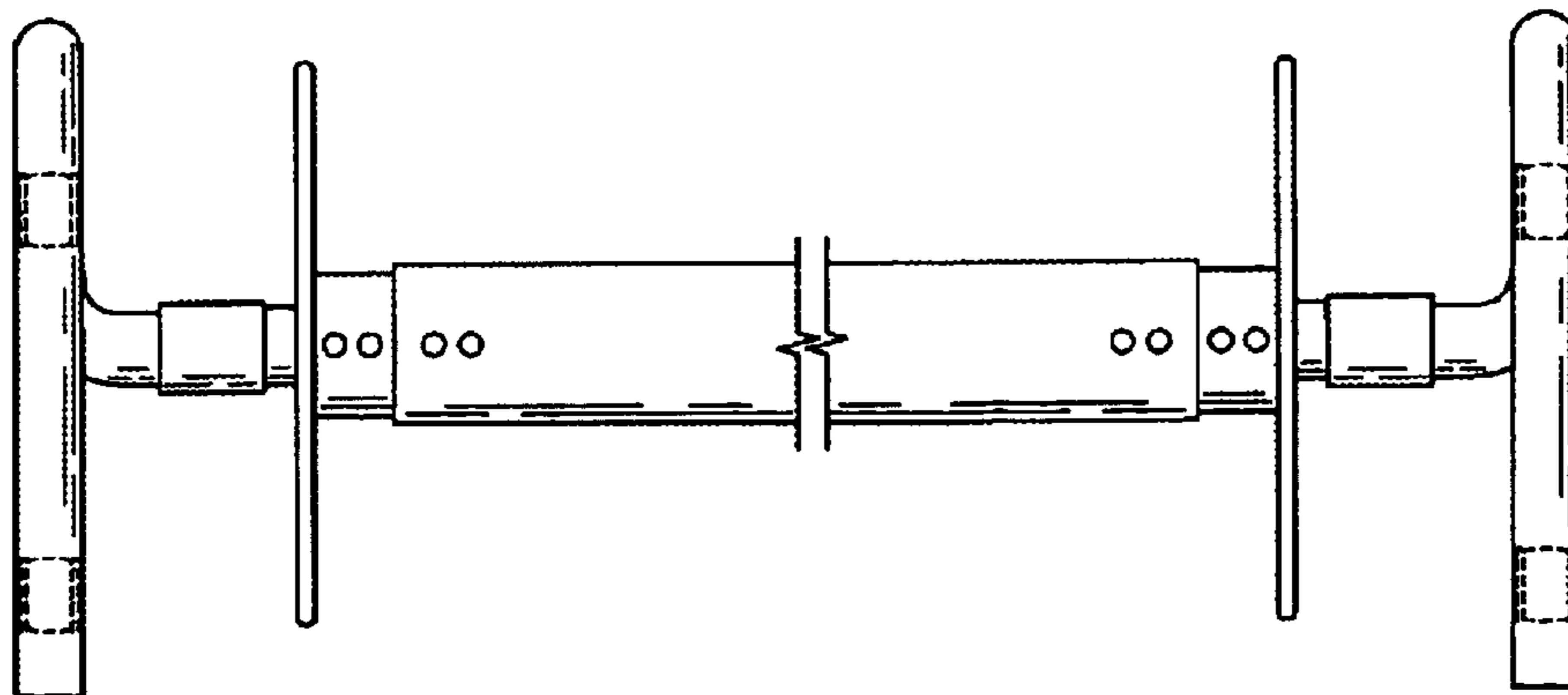


FIG. 5