

US00D494842S1

(12) **United States Design Patent** (10) **Patent No.:** **US D494,842 S**
Perkins et al. (45) **Date of Patent:** **** Aug. 24, 2004**

(54) **SLOTWALL HANGER BRACKET**
(75) Inventors: **Travis M. Perkins**, Evansville, IN (US); **Tyree E. Sampson**, Gahanna, OH (US); **Duane A. Schmidt**, Newburgh, IN (US); **Mark A. Stout**, Evansville, IN (US)

(73) Assignee: **Whirlpool Corporation**, Benton Harbor, MI (US)

(**) Term: **14 Years**

(21) Appl. No.: **29/173,471**

(22) Filed: **Dec. 30, 2002**

(51) **LOC (7) Cl.** **08-05**

(52) **U.S. Cl.** **D8/354**

(58) **Field of Search** D6/513, 553; D8/349, D8/354, 355, 356, 371, 373, 380, 382, 367; 211/54.1, 57.1, 59.1; 248/216.1, 216.4, 220.22, 220.31, 220.41, 220.42, 220.43, 221.11, 222.11, 222.51, 223.31, 223.41, 225.11, 231.81, 300

(56) **References Cited**

U.S. PATENT DOCUMENTS

2,102,082 A	*	12/1937	Lucke	4/595
2,974,918 A	*	3/1961	Voigtlander	248/201
3,964,712 A	*	6/1976	Staudte, Jr.	248/220.22
4,303,217 A	*	12/1981	Garfinkle	248/220.42
4,352,478 A		10/1982	Loew	248/221.3
4,509,658 A		4/1985	Oden	211/70.6
4,583,706 A	*	4/1986	Whitehouse et al.	248/251
4,591,058 A		5/1986	Amstutz et al.	211/94
4,607,753 A		8/1986	Radek	211/87
4,618,192 A		10/1986	Kelley	312/245
4,629,076 A		12/1986	Amstutz et al.	211/94
4,678,151 A		7/1987	Radek	248/220.2
D314,329 S		2/1991	Kemp	D8/381
5,029,789 A		7/1991	Nourry et al.	248/225.1
5,101,989 A		4/1992	Jones	211/94

5,109,992 A	*	5/1992	Miller	211/59.1
5,375,802 A		12/1994	Branham, II	248/231.4
5,871,115 A	*	2/1999	Kohn	220/485
5,871,188 A	*	2/1999	Lyle	248/223.41
5,944,294 A		8/1999	Baer	248/220.43
6,050,426 A		4/2000	Leurdijk	211/94.01
6,119,878 A		9/2000	Zen	211/94.01
D436,311 S	*	1/2001	Edvardsson	D8/382
D455,641 S		4/2002	Trifilio	D8/354
D470,395 S	*	2/2003	Valiulis et al.	D8/373

* cited by examiner

Primary Examiner—James Gandy

Assistant Examiner—Elizabeth Albert

(74) *Attorney, Agent, or Firm*—Stephen Krefman; Robert O. Rice; John F. Colligan

(57) **CLAIM**

The ornamental design for a slotwall hanger bracket, as shown and described.

DESCRIPTION

FIG. 1 is a right front perspective view of the design of the hanger bracket;

FIG. 2 is a front elevational view thereof. The ornamental design is not visible in a rear view;

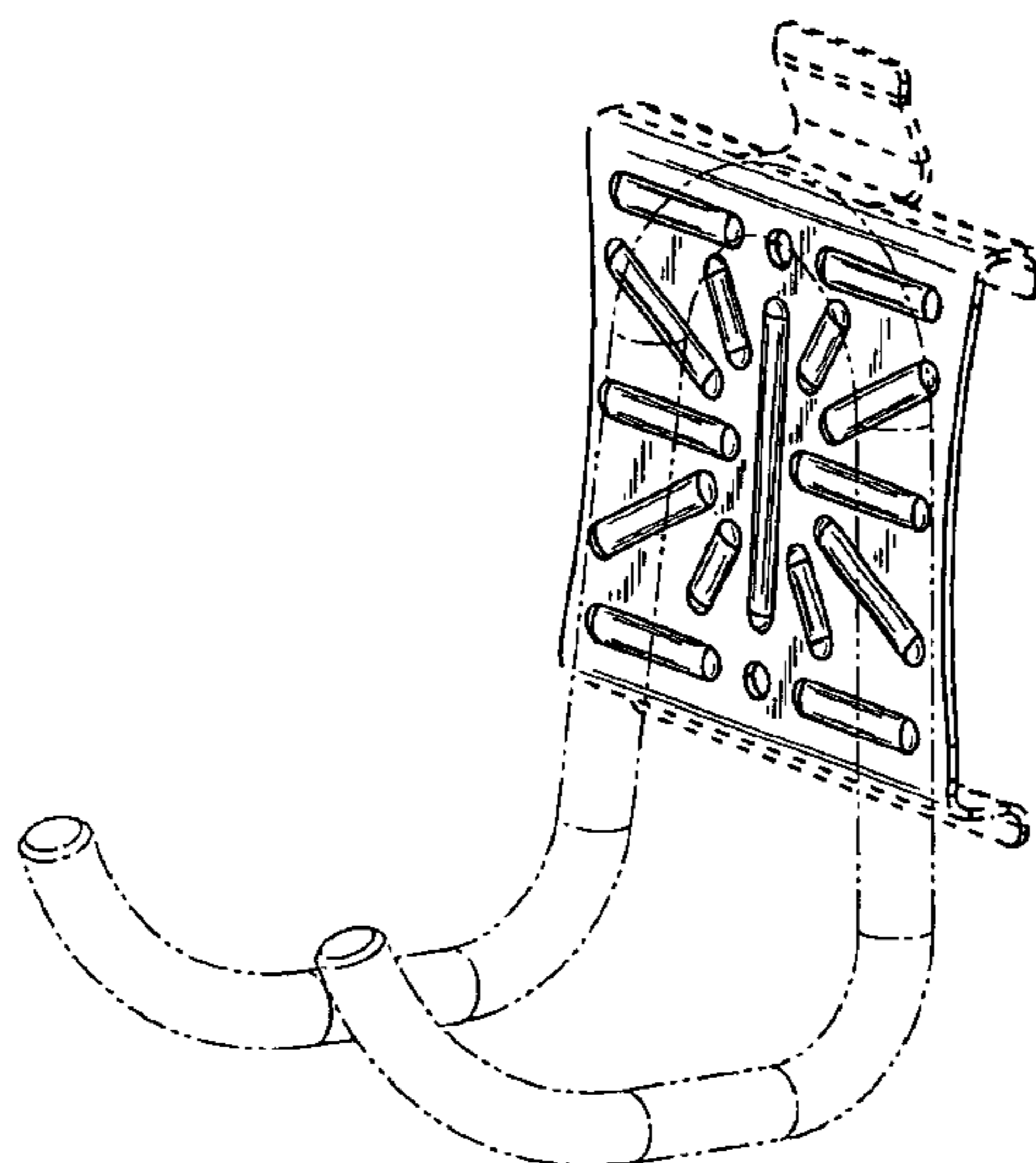
FIG. 3 is a right side elevational view thereof, the left side elevational view being a mirror image; and,

FIG. 4 is a top plan view thereof, the bottom view being a mirror image.

Those portions of the hanger bracket in broken lines, specifically the surfaces of the hanger bracket that extend back from the front of the hanger bracket from the top and bottom edges of the hanger bracket are for illustrative purposes only and form no part of the claimed design.

The broken lines showing a hook on the front of the hanger bracket are an example of an environmental structure for illustrative purposes only and forms no part of the claimed design.

1 Claim, 4 Drawing Sheets



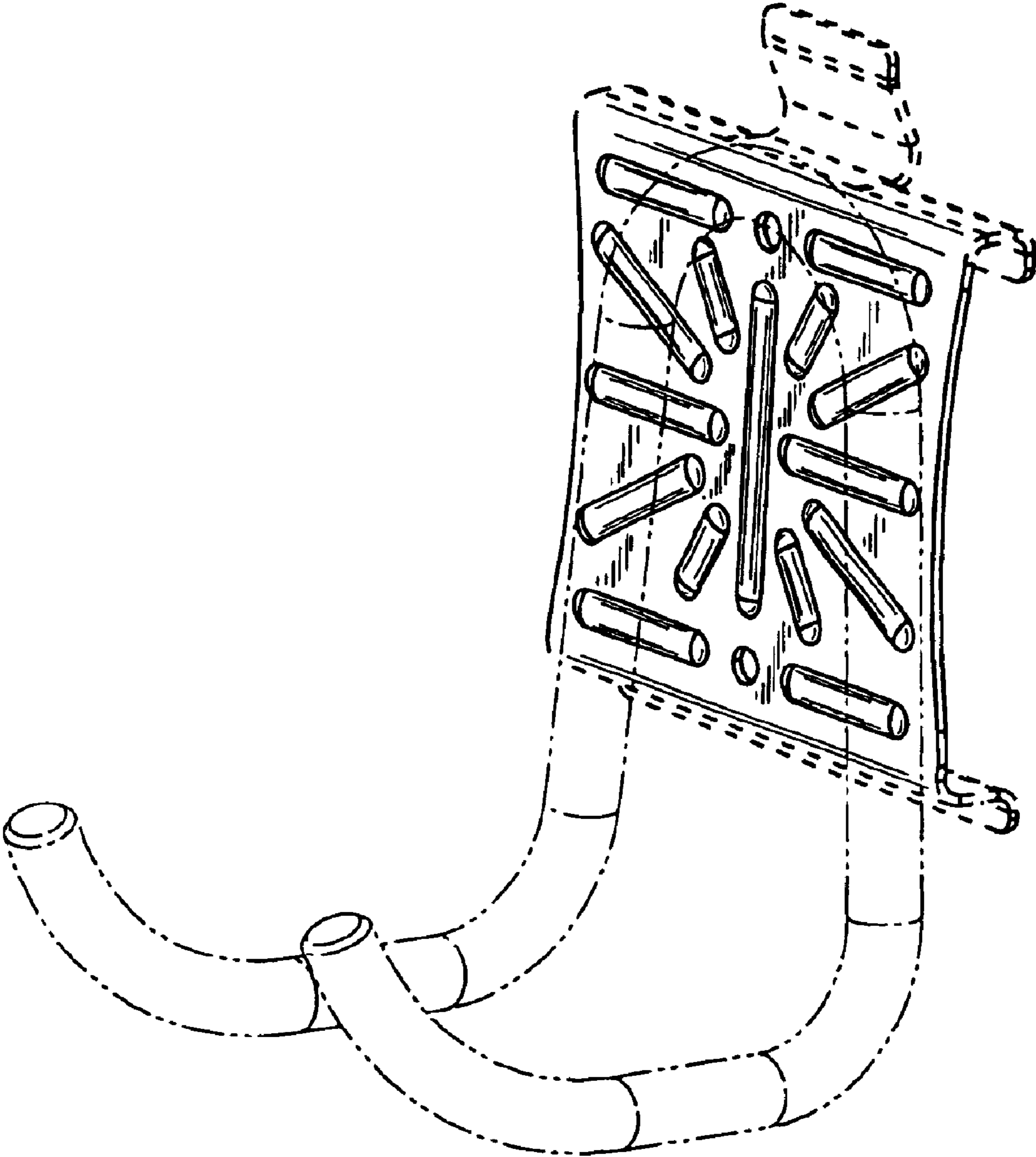


Fig. 1

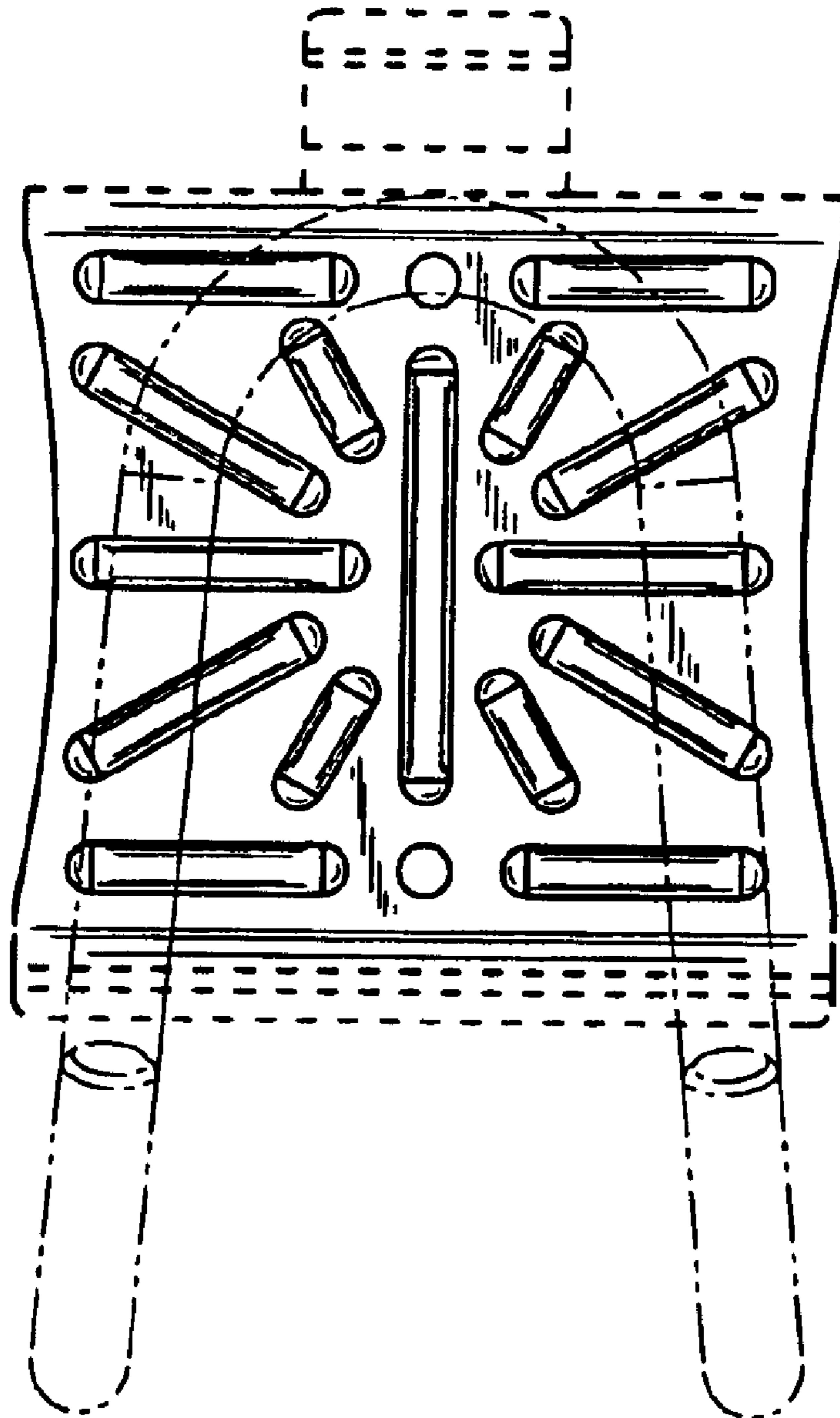


Fig. 2

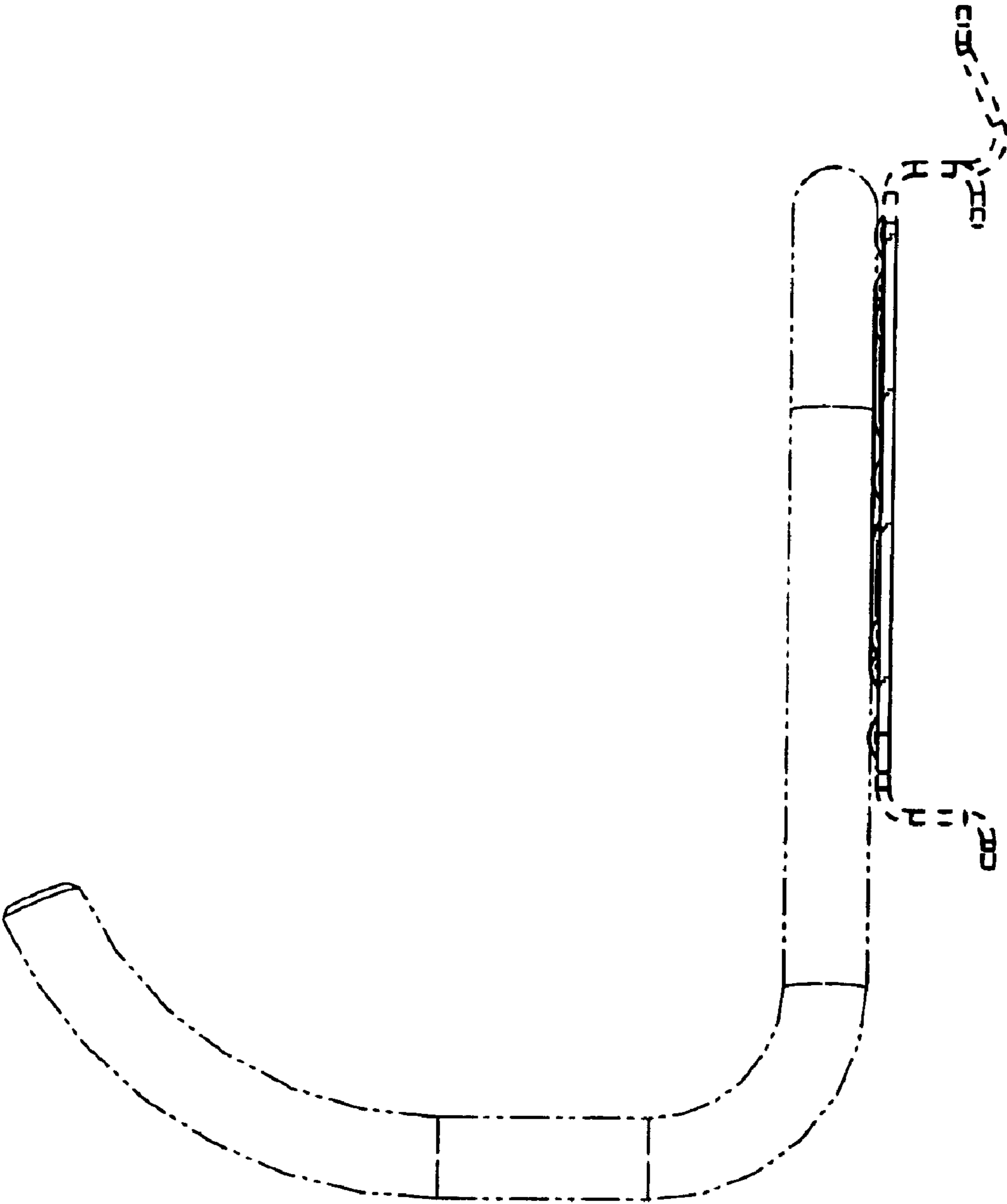


Fig. 3

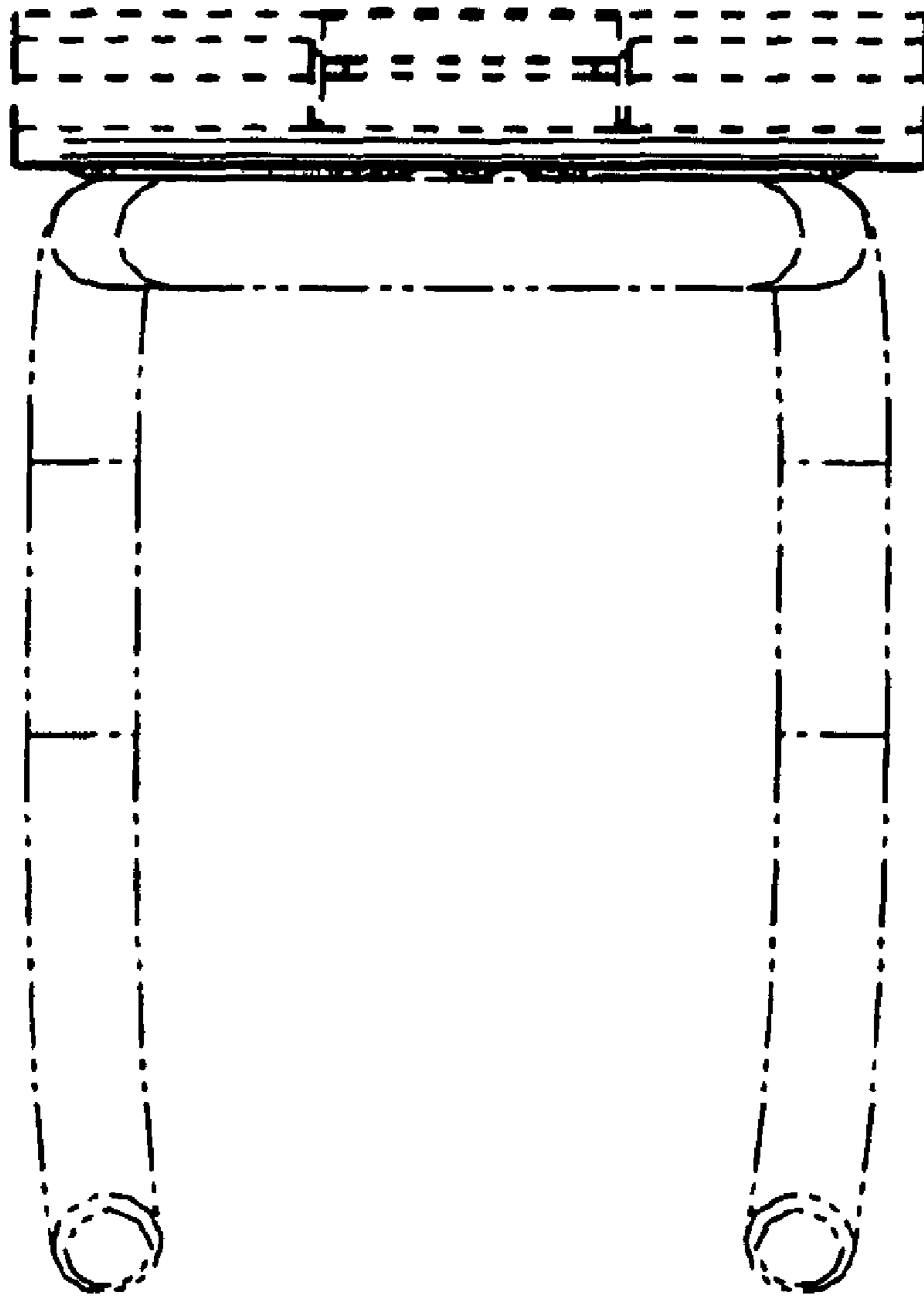


Fig. 4