

US00D494840S1

(12) **United States Design Patent**
Senn

(10) **Patent No.:** **US D494,840 S**

(45) **Date of Patent:** **** Aug. 24, 2004**

(54) **LEVER MOUNT**

(75) **Inventor:** **Brian A. Senn**, South Milwaukee, WI
(US)

(73) **Assignee:** **Powerbrace Corporation**, Kenosha,
WI (US)

(**) **Term:** **14 Years**

(21) **Appl. No.:** **29/193,192**

(22) **Filed:** **Nov. 6, 2003**

(51) **LOC (7) Cl.** **08-07**

(52) **U.S. Cl.** **D8/344; D8/343**

(58) **Field of Search** D8/330, 331, 343,
D8/344, 339, 340, 333; 70/29, 40, 85, 113,
126, 134, 100, 161, 166, 173, 188, 143,
236, 200, 226, 192-196

(56) **References Cited**

U.S. PATENT DOCUMENTS

1,767,623	A	*	6/1930	Strong	384/583
2,595,450	A	*	5/1952	Coffing	294/82.33
3,642,314	A	*	2/1972	Smith et al.	292/134
3,955,842	A	*	5/1976	Edwards	292/307 R
5,295,717	A	*	3/1994	Chen	285/84
D414,675	S	*	10/1999	Niswanger	D8/333

D416,466	S	*	11/1999	Leonowich	D8/331
D429,621	S	*	8/2000	Rivera	D8/343
D439,497	S	*	3/2001	Clark et al.	D8/331
D444,371	S	*	7/2001	Leonowich	D8/331
D469,681	S	*	2/2003	Votruba et al.	D8/343

* cited by examiner

Primary Examiner—Prabhakar Deshmukh

(74) *Attorney, Agent, or Firm*—John A. Schærli

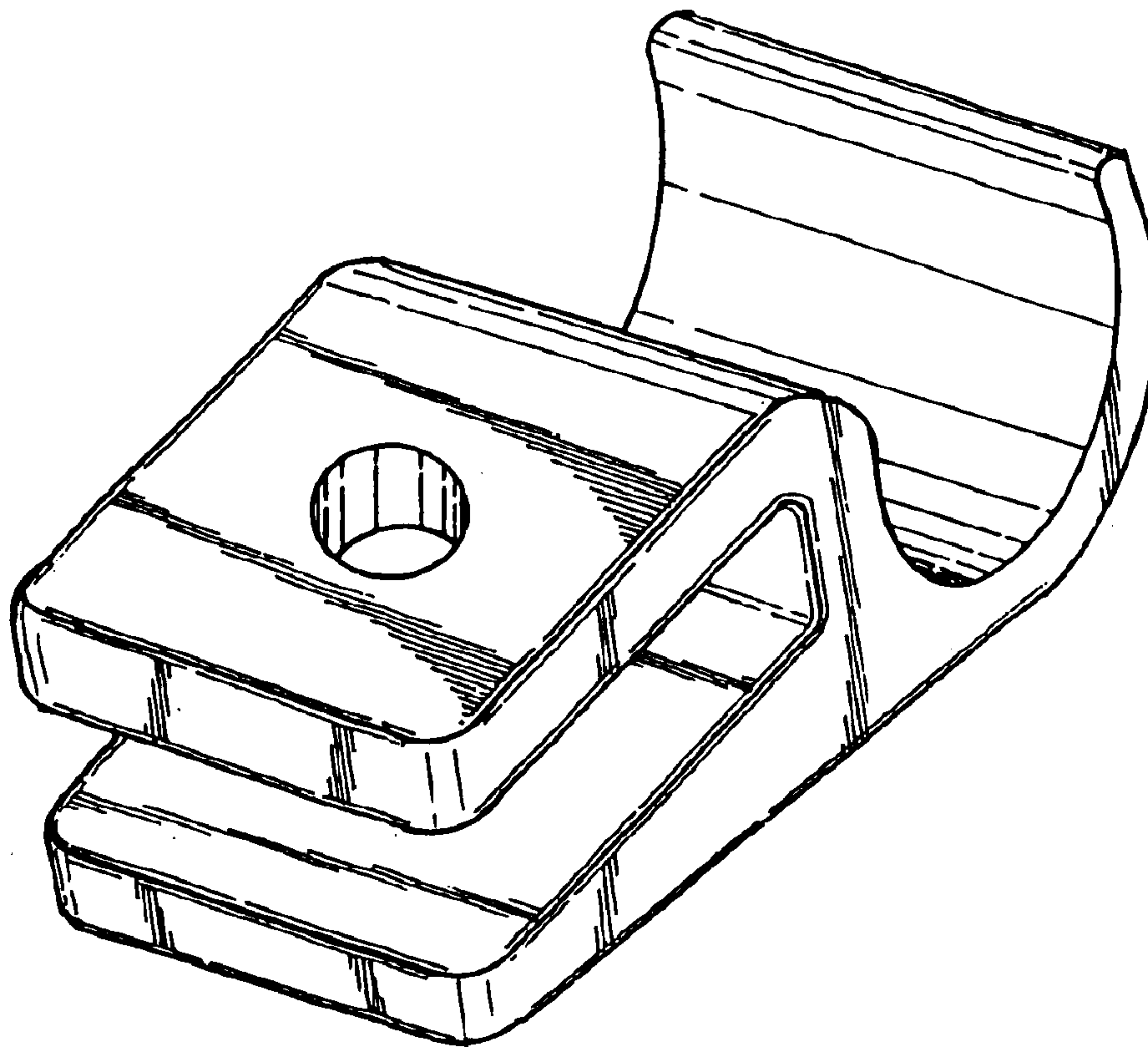
(57) **CLAIM**

The ornamental design for a lever mount, as shown and described.

DESCRIPTION

FIG. 1 is a front, right side perspective view of one embodiment of a lever mount showing my new design; FIG. 2 is a left end elevational view thereof; FIG. 3 is a right end elevational view thereof; FIG. 4 is a right side elevational view thereof; FIG. 5 is a left side elevational view thereof; FIG. 6 is a top plan view thereof; and, FIG. 7 is a bottom view thereof; and, FIG. 8 is a perspective view thereof, shown in its environmental use. The broken lines therein are for illustrative purposes only and form no part of the claimed design.

1 Claim, 3 Drawing Sheets



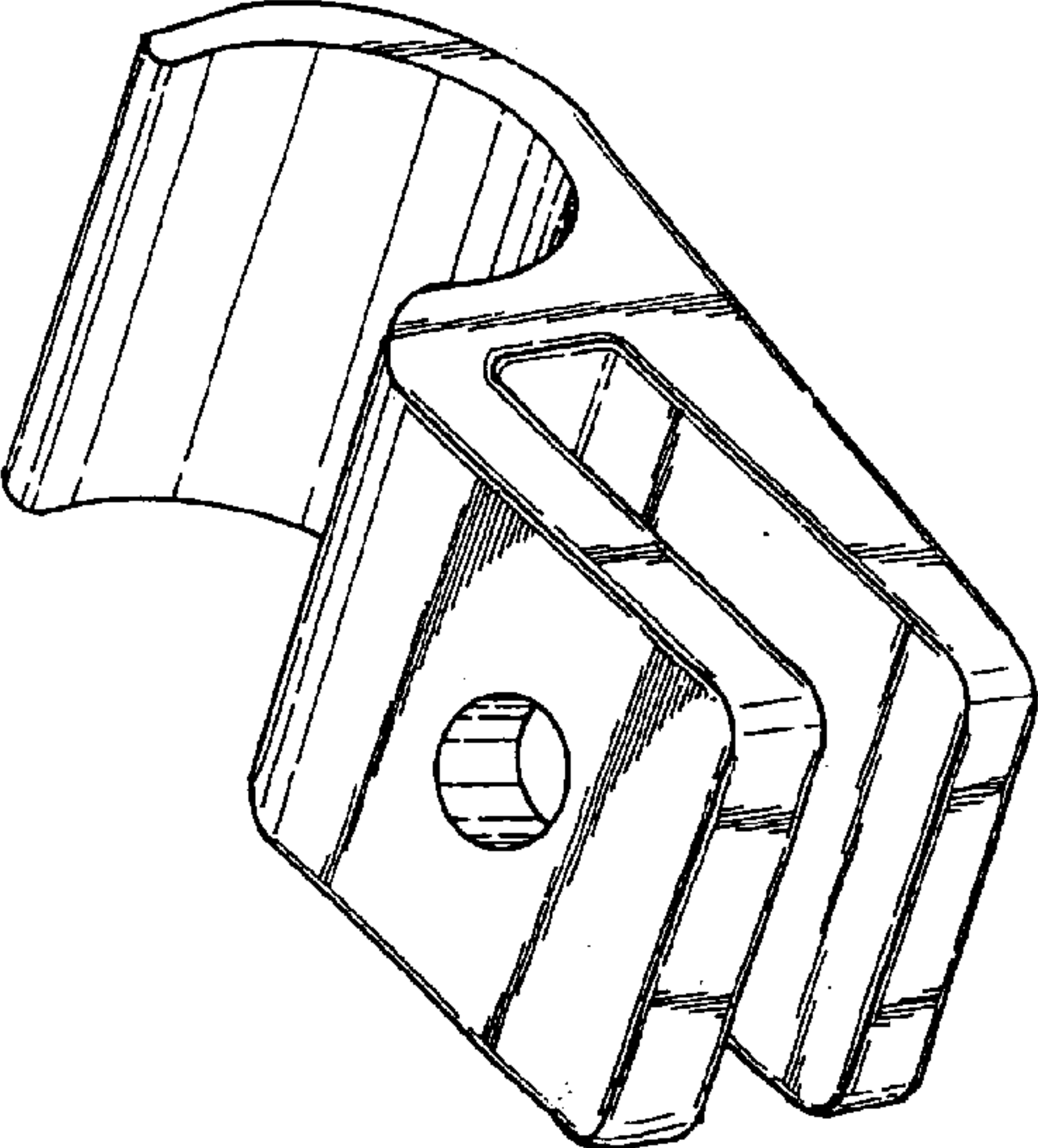


FIG. 1



FIG. 2

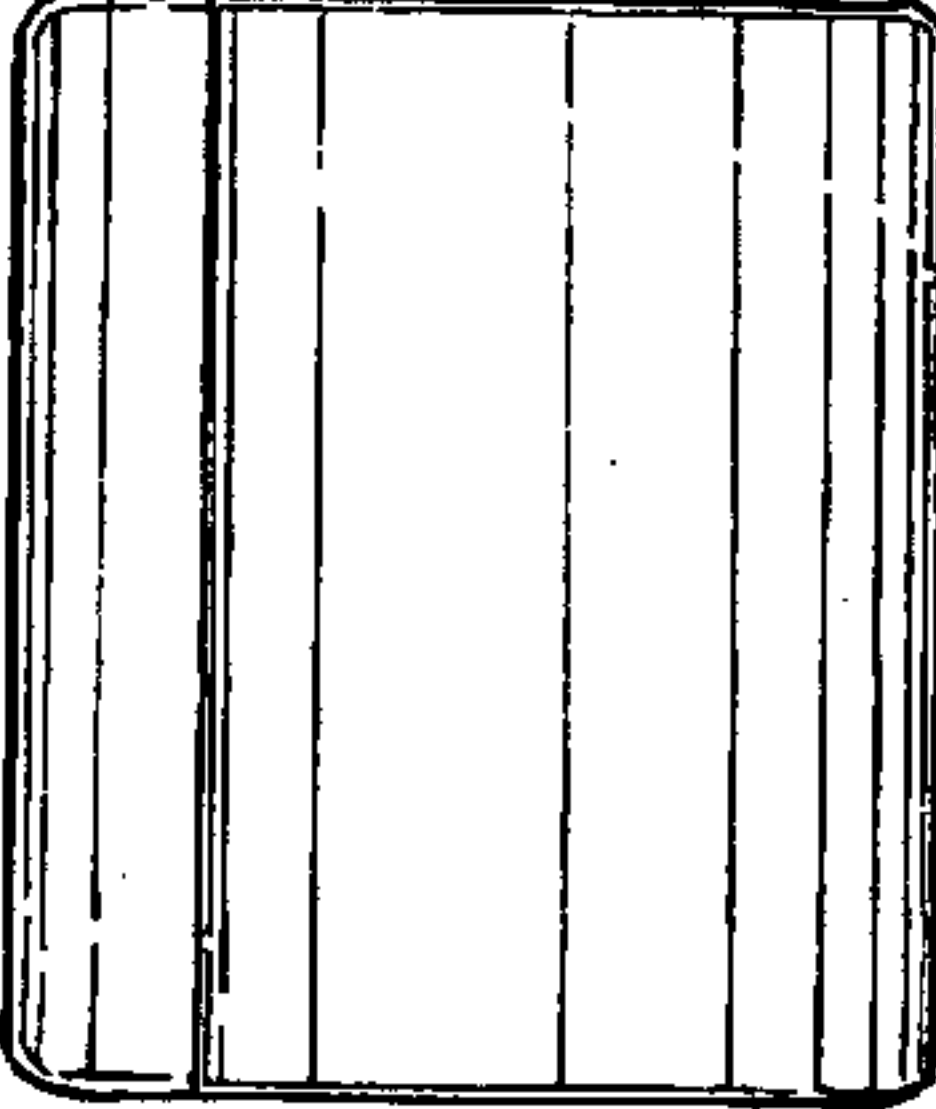


FIG. 3

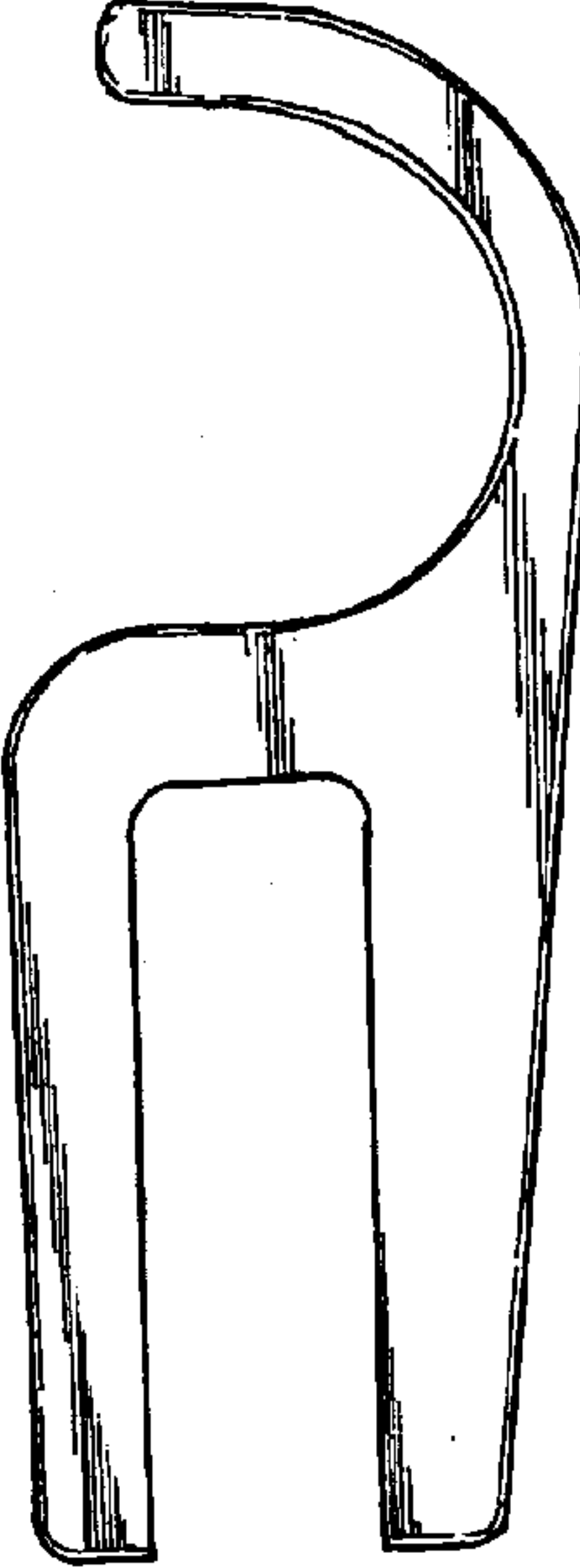


FIG. 4

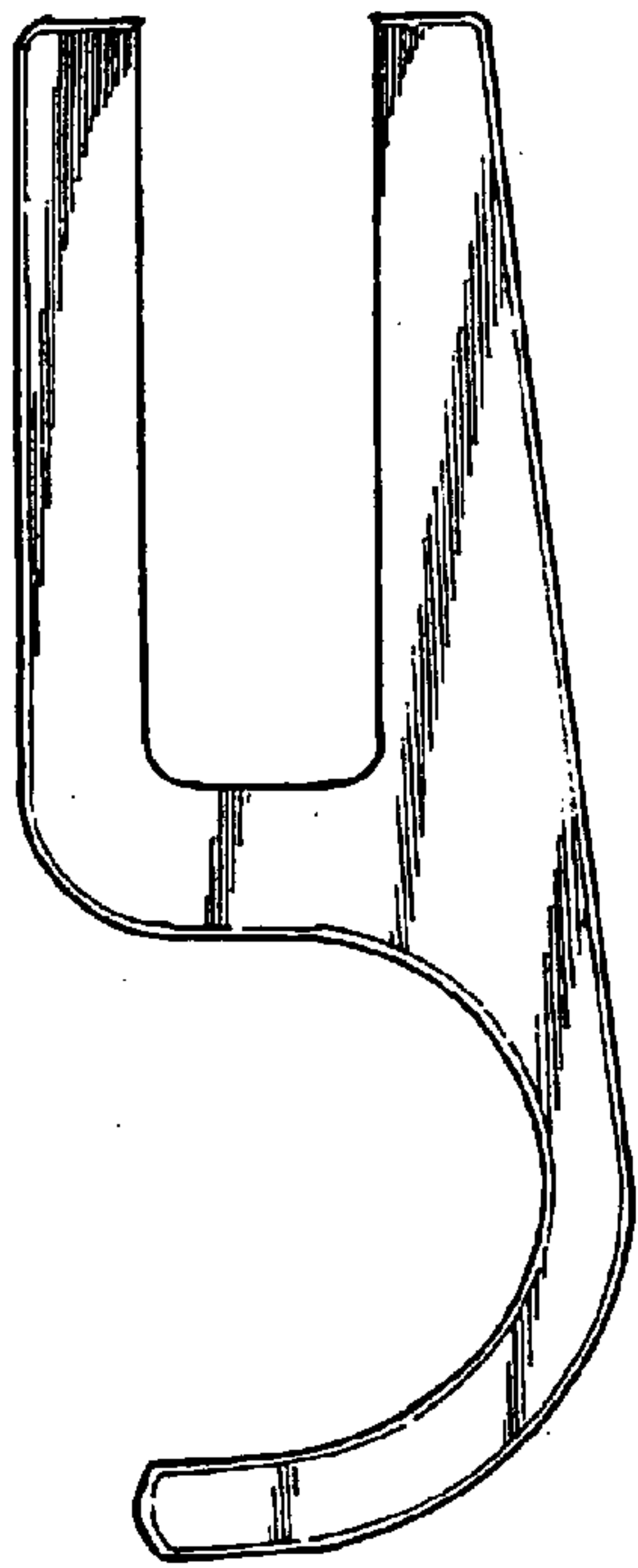


Fig. 5

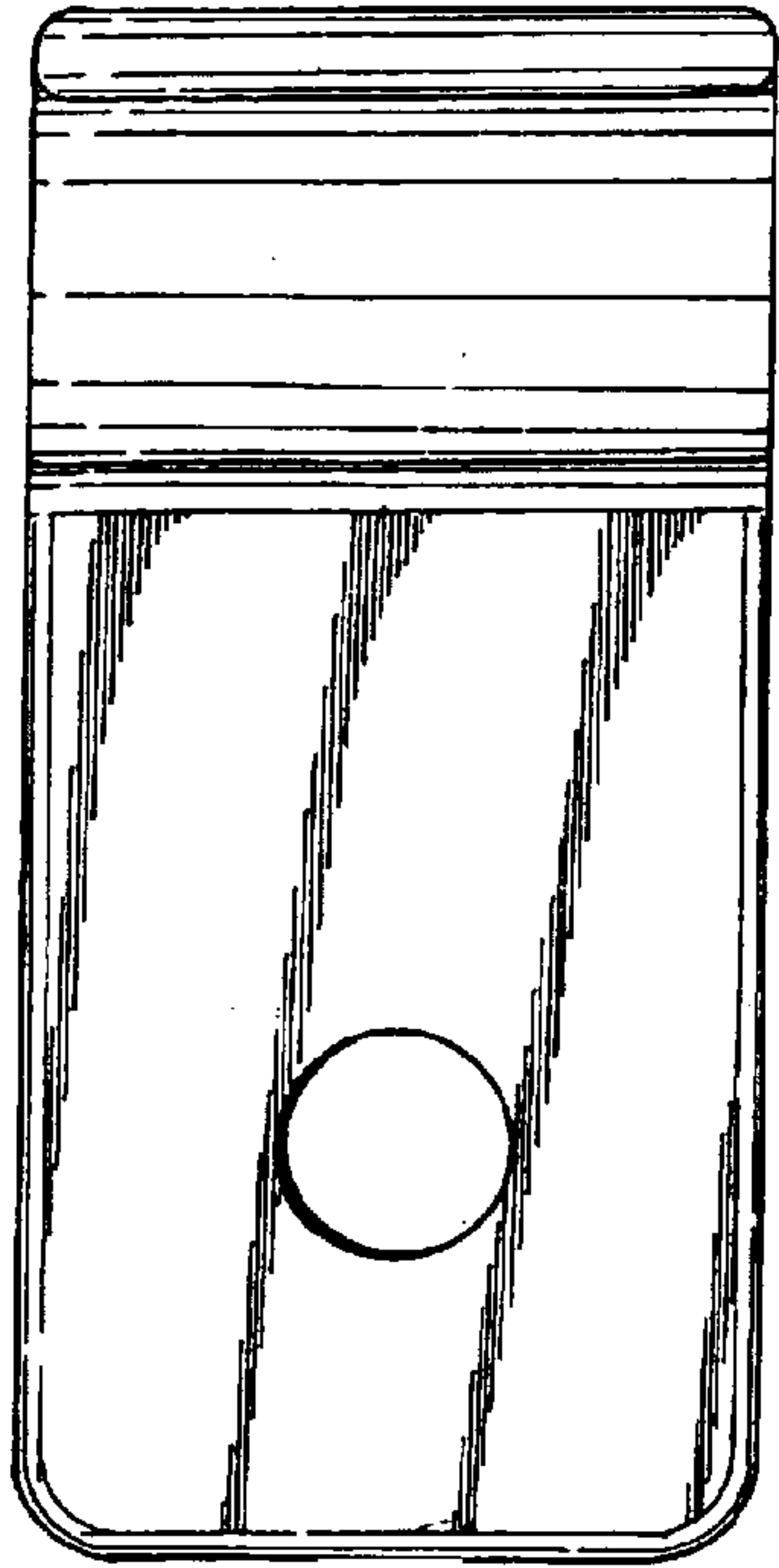


Fig. 6

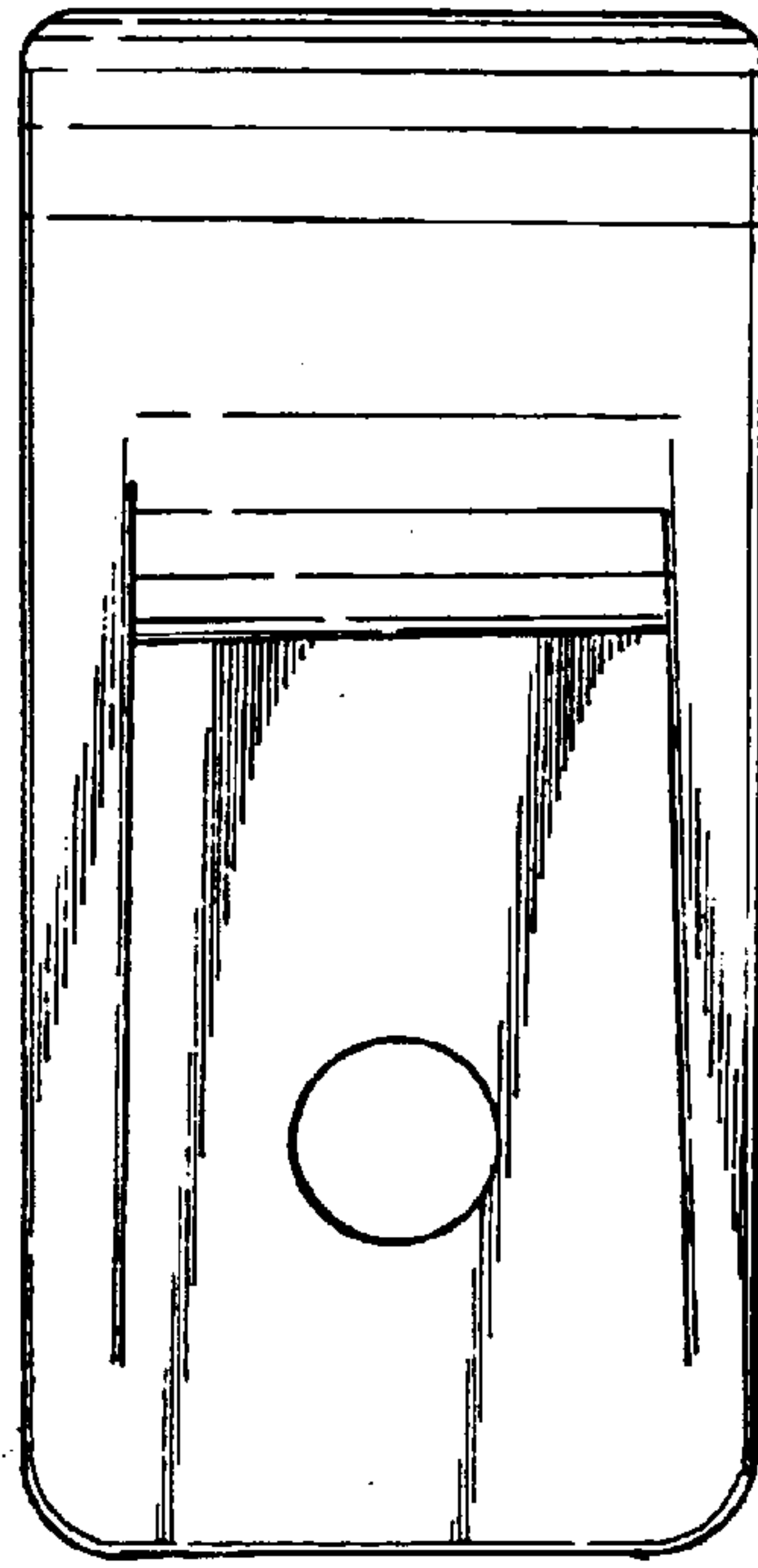


Fig. 7

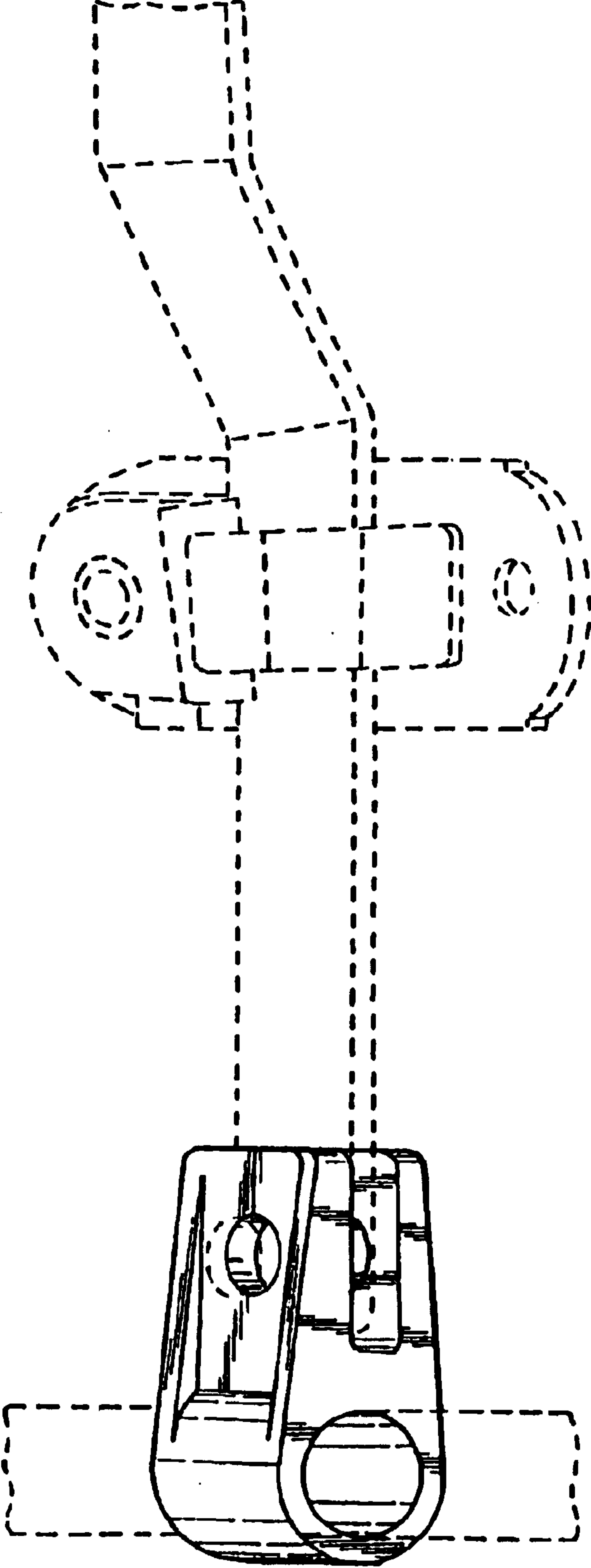


FIG. 8