

US00D494839S1

(12) **United States Design Patent** (10) **Patent No.:** **US D494,839 S**  
**Ford** (45) **Date of Patent:** **\*\* Aug. 24, 2004**

(54) **LATCH TURN MECHANISM**

(76) Inventor: **David E. Ford**, 1015 NW. Silverthorn Dr., Lee's Summit, MO (US) 64081

(\*\*) Term: **14 Years**

(21) Appl. No.: **29/174,423**

(22) Filed: **Jan. 17, 2003**

(51) **LOC (7) Cl.** ..... **08-07**

(52) **U.S. Cl.** ..... **D8/343**

(58) **Field of Search** ..... D8/330, 343, 333, D8/301, 302, 339, 341; 70/77-79, 57, 58, 89, 158, 447, 448, 230, 372, 431; 292/307, DIG. 11, 37

(56) **References Cited**

**U.S. PATENT DOCUMENTS**

3,399,555	A	*	9/1968	Gray et al.	70/369
4,442,341	A	*	4/1984	Lesquereux et al.	219/201
4,712,400	A	*	12/1987	Steinbach	70/369
4,732,562	A	*	3/1988	Palsson	432/224
5,235,832	A		8/1993	Lux et al.	
5,315,850	A	*	5/1994	Edeus et al.	70/129
D350,686	S	*	9/1994	Myers	D8/343
D364,548	S	*	11/1995	Platt	D8/331
D410,190	S	*	5/1999	Freck	D8/331
D435,781	S		1/2001	Freck	
D469,680	S	*	2/2003	Laabs et al.	D8/343

**OTHER PUBLICATIONS**

Sales Literature for Sarasota TL 800 Thumb Turn Latch of Sarasota Quality Products, 27330 Center Ridge Road, Westlake, OH 44145.

Sales Literature for Sarasota LA 800 Thumb Turn Latch of Sarasota Quality Products, 27330 Center Ridge Road, Westlake, OH 44145.

Two photographs showing side view and top view of Thumb Turn Latch on sale more than one year prior to the filing of the present application.

Sales literature showing ACRR Industries, Inc. Thumb Locks, item Nos. 31-9040 through 9042 on p. 146, exact publication date unknown, but believed to be more than one year prior to the filing of the present application.

\* cited by examiner

*Primary Examiner*—Prabhakar Deshmukh

(74) *Attorney, Agent, or Firm*—Erickson & Kleypas, L.L.C.

(57) **CLAIM**

The ornamental design for a latch turn mechanism, as shown and described.

**DESCRIPTION**

FIG. 1 is a perspective view of the latch turn mechanism in accordance with the present invention.

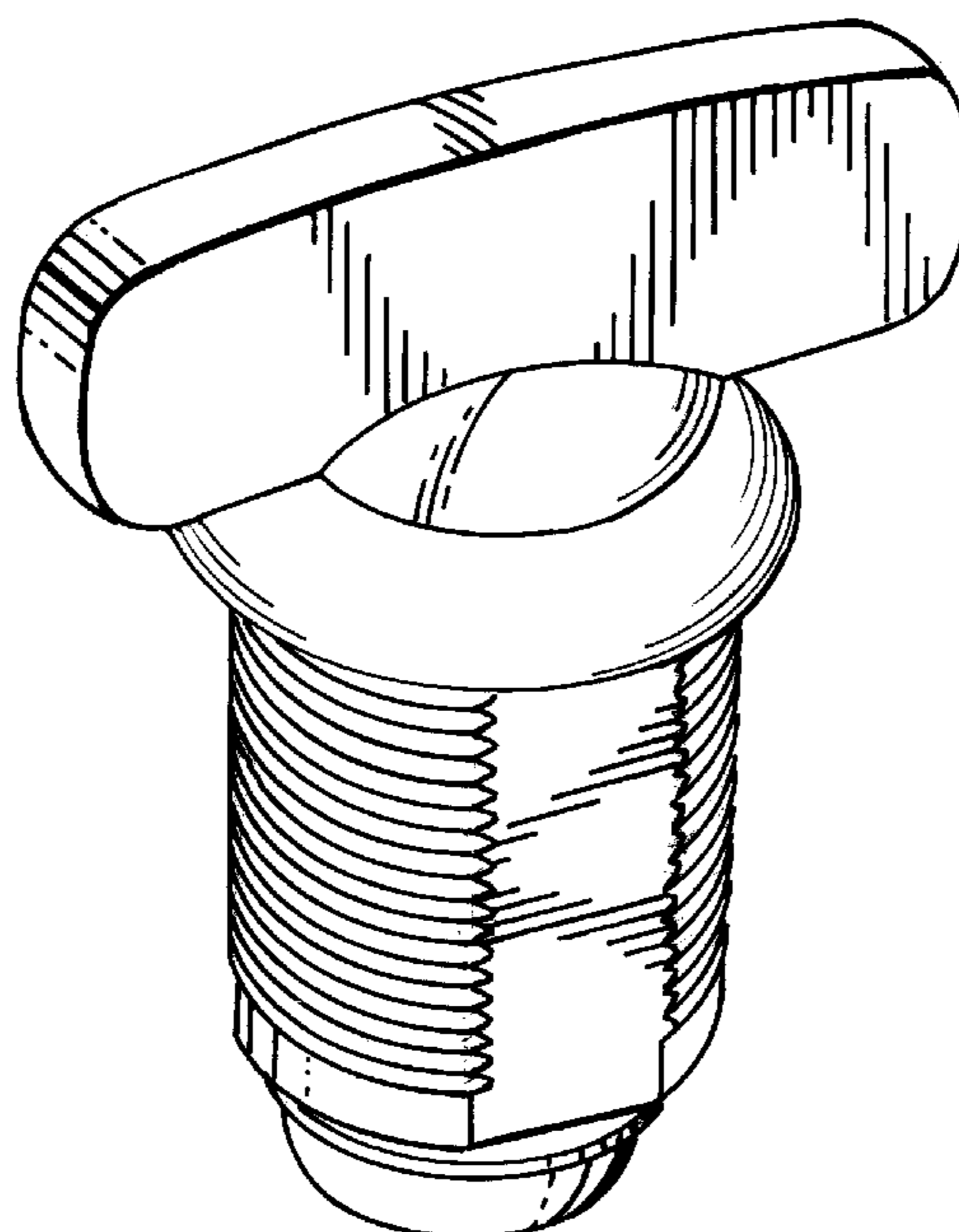
FIG. 2 is a front elevational view of the latch turn mechanism of FIG. 1, the rear elevational view being a mirror image thereof.

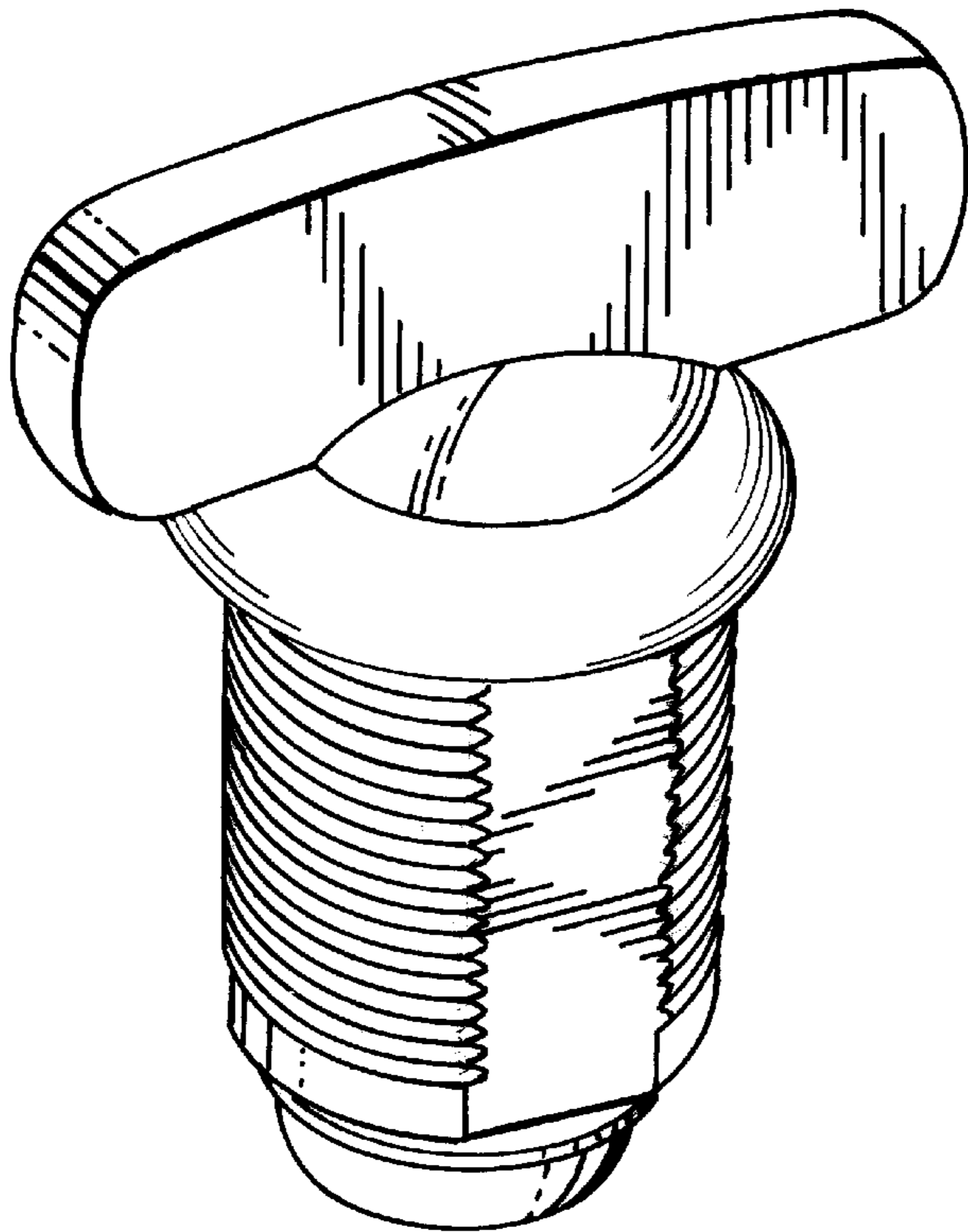
FIG. 3 is a right side elevational view of the latch turn mechanism of FIG. 1, the left side elevational view being a mirror image thereof.

FIG. 4 is a top plan view of the latch turn mechanism of FIG. 1; and,

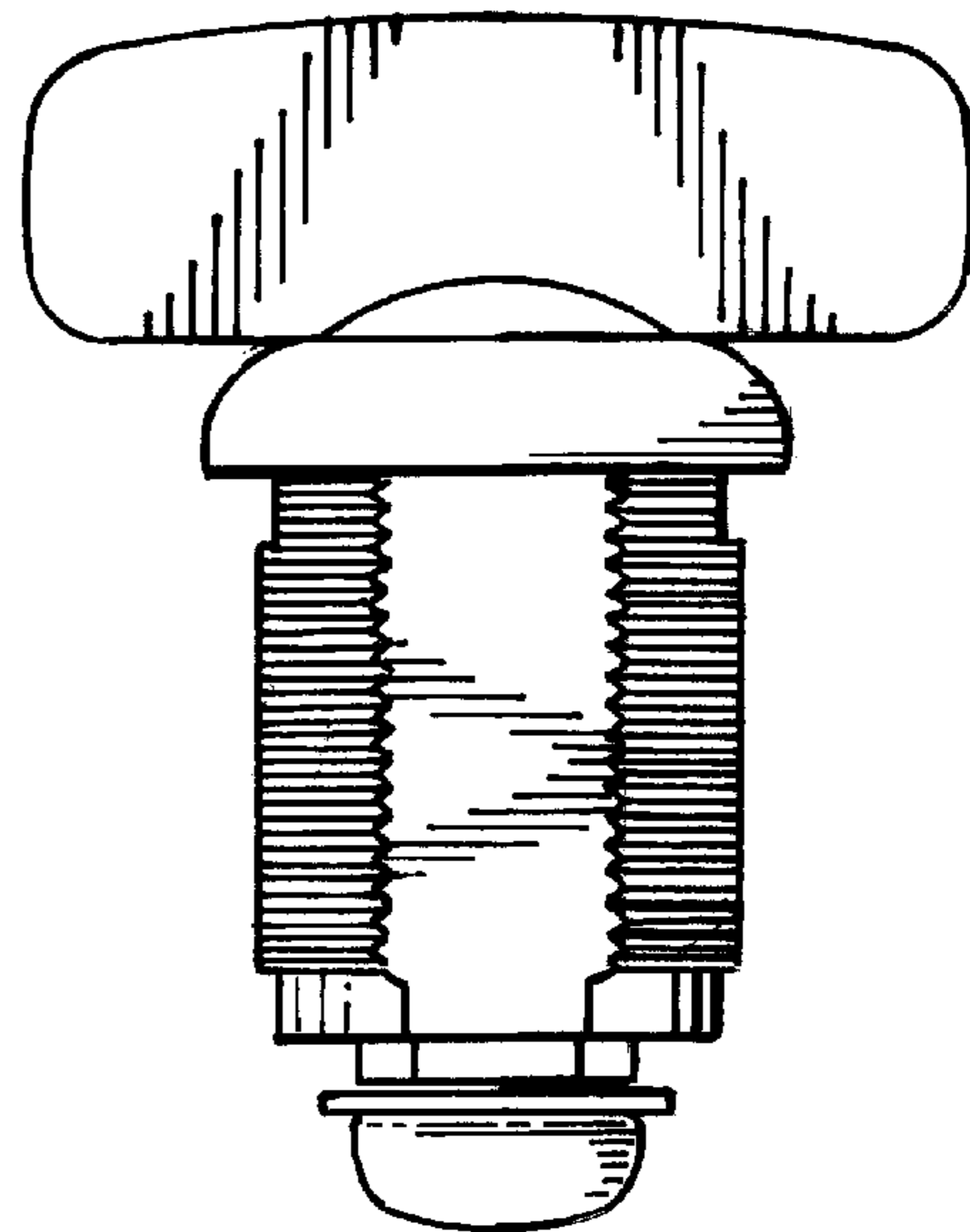
FIG. 5 is a bottom plan view of the latch turn mechanism of FIG. 1.

**1 Claim, 1 Drawing Sheet**

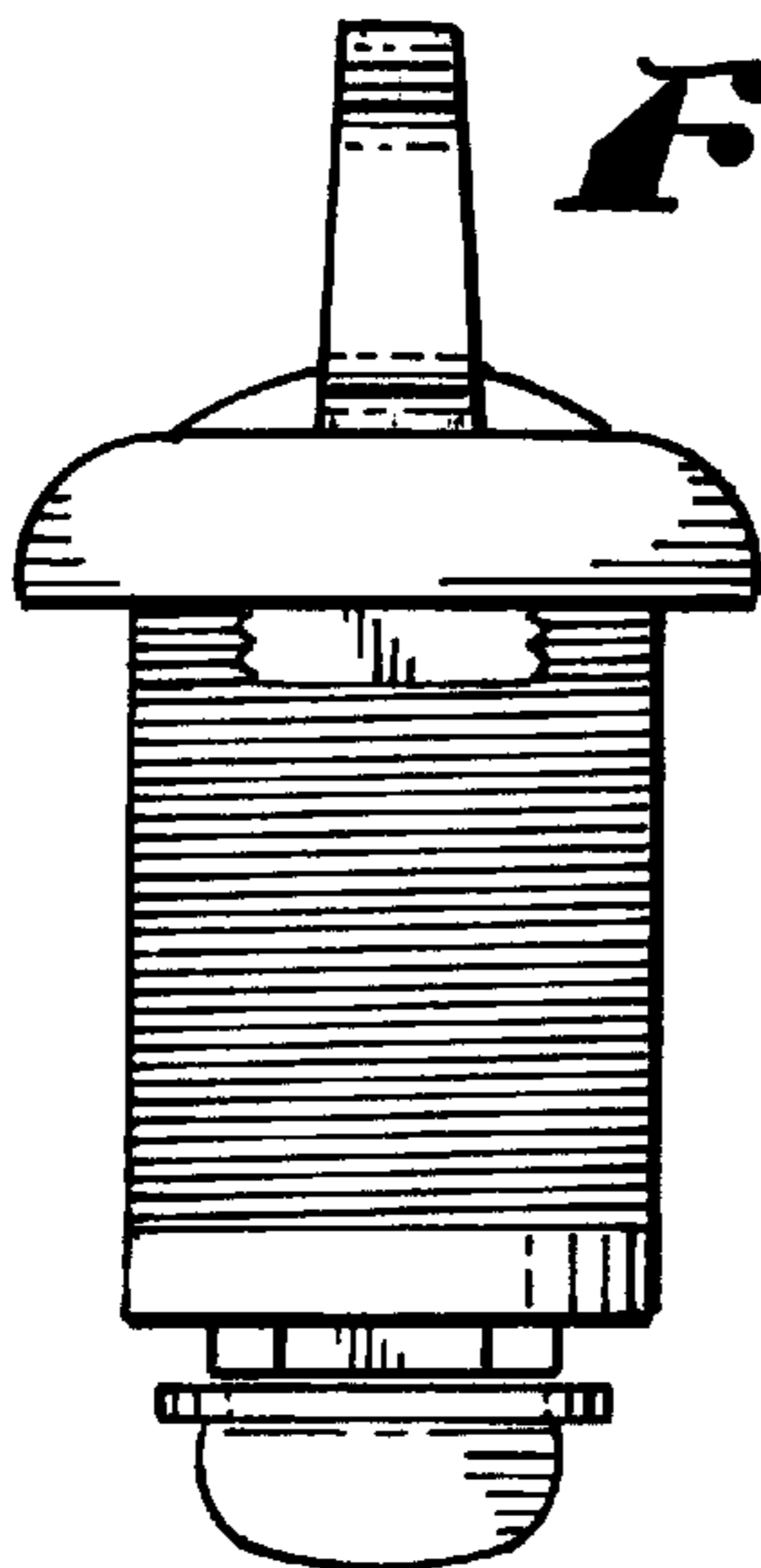




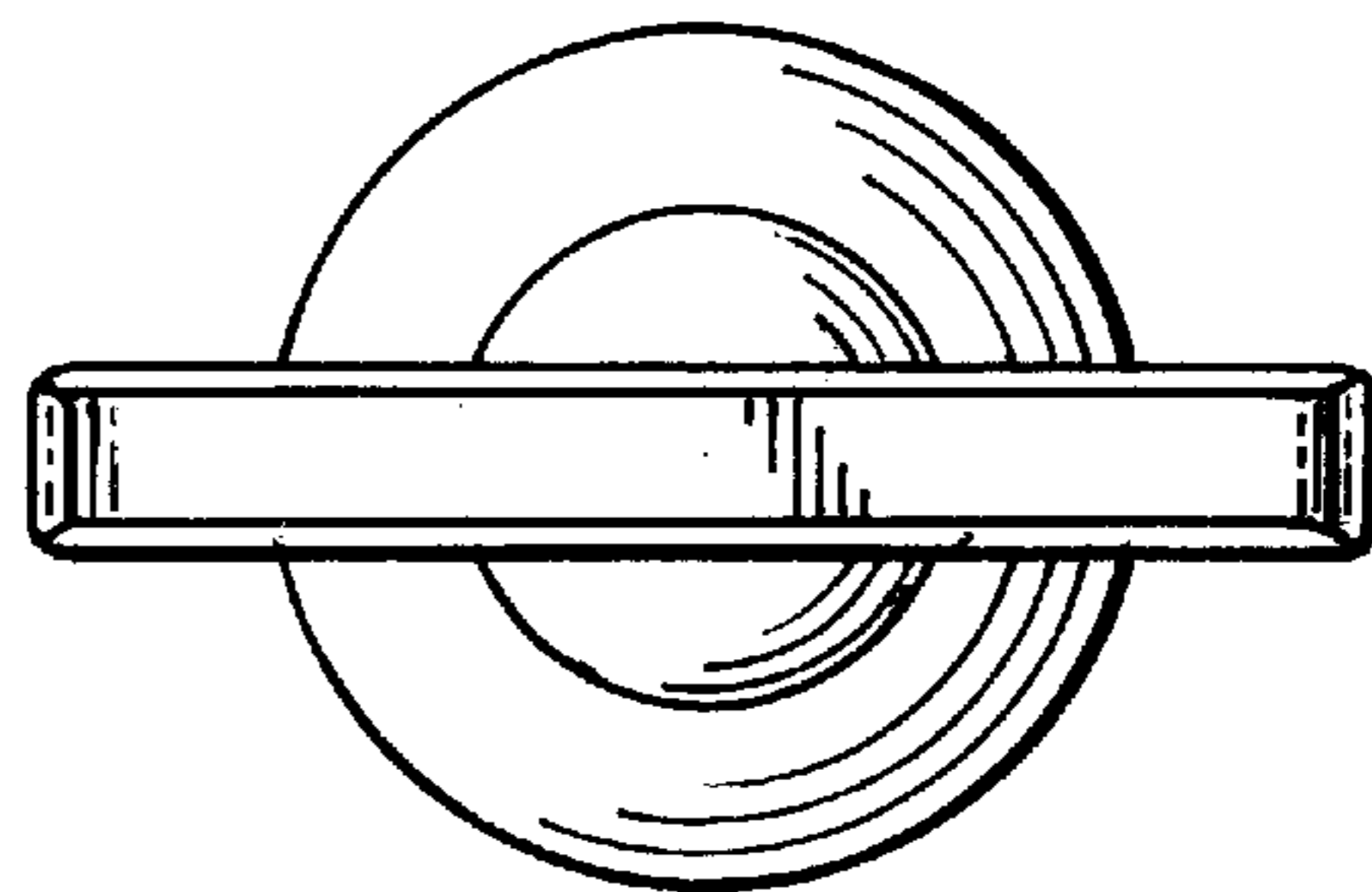
*Fig. 1.*



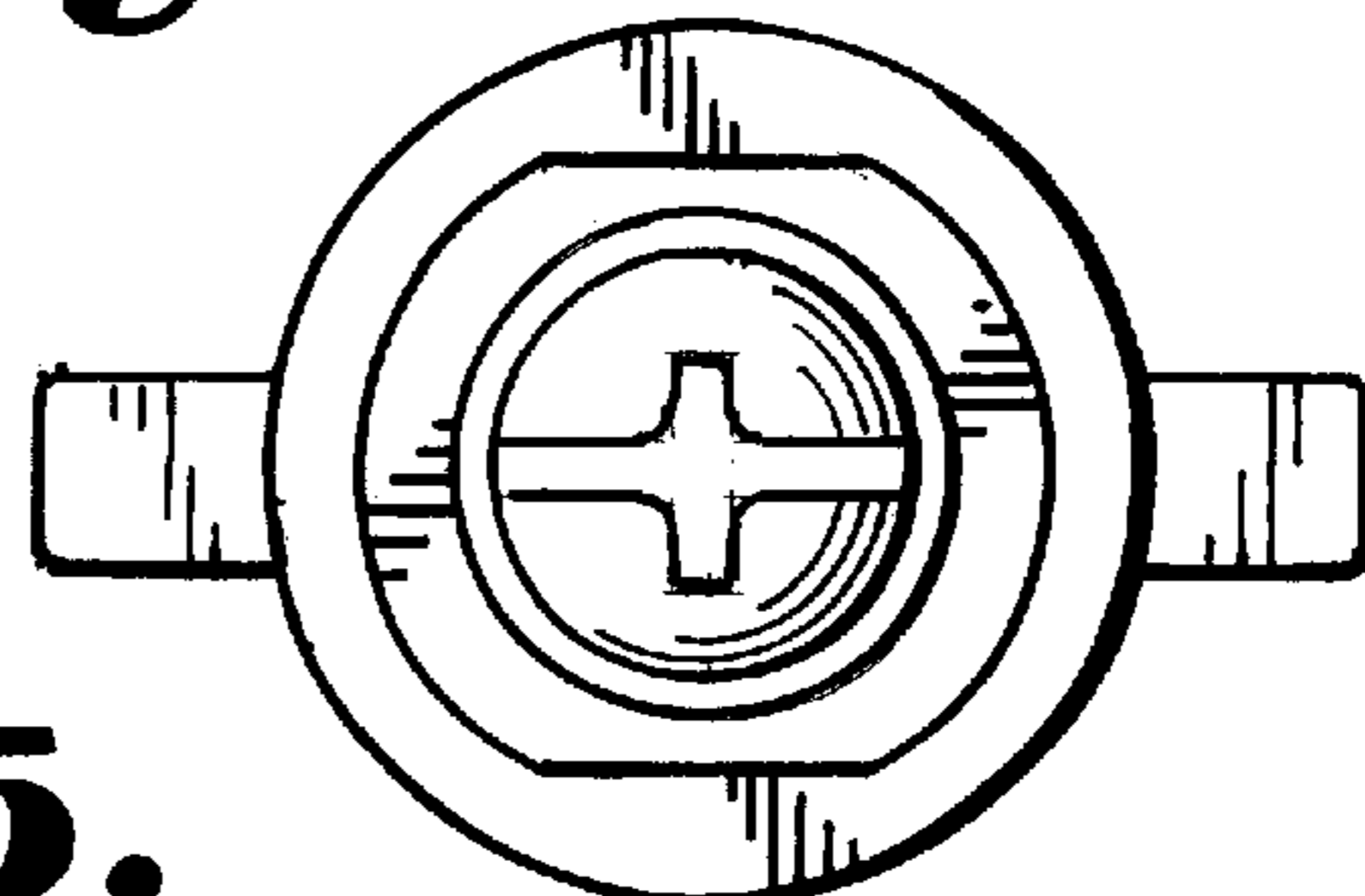
*Fig. 2.*



*Fig. 3.*



*Fig. 4.*



*Fig. 5.*