

US00D494838S1

(12) **United States Design Patent**
Childres

(10) **Patent No.:** **US D494,838 S**

(45) **Date of Patent:** **** Aug. 24, 2004**

(54) **TRUCK DASHBOARD-MOUNTED AIR BRAKE LOCK**

(76) Inventor: **Christian E. Childres**, 7261 Eagles Perch Ct., Jacksonville, FL (US) 32244

(**) Term: **14 Years**

(21) Appl. No.: **29/175,290**

(22) Filed: **Feb. 3, 2003**

(51) **LOC (7) Cl.** **08-07**

(52) **U.S. Cl.** **D8/339; D12/180**

(58) **Field of Search** D12/180; 188/73.45, 188/73.1, 71.1; 70/226, 227, 232, 237, 238, 209, 58, 211, 14, 212; D8/339, 331

(56) **References Cited**

U.S. PATENT DOCUMENTS

D342,710 S	*	12/1993	Shelton	D12/180
D391,139 S	*	2/1998	Gilliam	D8/331
D392,234 S	*	3/1998	Wallace	D12/180
5,873,271 A	*	2/1999	Smith	70/58
D418,098 S	*	12/1999	Wallace	D12/180
D432,898 S	*	10/2000	Heath	D8/331
6,305,107 B1	*	10/2001	Parenti	40/201

D459,970 S * 7/2002 Niswanger D8/331

* cited by examiner

Primary Examiner—Melody N. Brown

(57) **CLAIM**

The ornamental design for a truck dashboard-mounted air brake lock, as shown and described.

DESCRIPTION

FIG. 1 is a front elevational view of a truck dashboard-mounted air brake lock showing my new design.

FIG. 2 is a back elevational view of the truck dashboard-mounted air brake lock.

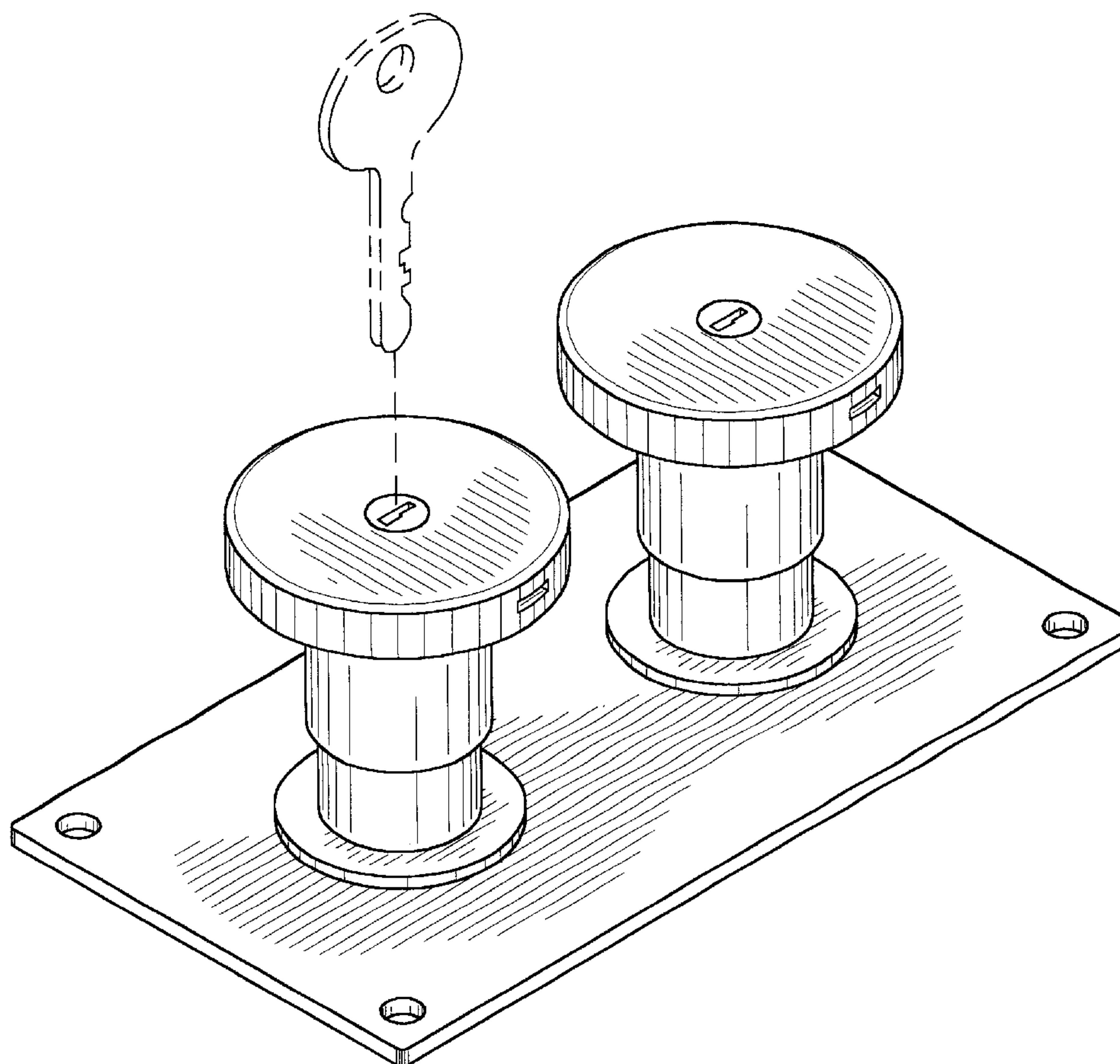
FIG. 3 is a left side elevational view of the truck dashboard-mounted air brake lock.

FIG. 4 is a right side elevational of the truck dashboard-mounted air brake lock.

FIG. 5 is a top plan view of the truck dashboard-mounted air brake lock; and,

FIG. 6 is a perspective view of the truck dashboard-mounted air brake lock, the key shown in broken lines are for illustrative purposes only and form no part of the claimed design.

1 Claim, 3 Drawing Sheets



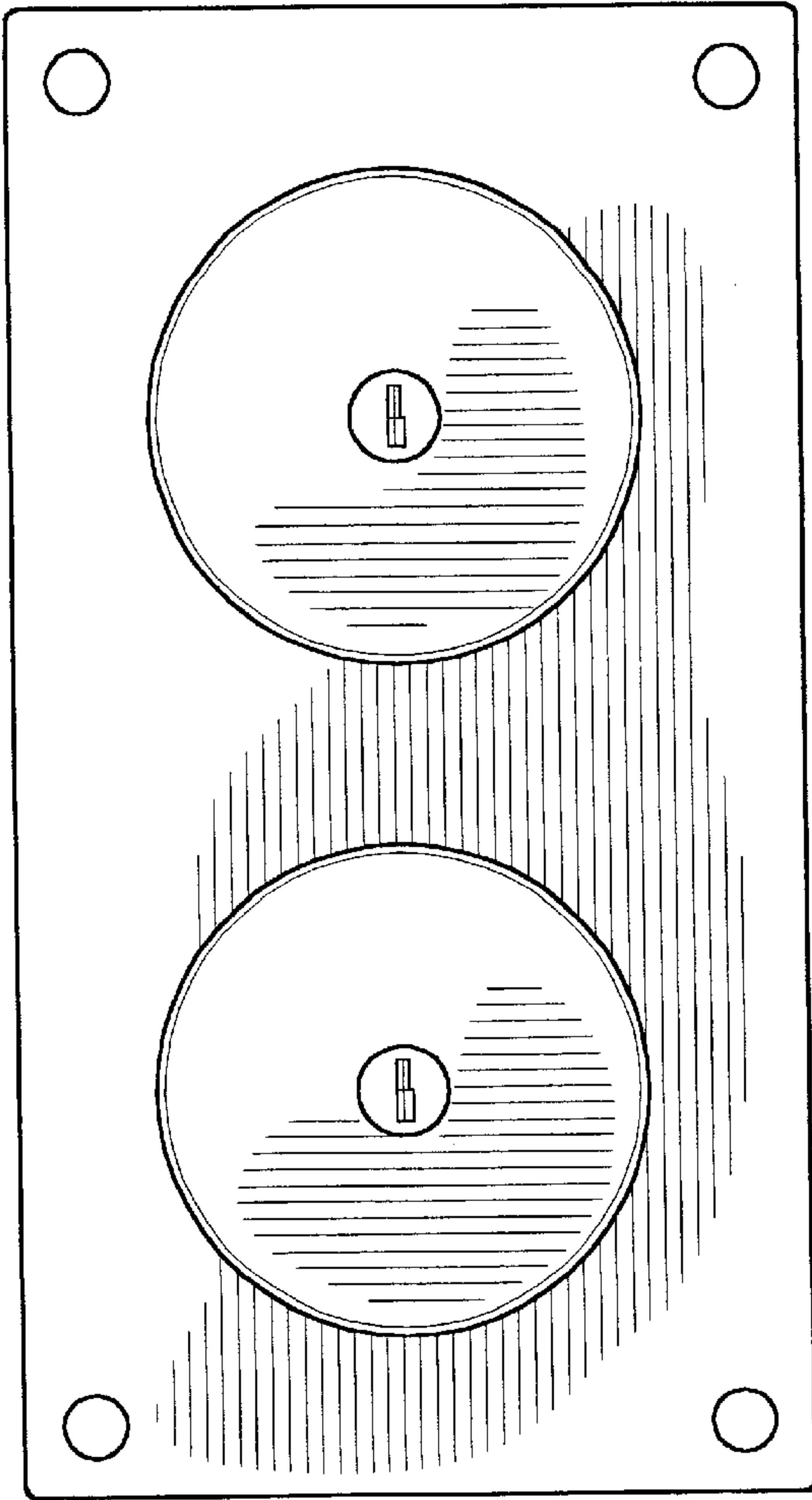


FIG. 1

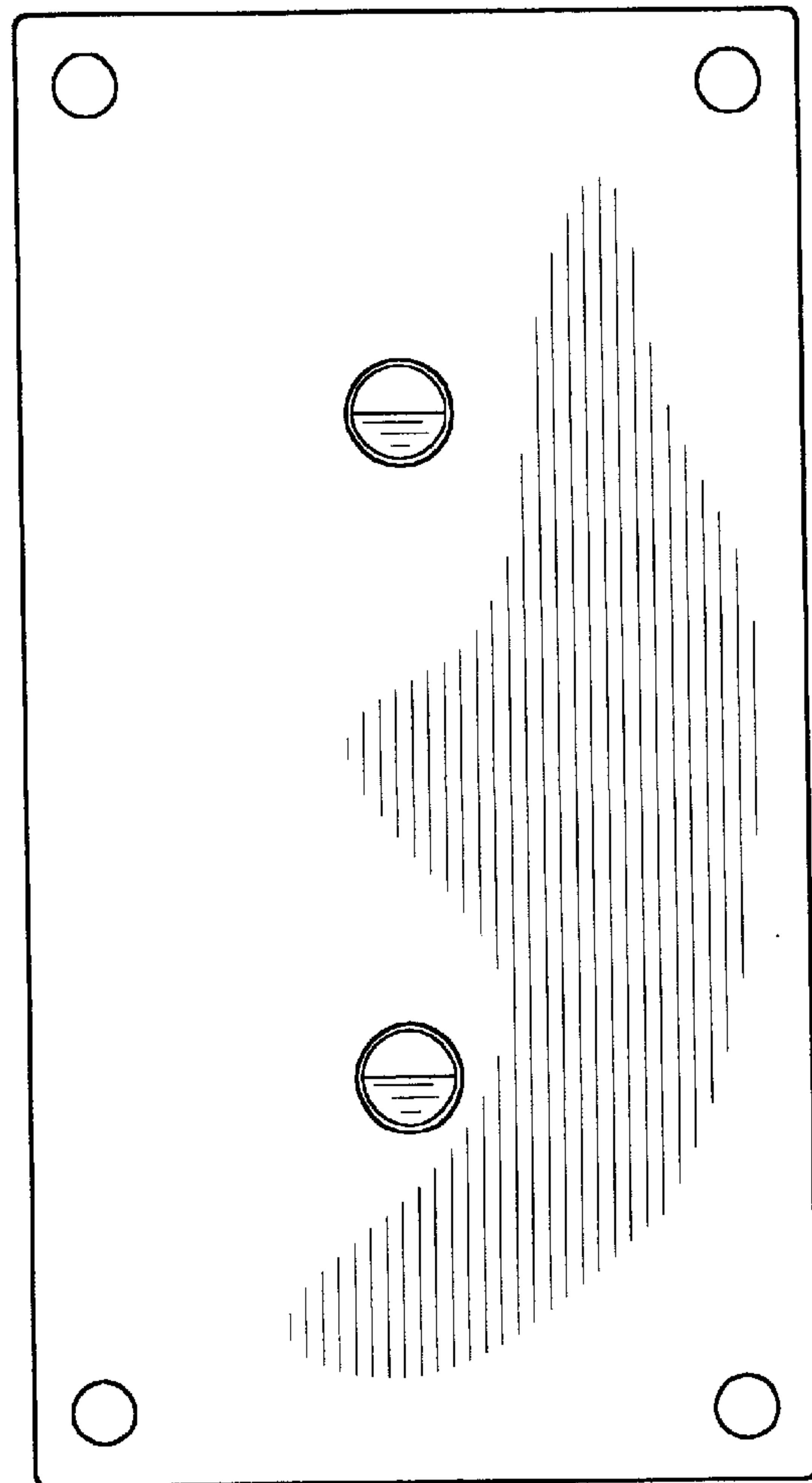


FIG. 2

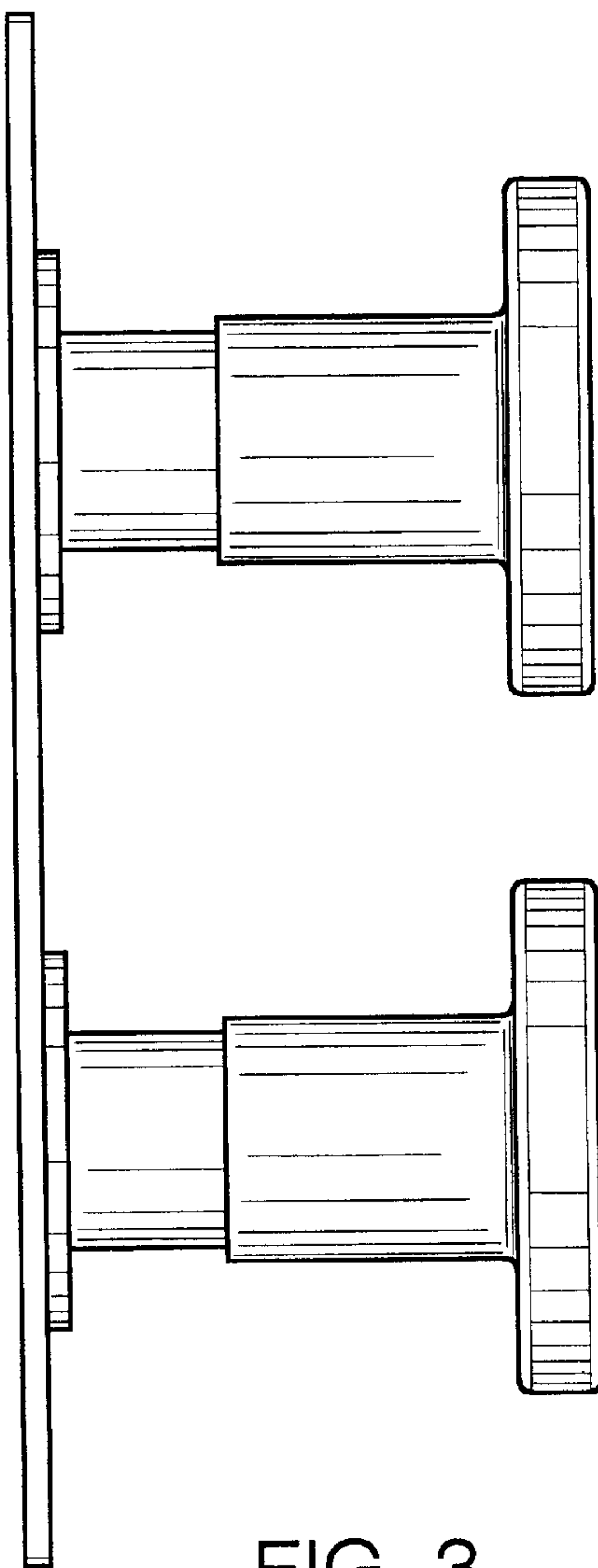


FIG. 3

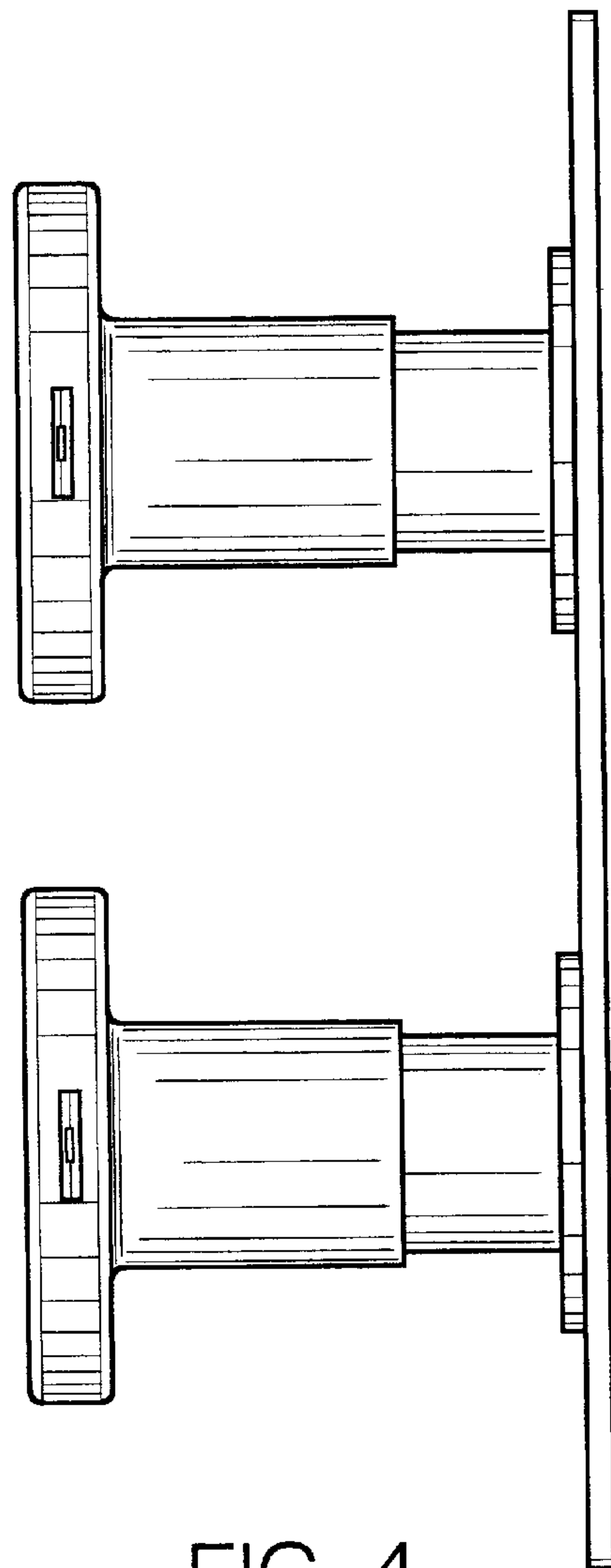


FIG. 4

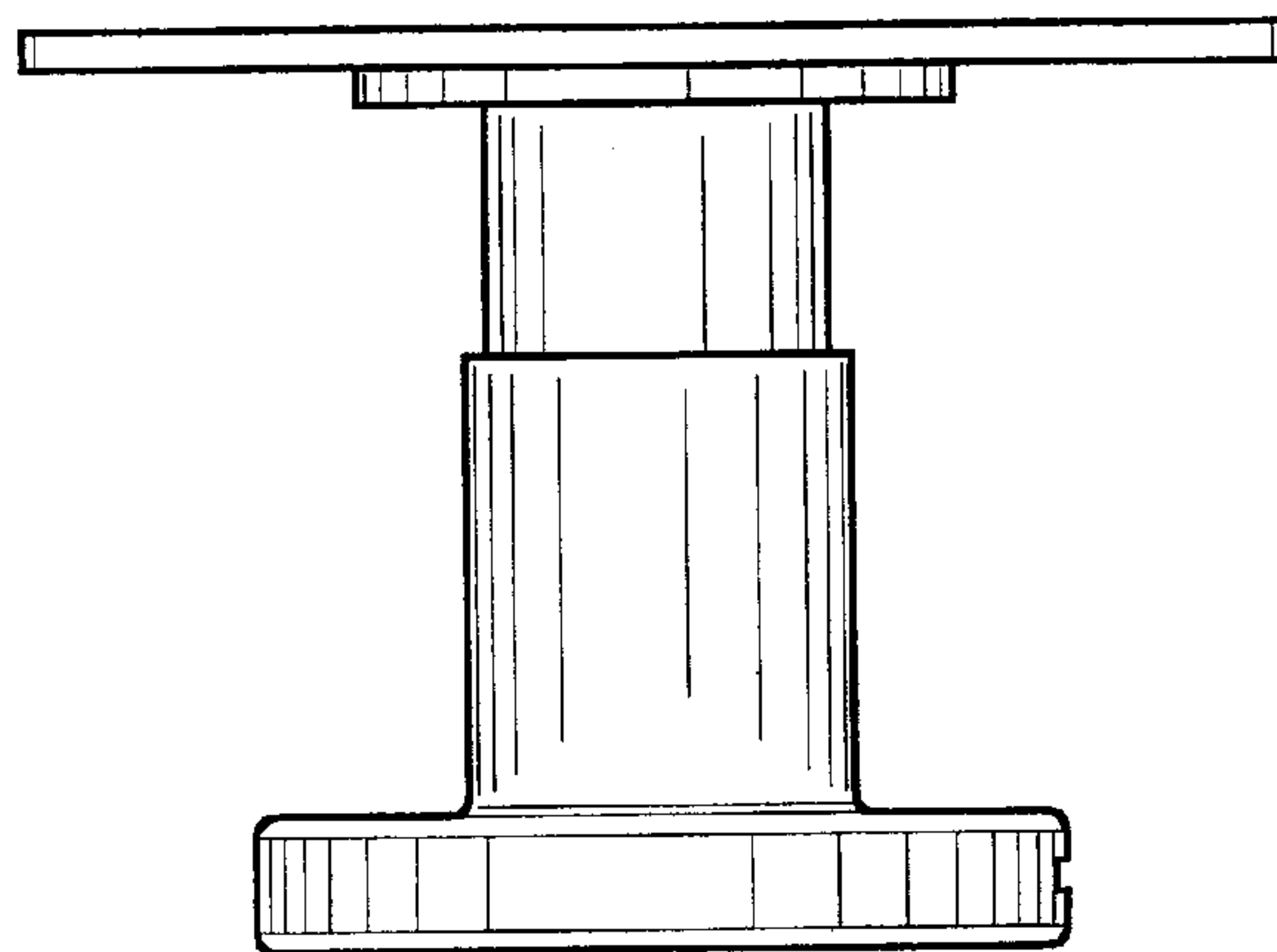


FIG. 5

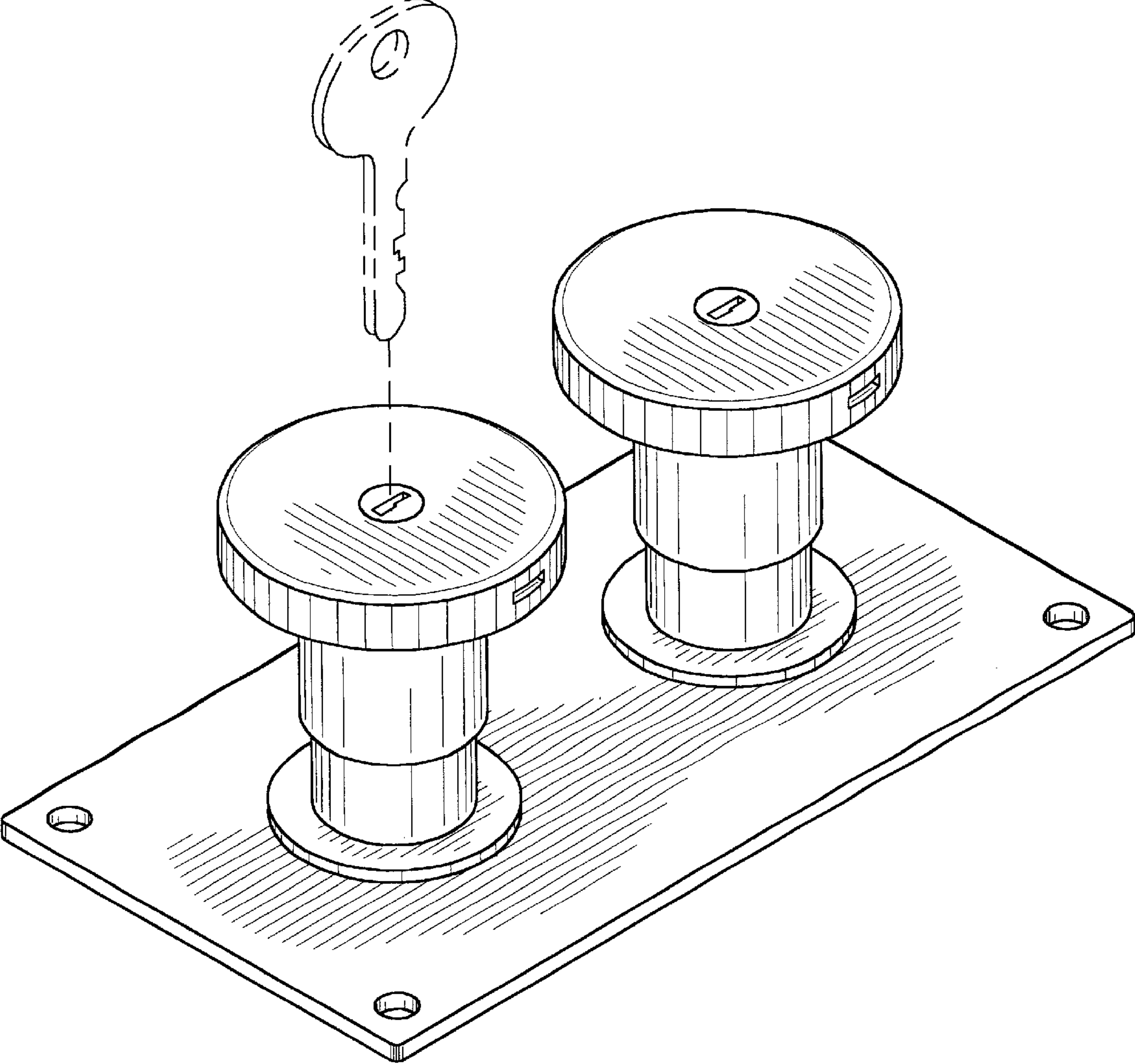


FIG. 6