



US00D494837S1

(12) **United States Design Patent**
Vito

(10) **Patent No.:** **US D494,837 S**

(45) **Date of Patent:** **** Aug. 24, 2004**

(54) **LOCK**

(76) **Inventor:** **Robert A. Vito**, 1434 Sugartown Rd.,
Berwyn, PA (US) 19312

(**) **Term:** **14 Years**

(21) **Appl. No.:** **29/169,632**

(22) **Filed:** **Oct. 23, 2002**

Related U.S. Application Data

(63) Continuation-in-part of application No. 10/243,239, filed on Sep. 13, 2002, and a continuation-in-part of application No. 29/166,890, filed on Sep. 5, 2002, and a continuation-in-part of application No. 29/169,315, filed on Oct. 17, 2002.

(51) **LOC (7) Cl.** **08-07**

(52) **U.S. Cl.** **D8/331**

(58) **Field of Search** D8/330, 331, 336,
D8/339, 343, 344; 70/207, 209, 210, 218,
225, 226, 227, 233, 234, 237, 252, 431,
448, 51-54

(56) **References Cited**

U.S. PATENT DOCUMENTS

153,312 A	7/1874	Broome et al.	
1,337,568 A	4/1920	Shannon et al.	
1,503,210 A	7/1924	Shannon	
3,754,418 A	8/1973	Miller	
3,754,420 A	8/1973	Oellerich	
3,800,570 A	4/1974	Kaplan	
3,924,426 A	12/1975	Zane et al.	
4,545,224 A	10/1985	Zane	
4,736,921 A	4/1988	Zane et al.	
5,010,746 A	4/1991	Zane et al.	
5,092,142 A	3/1992	Zane et al.	
5,194,845 A	* 3/1993	Sirmon et al.	70/233

5,406,812 A	*	4/1995	Jaw	70/233
D358,542 S	*	5/1995	Byrd, Jr.	D8/343
5,505,064 A	*	4/1996	Wang	70/53
5,647,520 A		7/1997	McDaid	
5,706,679 A		1/1998	Zane et al.	
5,794,462 A		8/1998	Steele et al.	
5,823,021 A	*	10/1998	Chang	70/233
6,101,852 A	*	8/2000	Steinbach	70/51
6,321,961 B1		11/2001	McDaid et al.	
6,360,571 B1	*	3/2002	O'Neal	70/226
6,422,442 B1		7/2002	McDaid et al.	
D472,450 S	*	4/2003	Vito	D8/331
6,619,084 B2	*	9/2003	Kuo	70/233

* cited by examiner

Primary Examiner—Prabhakar Deshmukh

(74) *Attorney, Agent, or Firm*—Volpe and Koenig, P.C.

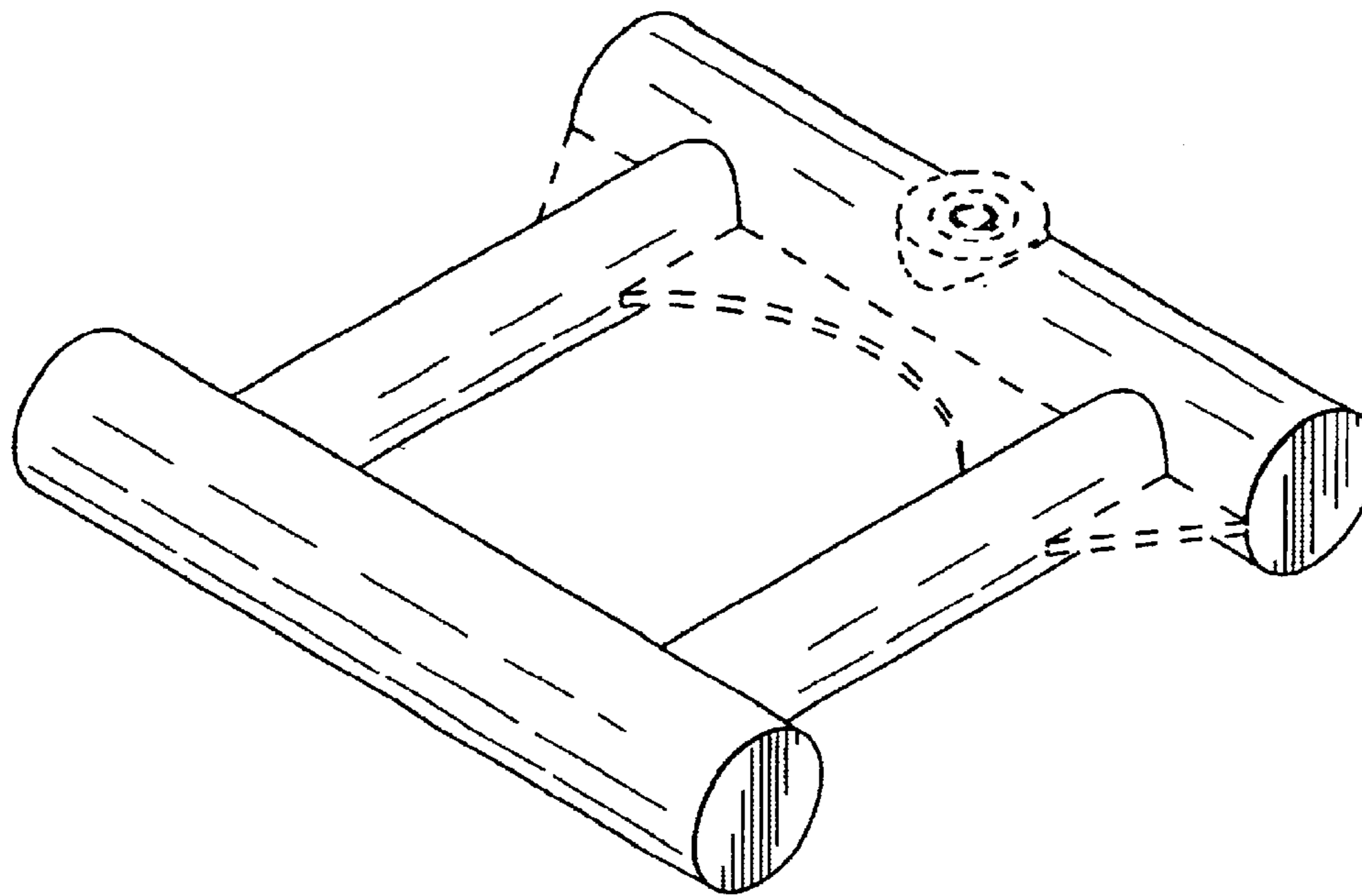
(57) **CLAIM**

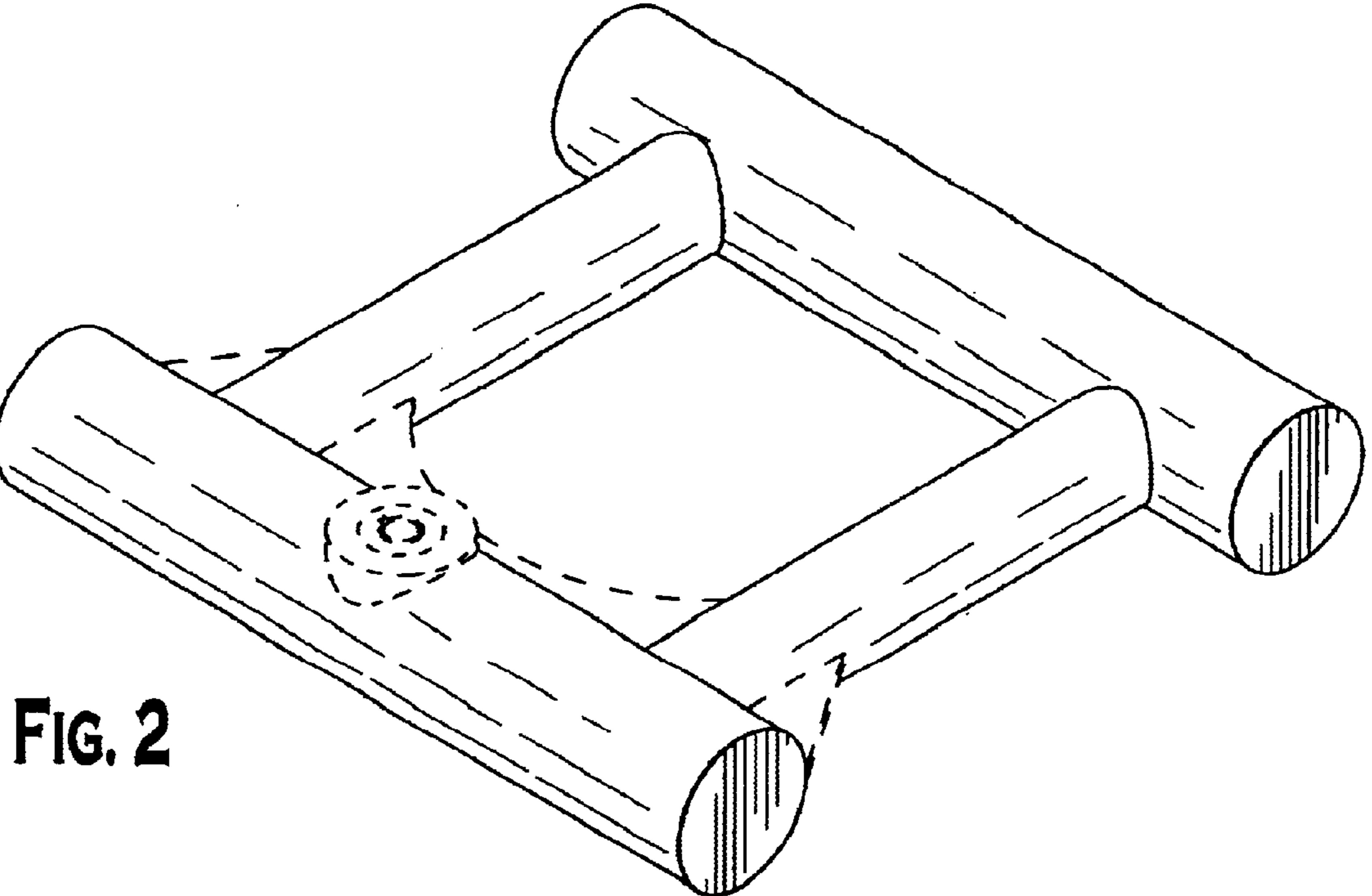
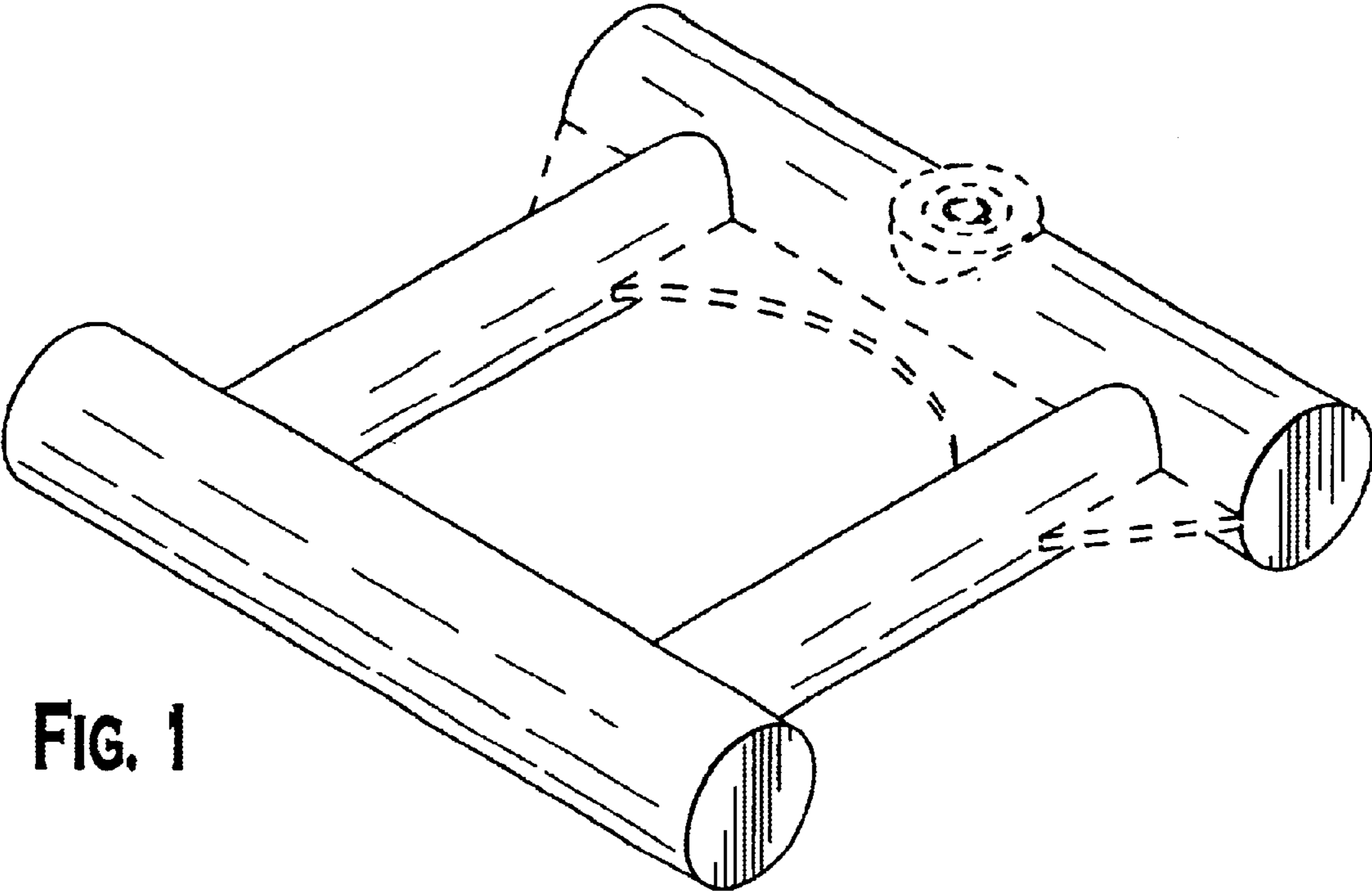
The ornamental design for a lock, as shown and described.

DESCRIPTION

FIG. 1 is a perspective view of a lock according to my new design;
 FIG. 2 is a second perspective view of the lock of FIG. 1;
 FIG. 3 is a top plan view of the lock of FIG. 1;
 FIG. 4 is a front elevational view of the lock of FIG. 1;
 FIG. 5 is a bottom plan view of the lock of FIG. 1;
 FIG. 6 is a rear elevational view of the lock of FIG. 1;
 FIG. 7 is a left side elevational view of the lock of FIG. 1;
 and,
 FIG. 8 is a right side elevational view of the lock of FIG. 1.
 The dashed lines in FIGS. 1-8 represent environment and are for illustrative purposes only and do not constitute part of the claimed design.

1 Claim, 4 Drawing Sheets





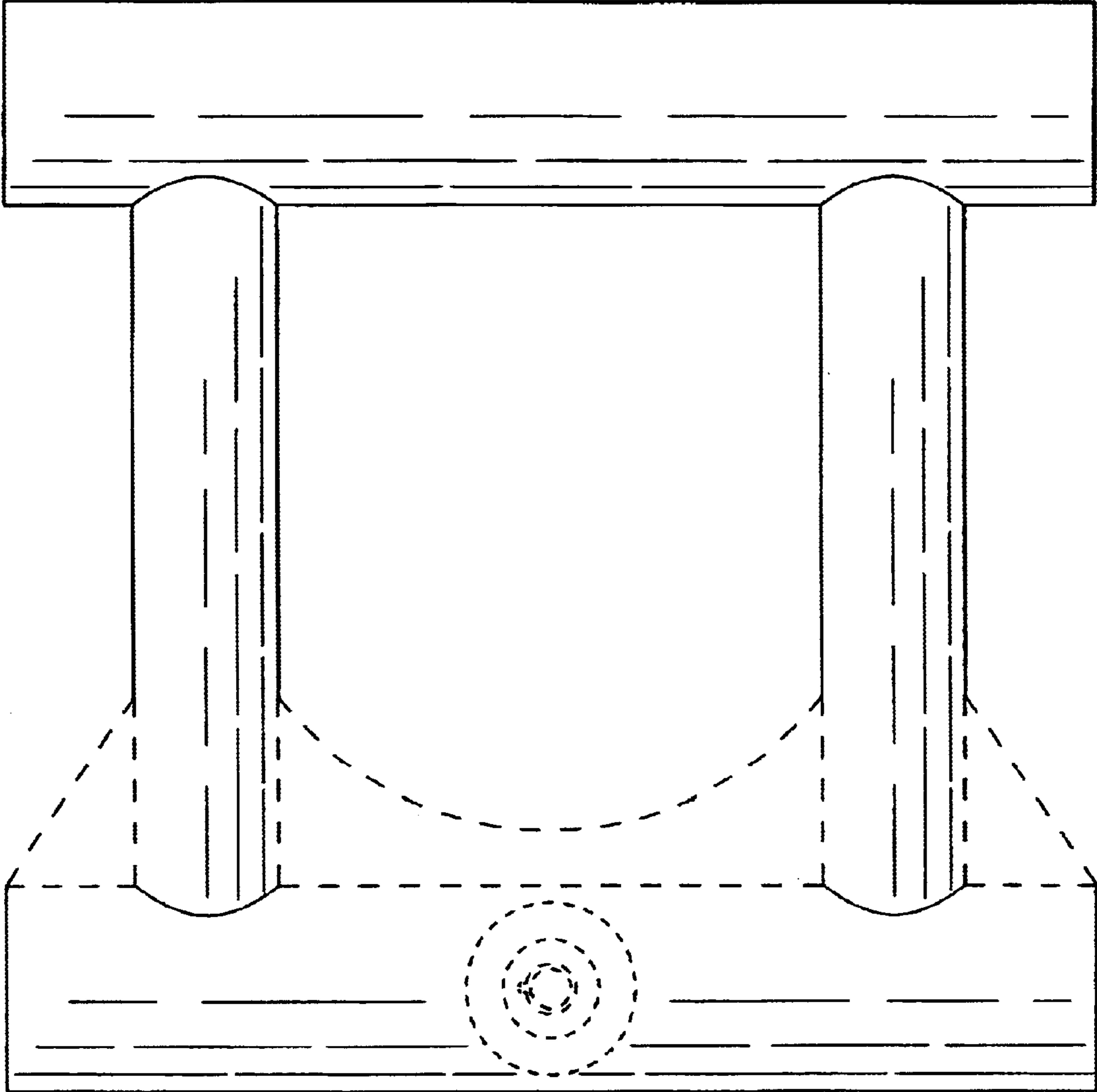


FIG. 3

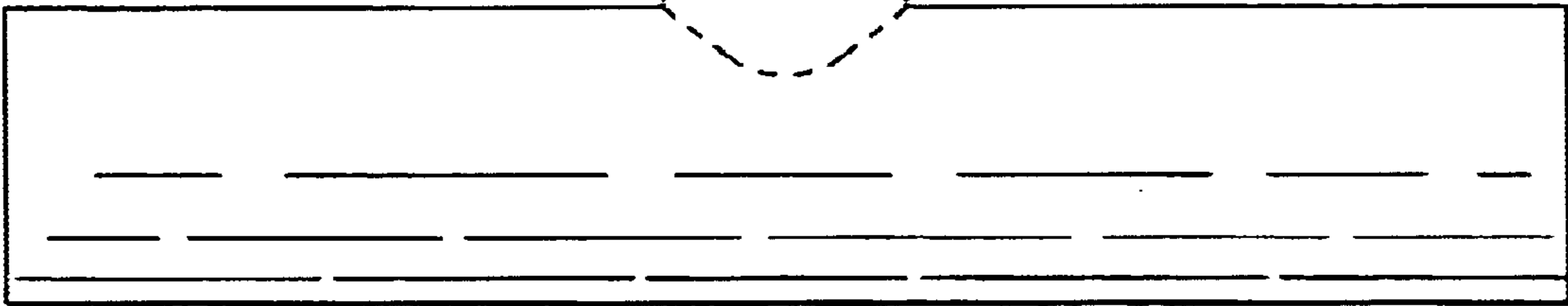


FIG. 4

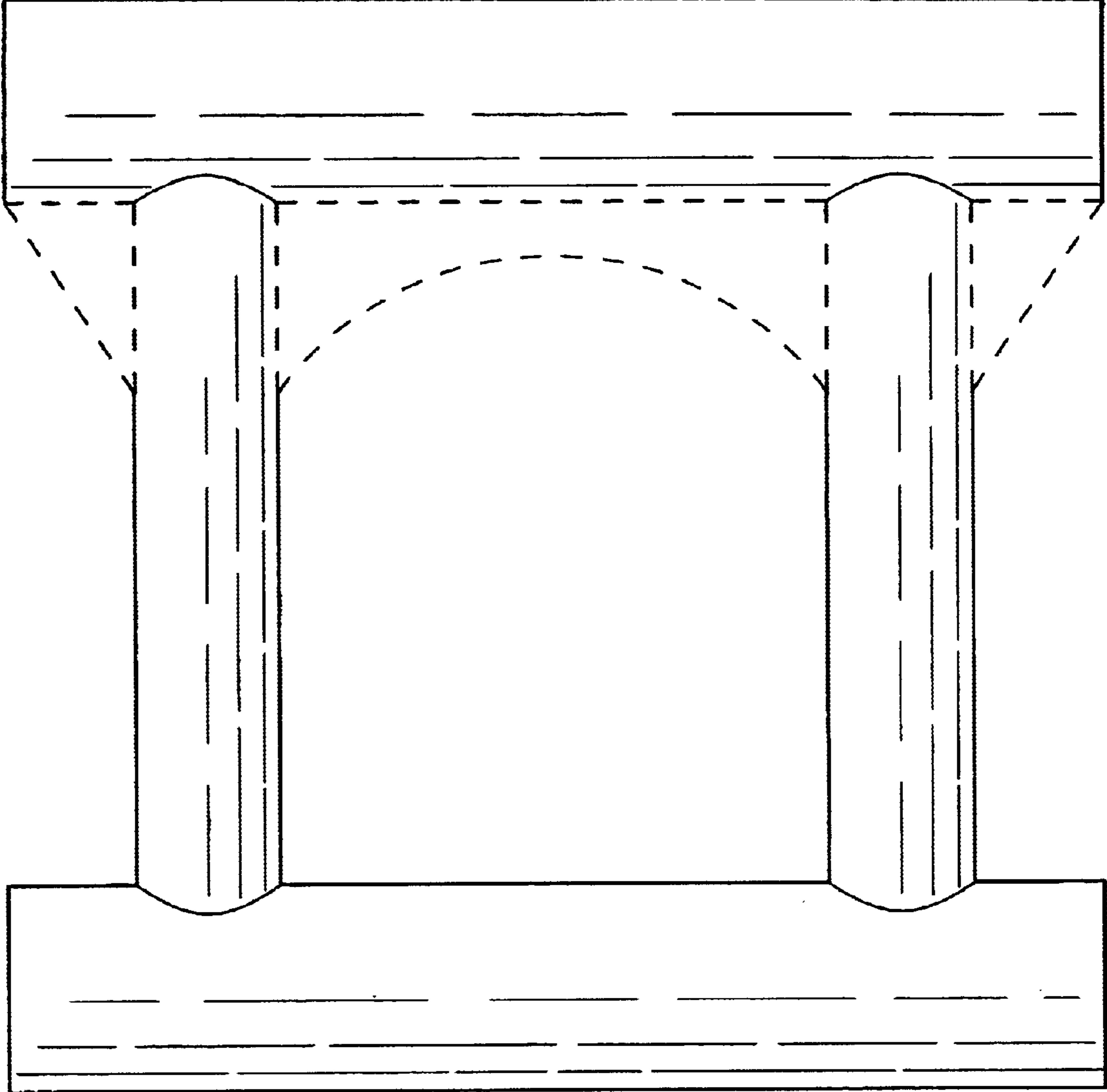


FIG. 5

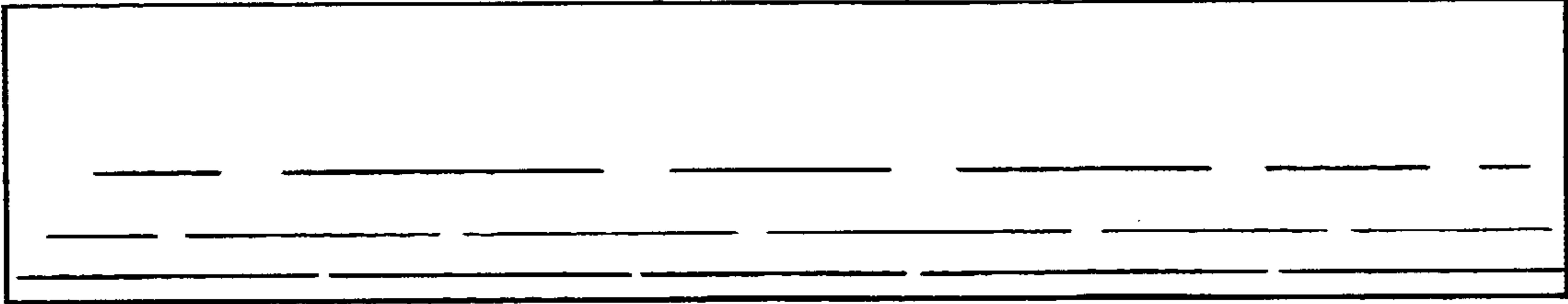


FIG. 6

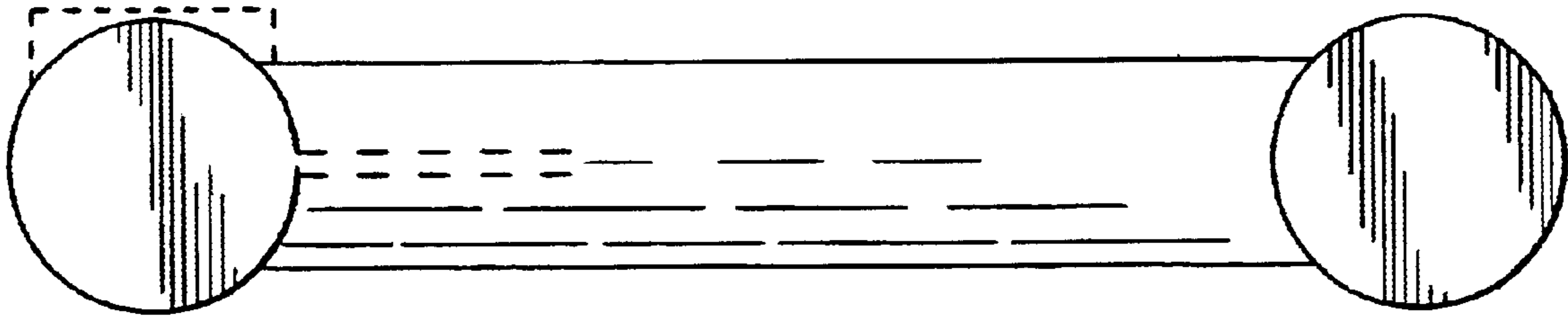


FIG. 7

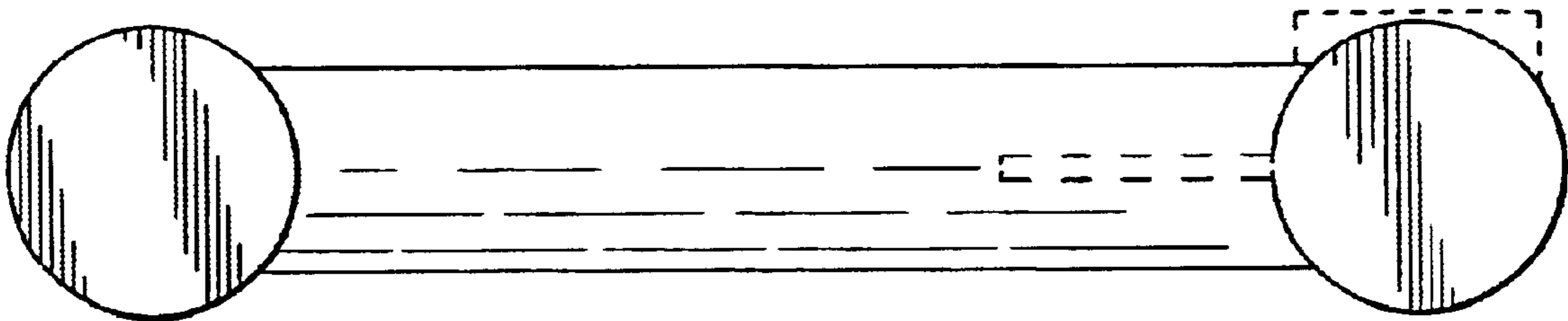


FIG. 8