

US00D494834S1

(12) **United States Design Patent**
Etlicher

(10) **Patent No.:** **US D494,834 S**

(45) **Date of Patent:** **** Aug. 24, 2004**

(54) **PUSH BUTTON HANDLE**

(75) **Inventor:** **Peter Etlicher**, Rice Lake, WI (US)

(73) **Assignee:** **Truth Hardware Corporation**,
Owatonna, MN (US)

(**) **Term:** **14 Years**

(21) **Appl. No.:** **29/183,805**

(22) **Filed:** **Jun. 17, 2003**

(51) **LOC (7) Cl.** **08-06**

(52) **U.S. Cl.** **D8/302; D8/308**

(58) **Field of Search** **D8/300-302, 307,**
D8/308, 309, 338, 341; 70/224; 292/336.3,
DIG. 37

(56) **References Cited**

U.S. PATENT DOCUMENTS

D142,945 S	*	11/1945	Borchers	D8/302
3,194,596 A	*	7/1965	Jakeway	292/336.3
3,955,839 A		5/1976	Praska et al.		
D297,911 S		10/1988	Rubin	D8/301
D356,241 S	*	3/1995	Decursu	D8/308
D369,964 S	*	5/1996	Decursu et al.	D8/302
5,582,442 A		12/1996	Nolte		
6,036,243 A		3/2000	Blom		
D436,830 S	*	1/2001	Nesseth	D8/302

6,322,113 B1		11/2001	Ayers et al.		
D451,360 S		12/2001	Nesseth	D8/302
D481,923 S	*	11/2003	Char et al.	D8/302
6,655,108 B2		12/2003	Larson et al.		

OTHER PUBLICATIONS

Abitare, p. 29 (Fusital—Series Quattro S).*

* cited by examiner

Primary Examiner—Adir Aronovich

(74) *Attorney, Agent, or Firm*—Merchant & Gould P.C.

(57) **CLAIM**

The ornamental design for a push button handle, as shown and described.

DESCRIPTION

FIG. 1 shows a perspective view of a push button handle according to the principles of the present invention; FIG. 2 shows a right side elevational view thereof, a left side elevational view not being shown as it is a mirror image of the right side elevational view; FIG. 3 shows a top plan view thereof; FIG. 4 shows a bottom plan view thereof; FIG. 5 shows a front elevational view thereof; and, FIG. 6 shows a rear elevational view thereof.

1 Claim, 3 Drawing Sheets

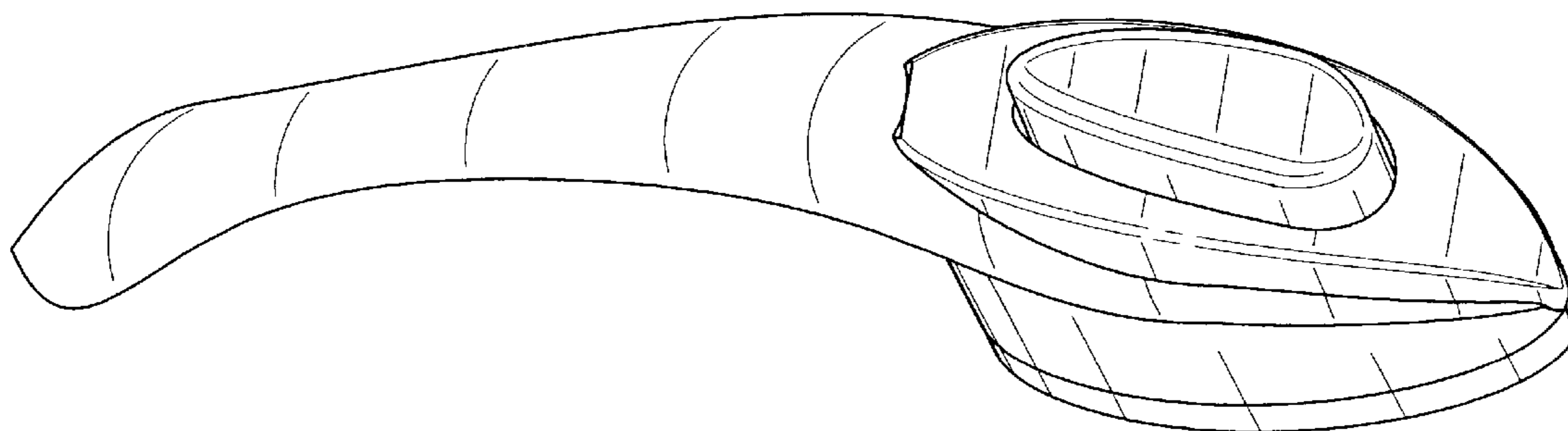




FIG. 1

FIG.2

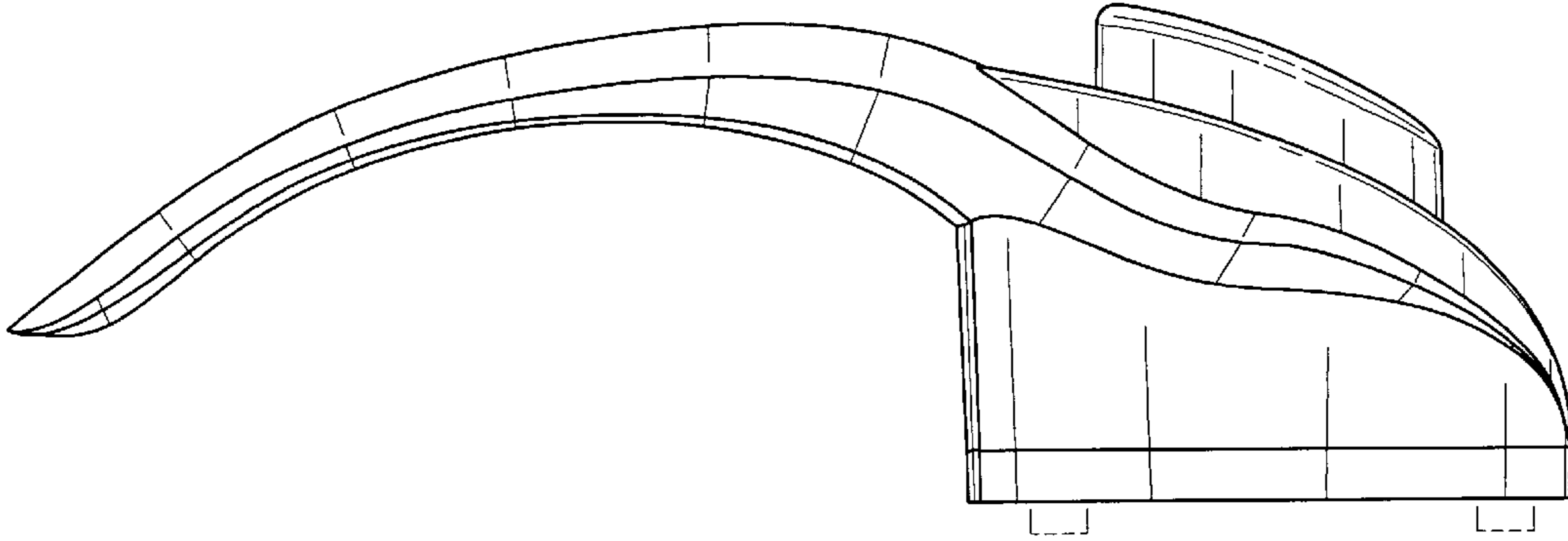


FIG.3

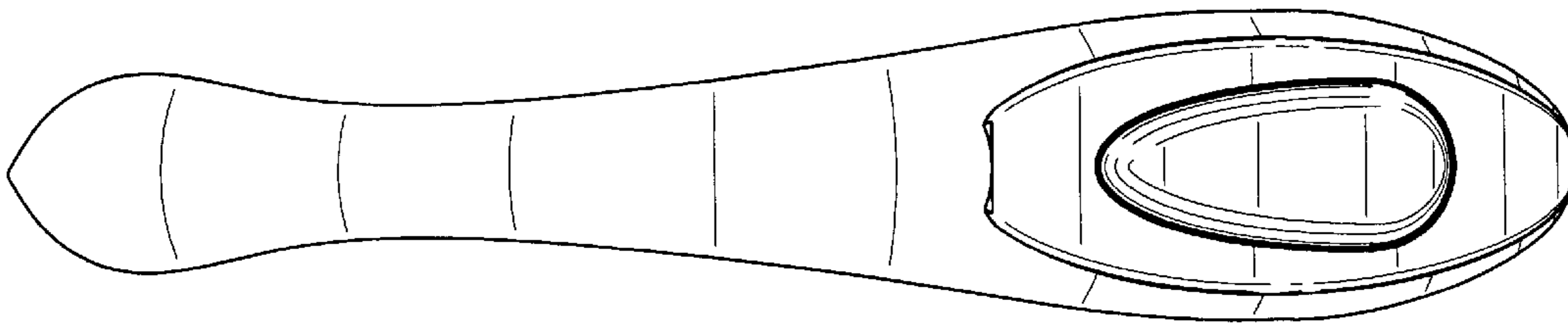


FIG.4

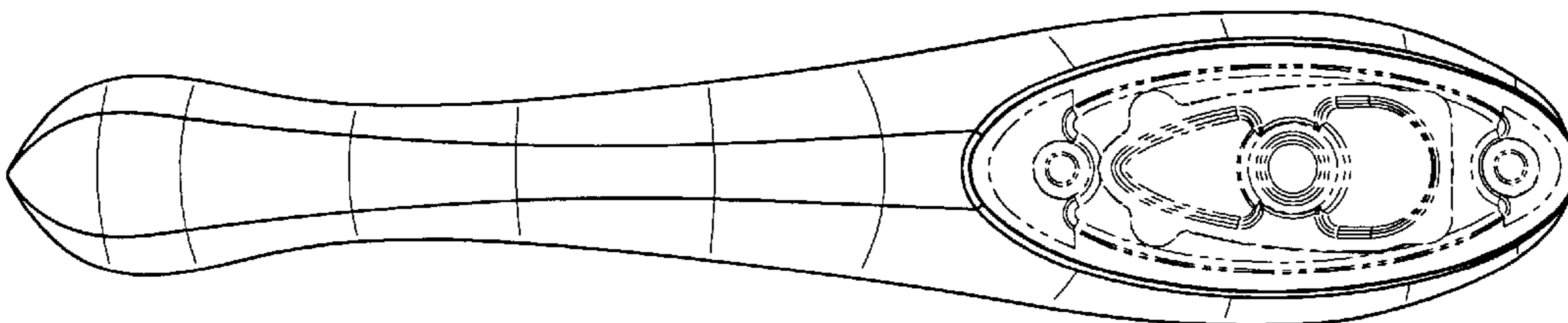


FIG.6

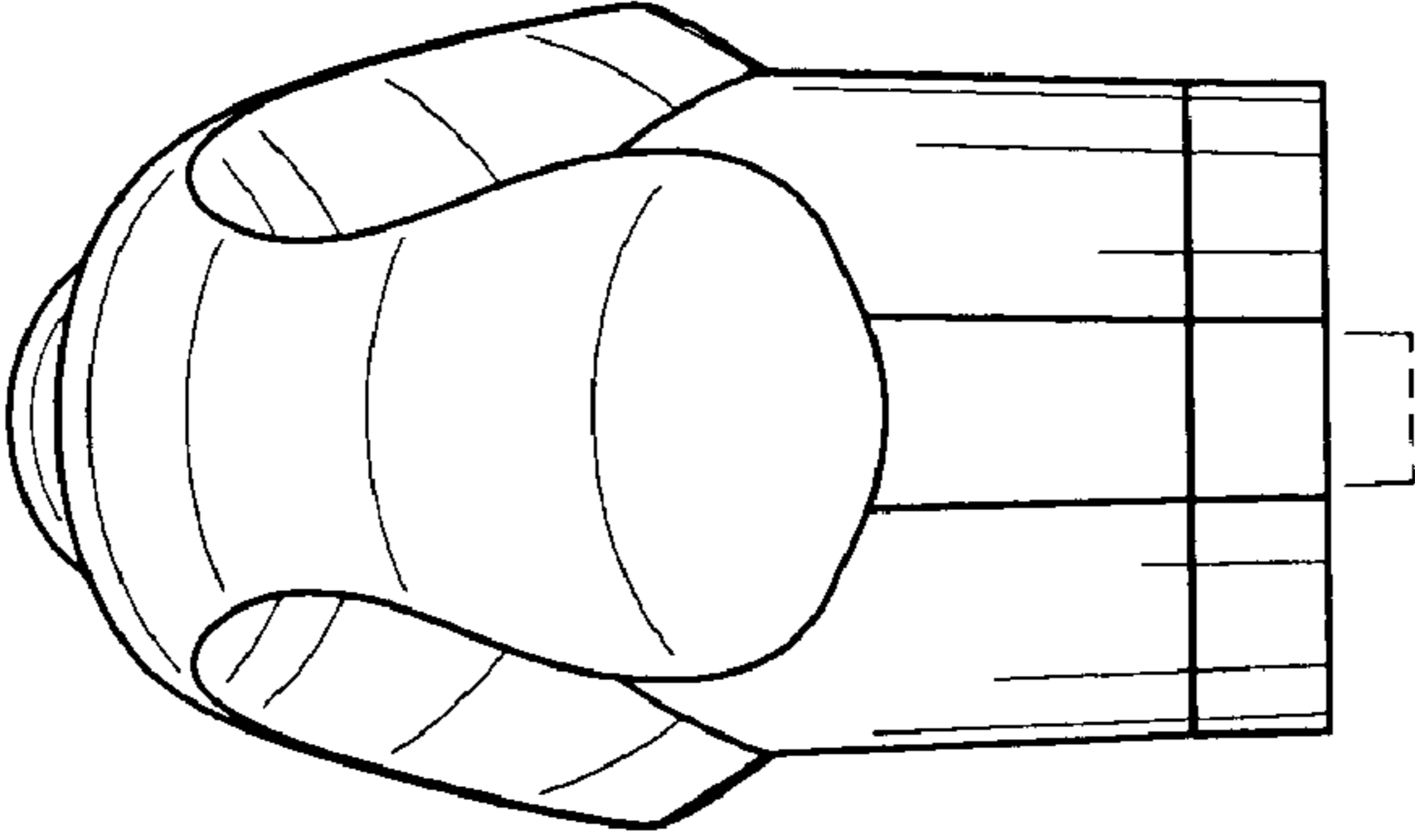


FIG.5

