

US00D494832S1

(12) **United States Design Patent**
Pyatt

(10) **Patent No.:** **US D494,832 S**

(45) **Date of Patent:** **** Aug. 24, 2004**

(54) **TOOL HANDLE**

(75) **Inventor:** **Georgia Pyatt, Fayetteville, AR (US)**

(73) **Assignee:** **Marshalltown Company,
Marshalltown, IA (US)**

(**) **Term:** **14 Years**

(21) **Appl. No.:** **29/187,597**

(22) **Filed:** **Aug. 4, 2003**

(51) **LOC (7) Cl.** **08-05**

(52) **U.S. Cl.** **D8/107**

(58) **Field of Search** D8/107, 303; 16/421-428,
16/110.1, 430; 81/177.1-177.7, 427.5; 294/171;
D7/395, 649, 402.1

(56) **References Cited**

U.S. PATENT DOCUMENTS

2,287,329 A * 6/1942 Santa Maria et al. 294/171
4,846,519 A * 7/1989 Leonard 294/171

5,797,165 A * 8/1998 Armbrust 16/430
D403,943 S * 1/1999 Curry D8/107
D429,454 S * 8/2000 Lademann, III D8/303
6,405,409 B1 * 6/2002 Zirella 16/421
D483,642 S * 12/2003 Lin D8/107

* cited by examiner

Primary Examiner—Clare E Heflin

(74) *Attorney, Agent, or Firm*—Shook Hardy & Bacon LLP

(57) **CLAIM**

The ornamental design for a tool handle, as shown and described.

DESCRIPTION

FIG. 1 is a perspective view, according to the present invention;

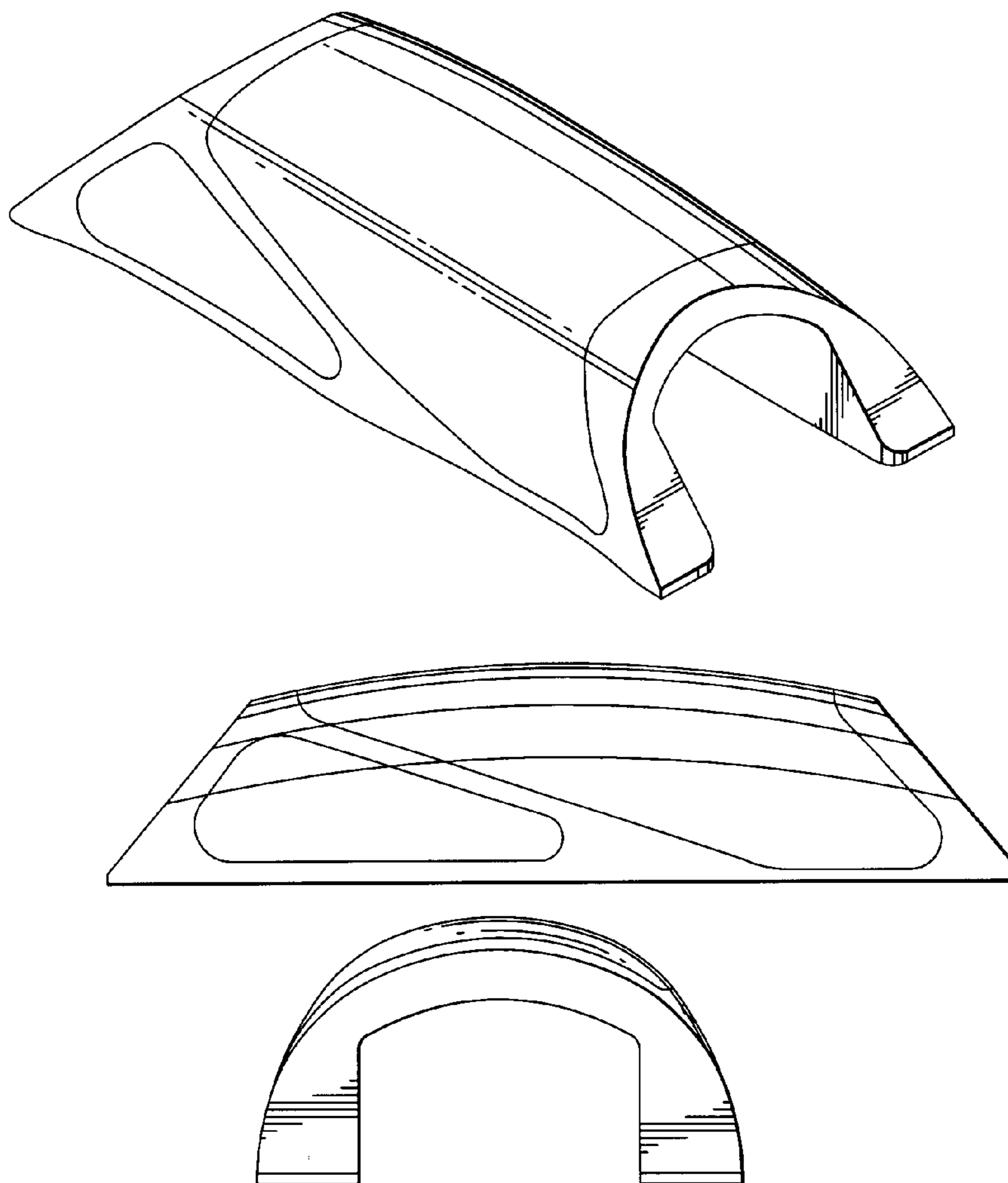
FIG. 2 is a top plan view;

FIG. 3 is a side elevational view;

FIG. 4 is an end elevational view; and,

FIG. 5 is a bottom plan view.

1 Claim, 2 Drawing Sheets



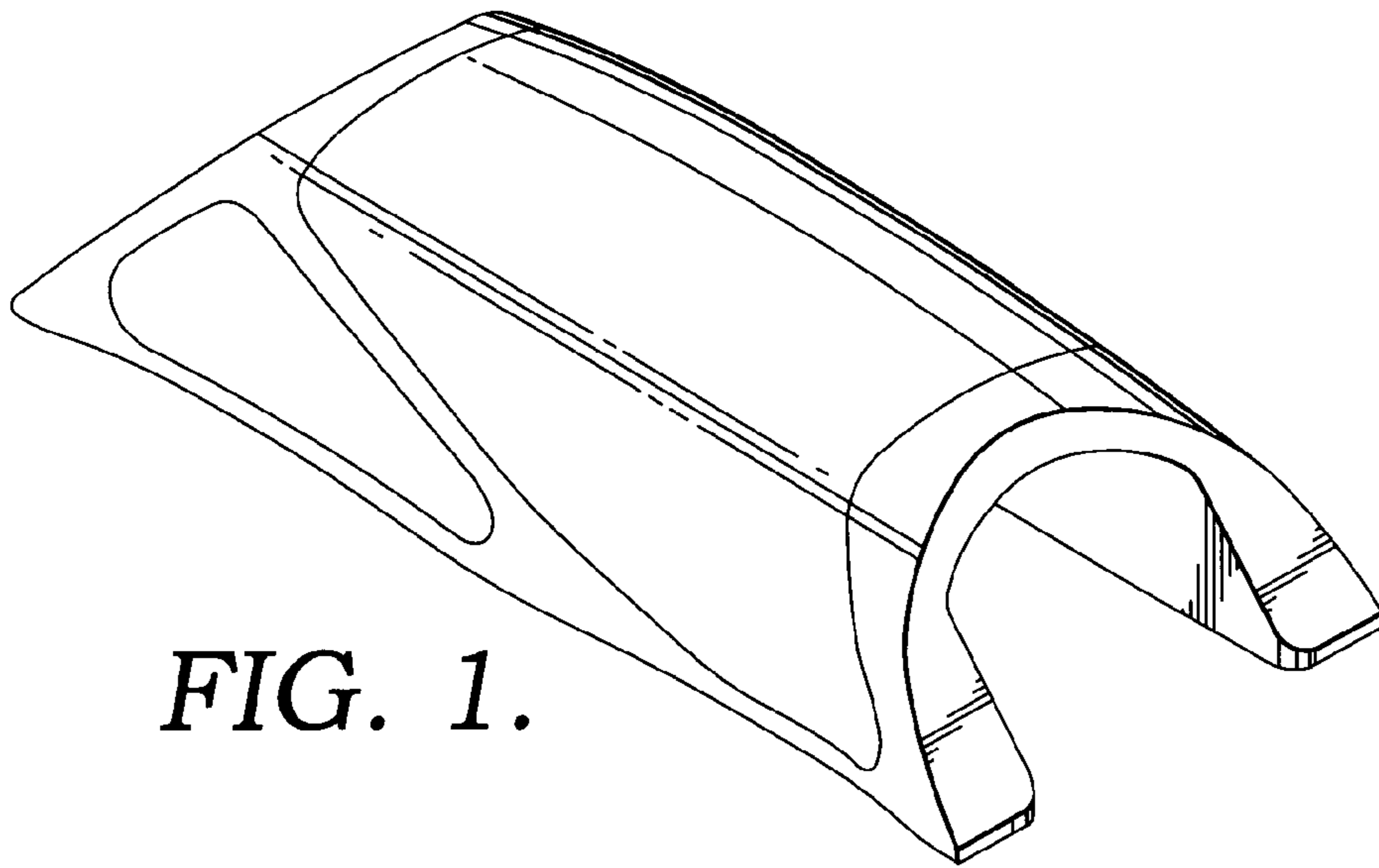


FIG. 1.

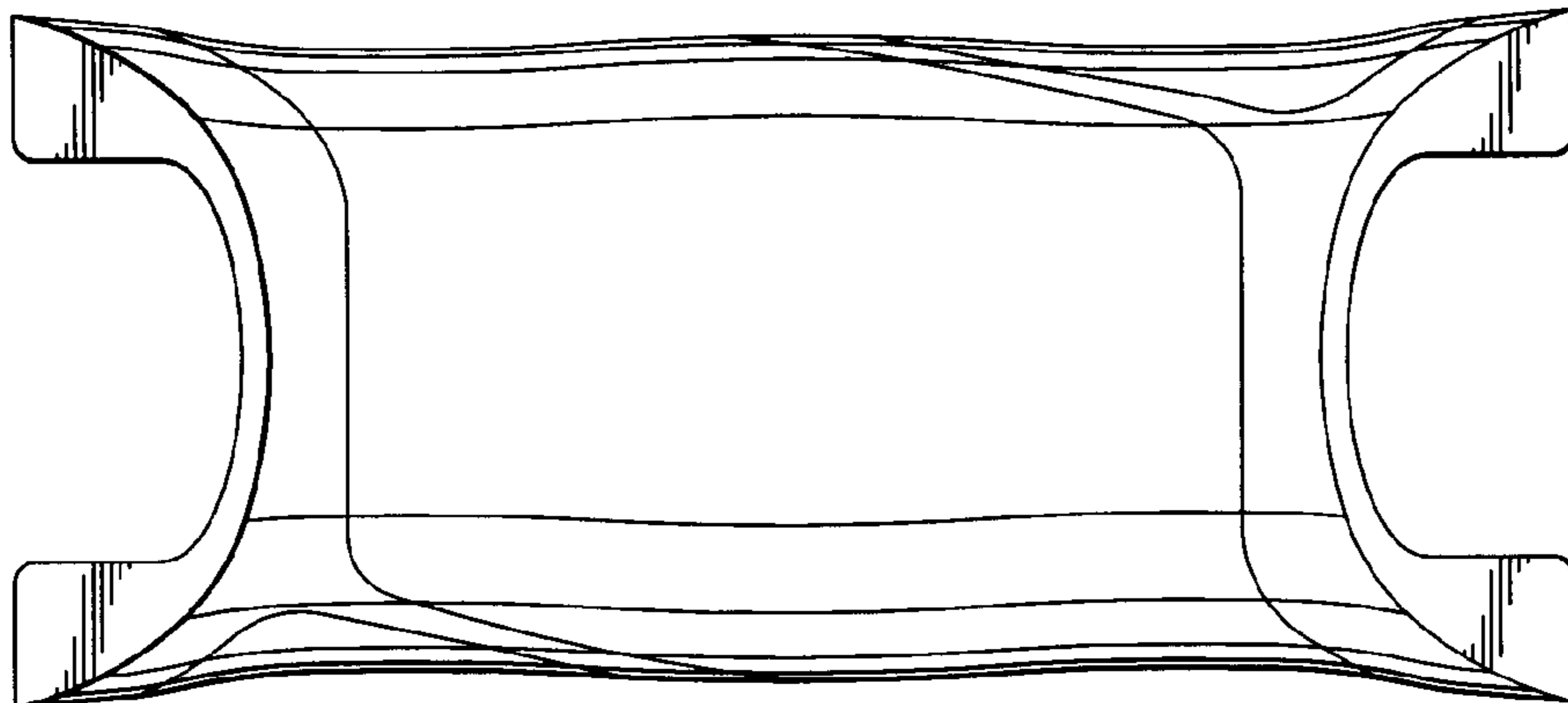


FIG. 2.

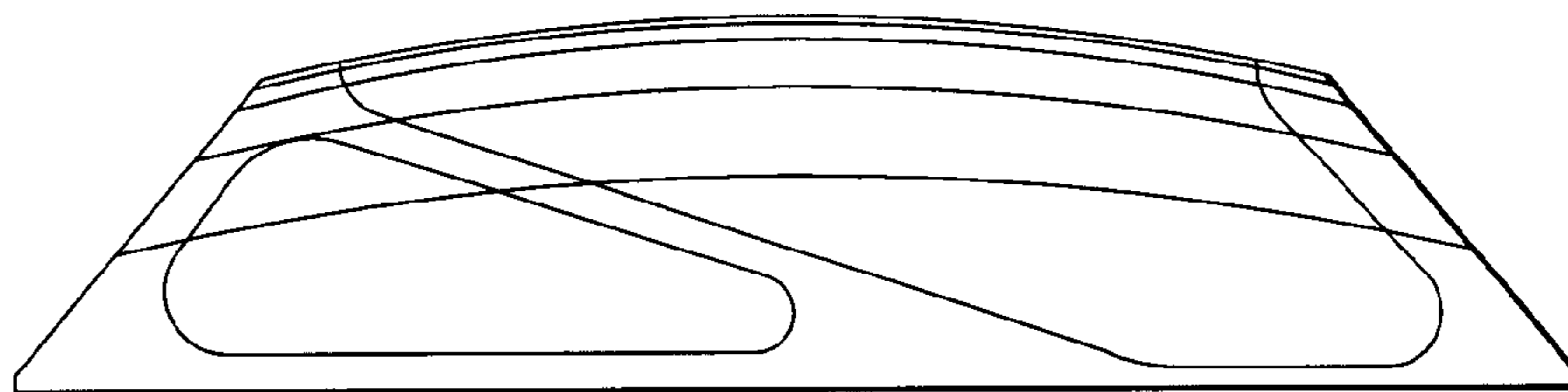


FIG. 3.

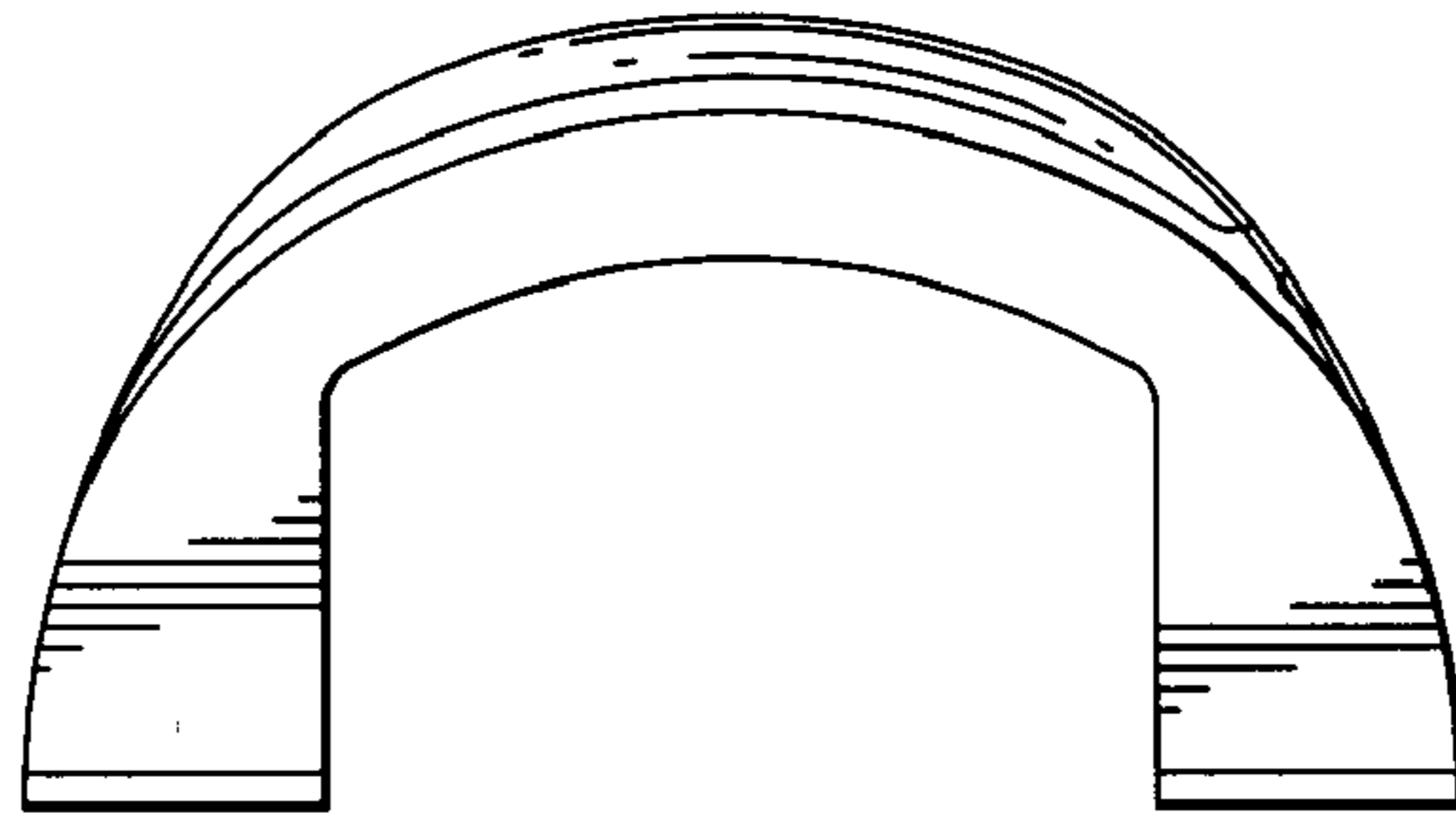


FIG. 4.

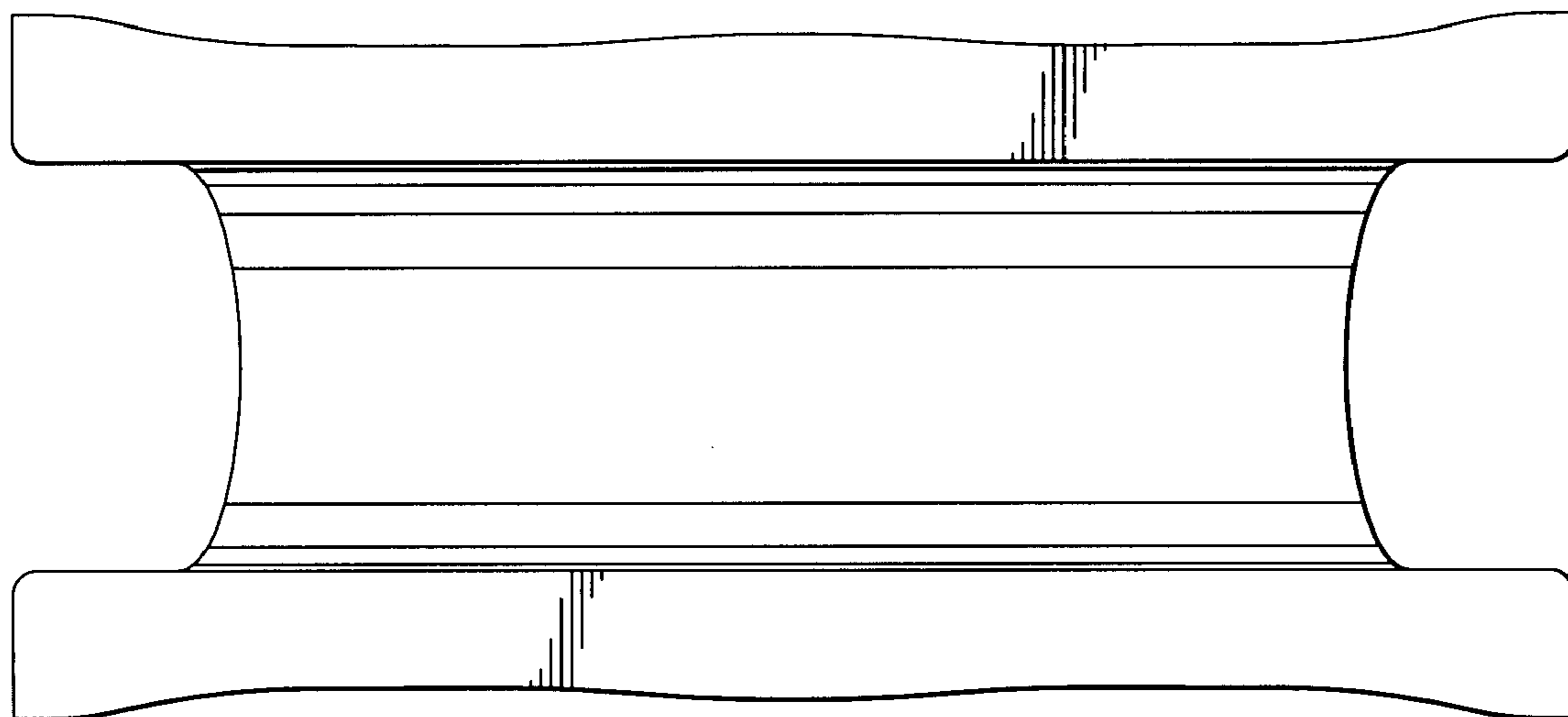


FIG. 5.