



US00D494831S1

(12) **United States Design Patent**  
**Buchter**

(10) **Patent No.:** **US D494,831 S**

(45) **Date of Patent:** **\*\* Aug. 24, 2004**

(54) **RATCHET HANDLE**

(75) **Inventor:** **Mathew Buchter**, San Francisco, CA  
(US)

(73) **Assignee:** **USA Products**, Lodi, CA (US)

(\*\*) **Term:** **14 Years**

(21) **Appl. No.:** **29/164,399**

(22) **Filed:** **Jul. 23, 2002**

(51) **LOC (7) Cl.** ..... **08-05**

(52) **U.S. Cl.** ..... **D8/107**

(58) **Field of Search** ..... D8/107, 61, 67,  
D8/69, 10, DIG. 7, 95, 97; 16/426, 110.1;  
294/58; 81/489, 436-440, 177.1; 173/170,  
213, 217

(56) **References Cited**

**U.S. PATENT DOCUMENTS**

384,186	A	*	6/1888	Barth	.....	173/170
578,020	A	*	3/1897	Morse	.....	16/431
D35,333	S	*	11/1901	Keller	.....	D8/67
775,863	A	*	11/1904	Smith	.....	173/168
839,727	A	*	12/1906	Carnahan	.....	81/489
1,411,365	A	*	4/1922	Mitchell	.....	81/63
1,934,935	A	*	11/1933	Luxmore	.....	261/99
D287,814	S	*	1/1987	Hiraishi et al.	.....	D8/67
D343,345	S	*	1/1994	Ogawa et al.	.....	D8/69
D431,438	S	*	10/2000	Flender et al.	.....	D8/64
2002/0125022	A1	*	9/2002	Dieterle et al.	.....	173/170

\* cited by examiner

*Primary Examiner*—Clare E Heflin

(74) *Attorney, Agent, or Firm*—Gray Cary Ware & Freindenrich LLP

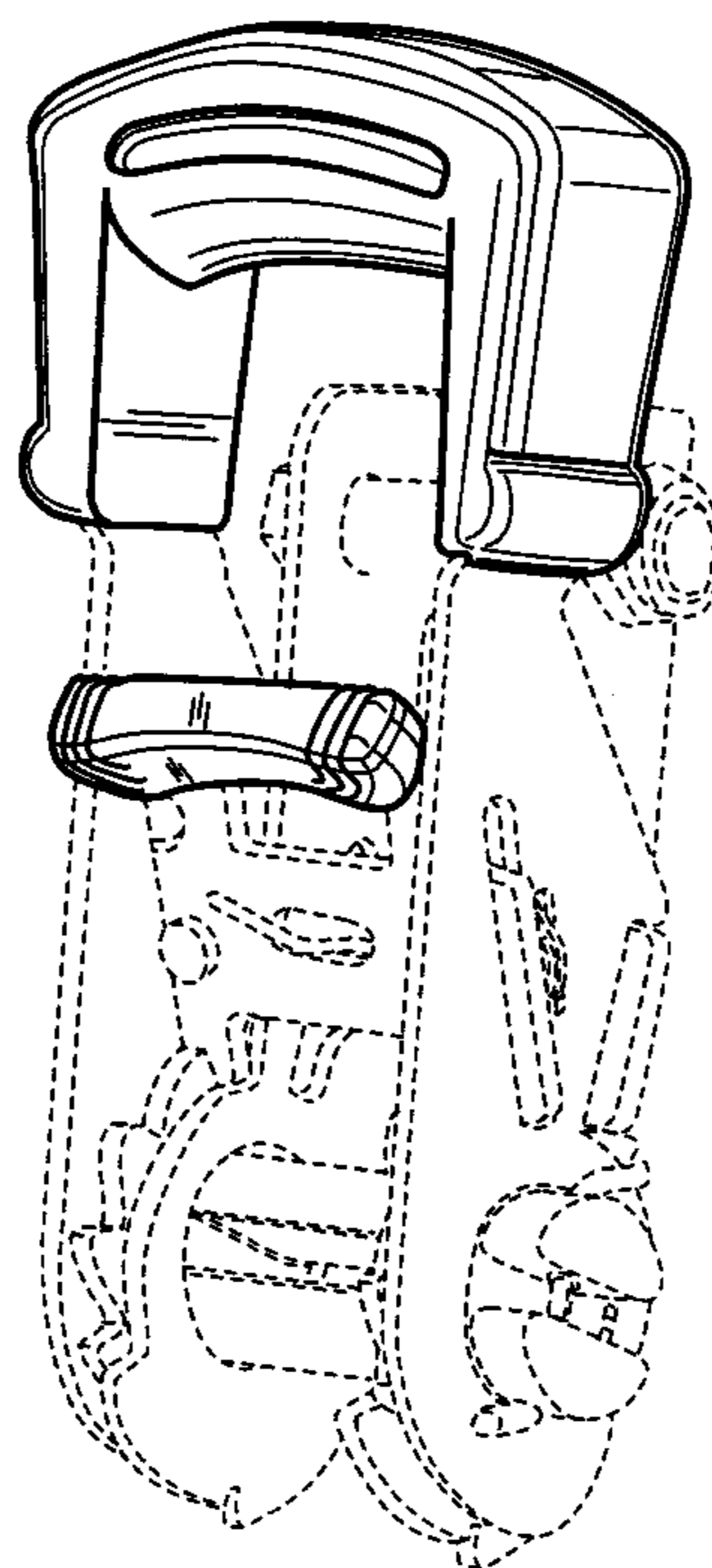
(57) **CLAIM**

The ornamental design for a ratchet handle, as shown and described.

**DESCRIPTION**

FIG. 1 is a perspective view of a ratchet handle showing the new design in its closed position;  
 FIG. 2 is a front end view thereof;  
 FIG. 3 is a rear end view thereof;  
 FIG. 4 is a side view thereof;  
 FIG. 5 is an opposing side view thereof;  
 FIG. 6 is a top view thereof;  
 FIG. 7 is a bottom view thereof;  
 FIG. 8 is a perspective view of the ratchet handle in its open position;  
 FIG. 9 is a front end view thereof;  
 FIG. 10 is a rear end view thereof;  
 FIG. 11 is a side view thereof;  
 FIG. 12 is an opposing side view thereof;  
 FIG. 13 is a top view thereof;  
 FIG. 14 is a bottom view thereof;  
 FIG. 15 is a rear end view of the ratchet handle without any environmental structure;  
 FIG. 16 is a side view thereof;  
 FIG. 17 is an opposing side view thereof; and,  
 FIG. 18 is a bottom view thereof.  
 The broken lines illustrated in FIGS. 1-14 represent environmental structure, which is not considered a part of the claimed design.

**1 Claim, 6 Drawing Sheets**



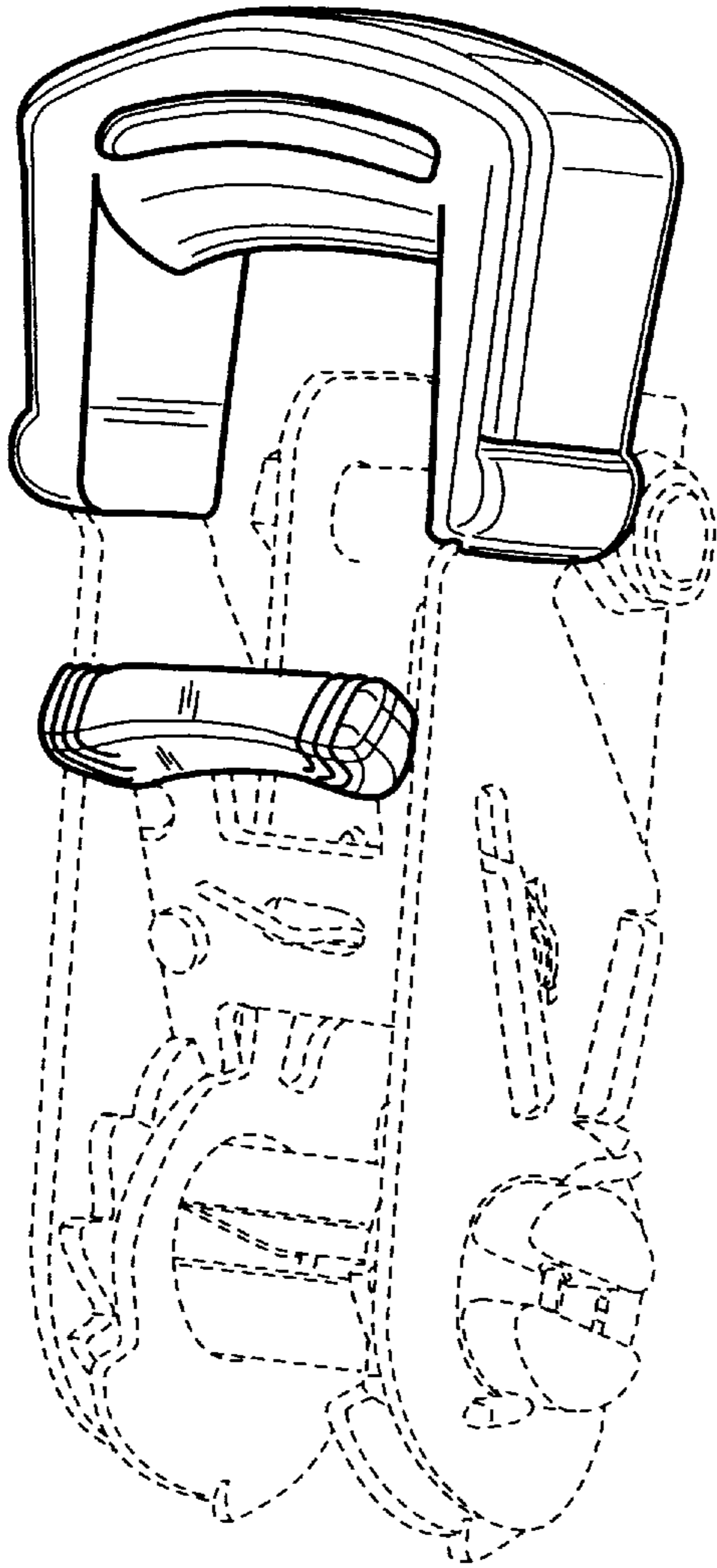


FIG. 1

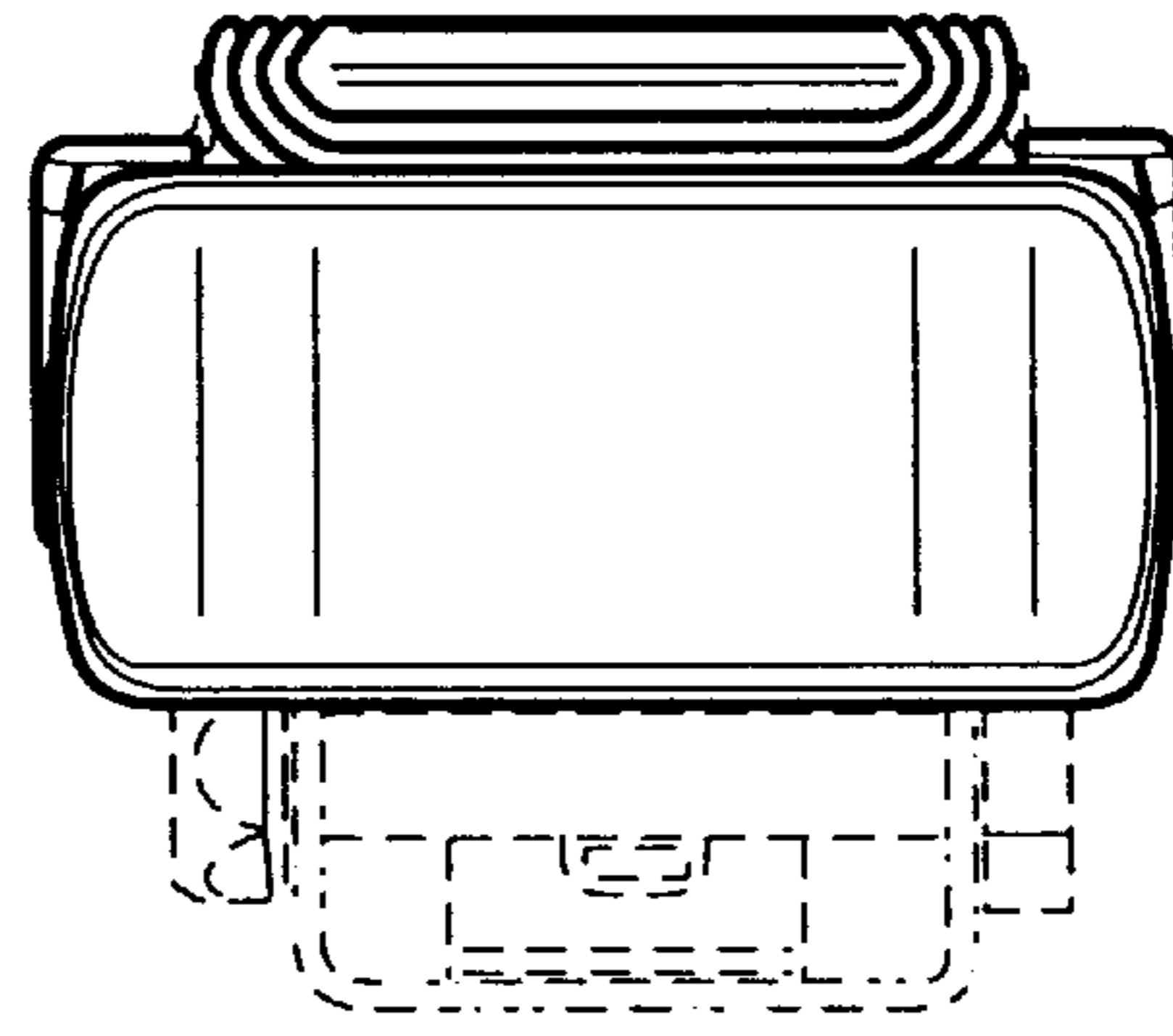


FIG. 2

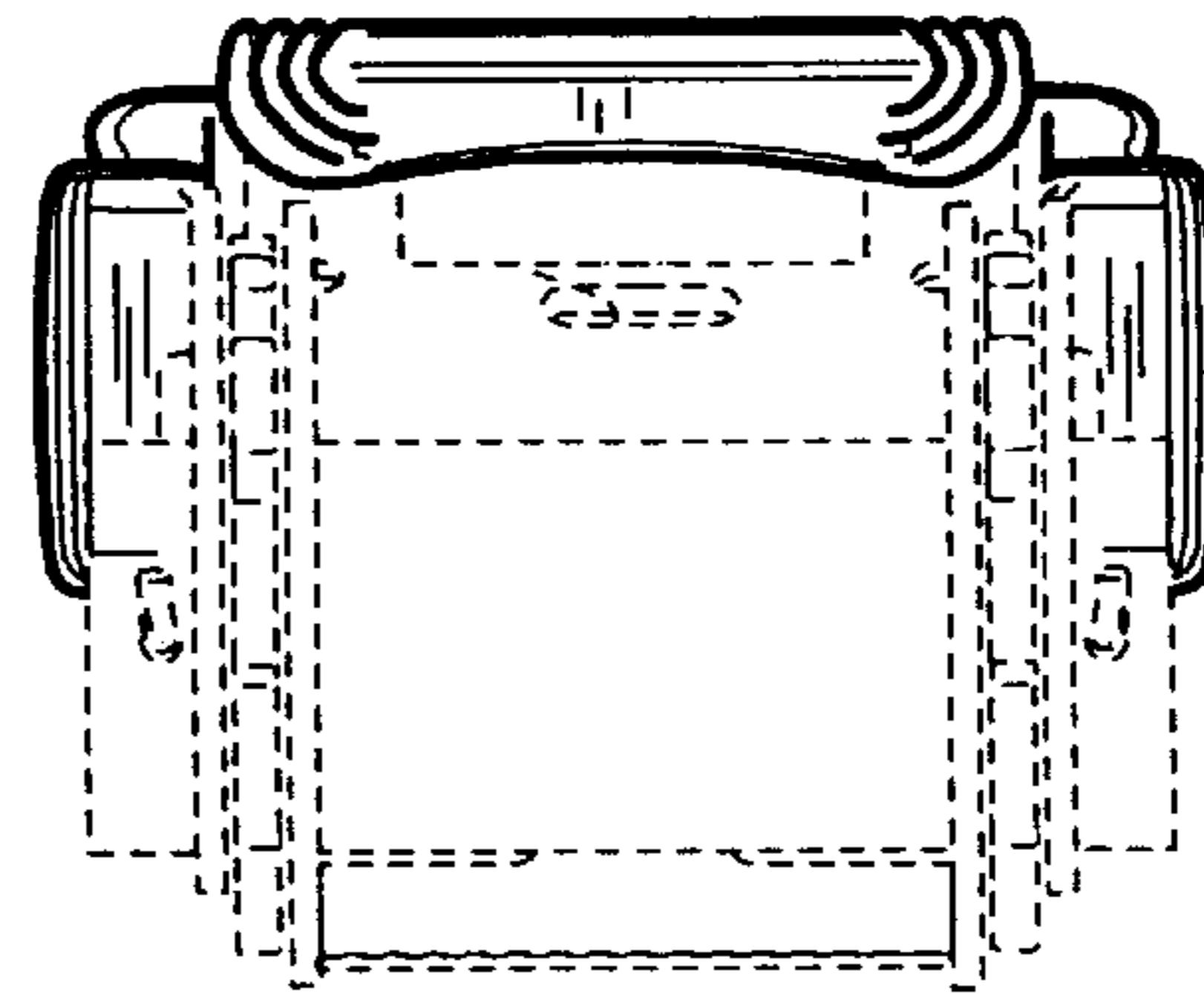


FIG. 3

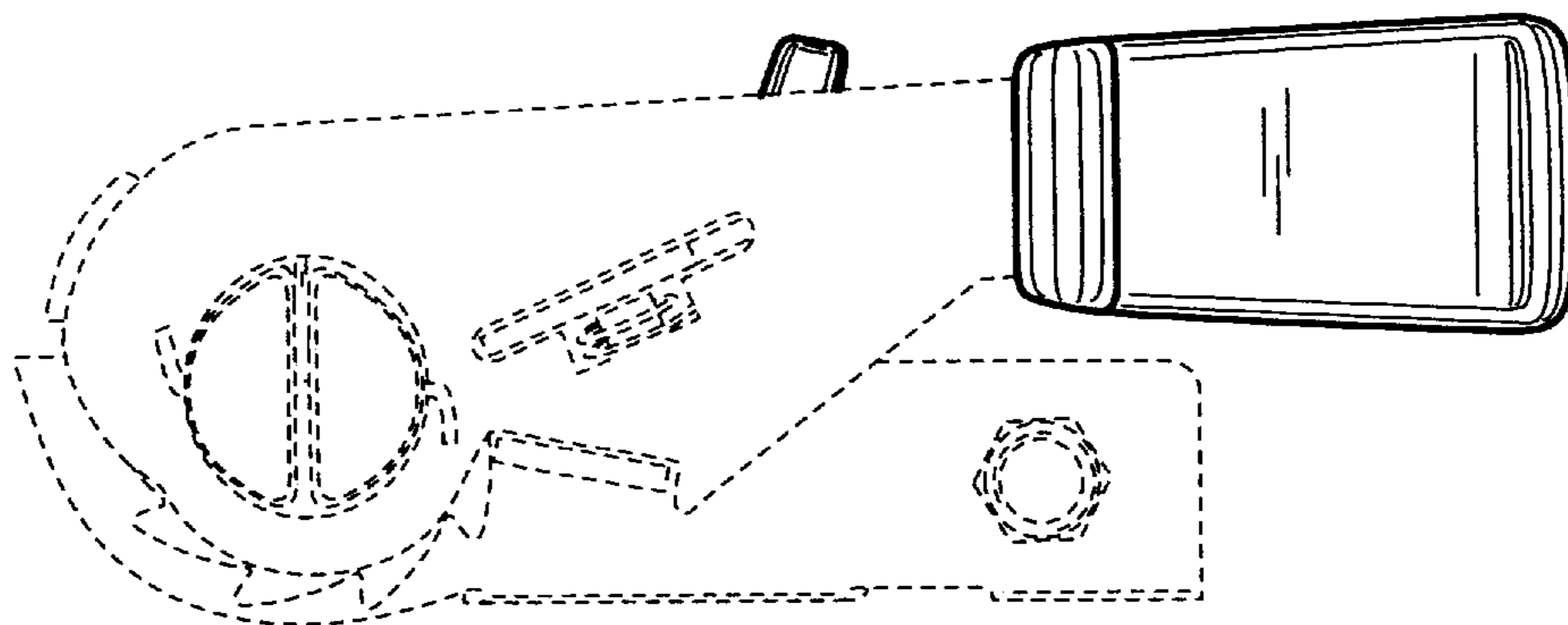


FIG. 4

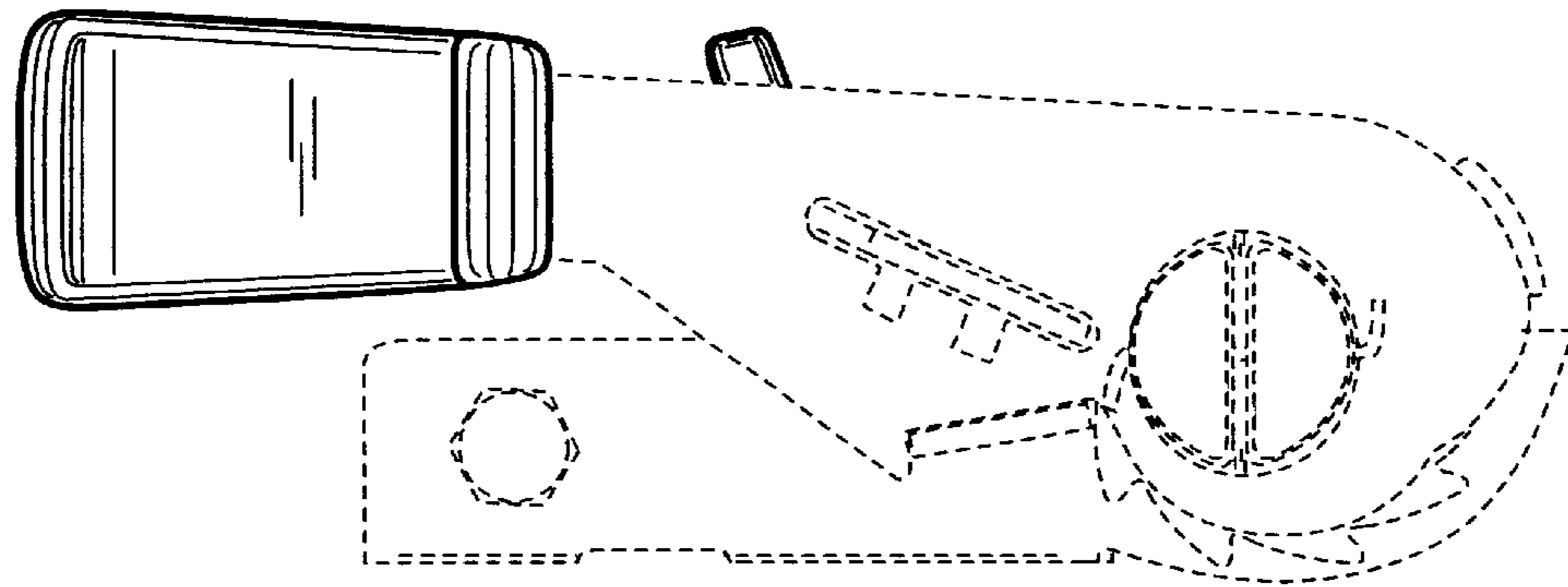


FIG. 5

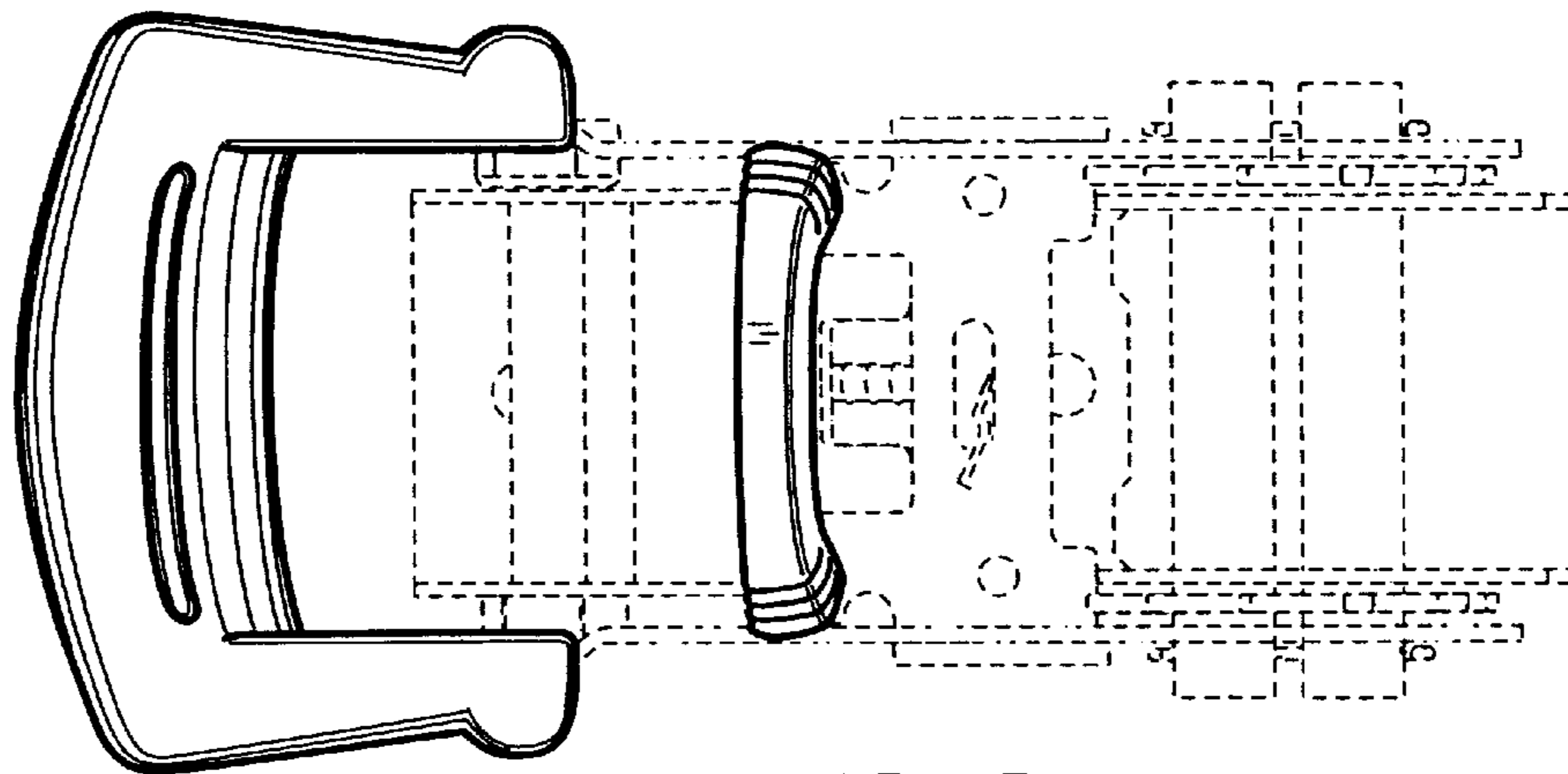


FIG. 6

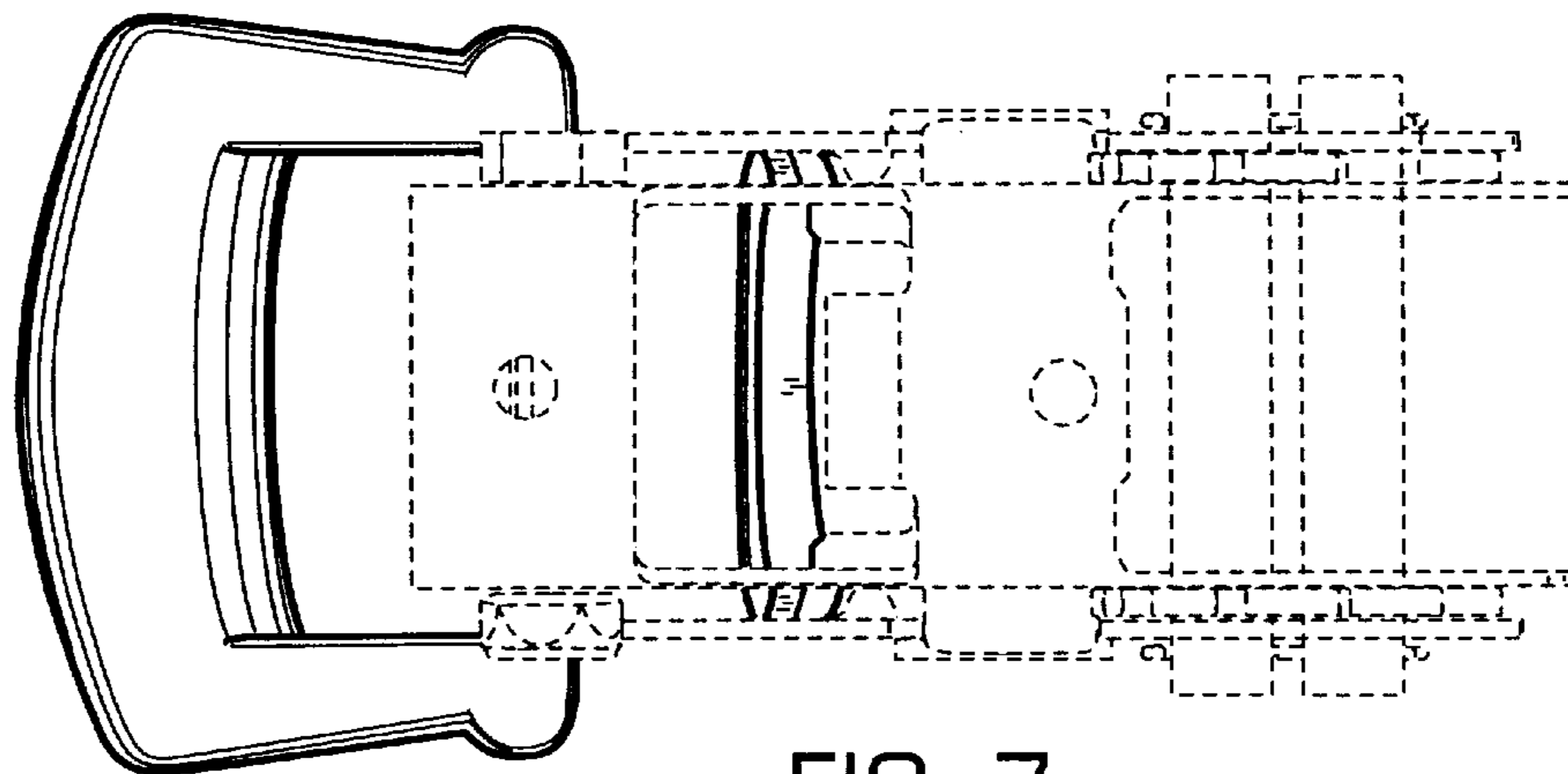


FIG. 7

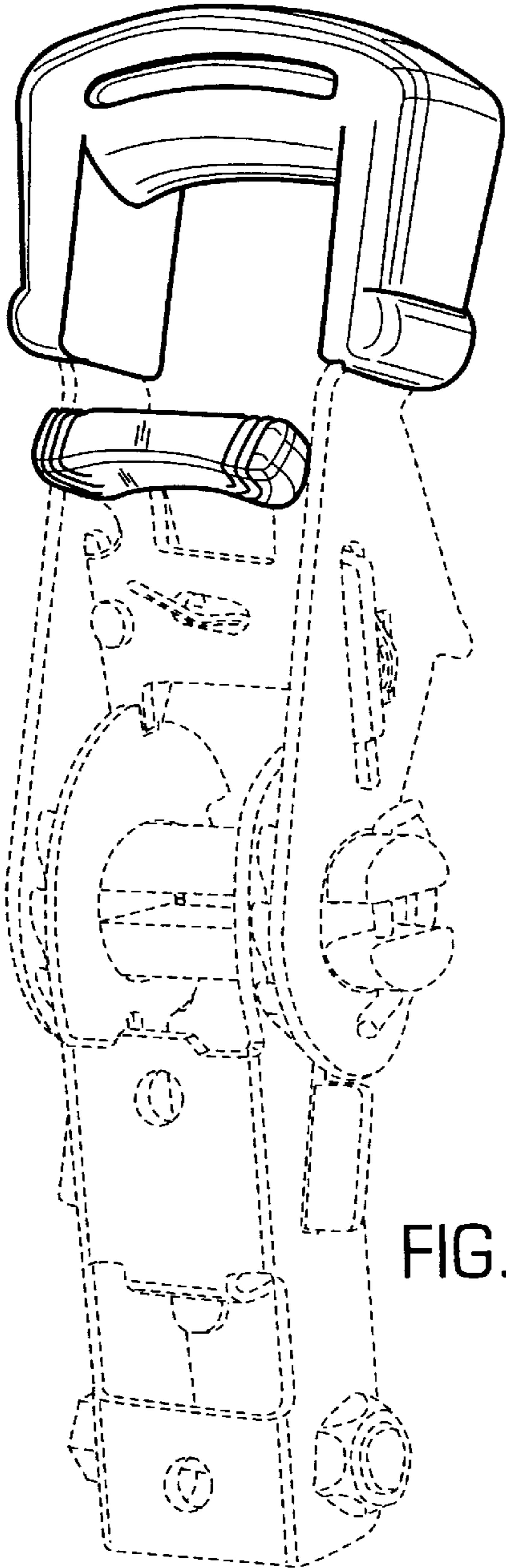


FIG. 8

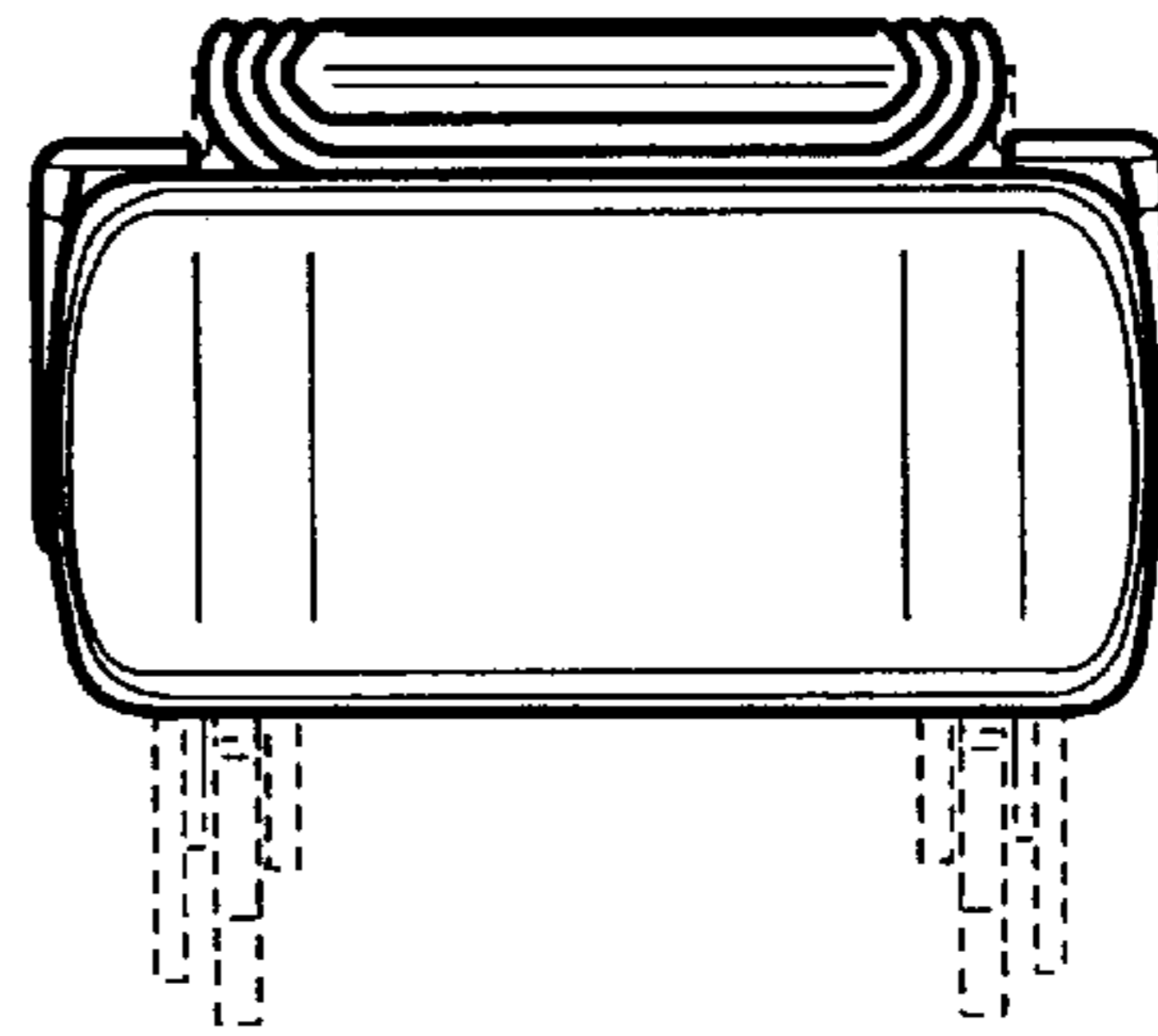


FIG. 9

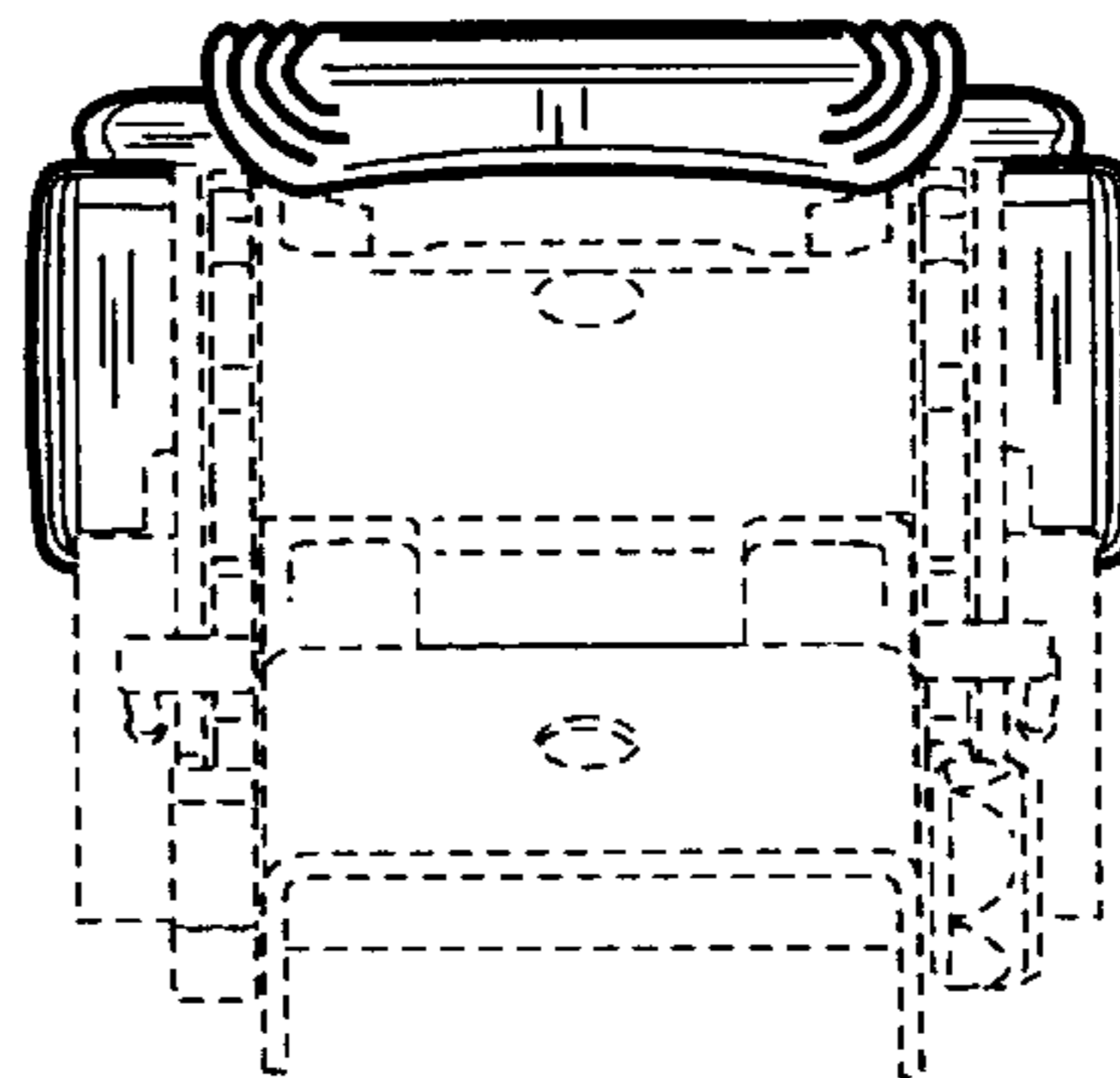


FIG. 10

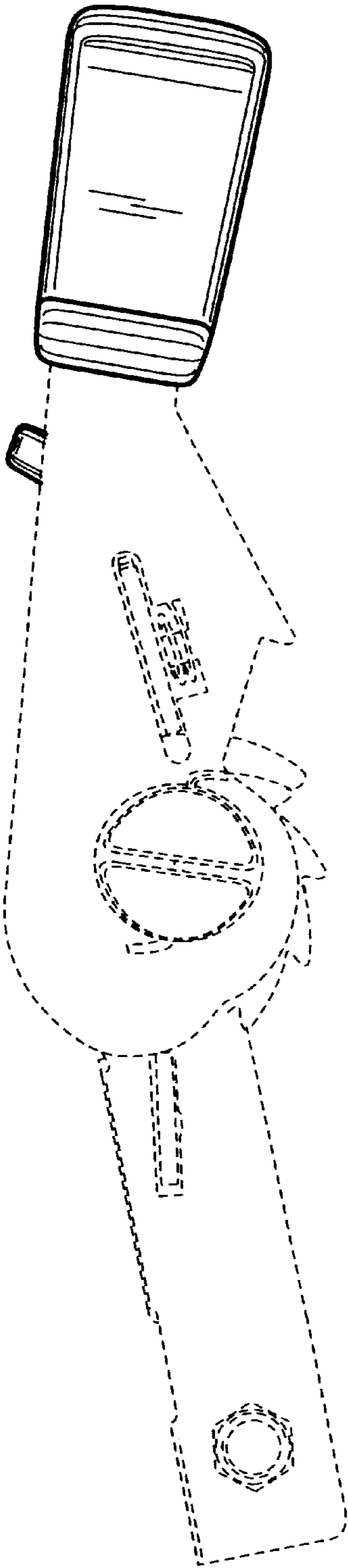


FIG. 11

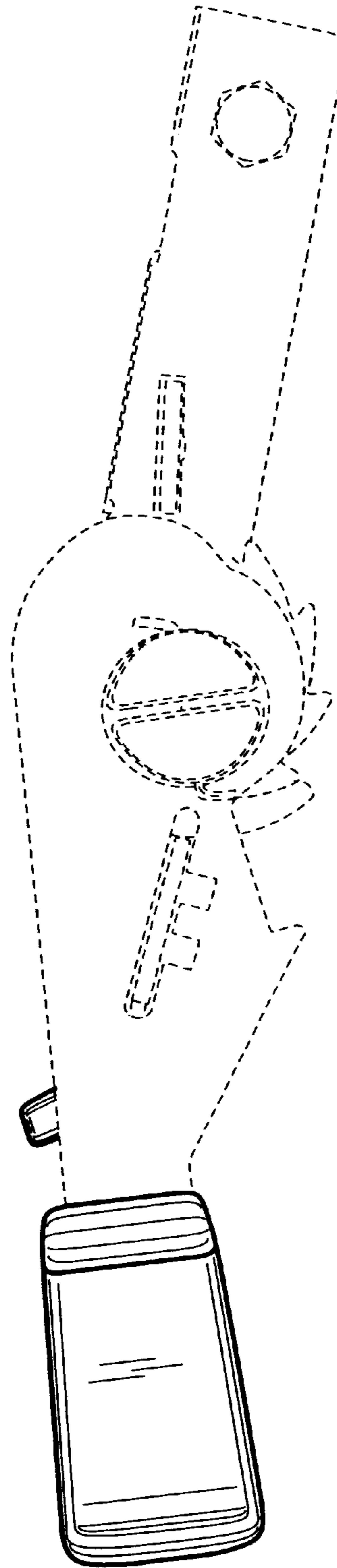


FIG. 12

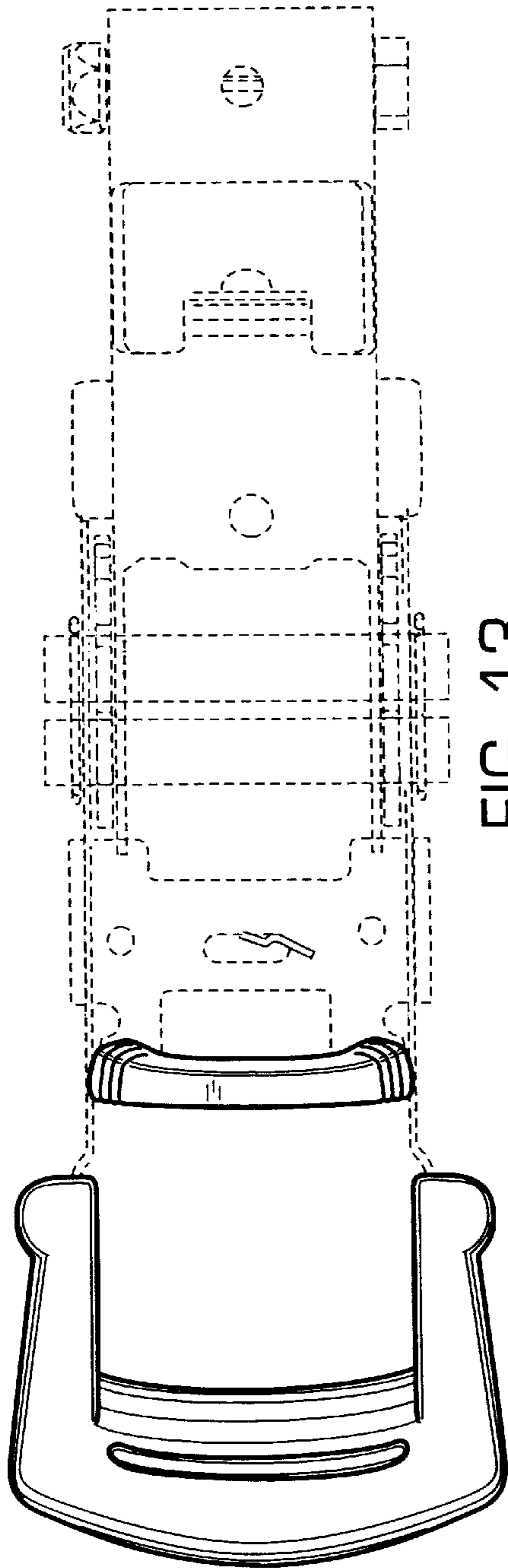


FIG. 13

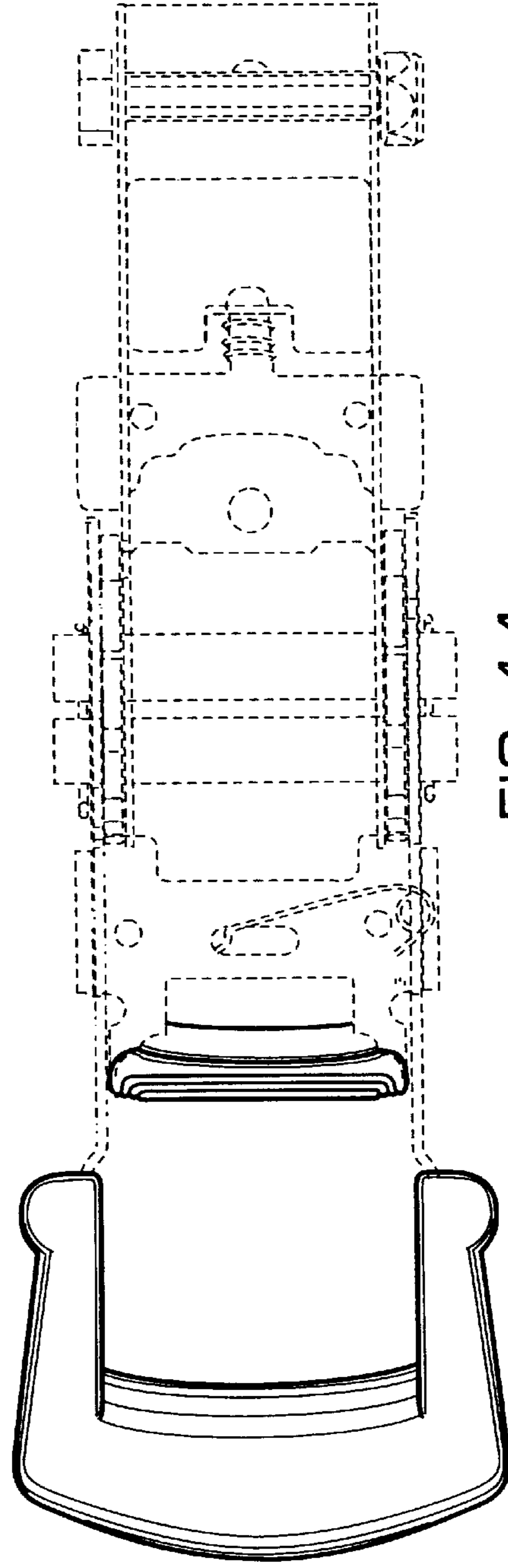


FIG. 14

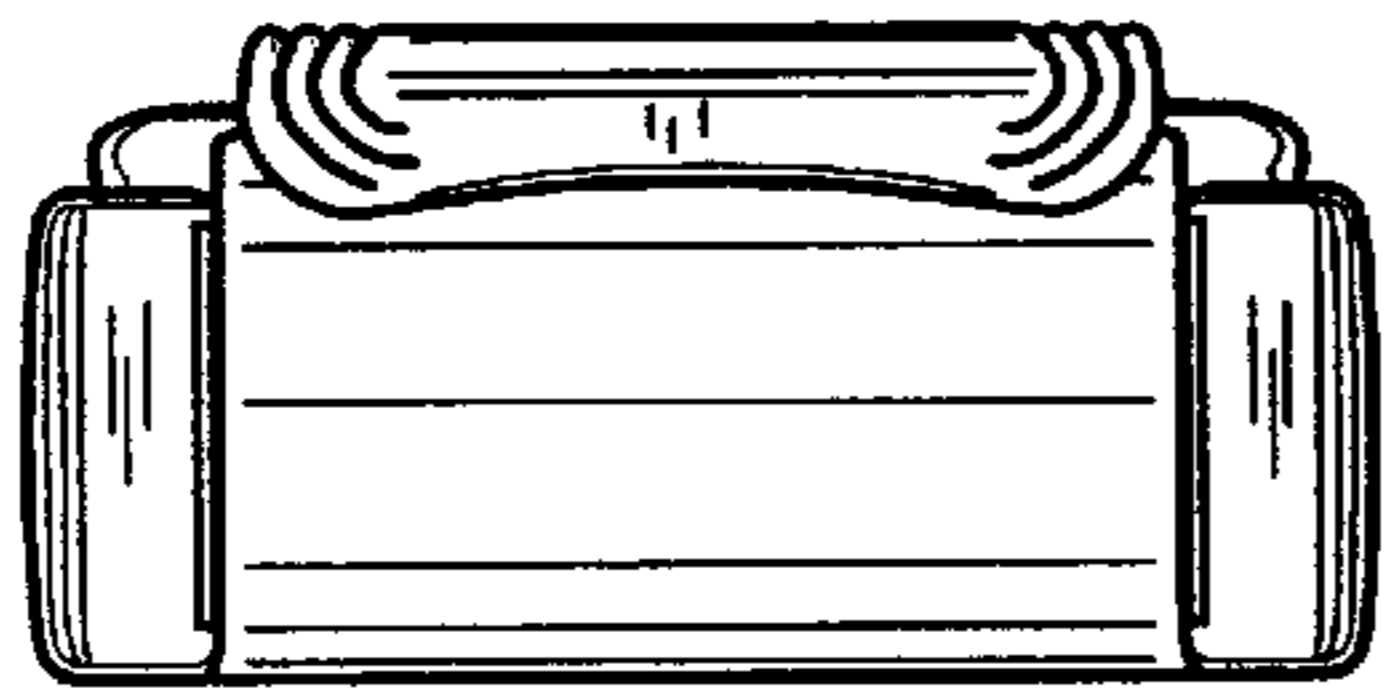


FIG. 15

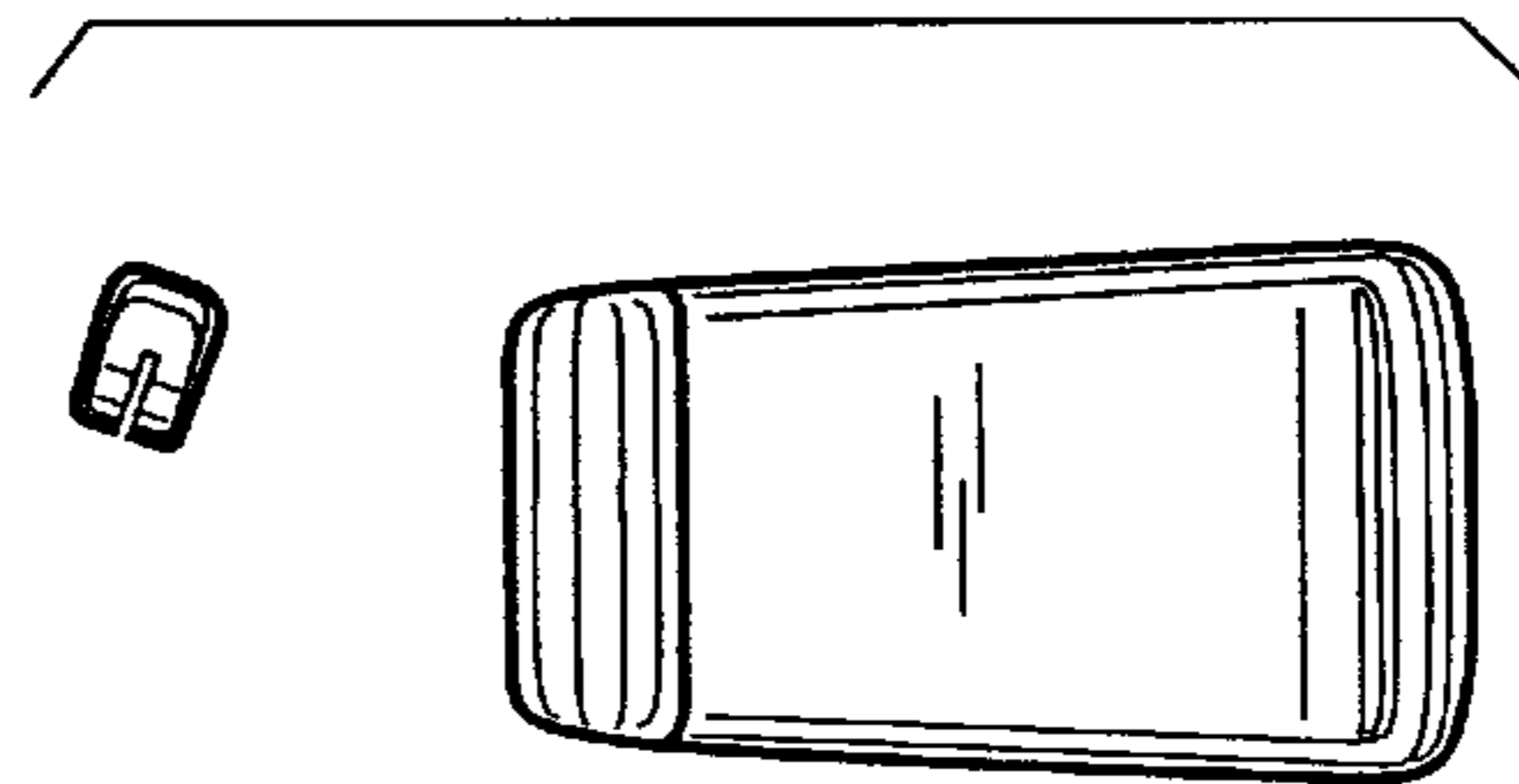


FIG. 16

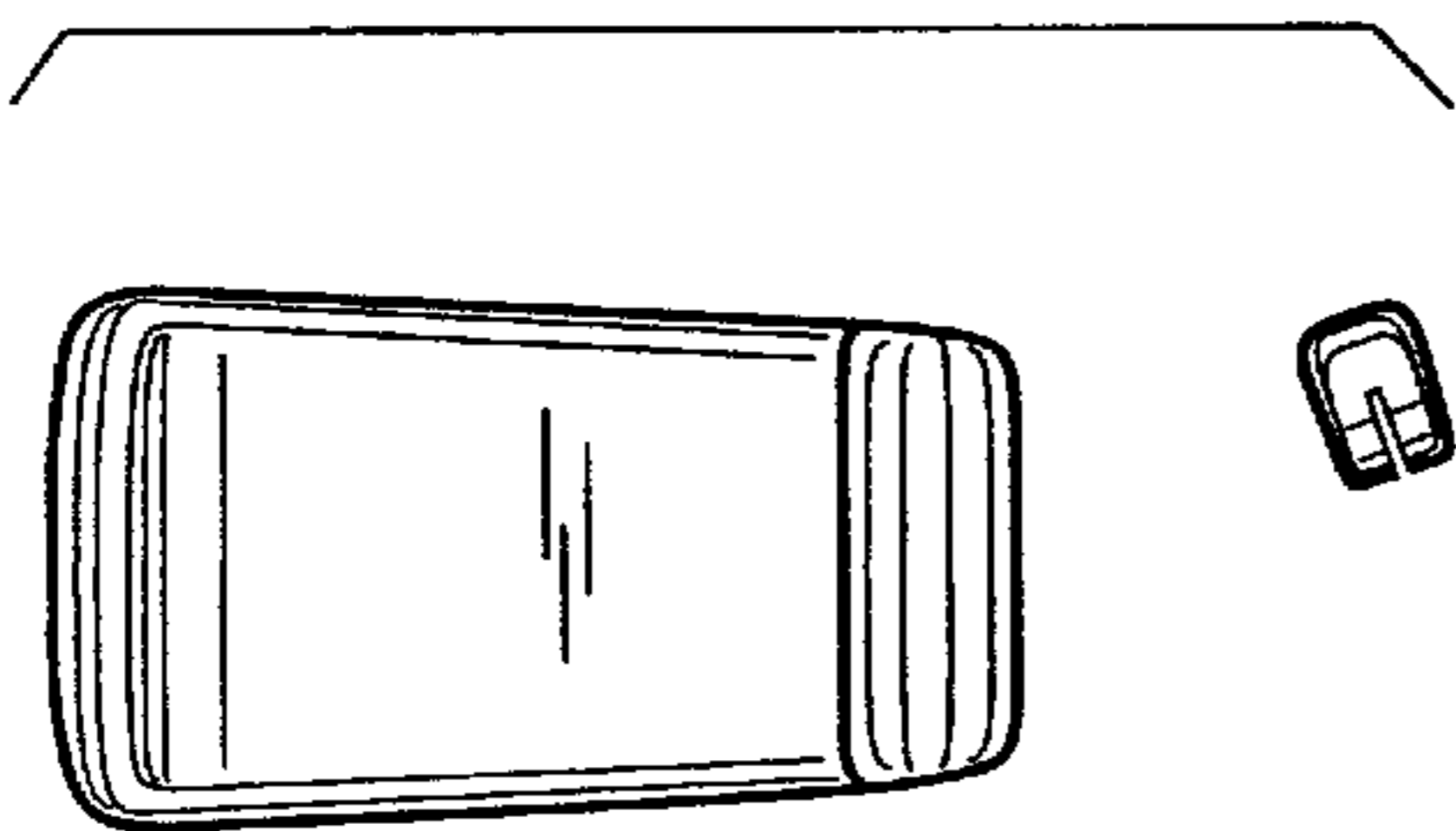


FIG. 17

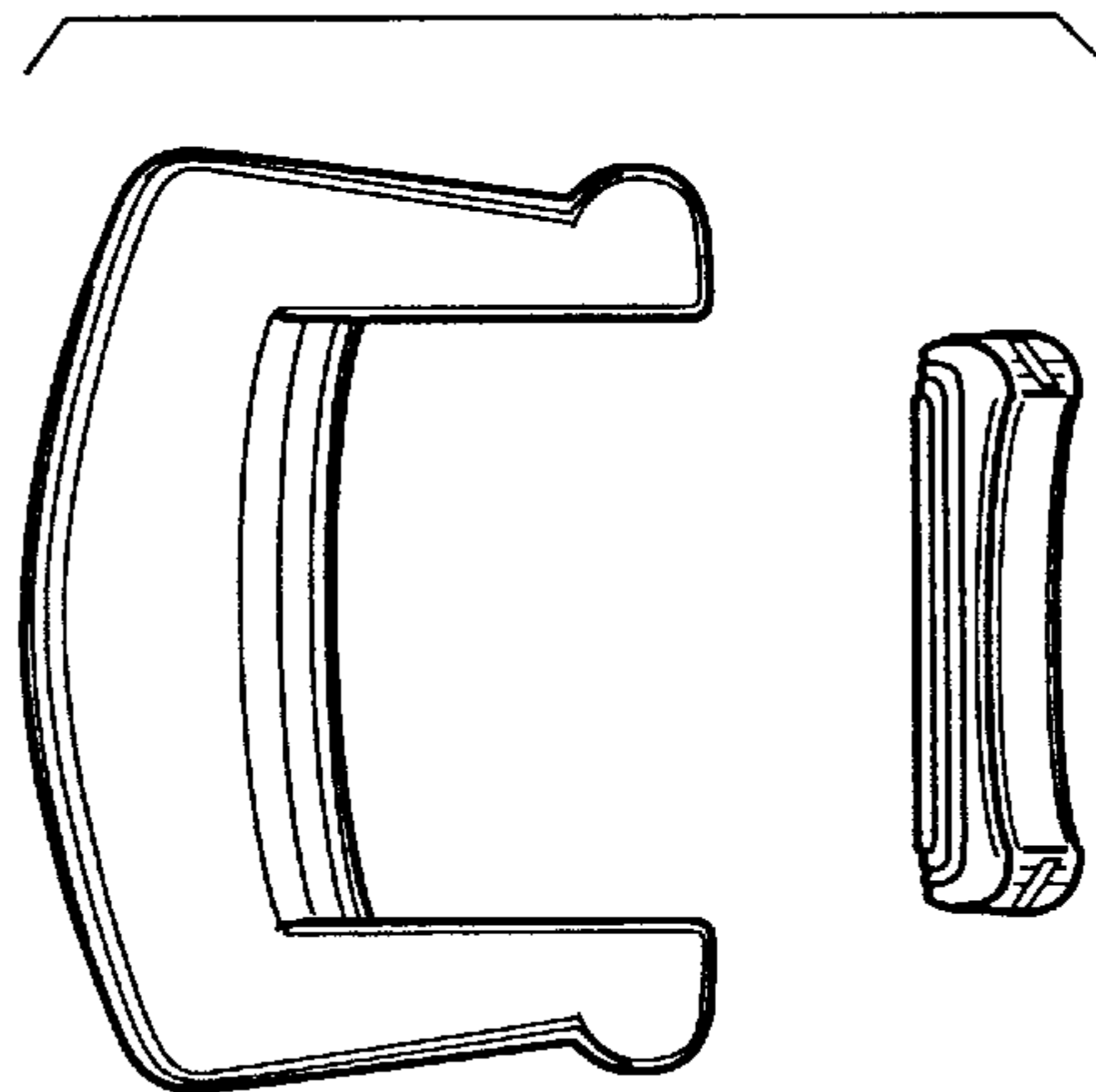


FIG. 18