

US00D494827S1

(12) **United States Design Patent**
Liu

(10) **Patent No.:** **US D494,827 S**

(45) **Date of Patent:** **** Aug. 24, 2004**

(54) **ANGLE GRINDER**

(75) **Inventor:** **Yufei Liu, Suzhou (CN)**

(73) **Assignee:** **Positec Power Tools (Suzhou) Co., Ltd., Suzhou (CN)**

(**) **Term:** **14 Years**

(21) **Appl. No.:** **29/177,064**

(22) **Filed:** **Mar. 4, 2003**

(30) **Foreign Application Priority Data**

Sep. 4, 2002 (CN) 02334057

(51) **LOC (7) Cl.** **08-01**

(52) **U.S. Cl.** **D8/62**

(58) **Field of Search** D8/61, 62, 67,
D8/69; 173/168, 169, 170, 171; 310/50;
451/294, 344, 351, 353, 354, 355, 356,
357, 358, 359

(56) **References Cited**

U.S. PATENT DOCUMENTS

- D297,907 S * 10/1988 Hoshimo et al. D8/62
- D433,906 S * 11/2000 Heun D8/62
- D434,296 S * 11/2000 Ogasawara D8/62
- 6,241,594 B1 * 6/2001 Lepold 451/359

- 6,306,024 B1 * 10/2001 Kai et al. 451/357
- D453,098 S * 1/2002 Pretzell D8/62
- D475,263 S * 6/2003 Andriolo D8/62
- D479,452 S * 9/2003 Cho D8/62
- D479,679 S * 9/2003 Wright D8/62

* cited by examiner

Primary Examiner—James Gandy

Assistant Examiner—Elizabeth Albert

(74) *Attorney, Agent, or Firm*—Hedman & Costigan, P.C.

(57) **CLAIM**

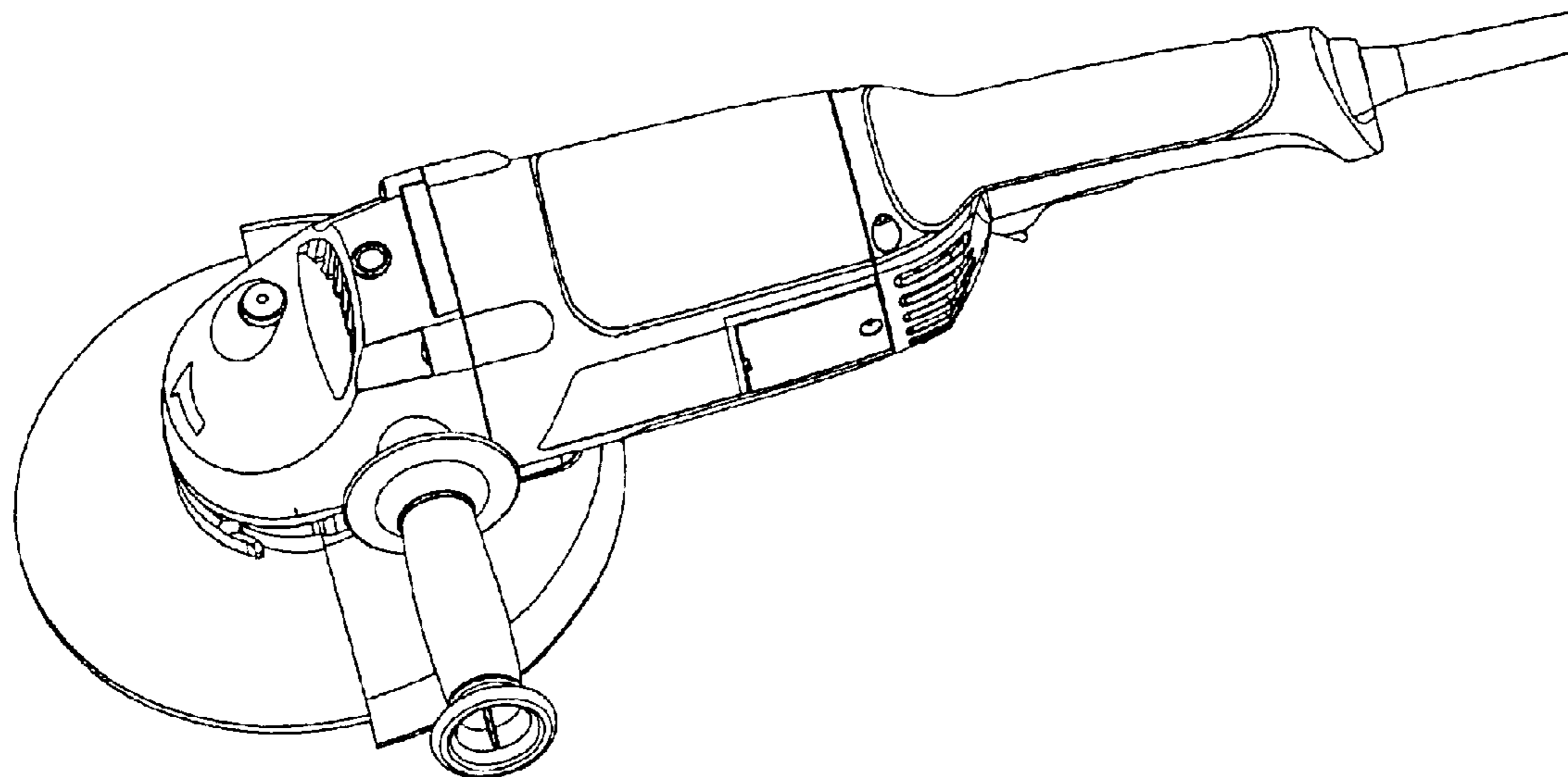
The ornamental design for an angle grinder, as shown and described.

DESCRIPTION

FIG. 1 is a front elevation view of the angle grinder, which is the object of the present design;
 FIG. 2 is a back elevation view thereof;
 FIG. 3 is a left side elevation view thereof;
 FIG. 4 is a right side elevation view thereof;
 FIG. 5 is a top plan view thereof;
 FIG. 6 is a bottom plan view thereof; and,
 FIG. 7 is a perspective view thereof.

The broken lines showing environment in the drawings are for illustrative purposes only and form no part of the claimed design.

1 Claim, 4 Drawing Sheets



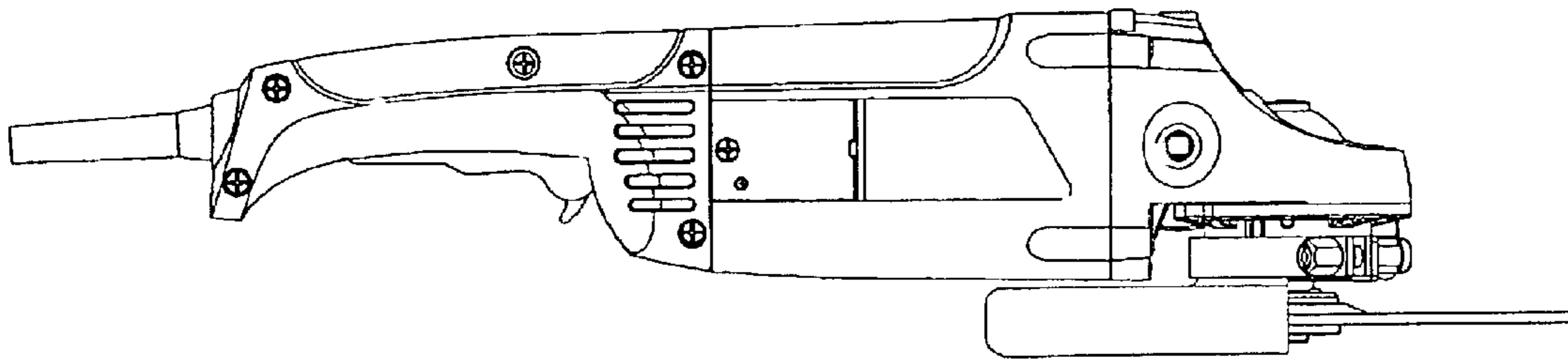


Fig. 1

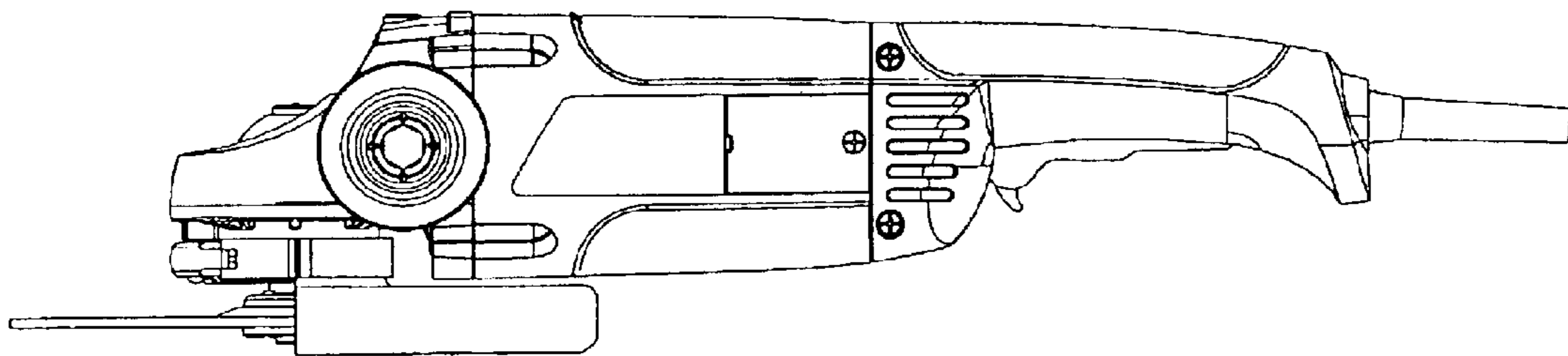


Fig. 2

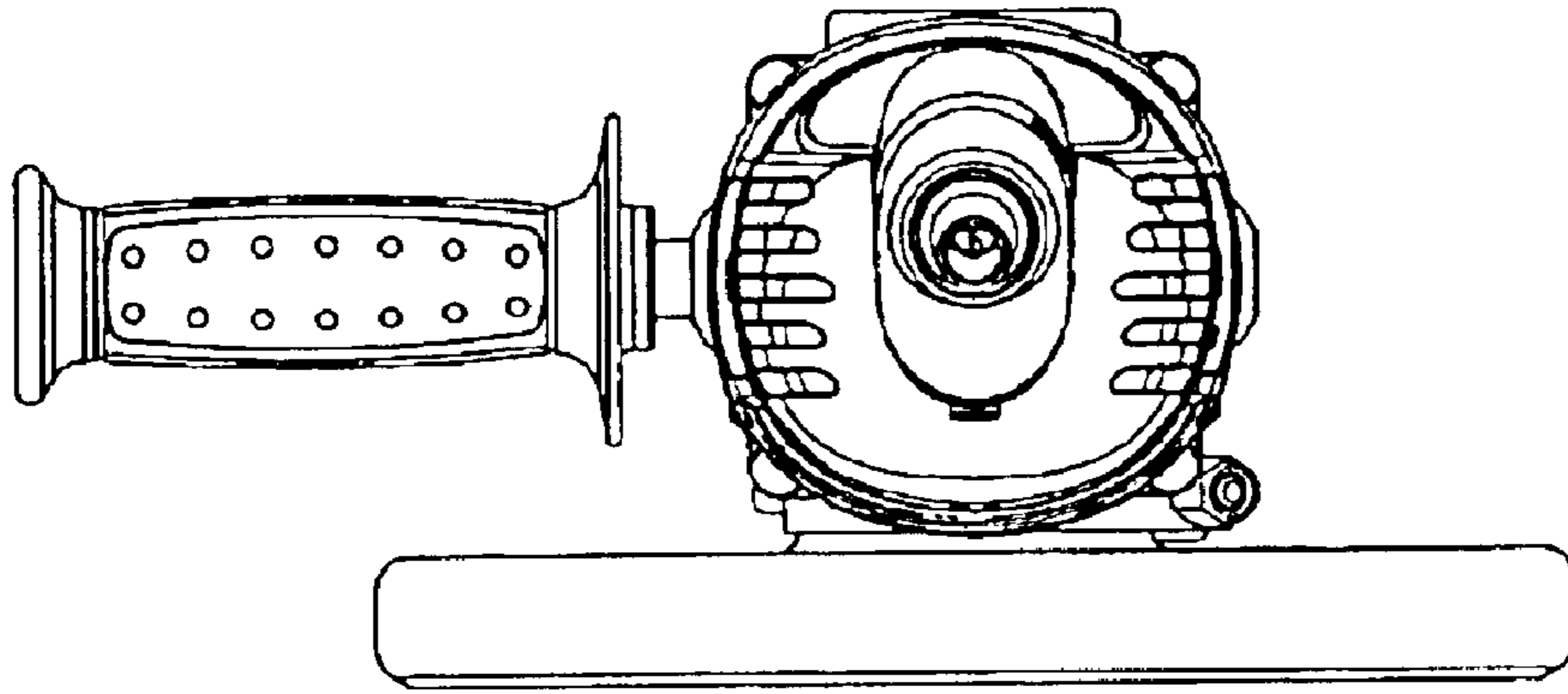


Fig. 3

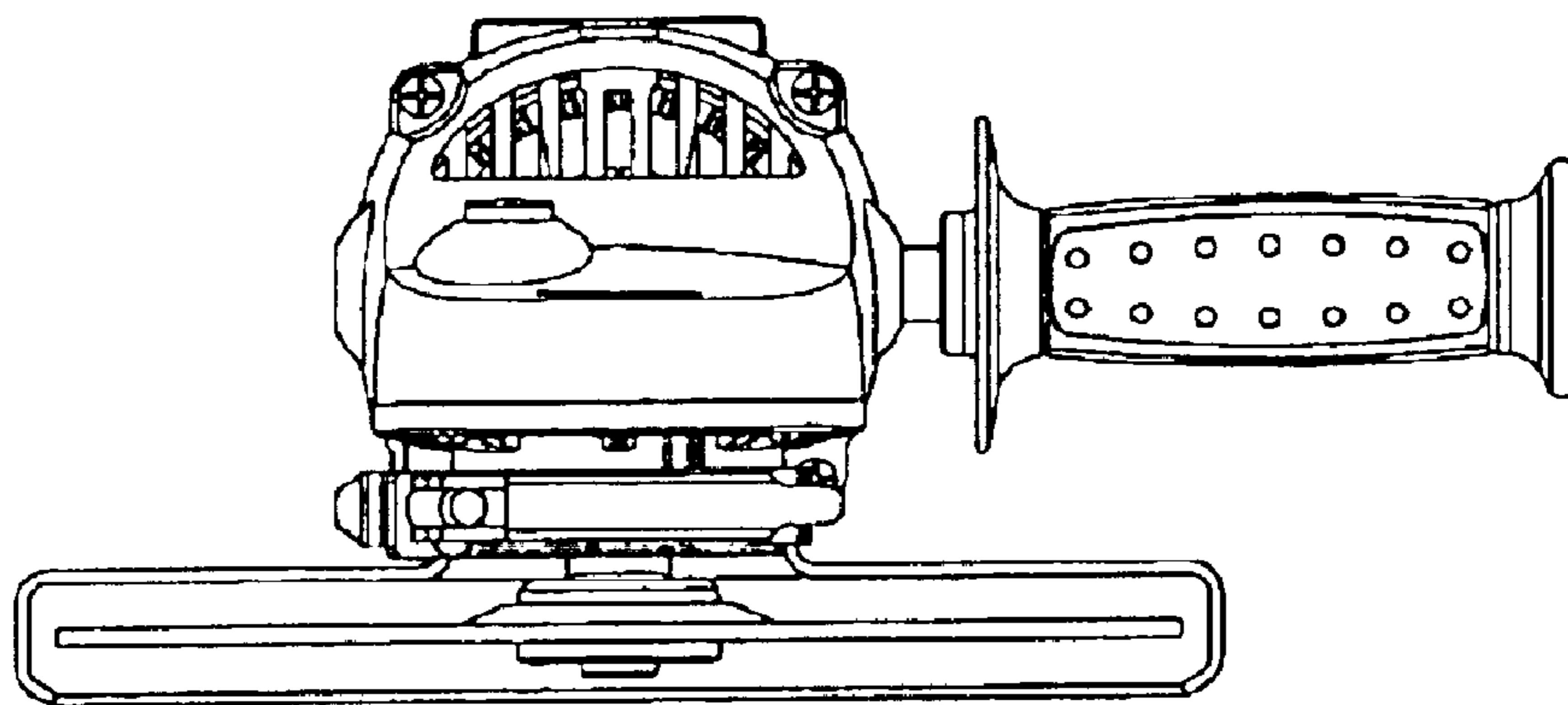


Fig. 4

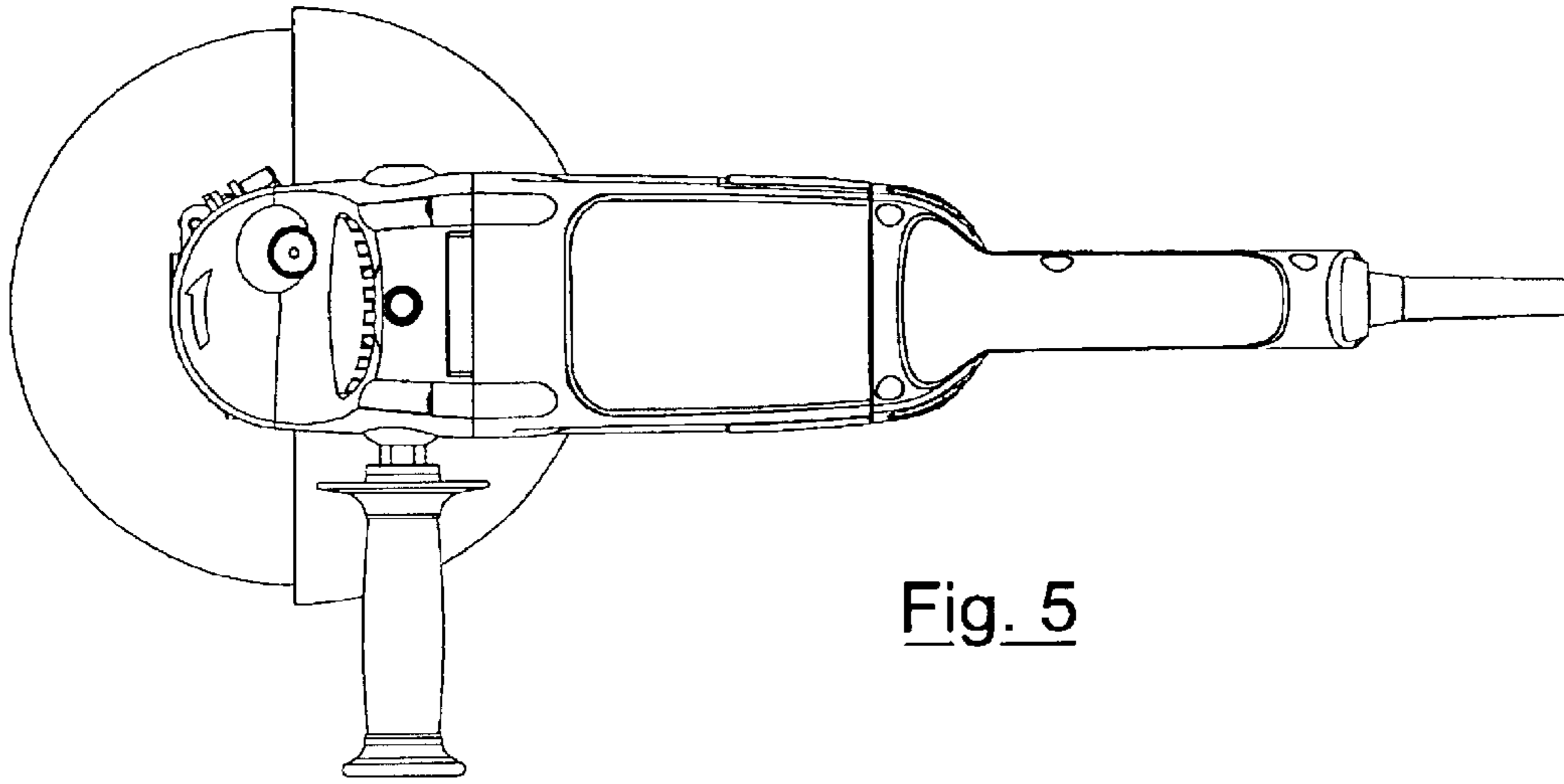


Fig. 5

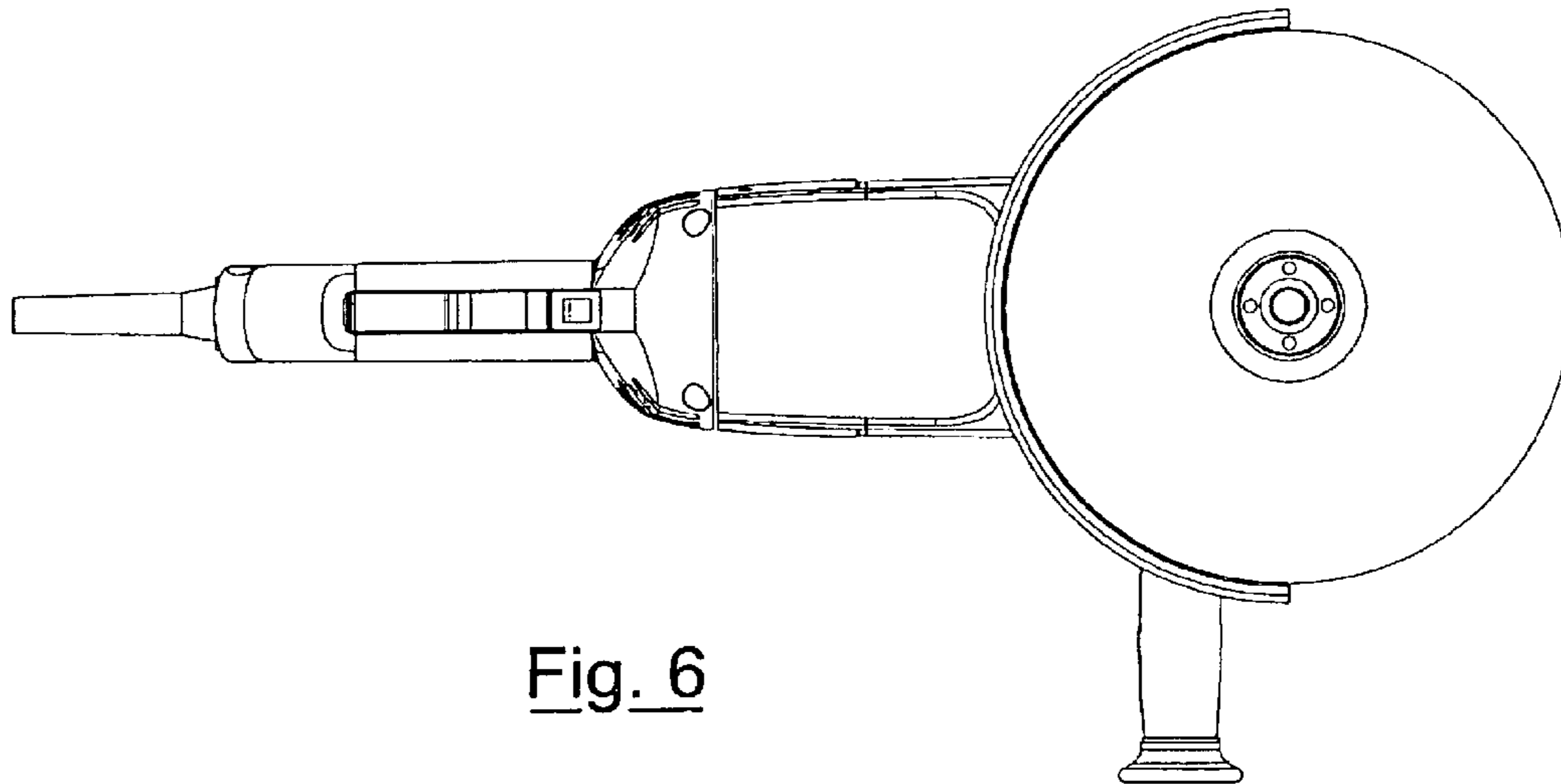


Fig. 6

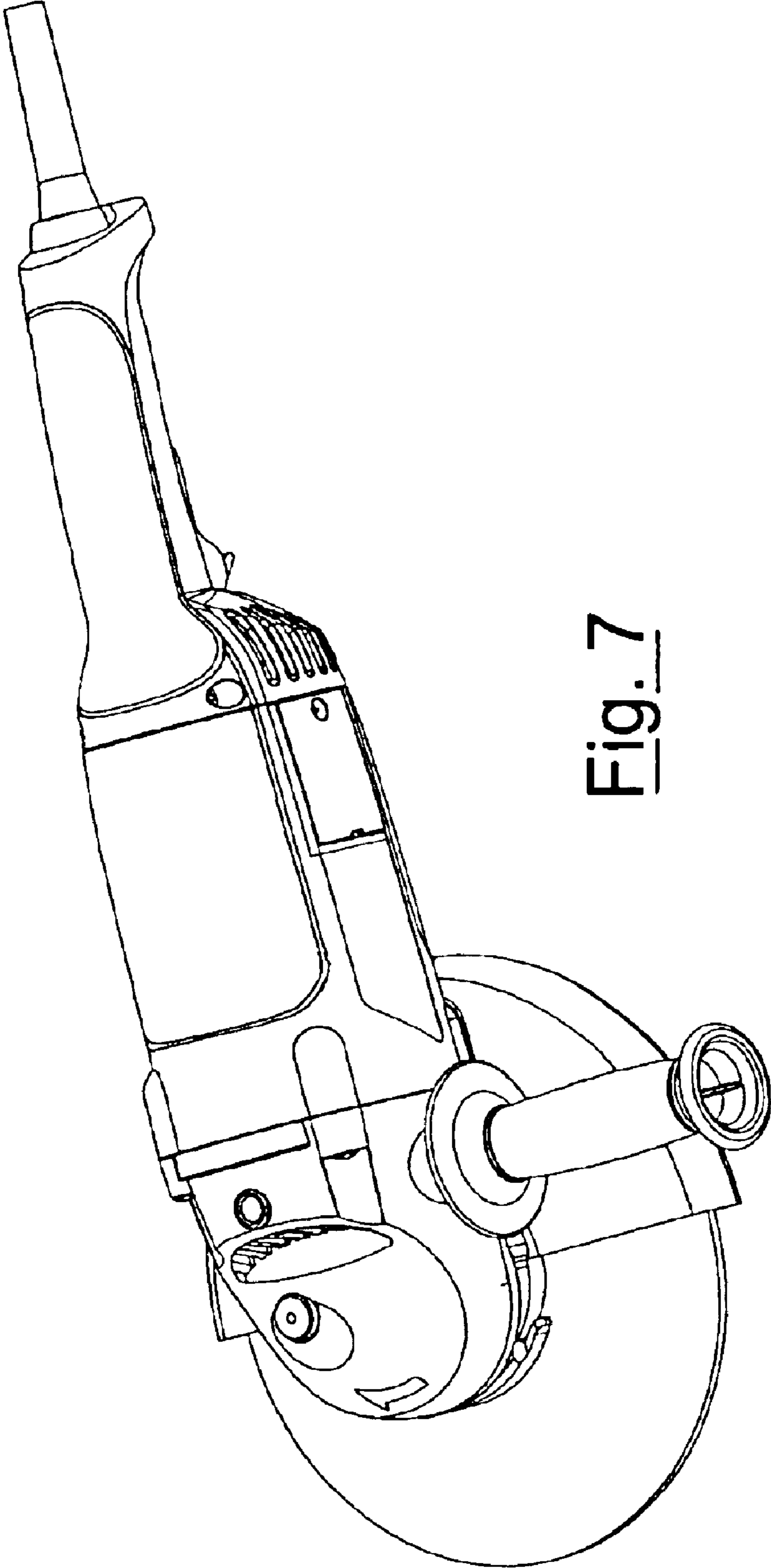


Fig. 7