

US00D494822S1

(12) **United States Design Patent**
Wyles

(10) **Patent No.:** **US D494,822 S**

(45) **Date of Patent:** **** Aug. 24, 2004**

(54) **GARDEN TOOL HEAD**

Primary Examiner—Holly Baynham

(76) **Inventor:** **Jeff Baxter Wyles**, 439 Murray St.,
Nanaimo, BC (CA), V9R 1B6

(57) **CLAIM**

The ornamental design for a garden tool head, as shown and described.

(**) **Term:** **14 Years**

(21) **Appl. No.:** **29/193,903**

(22) **Filed:** **Nov. 17, 2003**

DESCRIPTION

(51) **LOC (7) Cl.** **08-01**

FIG. 1 is a perspective view seen from the front and left sides of a garden tool head showing my new design;

(52) **U.S. Cl.** **D8/11**

FIG. 2 is a rear elevational view thereof;

(58) **Field of Search** D8/7, 9, 11; 172/378,
172/372, 380

FIG. 3 is a top plan view thereof;

(56) **References Cited**

FIG. 4 is a front elevational view thereof;

U.S. PATENT DOCUMENTS

FIG. 5 is a bottom plan view thereof; and,

1,875,674 A * 9/1932 Strang 172/372

FIG. 6 is a right side elevational view thereof being a mirror image of the left side thereof.

4,093,031 A * 6/1978 Portz 172/372

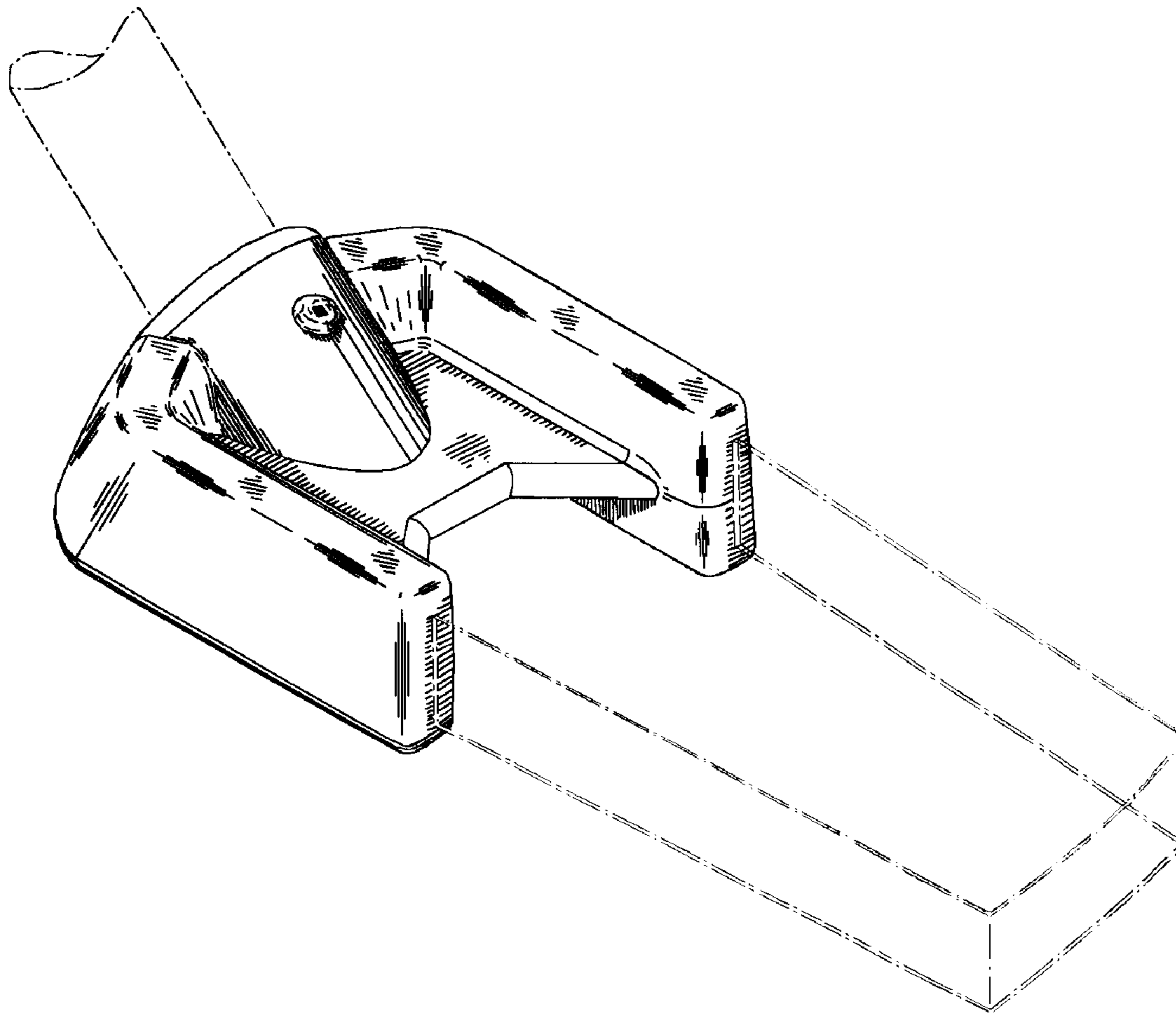
OTHER PUBLICATIONS

Kinsman Company, p. 51, head hoe located at bottom of page, 1989.*

True Temper Catalog, p. 16, scuffle hoe blade, item A located at bottom of page, Mar. 5, 1986.*

* cited by examiner

1 Claim, 3 Drawing Sheets



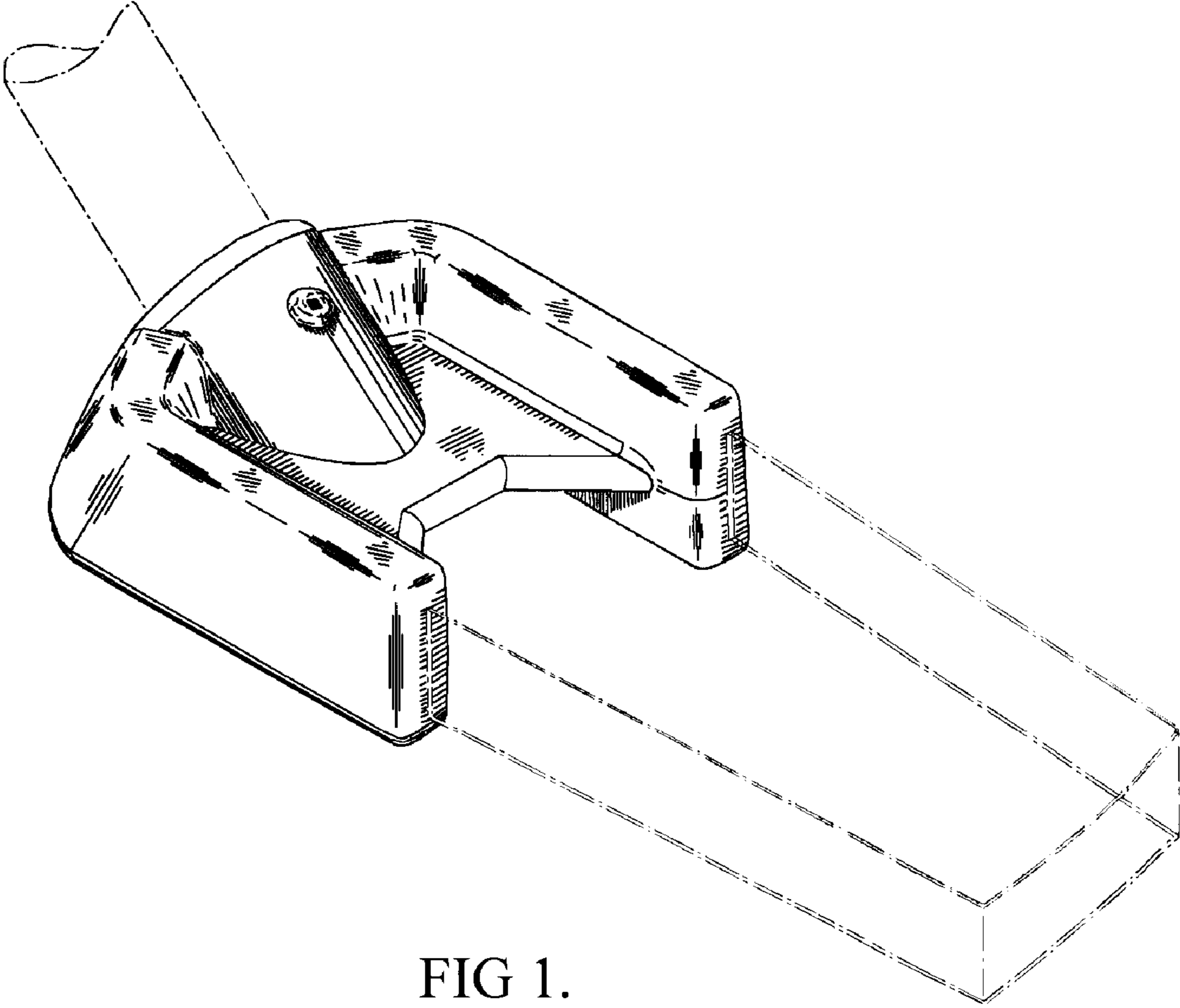


FIG 1.

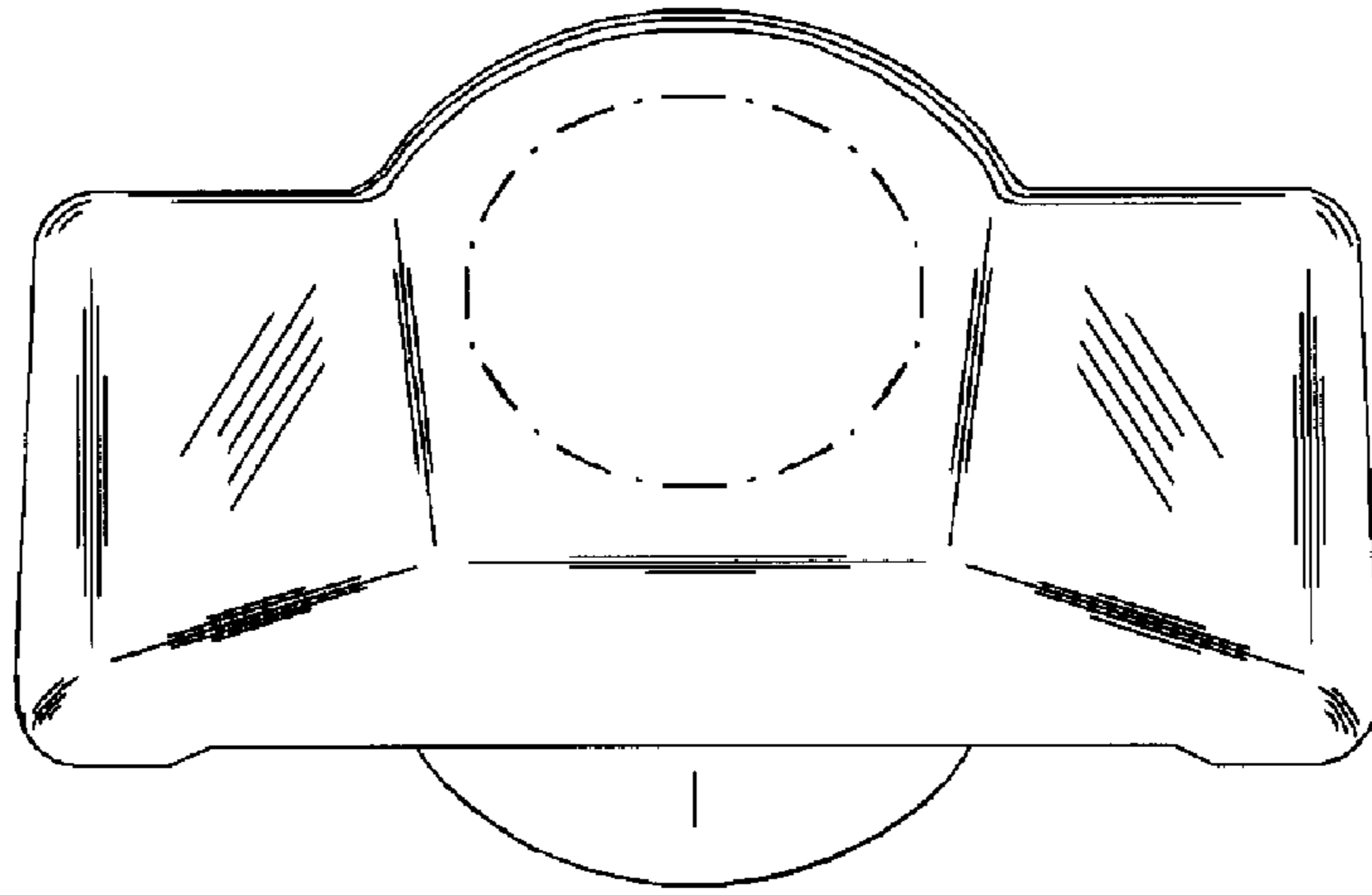


FIG 2.

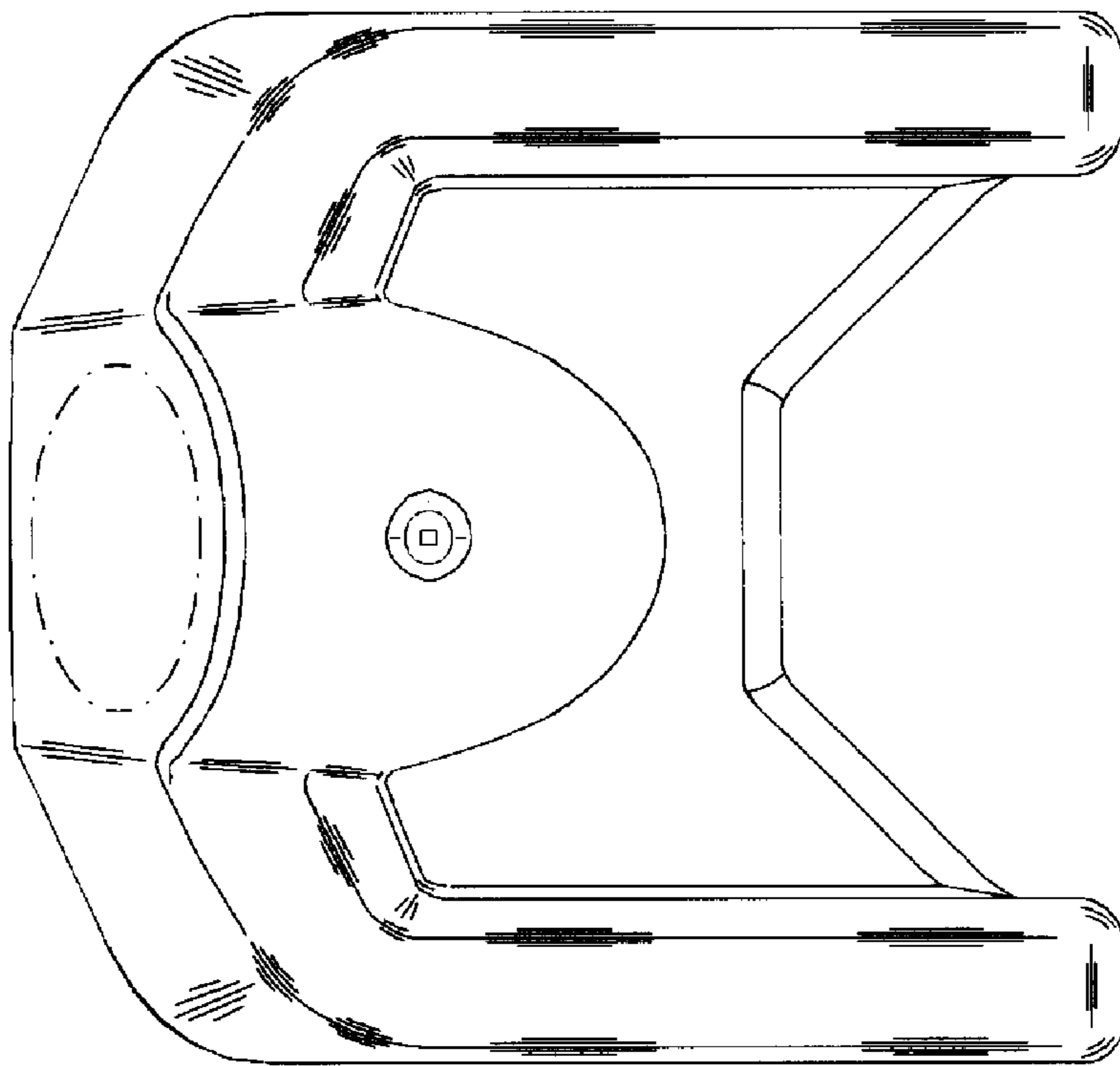


FIG 3.

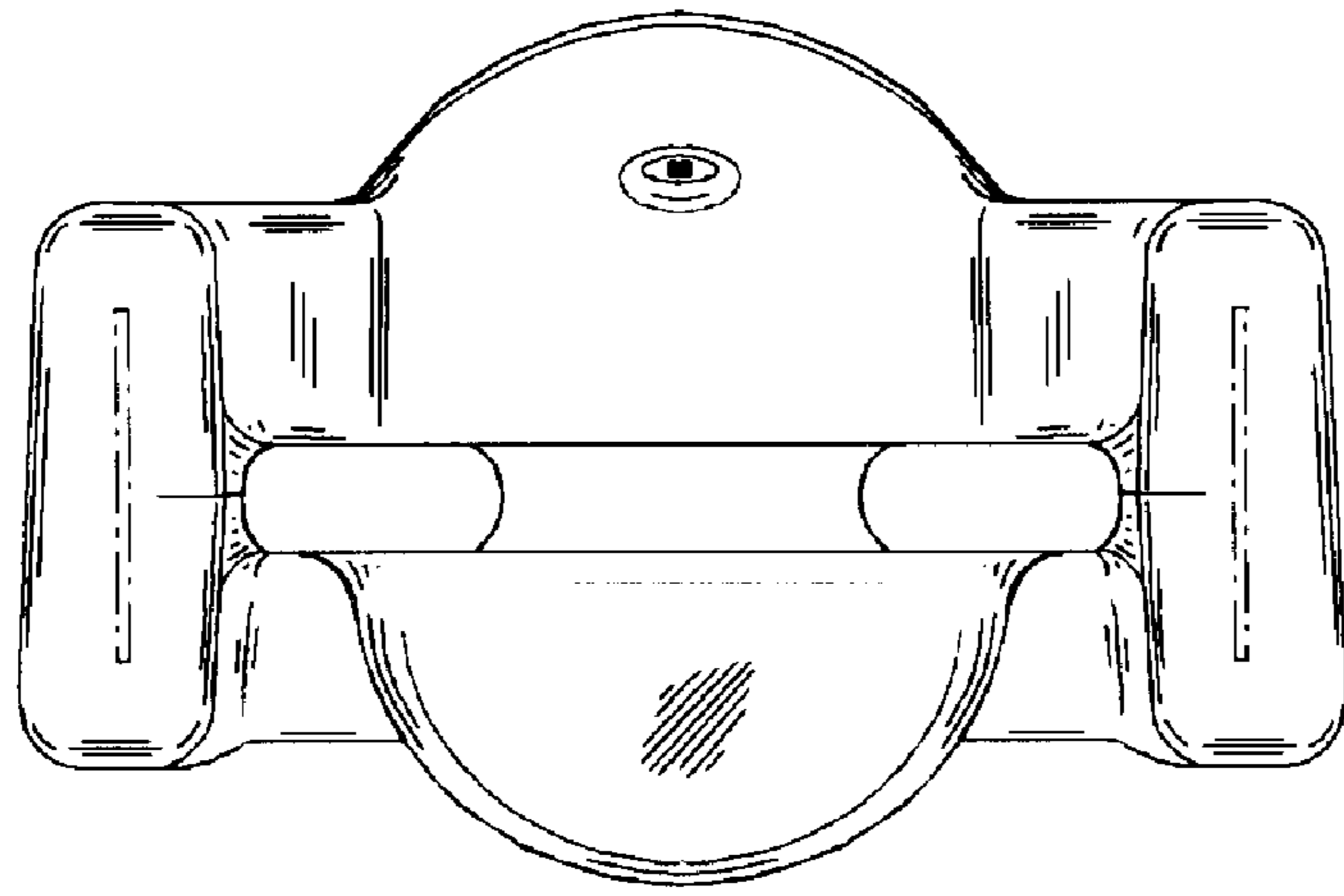


FIG 4.

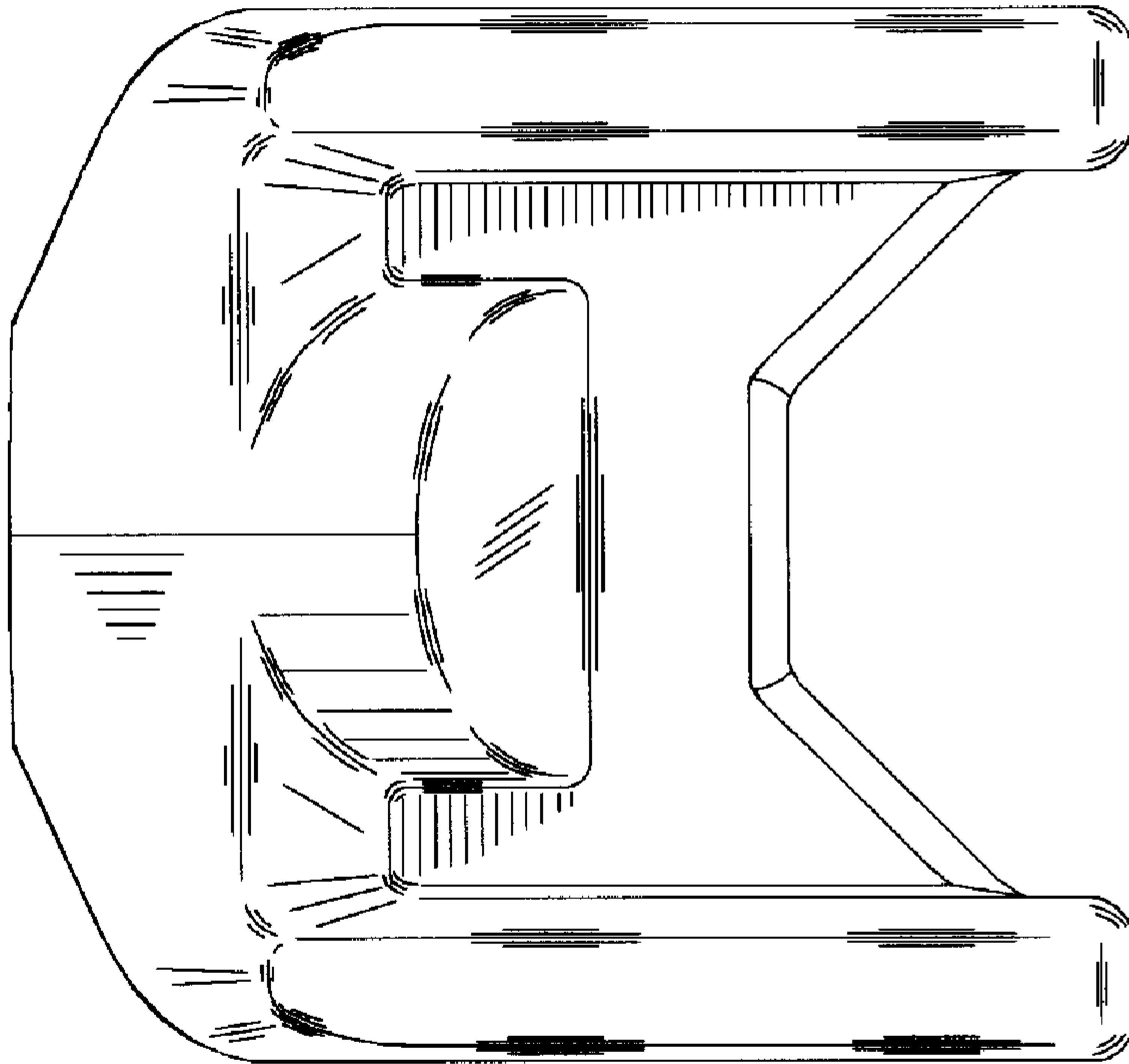


FIG 5.

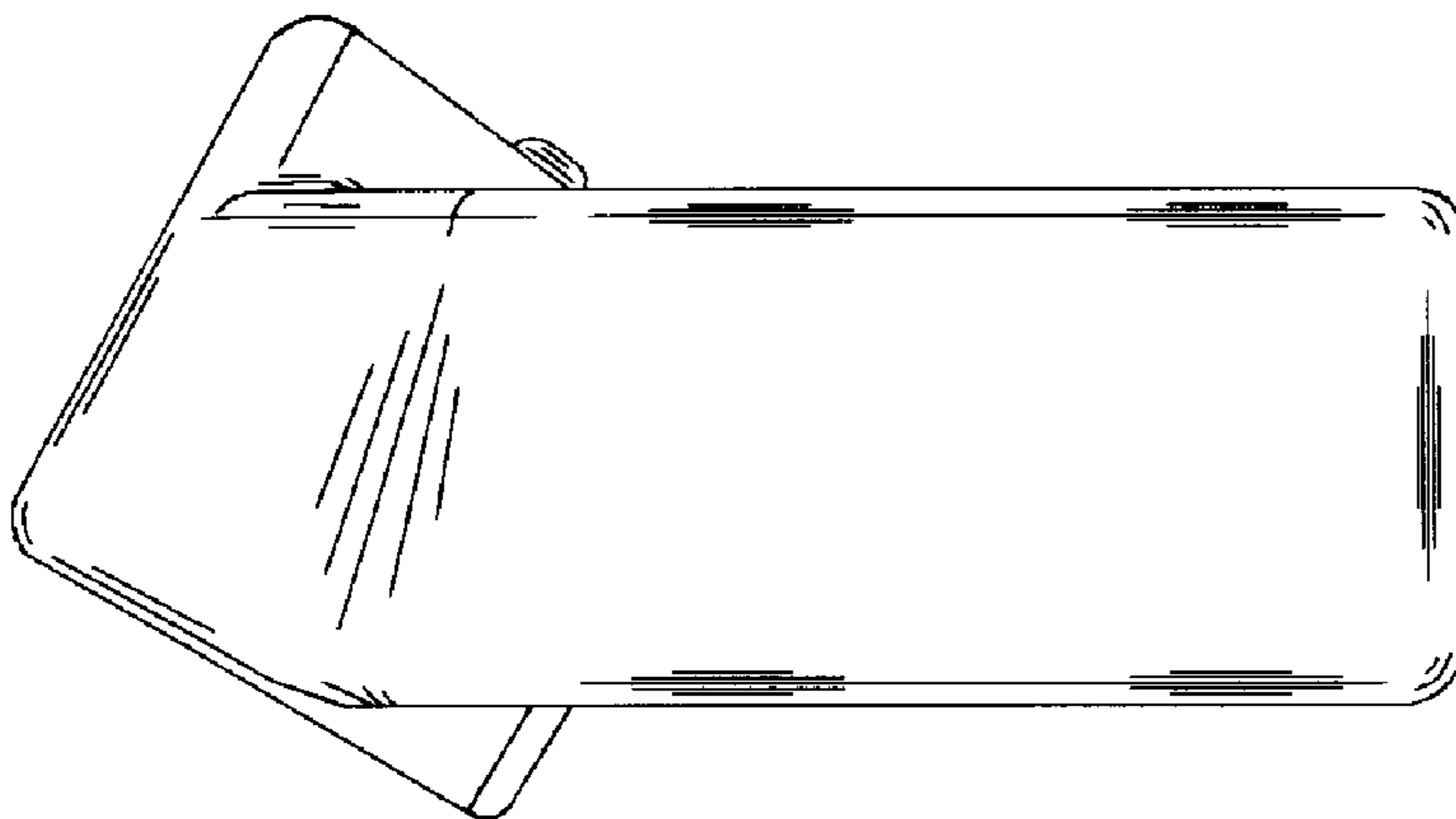


FIG 6.