

US00D494821S1

(12) **United States Design Patent**
Spalding

(10) **Patent No.:** **US D494,821 S**

(45) **Date of Patent:** **** Aug. 24, 2004**

(54) **MANUAL FOOD PROCESSOR**

(75) **Inventor:** **Jerry E. Spalding**, Dallas County, TX (US)

(73) **Assignee:** **U.S. Jesco International, Ltd., Inc.**, Carrollton, TX (US)

(**) **Term:** **14 Years**

(21) **Appl. No.:** **29/183,861**

(22) **Filed:** **Jun. 18, 2003**

(51) **LOC (7) Cl.** **31-00**

(52) **U.S. Cl.** **D7/693; D7/384**

(58) **Field of Search** D7/693, 694, 672, D7/673, 678, 376, 378, 381, 384, 412-414; 99/485, 495, 509-511; 241/92, 93, 95, 100, 168, 169, 169.1, 273.1-273.4, 282.2, 282.1, 101.01; 366/64, 65, 67, 96, 242, 244, 247, 279, 343, 347

(56) **References Cited**

U.S. PATENT DOCUMENTS

- D361,694 S * 8/1995 Wong D7/384
- D391,804 S * 3/1998 Wong D7/376
- D395,194 S * 6/1998 Wong D7/384

- D426,743 S * 6/2000 Wong D7/384
- D433,594 S * 11/2000 Wong D7/384
- D433,871 S * 11/2000 Wong D7/384
- D480,613 S * 10/2003 Wong D7/693

* cited by examiner

Primary Examiner—Caron D. Veynar

(74) *Attorney, Agent, or Firm*—Harry C. Post, III

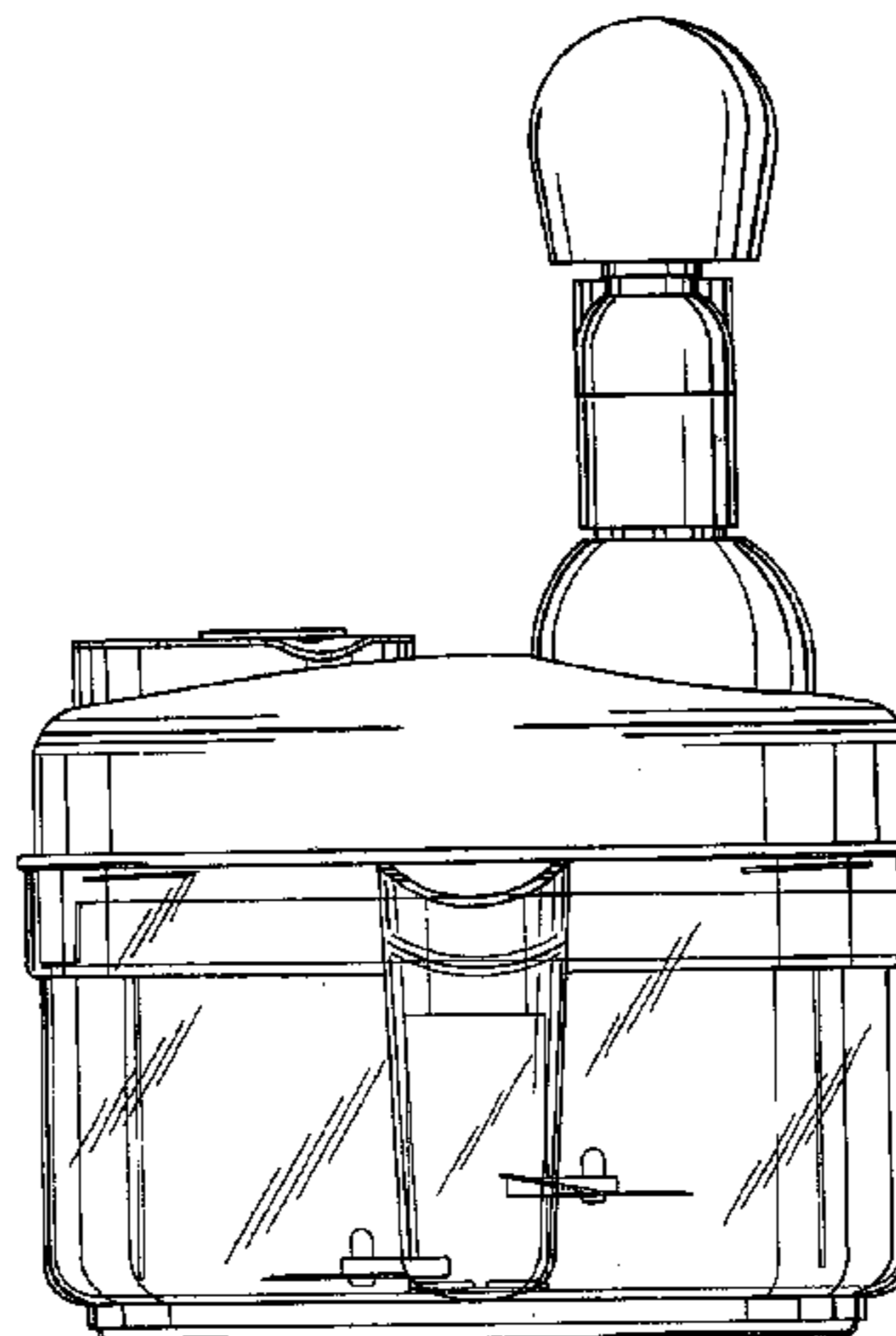
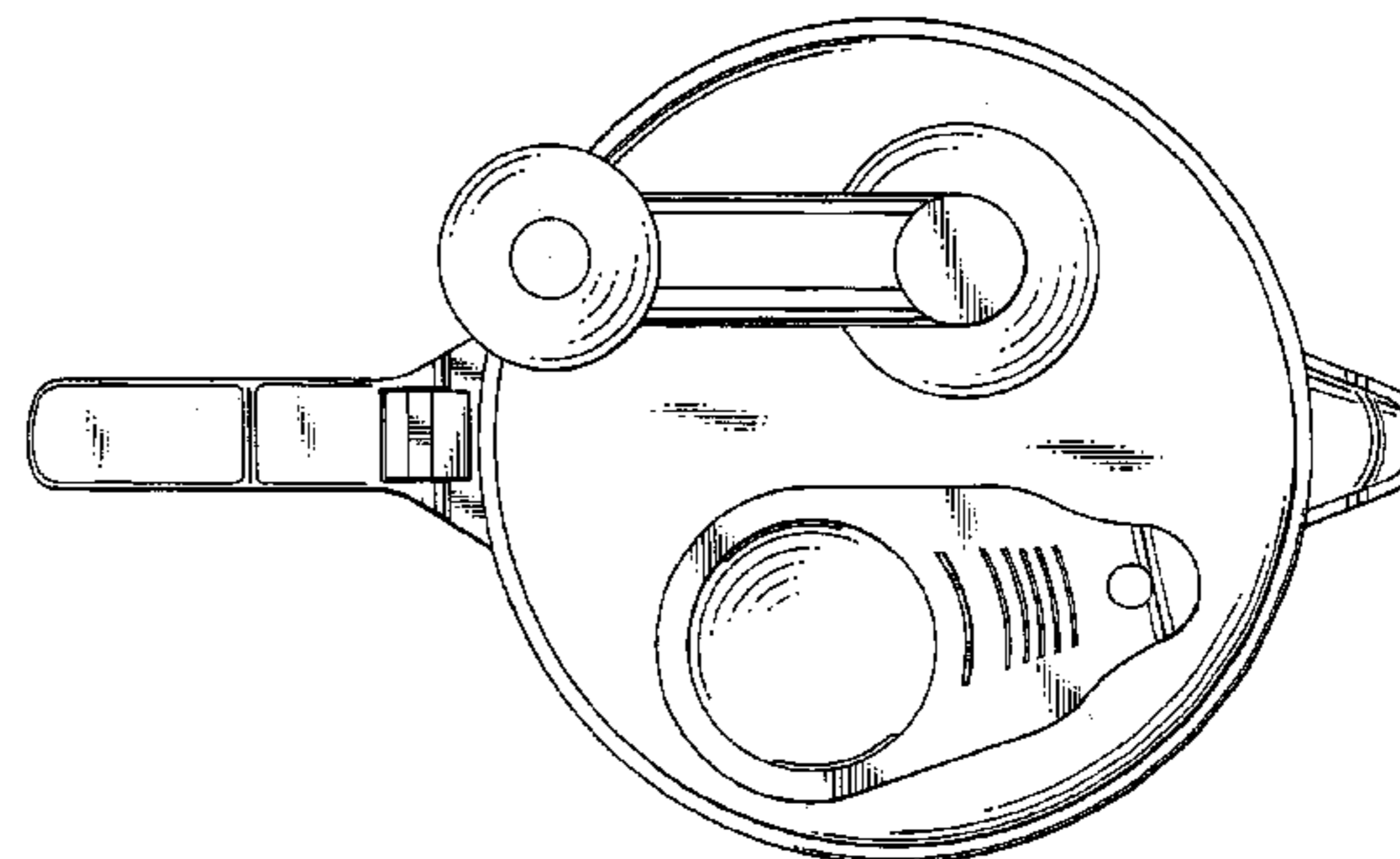
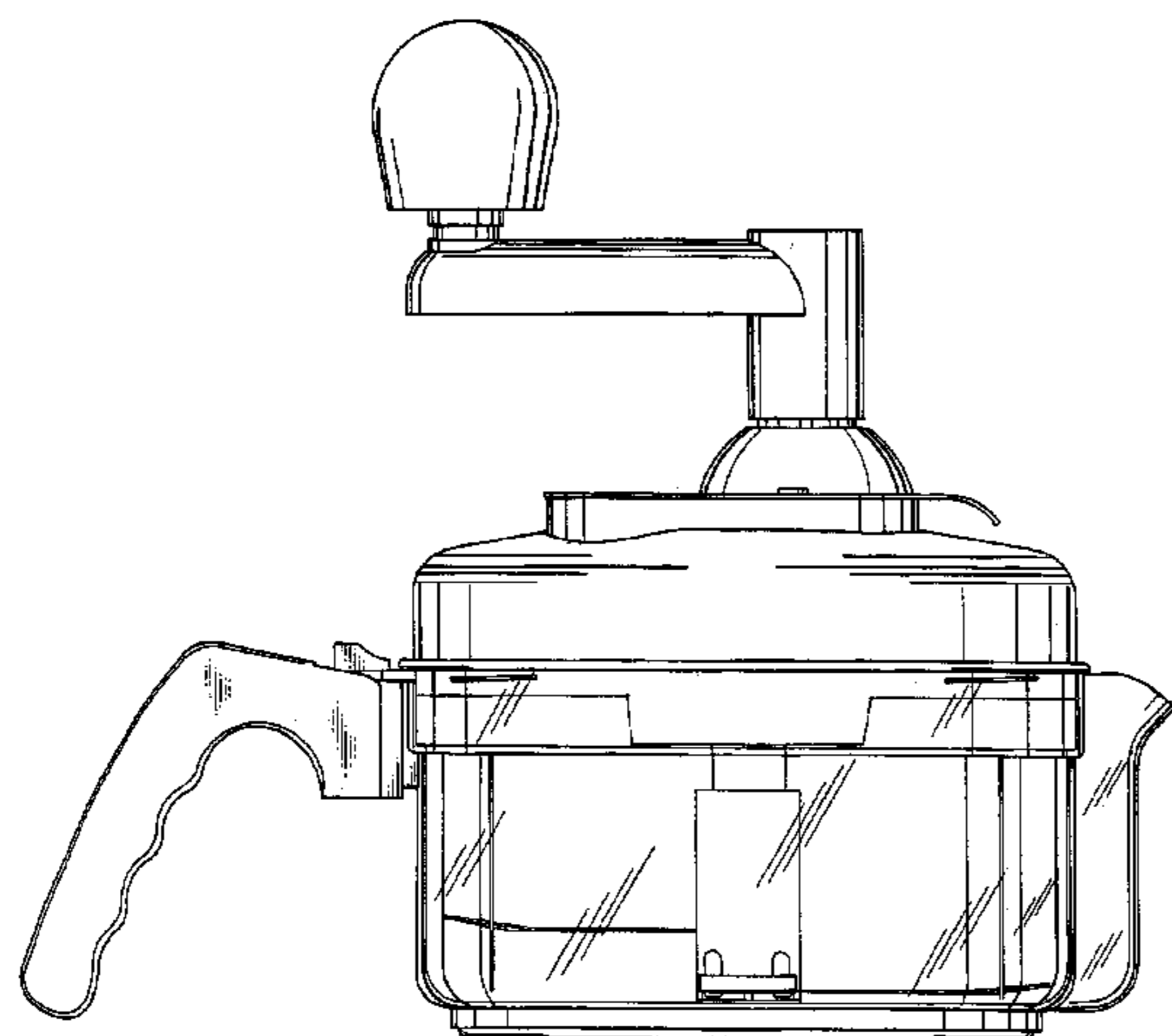
(57) **CLAIM**

I claim the ornamental design for a manual food processor, substantially as shown and described.

DESCRIPTION

FIG. 1 is an elevation view directed toward the right side of the manual food processor;
 FIG. 2 is a plan view directed toward the top of the manual food processor shown in FIG. 1;
 FIG. 3 is an elevation view directed toward the left side of the manual food processor shown in FIG. 1;
 FIG. 4 is an elevation view directed toward the front of the manual food processor shown in FIG. 1;
 FIG. 5 is an elevation view directed toward the back of the manual food processor shown in FIG. 1; and,
 FIG. 6 is a plan view directed toward the bottom of the manual food processor shown in FIG. 1.

1 Claim, 5 Drawing Sheets



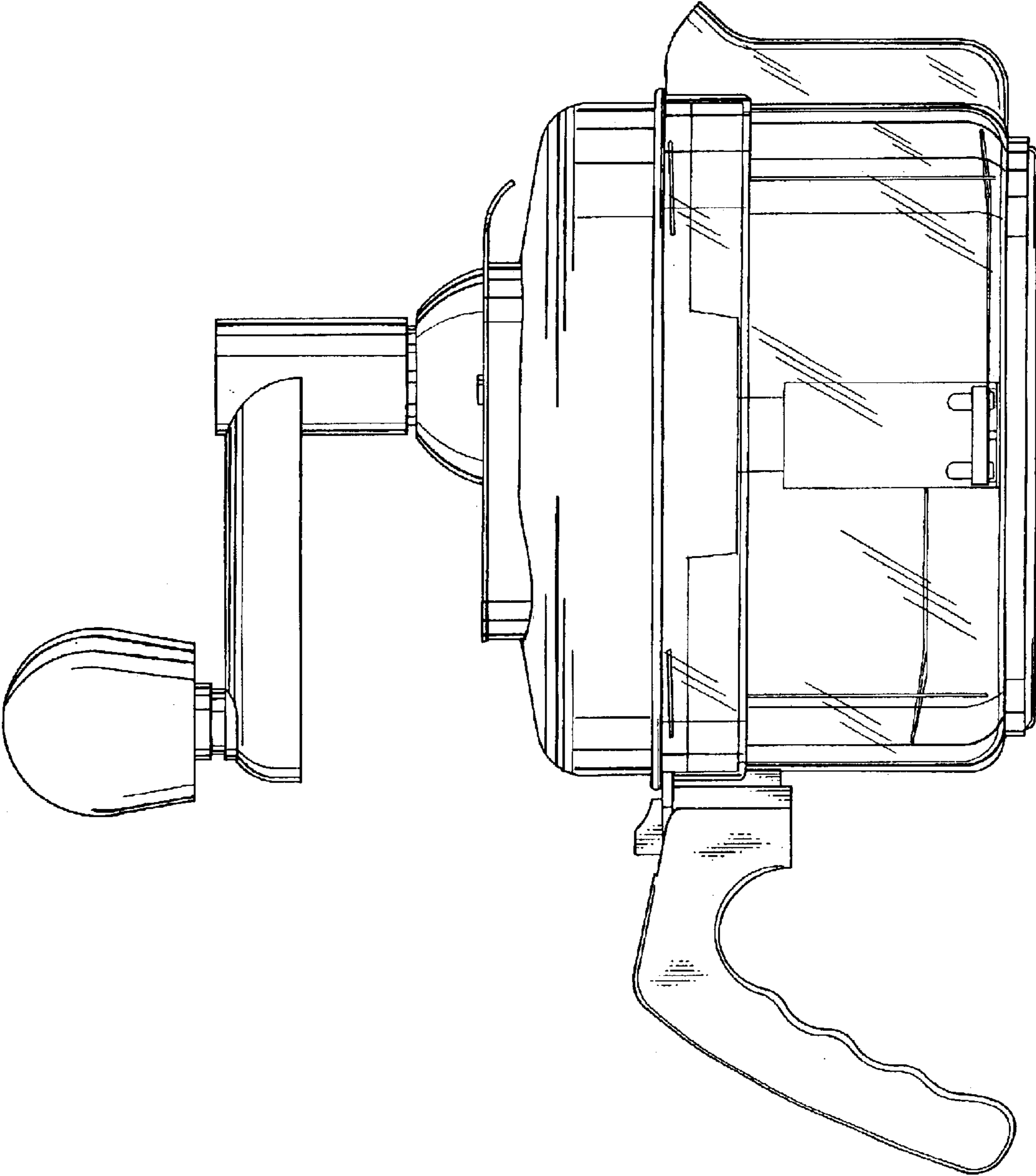


Fig. 1

Fig. 2

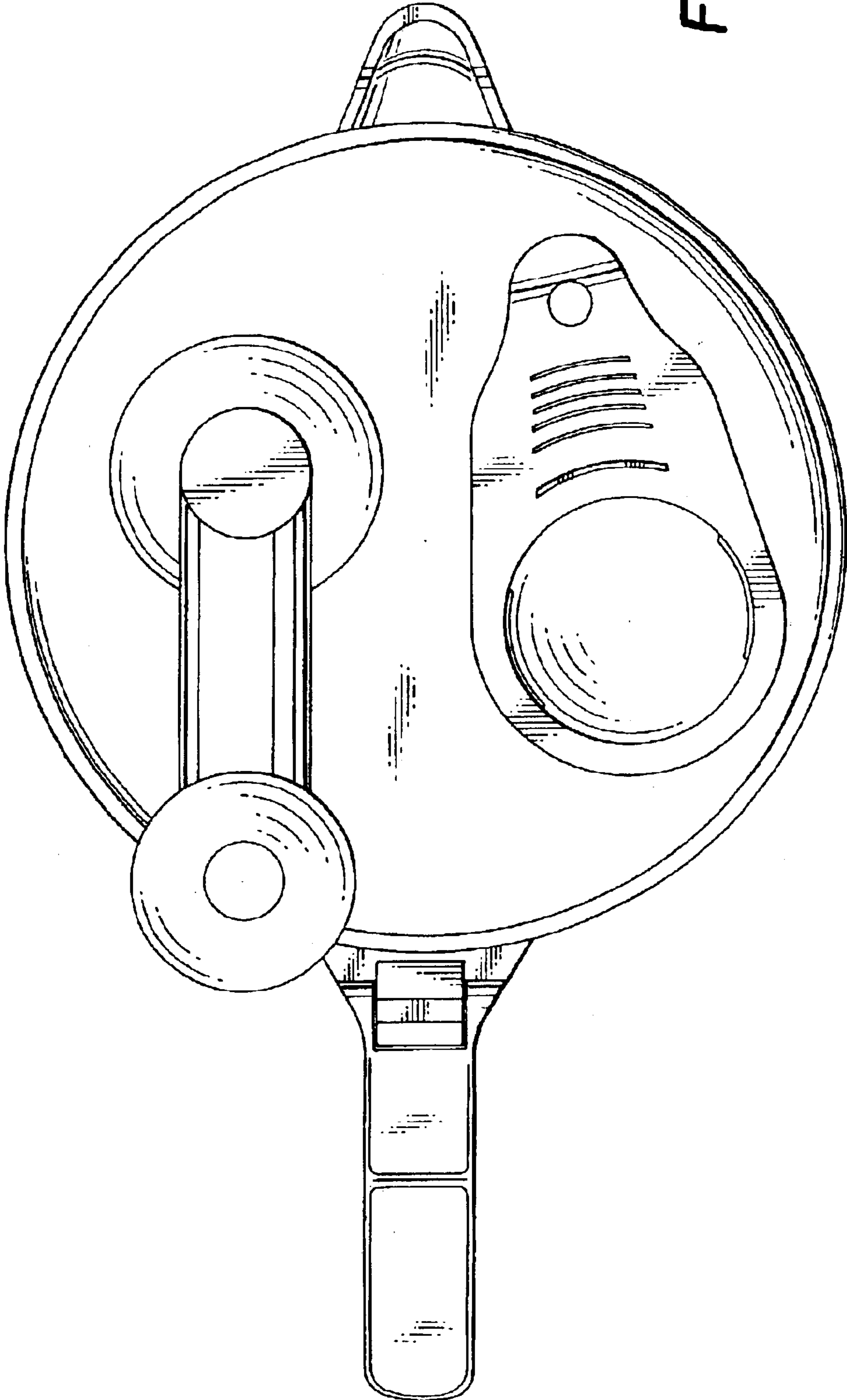
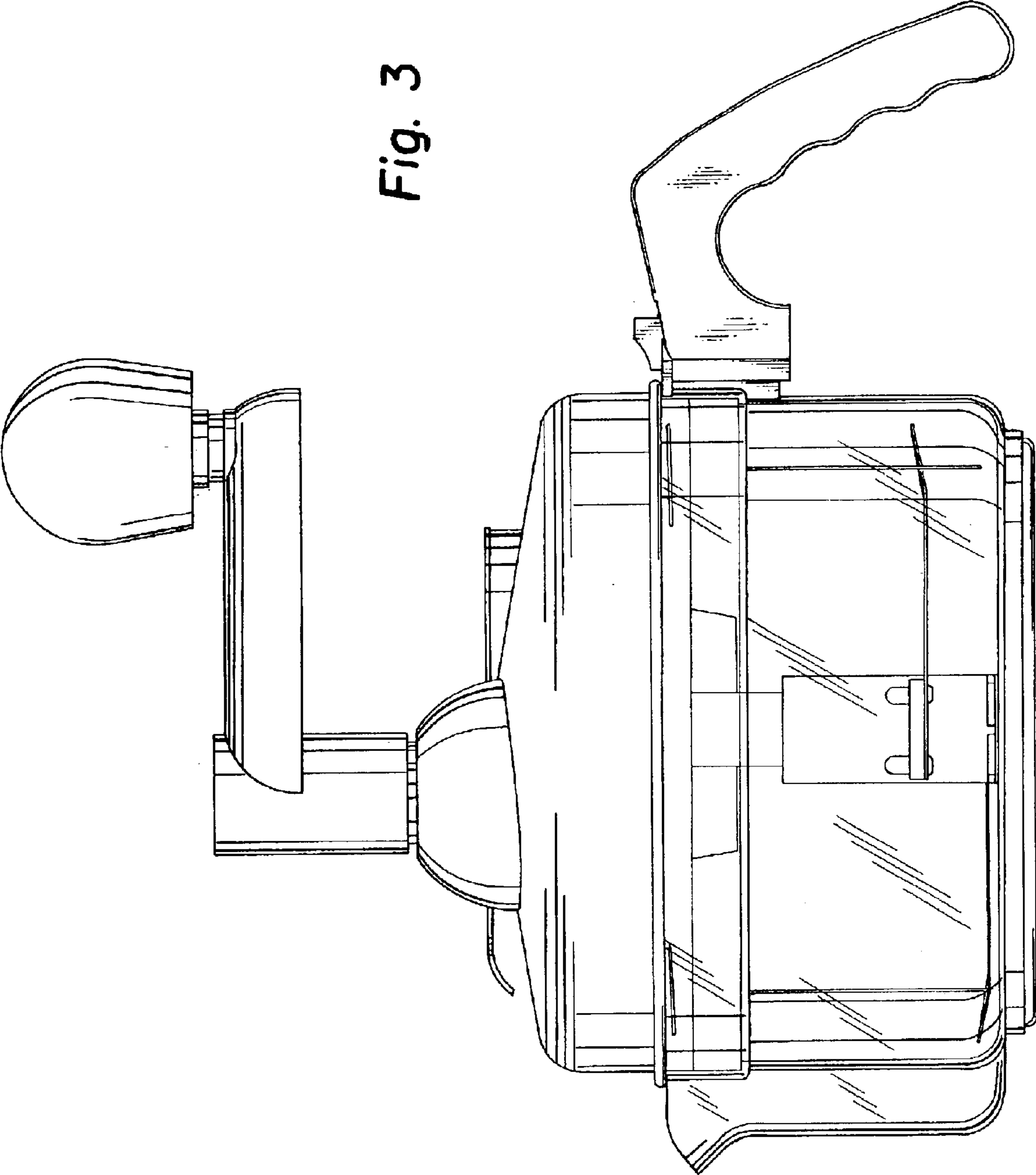


Fig. 3



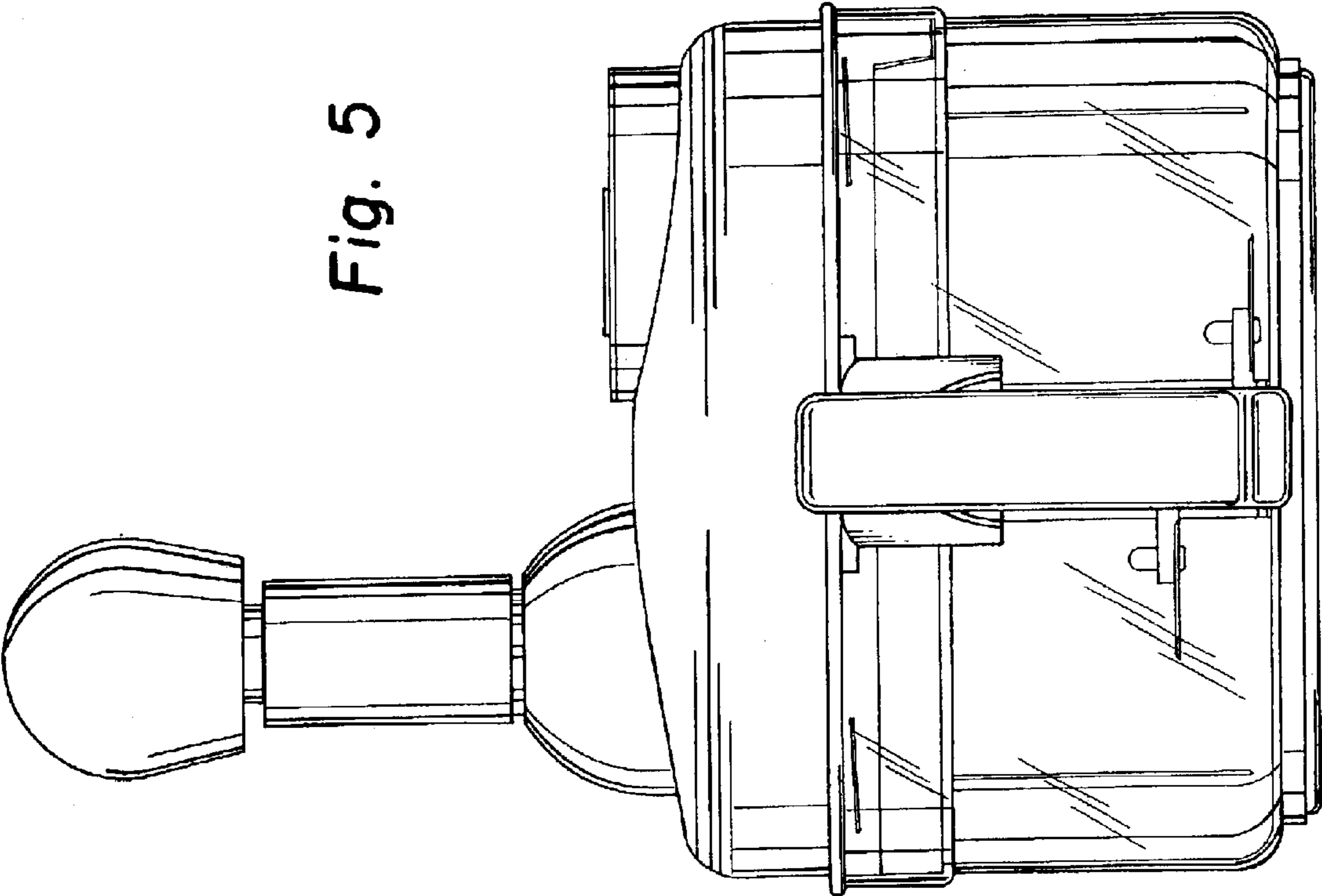


Fig. 5

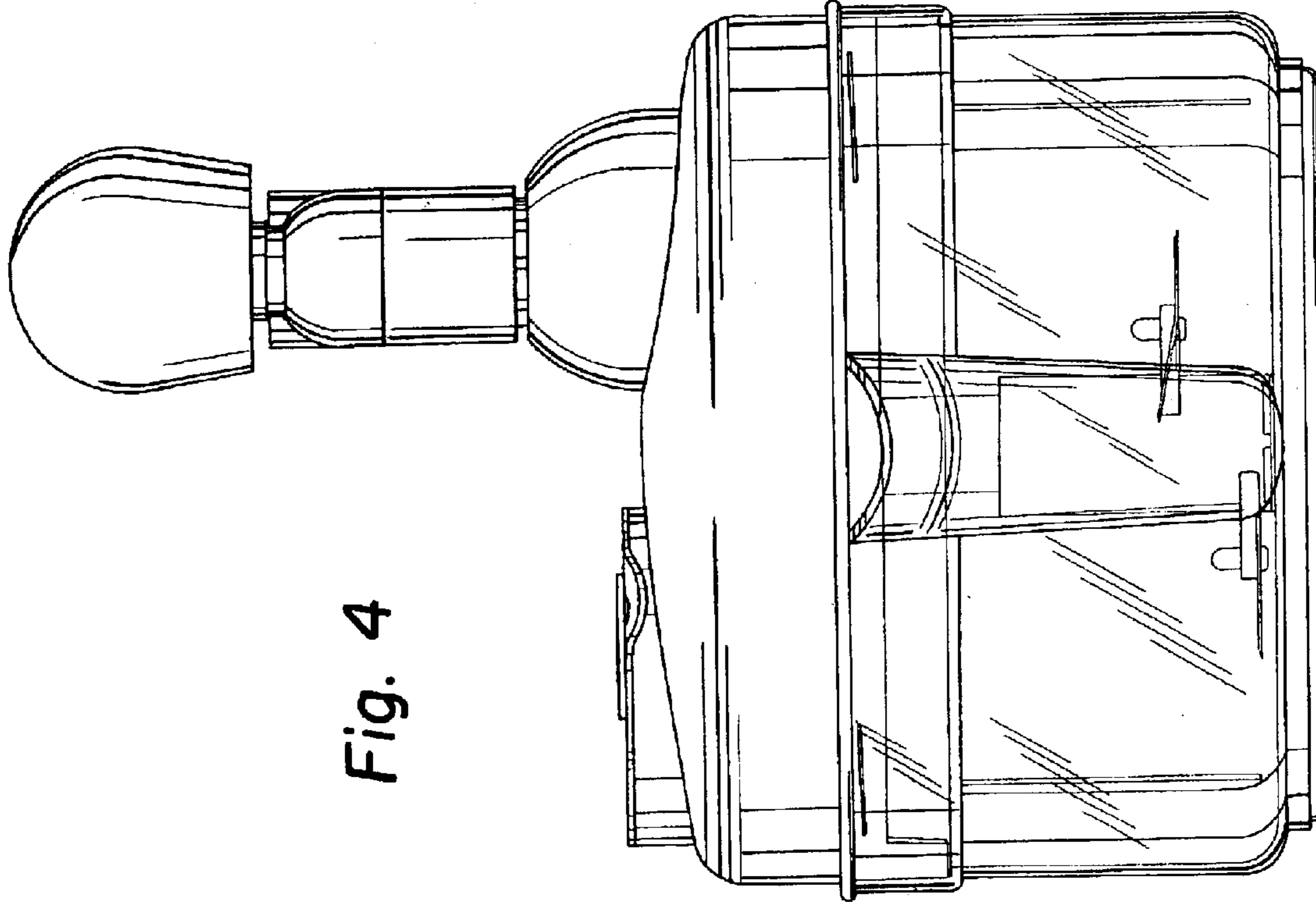


Fig. 4

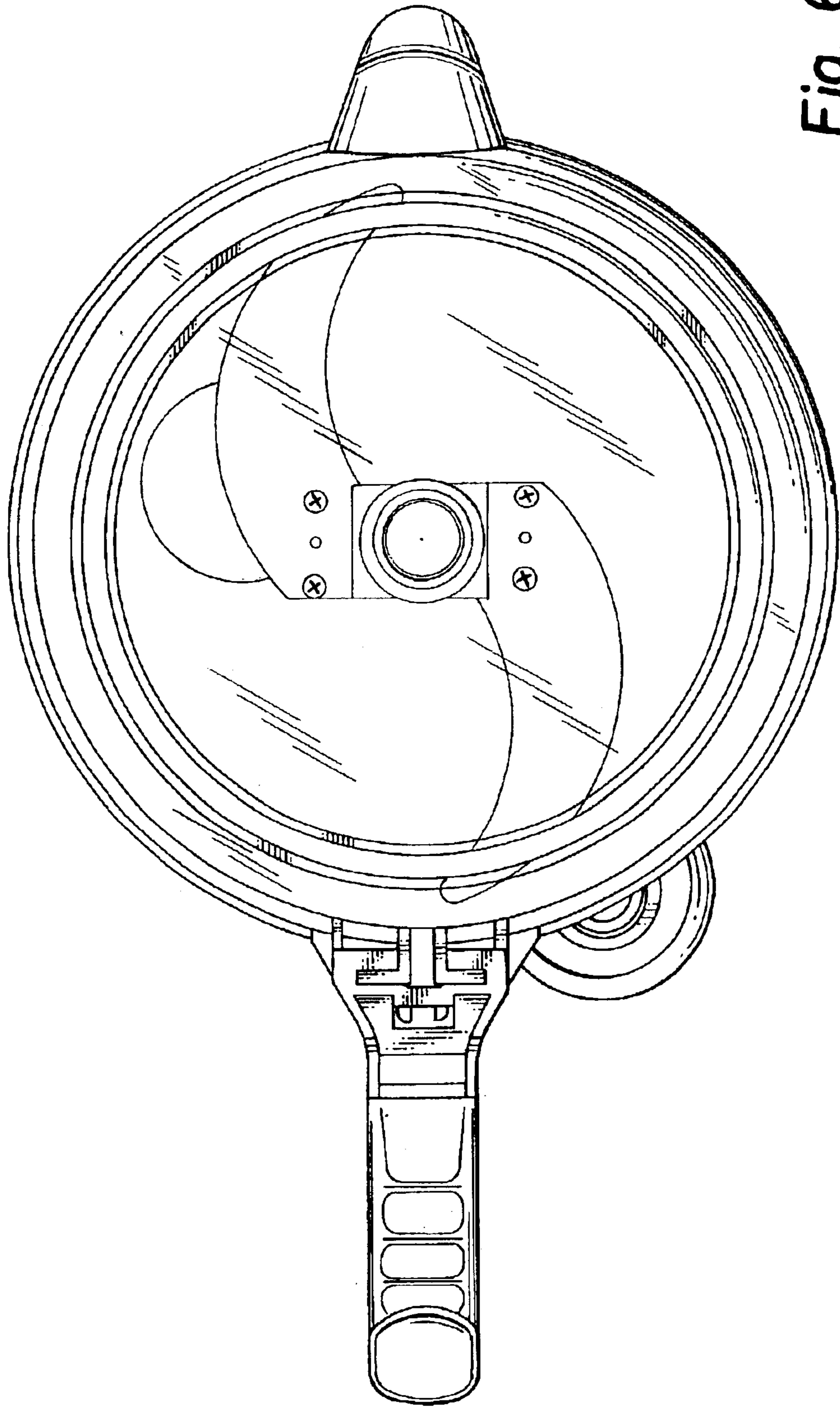


Fig. 6