

US00D494819S1

(12) **United States Design Patent**  
**Schwartzkopf**

(10) **Patent No.:** **US D494,819 S**

(45) **Date of Patent:** **\*\* Aug. 24, 2004**

(54) **COMBINED POT AND PAN CADDY**

(75) **Inventor:** **Todd Ed Alan Schwartzkopf,**  
Hudsonville, MI (US)

(73) **Assignee:** **Knape & Vogt Manufacturing Co.,**  
Grand Rapids, MI (US)

(\*\*) **Term:** **14 Years**

(21) **Appl. No.:** **29/188,619**

(22) **Filed:** **Aug. 20, 2003**

(51) **LOC (7) Cl.** ..... **07-99**

(52) **U.S. Cl.** ..... **D7/601**

(58) **Field of Search** ..... D7/601, 550.1;  
D19/92; 211/41.11, 13.1, 71.01, 126.1,  
126.4, 126.5, 126.9, 126.12

(56) **References Cited**

**U.S. PATENT DOCUMENTS**

3,141,554	A	*	7/1964	Sussman et al.	.....	211/126.4
3,648,849	A	*	3/1972	Harris et al.	.....	211/126.12
3,704,791	A	*	12/1972	Young, Jr.	.....	211/126.9
D456,044	S	*	4/2002	St. James	.....	D19/92

\* cited by examiner

*Primary Examiner*—Terry A. Wallace

(74) *Attorney, Agent, or Firm*—Van Dyke, Gardner, Linn &  
Burkhart, LLP

(57) **CLAIM**

The ornamental design for the combined pot and pan caddy,  
as shown and described.

**DESCRIPTION**

FIG. 1 is a perspective view of the combined pot and pan  
caddy of the present invention;

FIG. 2 is a top plan view of the combined pot and pan caddy  
of FIG. 1;

FIG. 3 is a front side elevation view of the combined pot and  
pan caddy of FIG. 1;

FIG. 4 is a rear elevation view of the combined pot and pan  
caddy of FIG. 1;

FIG. 5 is a right side elevation view of the combined pot and  
caddy pan of FIG. 1;

FIG. 6 is a left side elevation view of the combined pot and  
pan caddy of FIG. 1;

FIG. 7 is a bottom plan view of the combined pot and pan  
caddy of FIG. 1;

FIG. 8 is a perspective view of the lower shelf of the  
combined pot and pan caddy of FIG. 7;

FIG. 9 is a plan view of the shelf of FIG. 8;

FIG. 10 is a right side view of the shelf of FIG. 8;

FIG. 11 is a left side view of the shelf of FIG. 8;

FIG. 12 is a front end elevation view of the shelf of FIG. 8;

FIG. 13 is a rear elevation view of the shelf of FIG. 8; and,

FIG. 14 is a bottom elevation view of the shelf of FIG. 8.

The lower shelf in FIGS. 8–14 is shown separately for  
clarity of illustration.

**1 Claim, 6 Drawing Sheets**

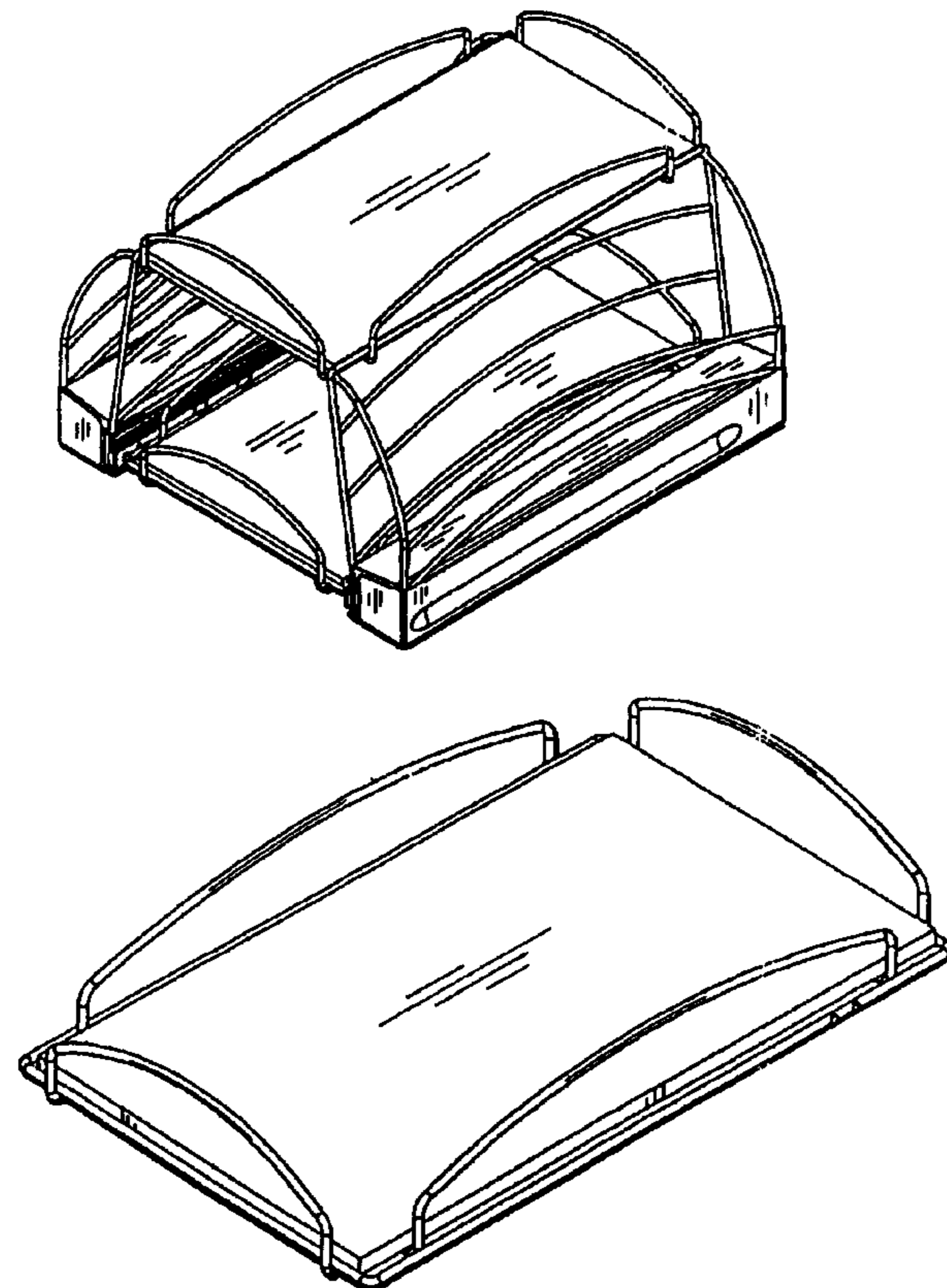
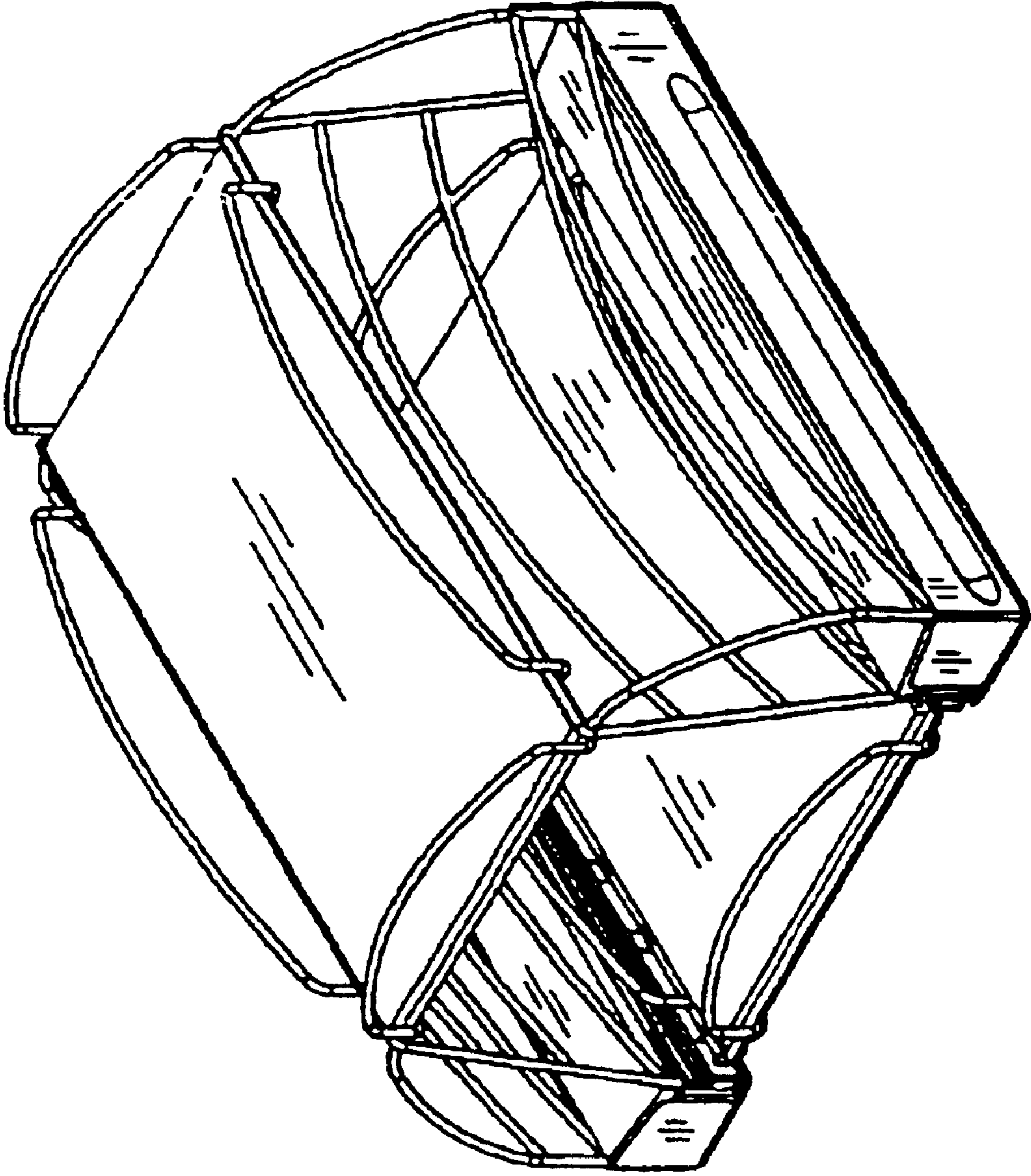


FIG. 1



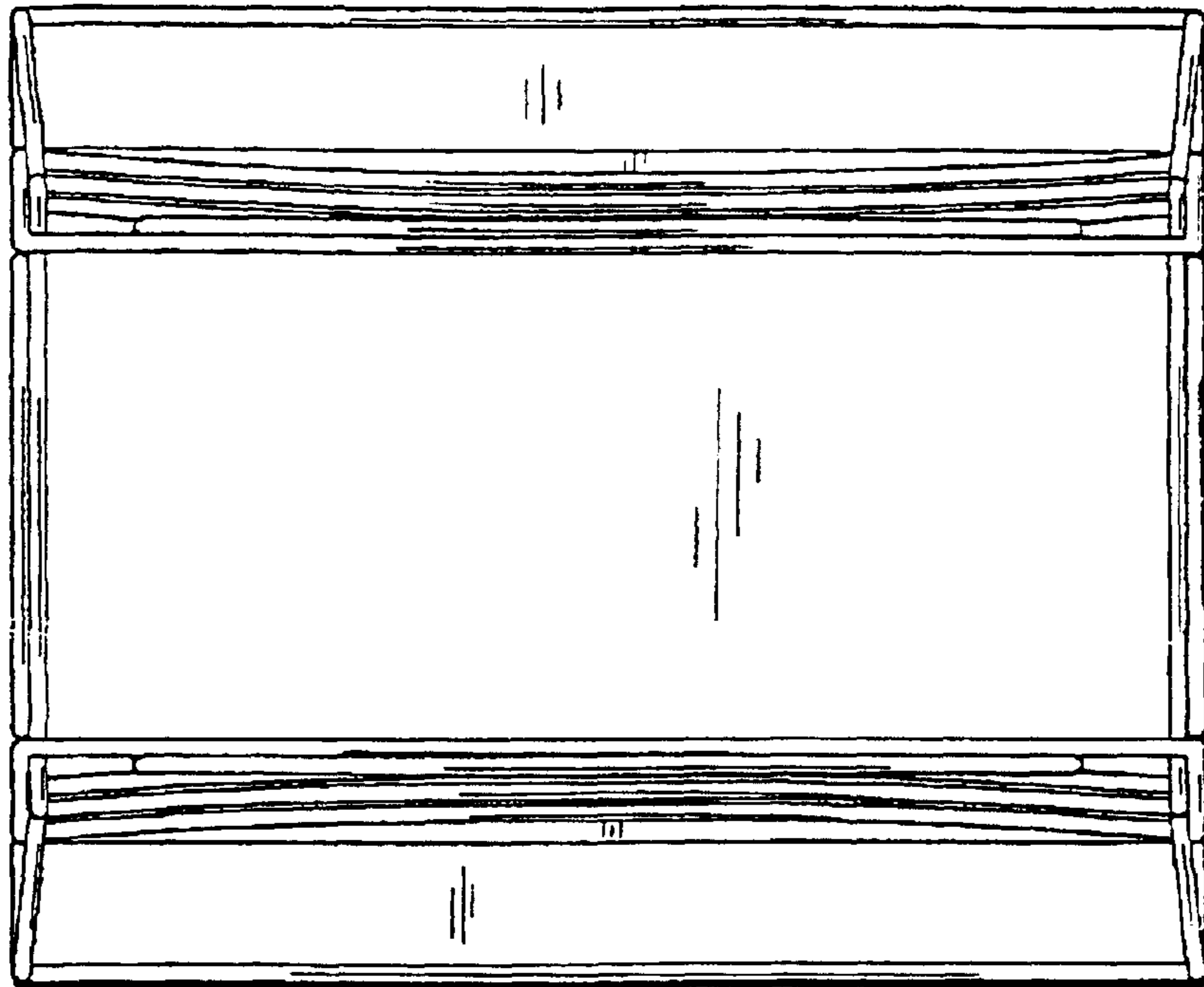


FIG. 2

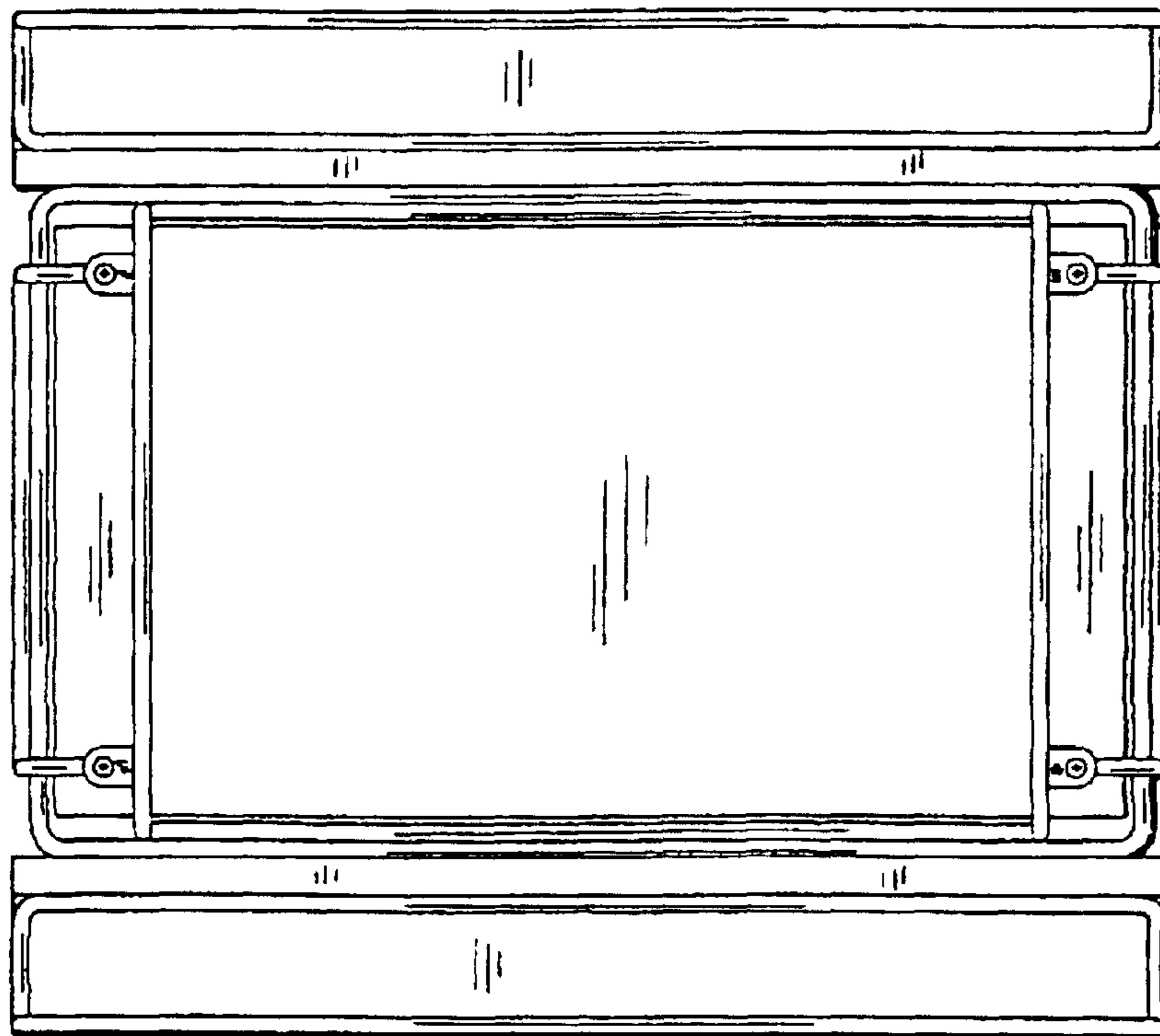


FIG. 7

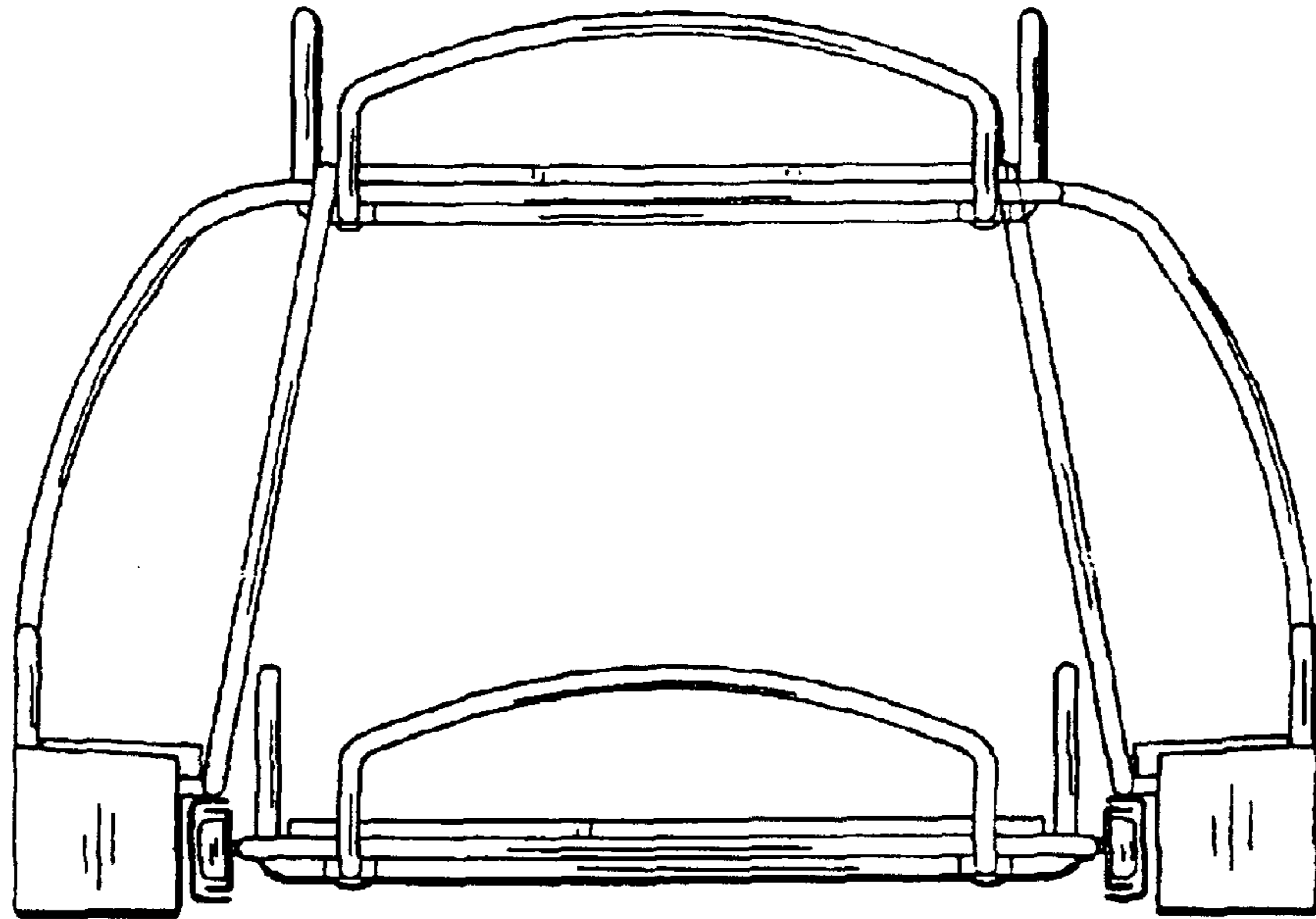


FIG. 3

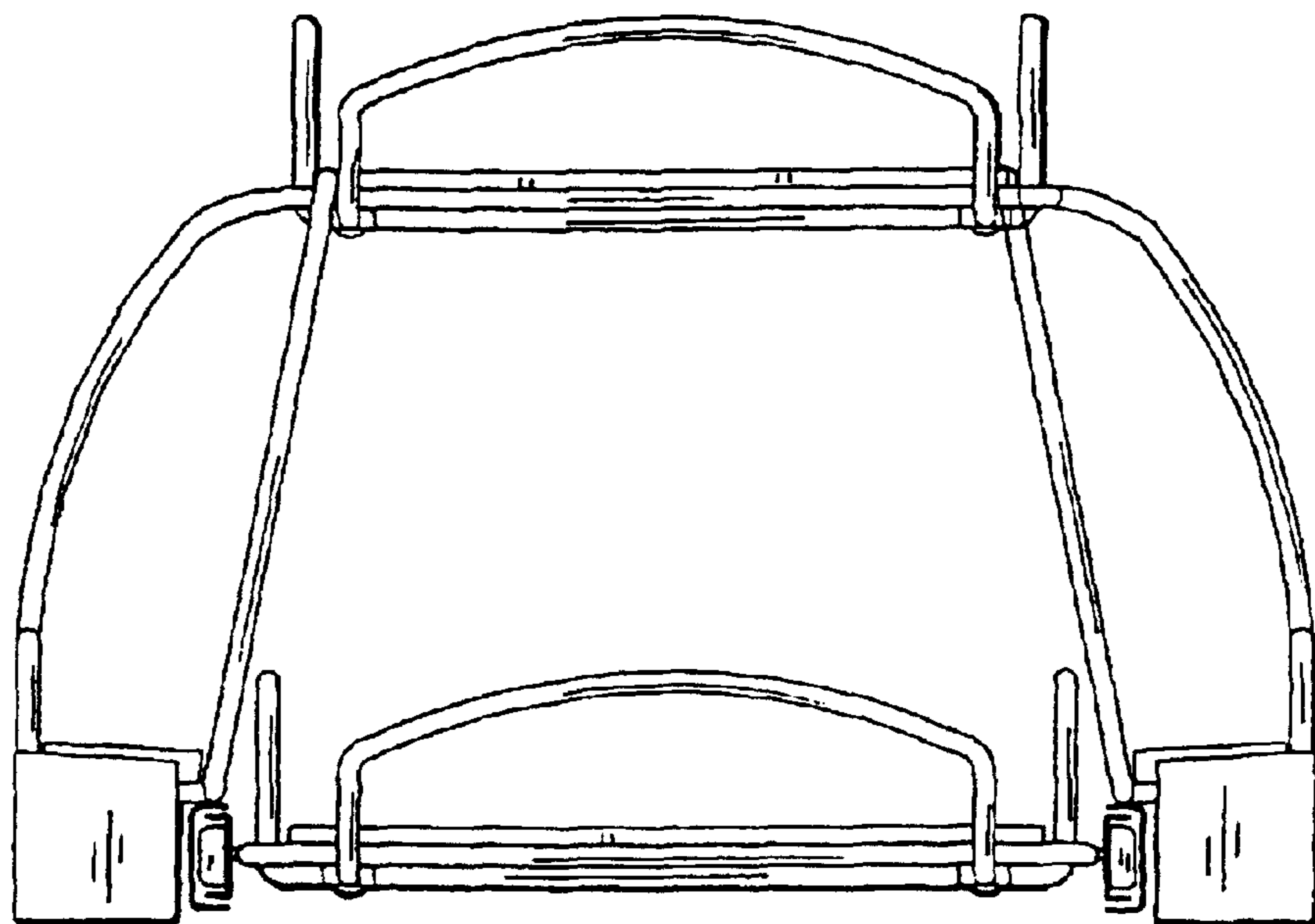


FIG. 4

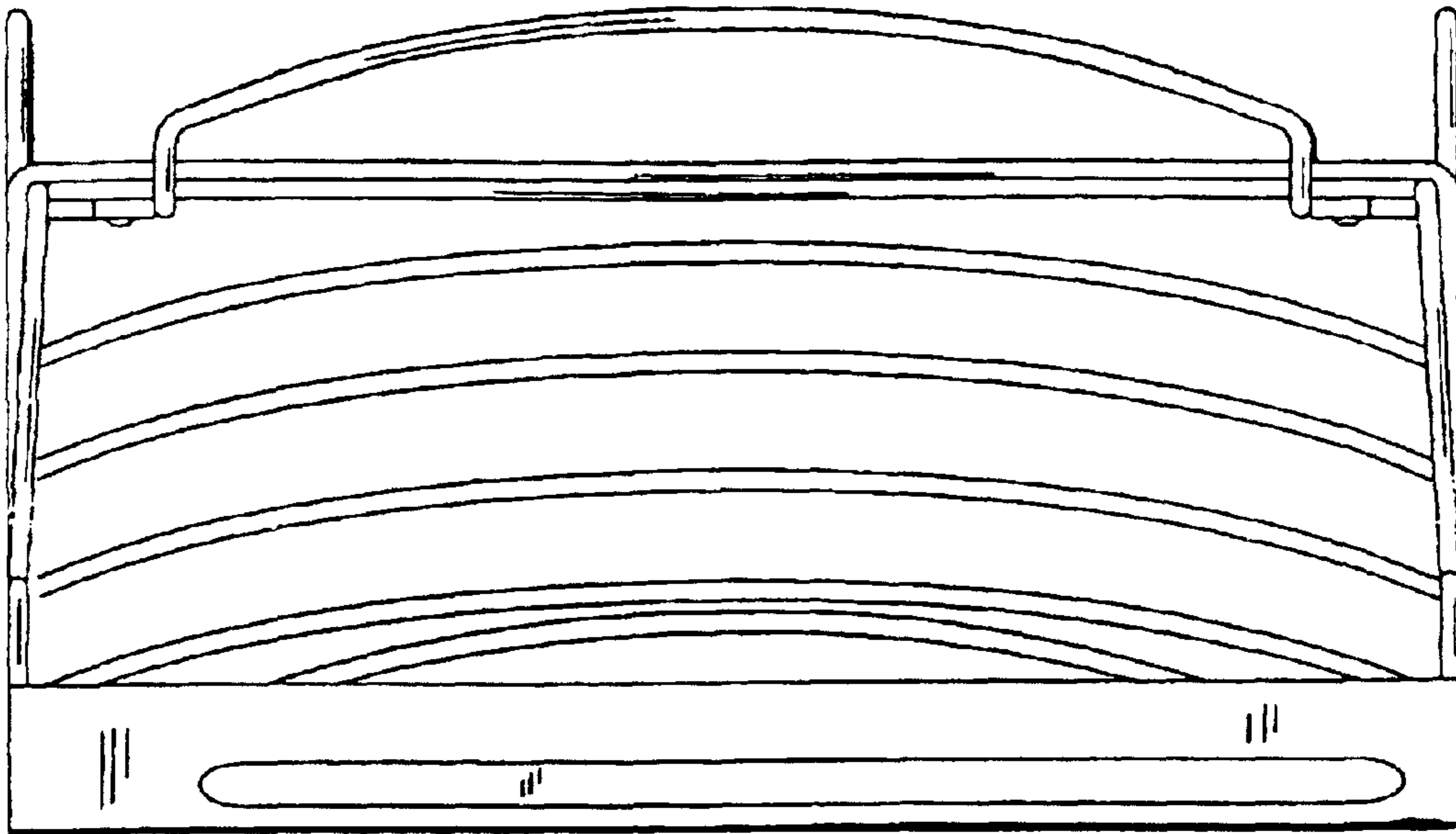


FIG. 5

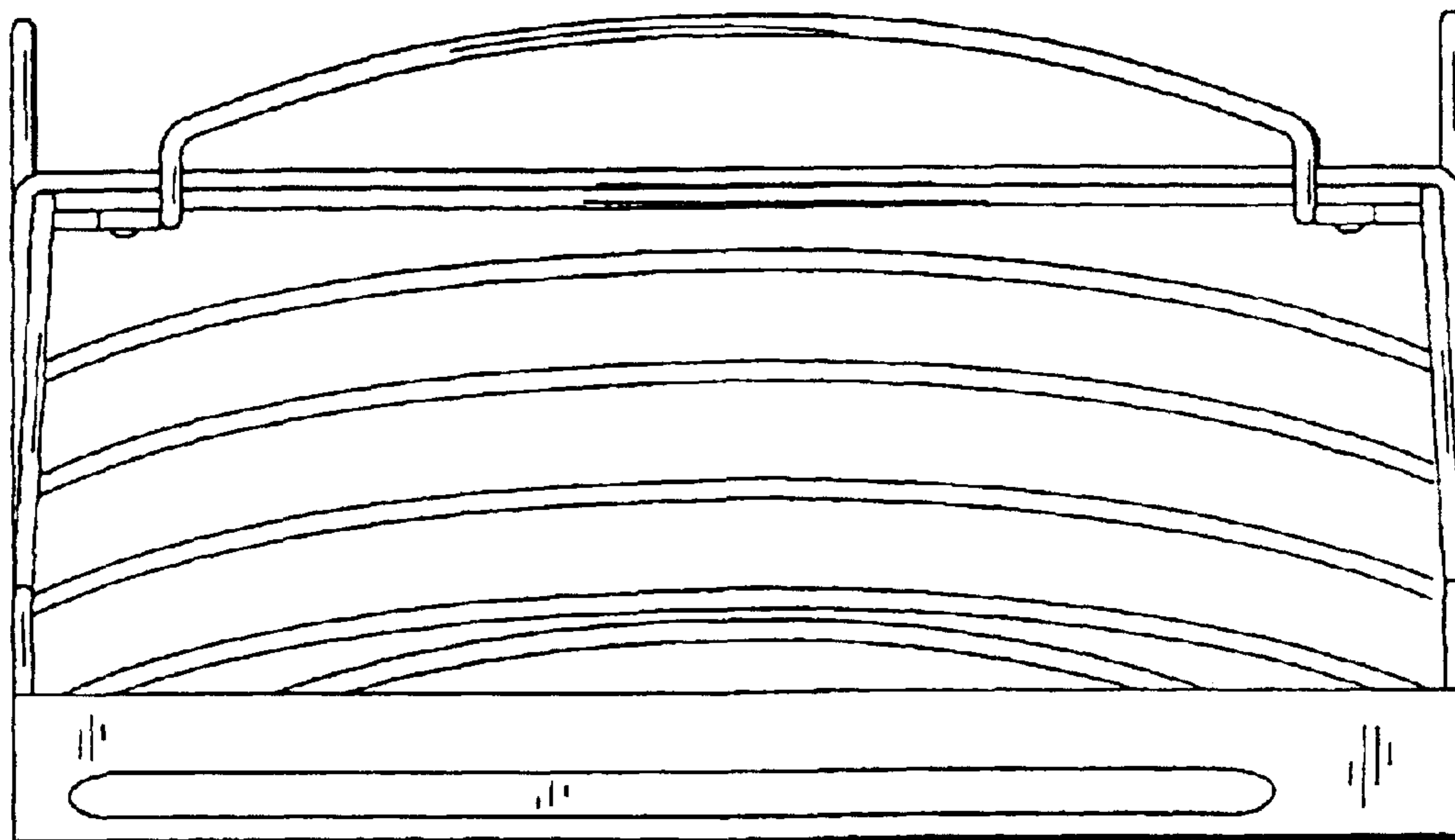


FIG. 6

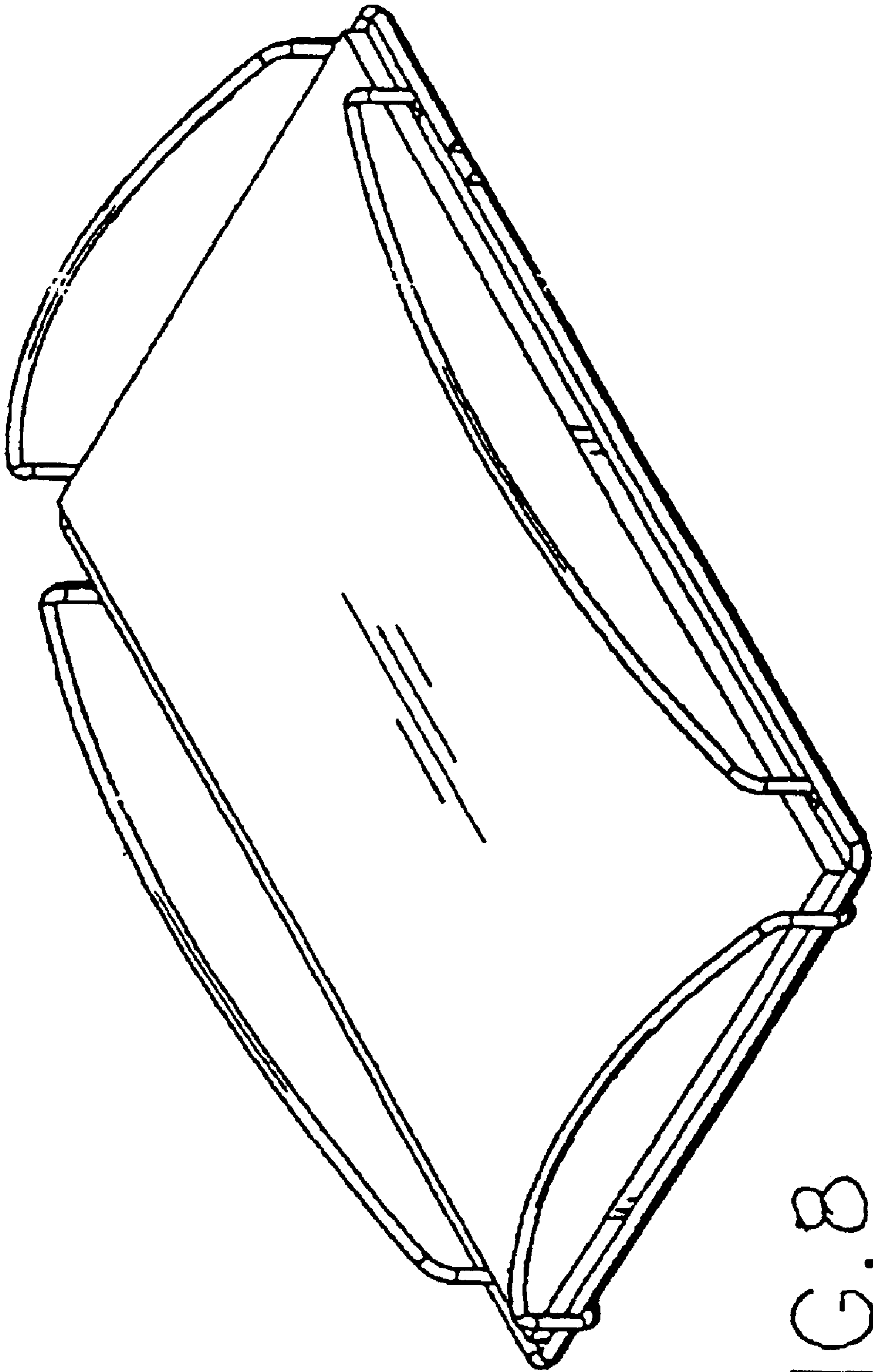


FIG. 8

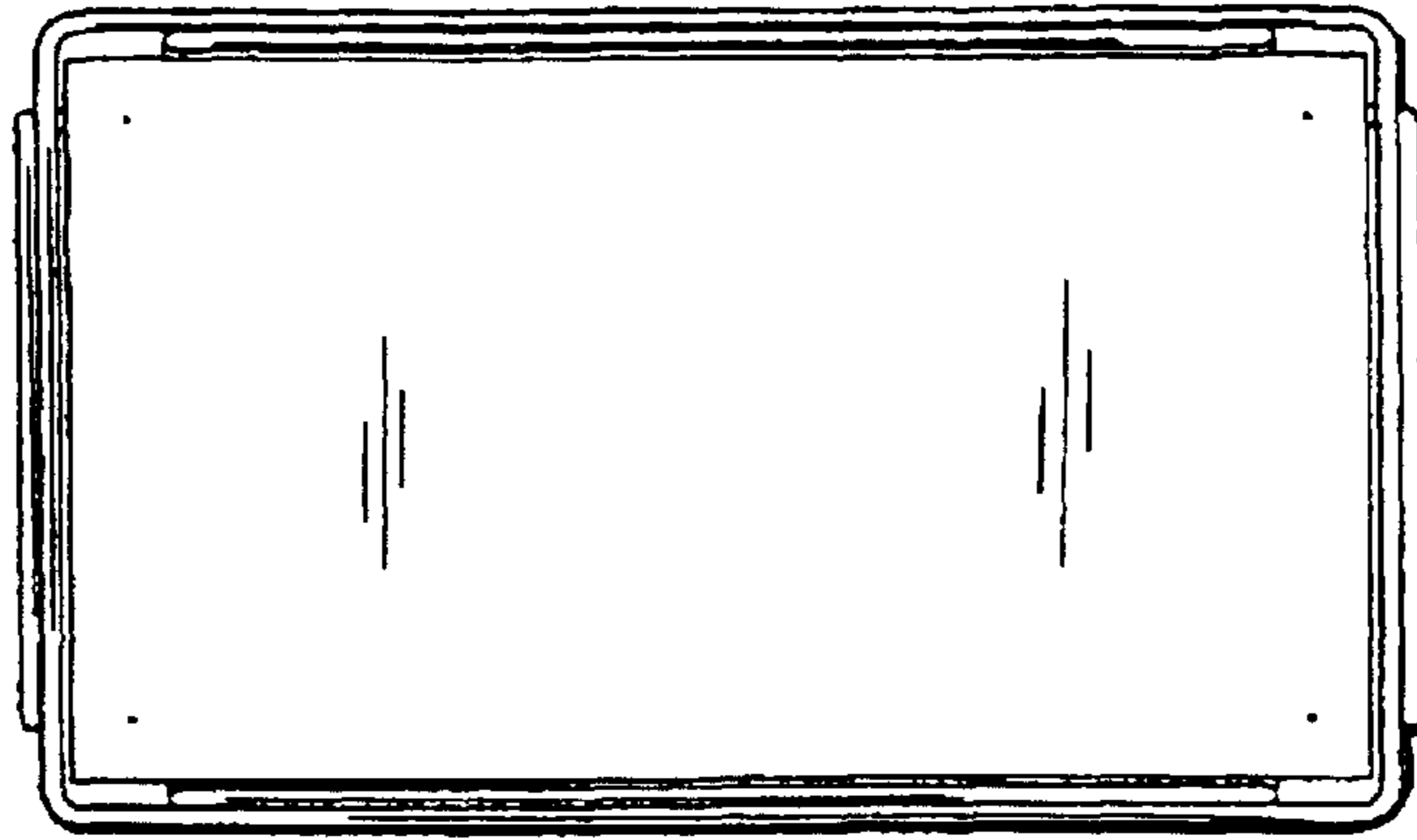


FIG. 9

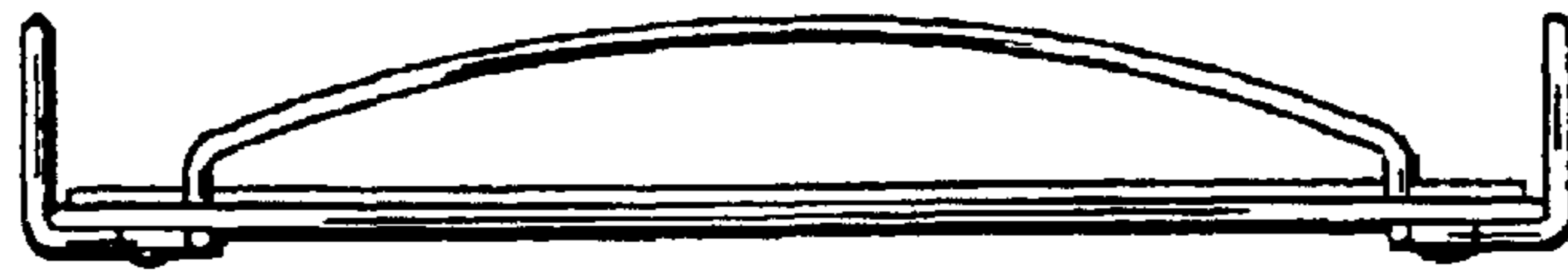


FIG. 10

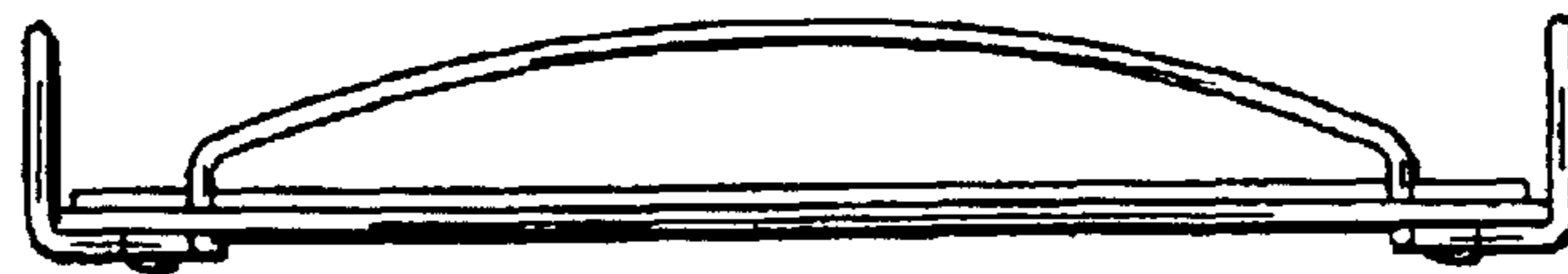


FIG. 11

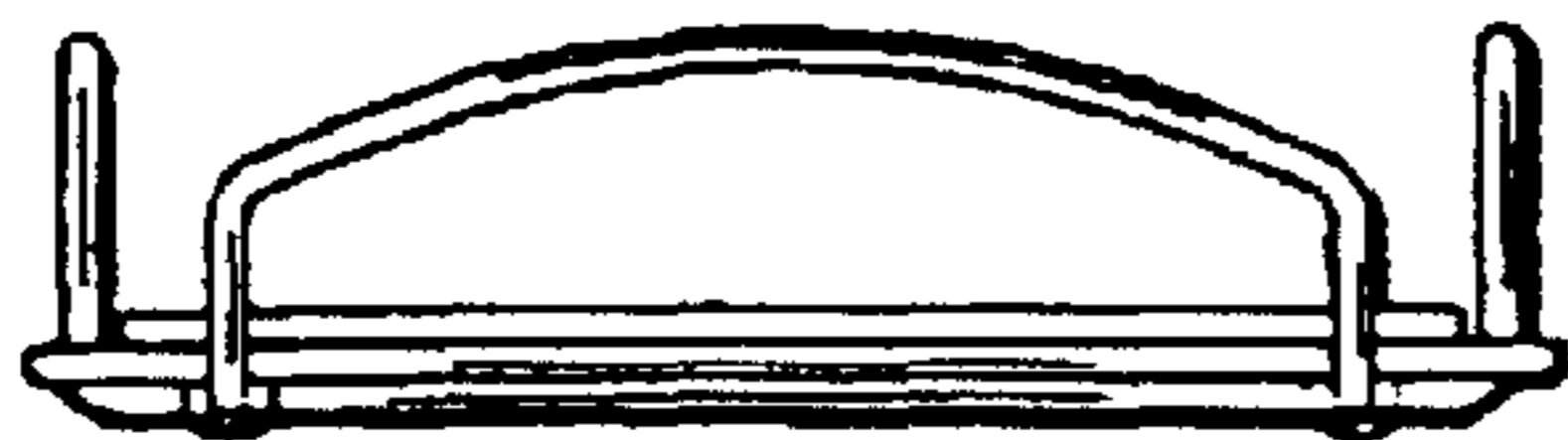


FIG. 12



FIG. 13

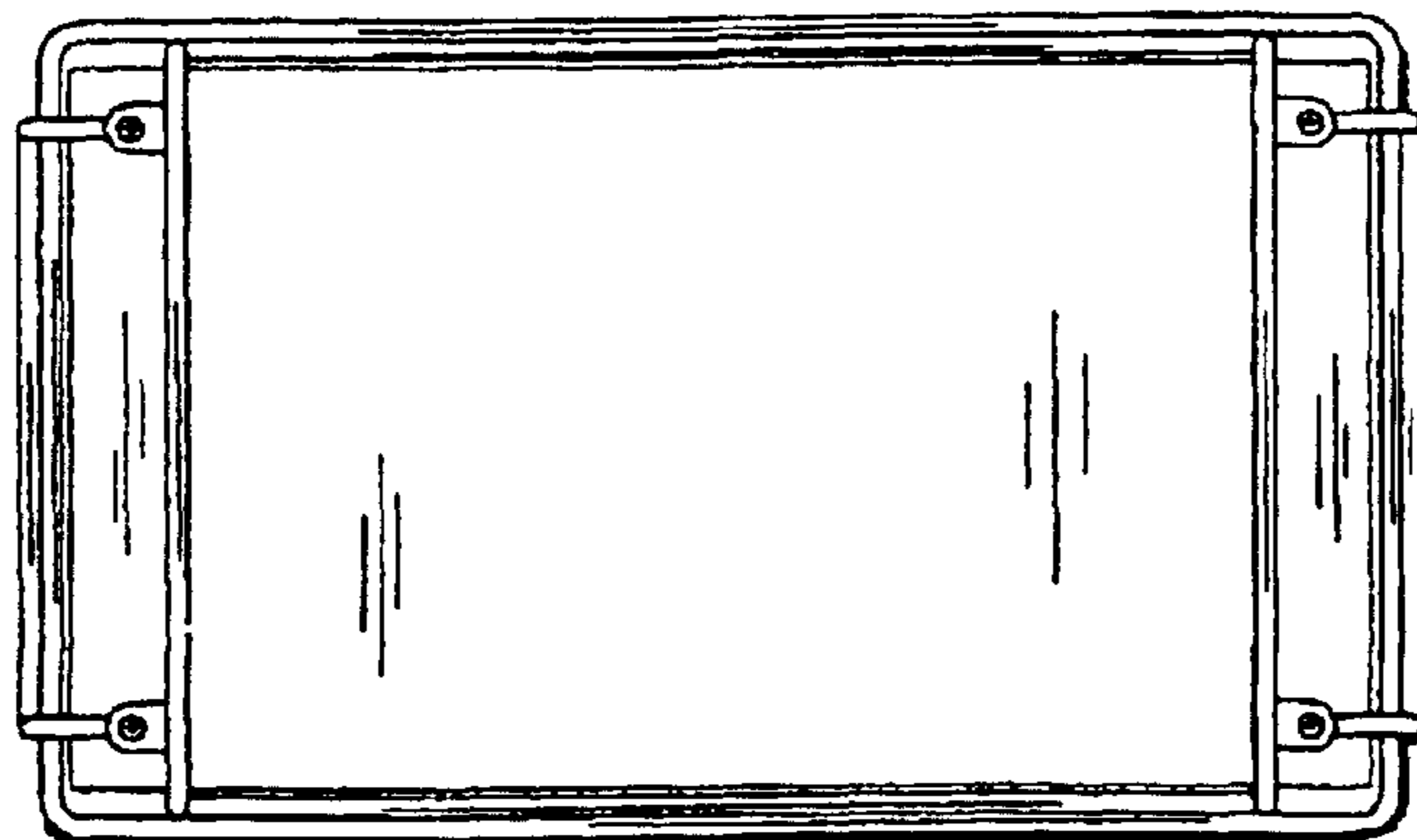


FIG. 14