

US00D494813S1

(12) **United States Design Patent**  
**Nguyen**

(10) **Patent No.:** **US D494,813 S**

(45) **Date of Patent:** **\*\* Aug. 24, 2004**

(54) **MIXER PADDLE REMOVER RETAINER**

D410,495 S \* 6/1999 Wear ..... D19/90

(76) **Inventor:** **Trong Nguyen**, 8109-1 Fruitridge Rd.,  
Sacramento, CA (US) 95820

\* cited by examiner

(\*\*) **Term:** **14 Years**

*Primary Examiner*—Caron D. Veynar

(74) *Attorney, Agent, or Firm*—Mark C. Jacobs

(21) **Appl. No.:** **29/177,879**

(57) **CLAIM**

(22) **Filed:** **Mar. 17, 2003**

The ornamental design for mixer paddle remover retainer, as shown and described.

(51) **LOC (7) Cl.** ..... **31-00**

**DESCRIPTION**

(52) **U.S. Cl.** ..... **D7/412**; D19/90

(58) **Field of Search** ..... D7/323, 376–386,  
D7/368, 387, 412, 637, 213; D19/90; 206/576,  
320, 737

FIG. 1 is a top left perspective view of a mixer paddle remover retainer showing my new design;

FIG. 2 is a front elevational view thereof.

FIG. 3 is a left side elevational view thereof. The right side is a mirror image thereof.

FIG. 4 is a top plan view of this design.

FIG. 5 is a bottom plan view thereof; and,

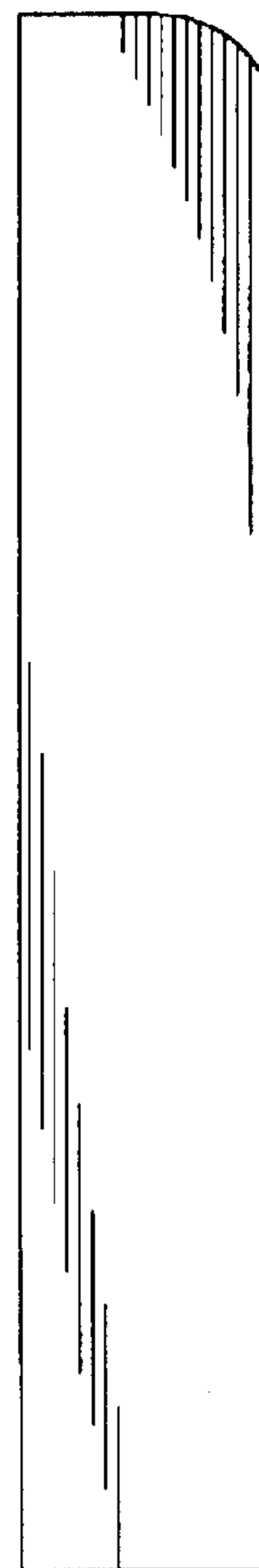
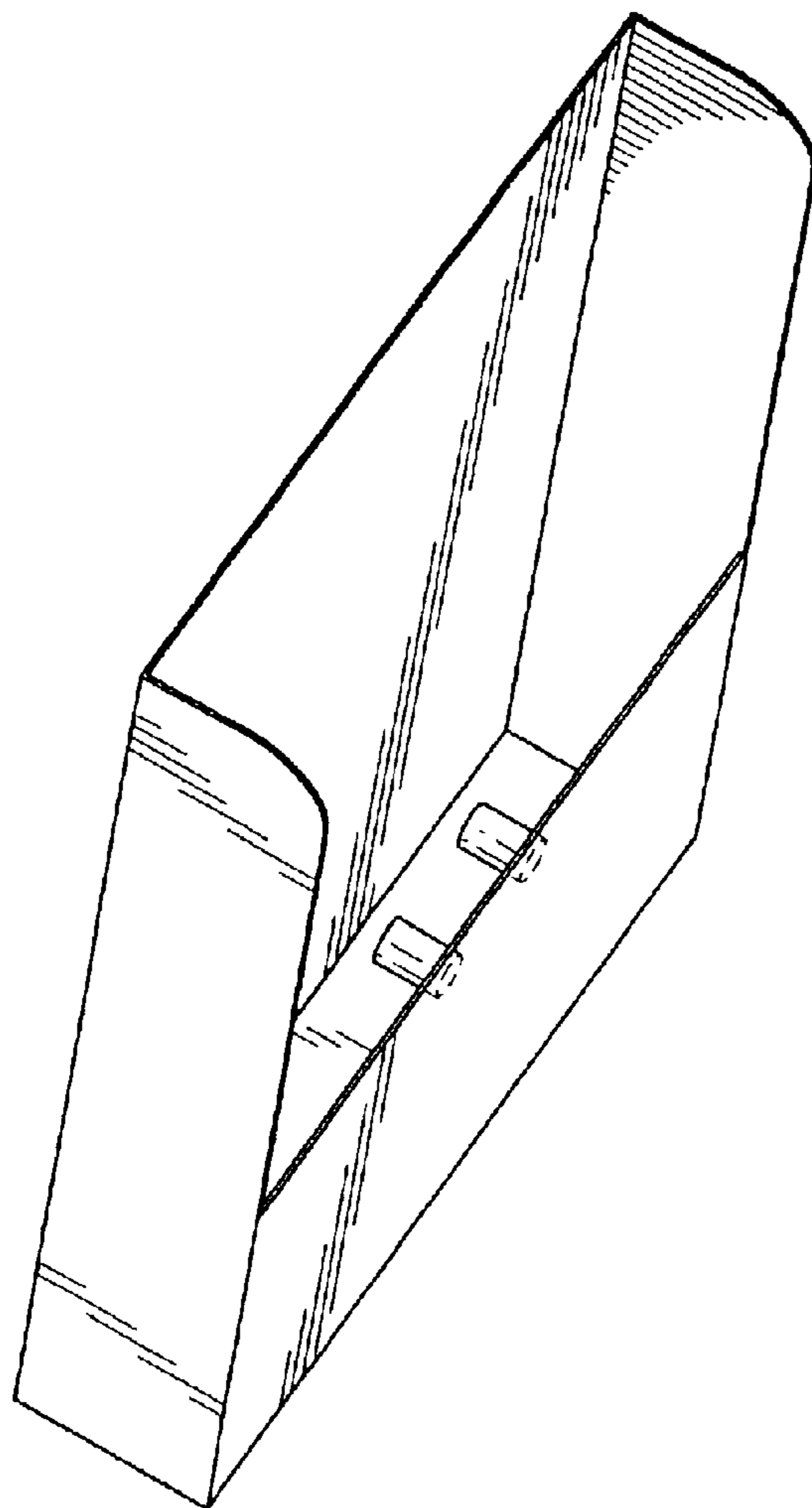
FIG. 6 is a rear elevational view of this design.

(56) **References Cited**

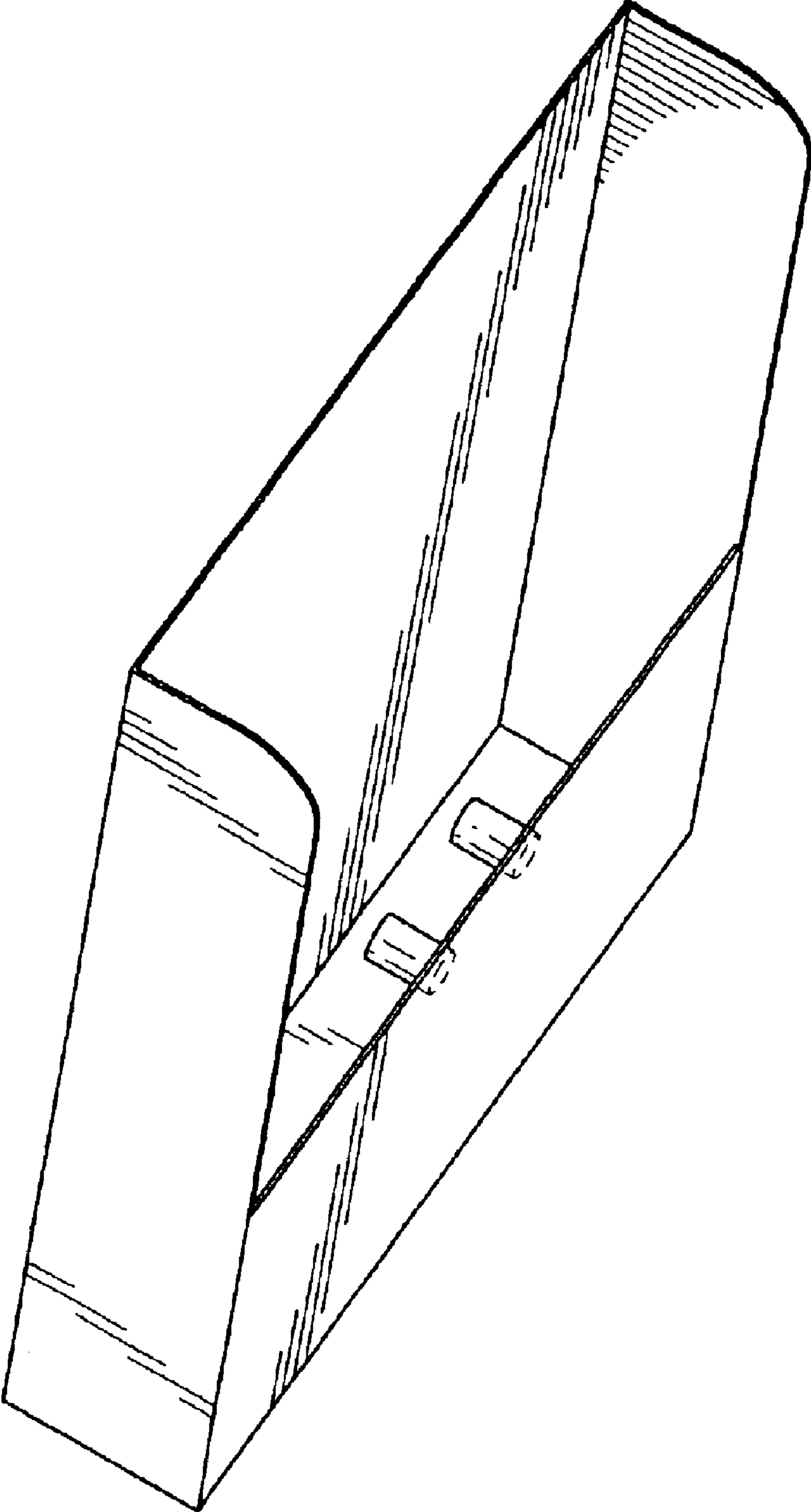
**U.S. PATENT DOCUMENTS**

- 515,353 A \* 2/1894 McIntosh, Sr. .... 206/576
- D35,418 S \* 12/1901 Witt et al. .... D19/90
- D83,127 S \* 1/1931 Roby ..... D19/90
- D321,446 S \* 11/1991 Liptak ..... D19/90

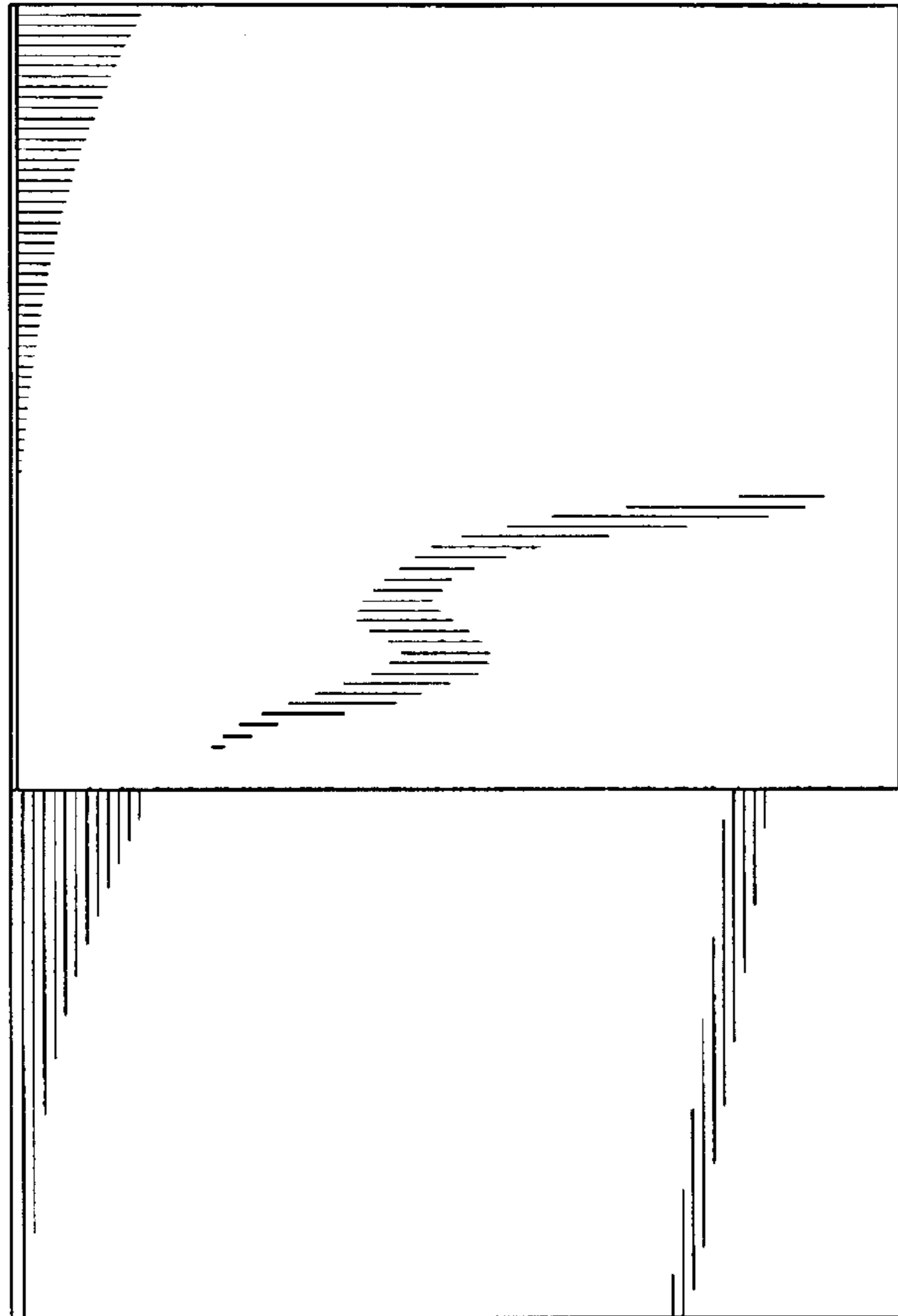
**1 Claim, 3 Drawing Sheets**



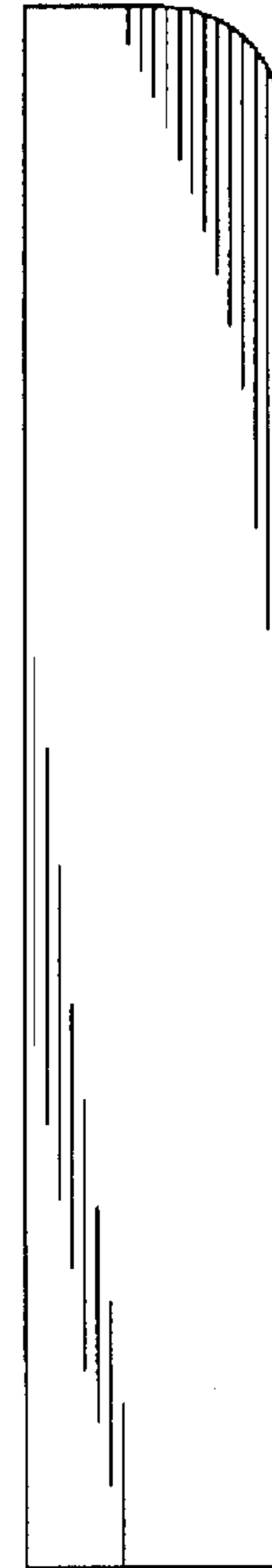
**FIG. 1**



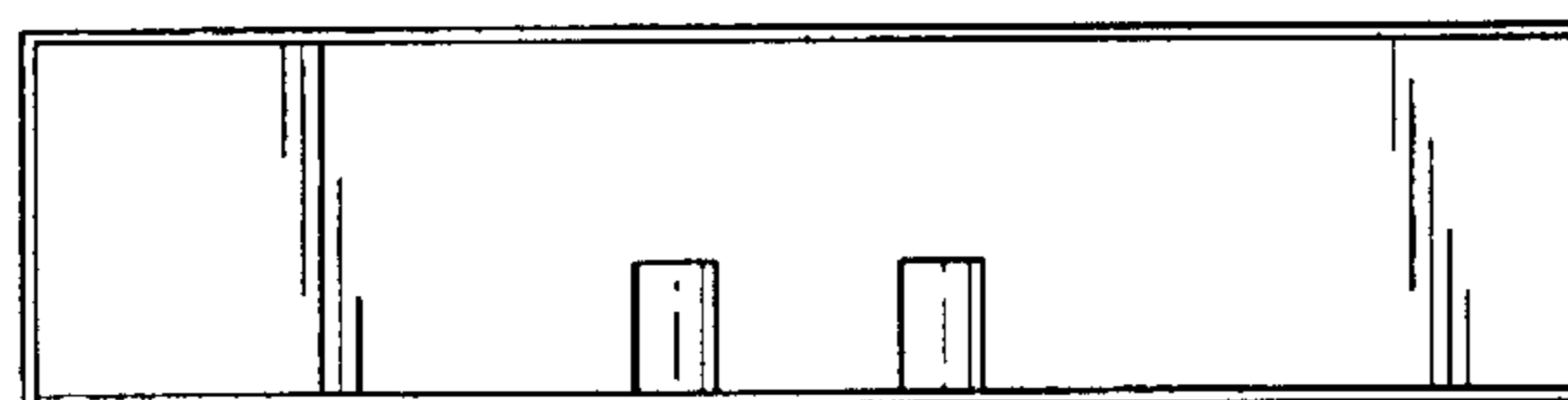
*FIG. 2*



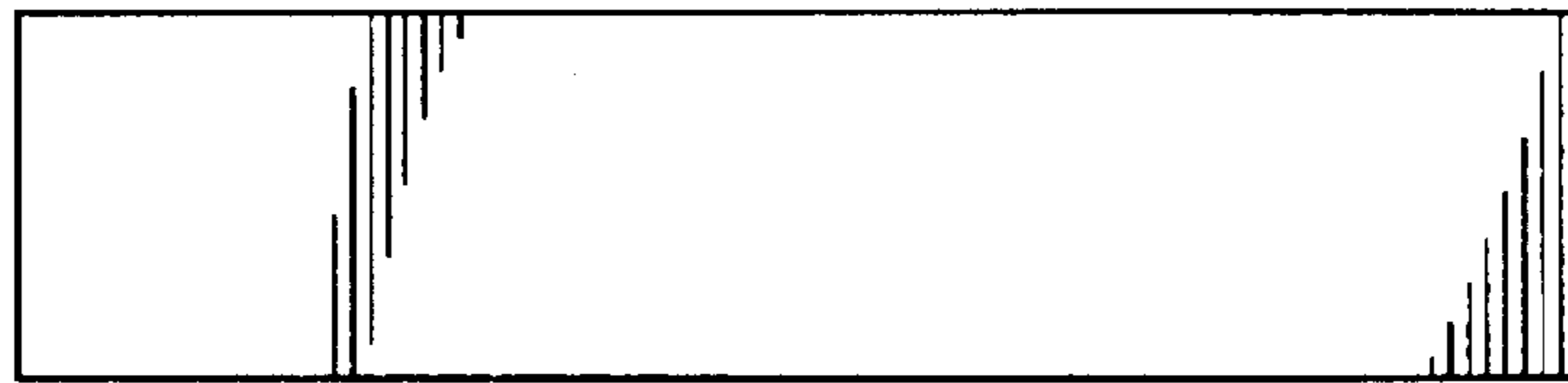
*FIG. 3*



*FIG. 4*



**FIG. 5**



**FIG. 6**

