

US00D494808S1

(12) **United States Design Patent**
Thomkins

(10) **Patent No.:** **US D494,808 S**

(45) **Date of Patent:** **** Aug. 24, 2004**

(54) **POT HANDLE**

(75) **Inventor:** **Nicolas Thomkins, Luzern (CH)**

(73) **Assignee:** **All-Clad Switzerland GmbH,
Eschlikon (CH)**

(**) **Term:** **14 Years**

(21) **Appl. No.:** **29/191,180**

(22) **Filed:** **Oct. 1, 2003**

(51) **LOC (7) Cl. 07-02**

(52) **U.S. Cl. D7/394; D8/317**

(58) **Field of Search** D7/393, 394, 354-361;
D8/306, 317; 16/110.1, 430, 431, 436,
444; 220/573.1-573.5, 752-755, 758, 768,
912

(56) **References Cited**

U.S. PATENT DOCUMENTS

D28,324 S * 3/1898 Pritchard D7/394
D200,953 S * 4/1965 Menezes et al. D8/317

D283,977 S * 5/1986 Kunzler D8/317
D399,406 S * 10/1998 Decursu et al. D8/317
D403,230 S * 12/1998 Ziemer et al. D8/317

* cited by examiner

Primary Examiner—Terry A. Wallace

(74) *Attorney, Agent, or Firm*—Fross Zelnick Lehrman &
Zissu, P.C.; David I. Greenbaum, Esq.

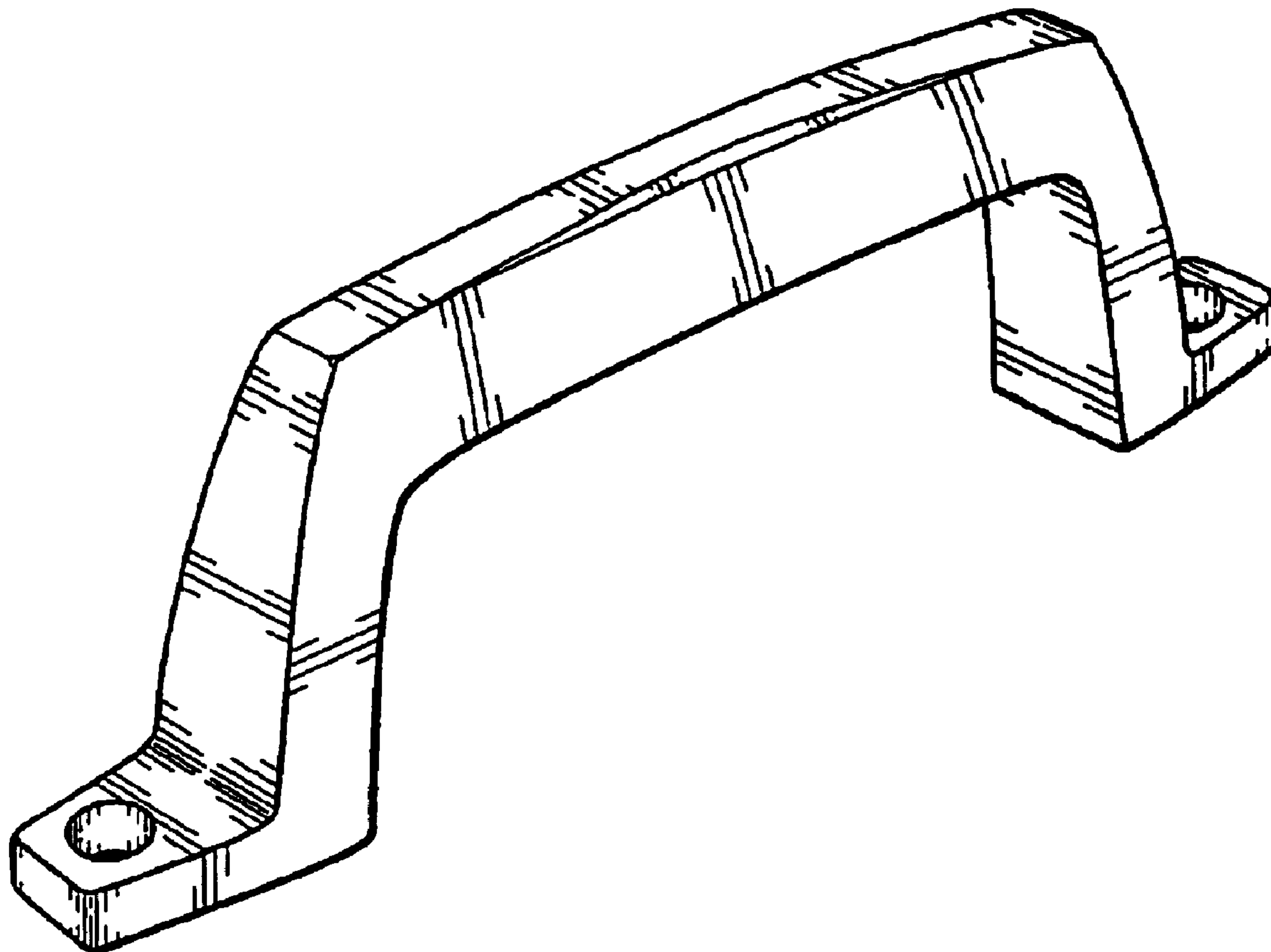
(57) **CLAIM**

The ornamental design for a pot handle, as shown and
described.

DESCRIPTION

FIG. 1 is a perspective view of a pot handle;
FIG. 2 is a front view of the pot handle shown in FIG. 1 the
rear side being identical;
FIG. 3 is a bottom view of the pot handle shown in FIG. 1;
FIG. 4 is a top view of the pot handle shown in FIG. 1; and,
FIG. 5 is a side view of the pot handle shown in FIG. 1, both
side views being identical.

1 Claim, 3 Drawing Sheets



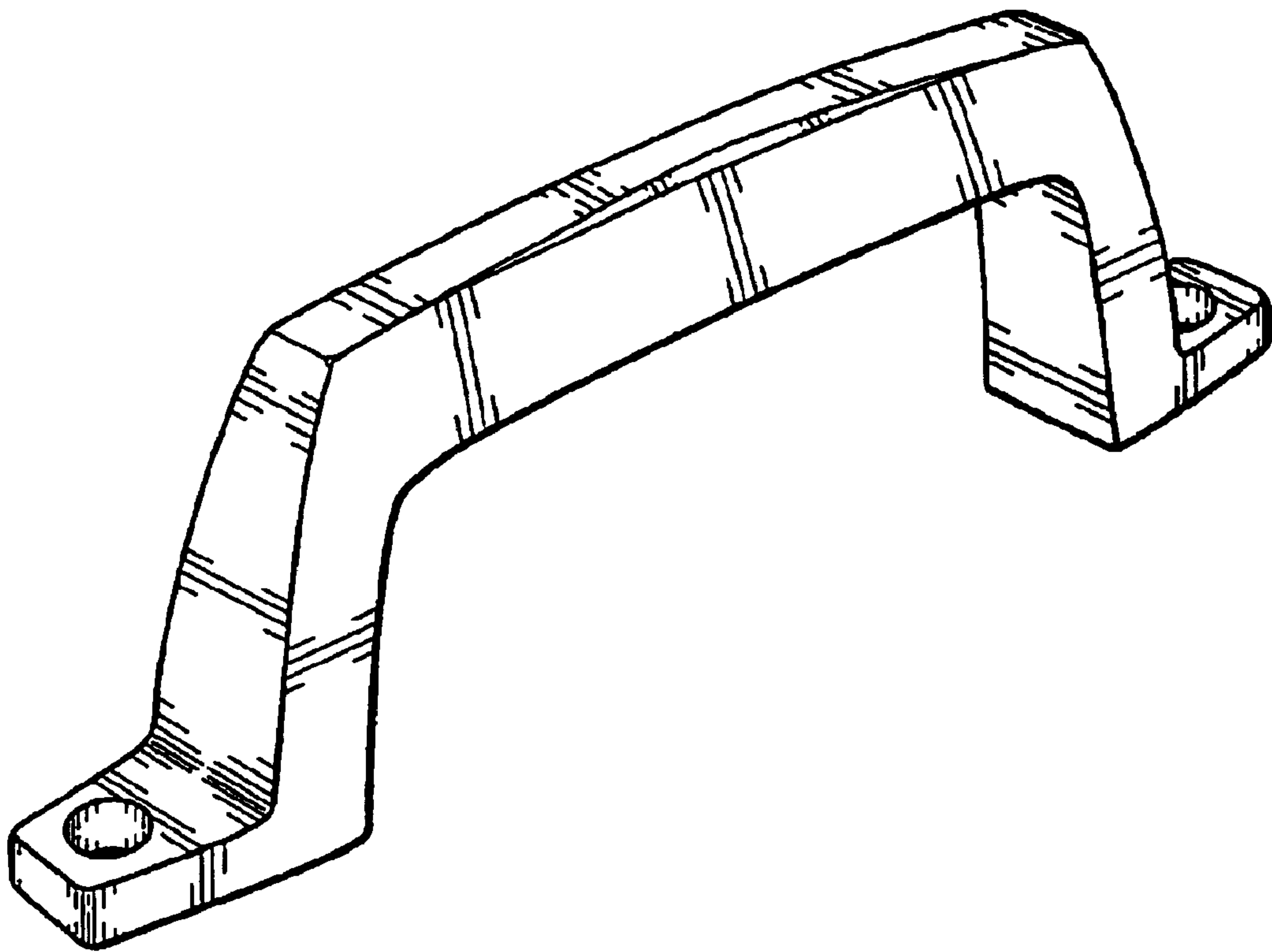


FIG. 1

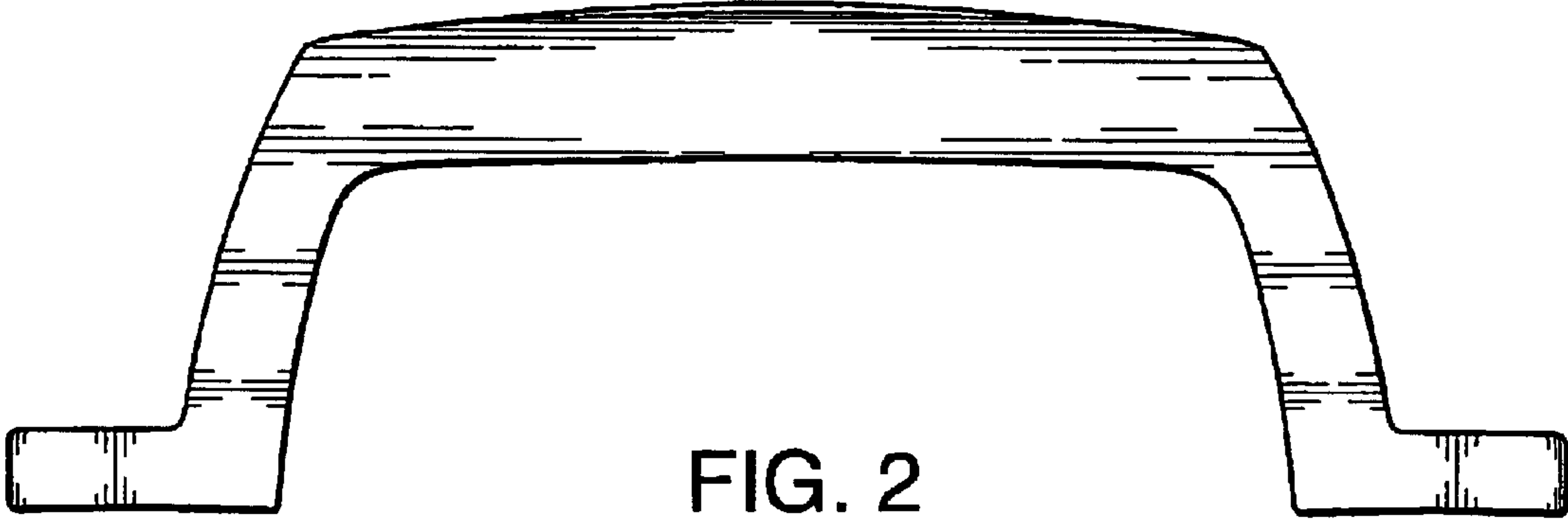


FIG. 2

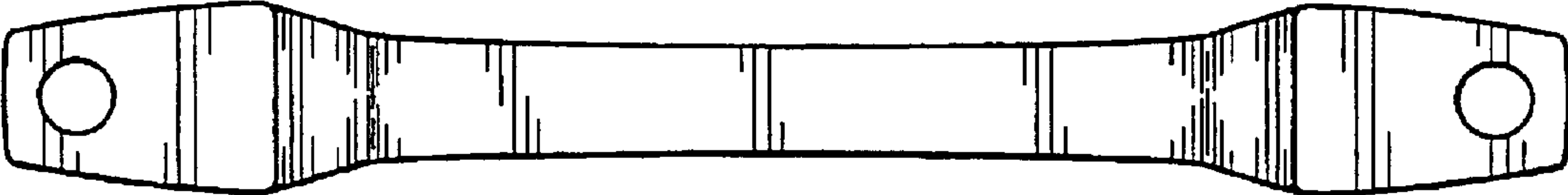


FIG. 3

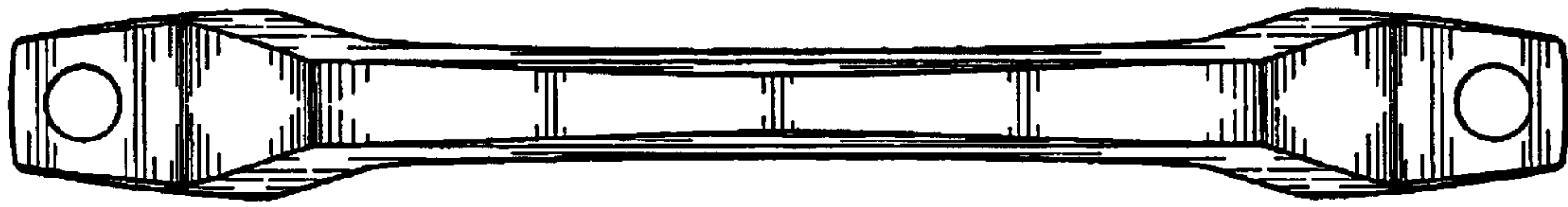


FIG. 4

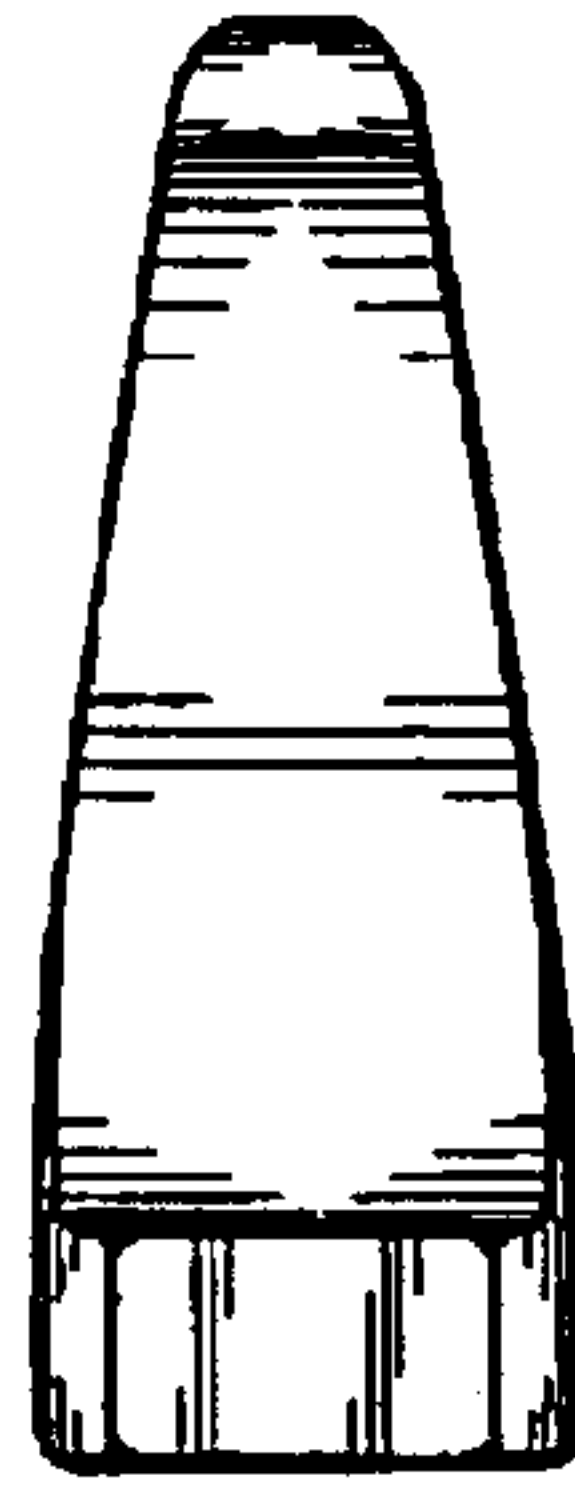


FIG. 5