

US00D494803S1

(12) **United States Design Patent**
Bodum

(10) **Patent No.:** **US D494,803 S**

(45) **Date of Patent:** **** Aug. 24, 2004**

(54) **COFFEE MAKER 8 CUP**

(75) **Inventor:** **Jørgen Bodum, St. Niklausen (CH)**

(73) **Assignee:** **PI-Design AG, Triengen (CH)**

(**) **Term:** **14 Years**

(21) **Appl. No.:** **29/169,403**

(22) **Filed:** **Oct. 21, 2002**

(30) **Foreign Application Priority Data**

Apr. 25, 2002 (DK) DA 2002 00338

(51) **LOC (7) Cl.** **07-01**

(52) **U.S. Cl.** **D7/319; D7/317**

(58) **Field of Search** D7/312, 316, 317,
D7/318, 319, 511, 300, 321, 598, 413,
300.1; 220/504, 574, 755; 215/398; 222/146.6,
465.1, 566; D23/209; 99/279; D10/46.3

(56) **References Cited**

U.S. PATENT DOCUMENTS

D200,487 S	*	3/1965	Dann, Jr. et al.	D7/317
D215,227 S	*	9/1969	Beckman	D7/317
D285,520 S	*	9/1986	Ferm et al.	D7/321
D286,254 S	*	10/1986	Zimmerman	D7/317
D287,805 S	*	1/1987	Zimmermann	D7/317
D288,654 S	*	3/1987	Nusse	D7/317
4,667,583 A	*	5/1987	Tarozzi	99/279
D292,162 S	*	10/1987	Zimmermann	D7/317

D297,900 S	*	10/1988	Huang	D7/317
D319,753 S	*	9/1991	Unger	D7/319
D321,623 S	*	11/1991	Sun	D7/317
D322,005 S	*	12/1991	Cliff	D7/317
D328,546 S	*	8/1992	Unger	D7/317
D364,990 S	*	12/1995	Fonville	D7/317
D478,766 S	*	8/2003	Questelles	D7/321

* cited by examiner

Primary Examiner—M. N. Pandozzi

(74) *Attorney, Agent, or Firm*—Nath & Associates PLLC;
Marvin C. Berkowitz

(57) **CLAIM**

The ornamental design for a coffee maker 8 cup, as shown and described.

DESCRIPTION

FIG. 1 is an oblique perspective view of the coffee maker 8 cup;
FIG. 2 is a front view of the coffee maker 8 cup, as shown in FIG. 1;
FIG. 3 is a back side view of the coffee maker 8 cup;
FIG. 4 is a right side view of the coffee maker 8 cup;
FIG. 5 is a left side view of the coffee maker 8 cup;
FIG. 6 is a top view of the coffee maker 8 cup;
FIG. 7 is a bottom view of the coffee maker 8 cup; and,
FIG. 8 is a sectional view thereof taken along line 8—8 of FIG. 2.

1 Claim, 8 Drawing Sheets

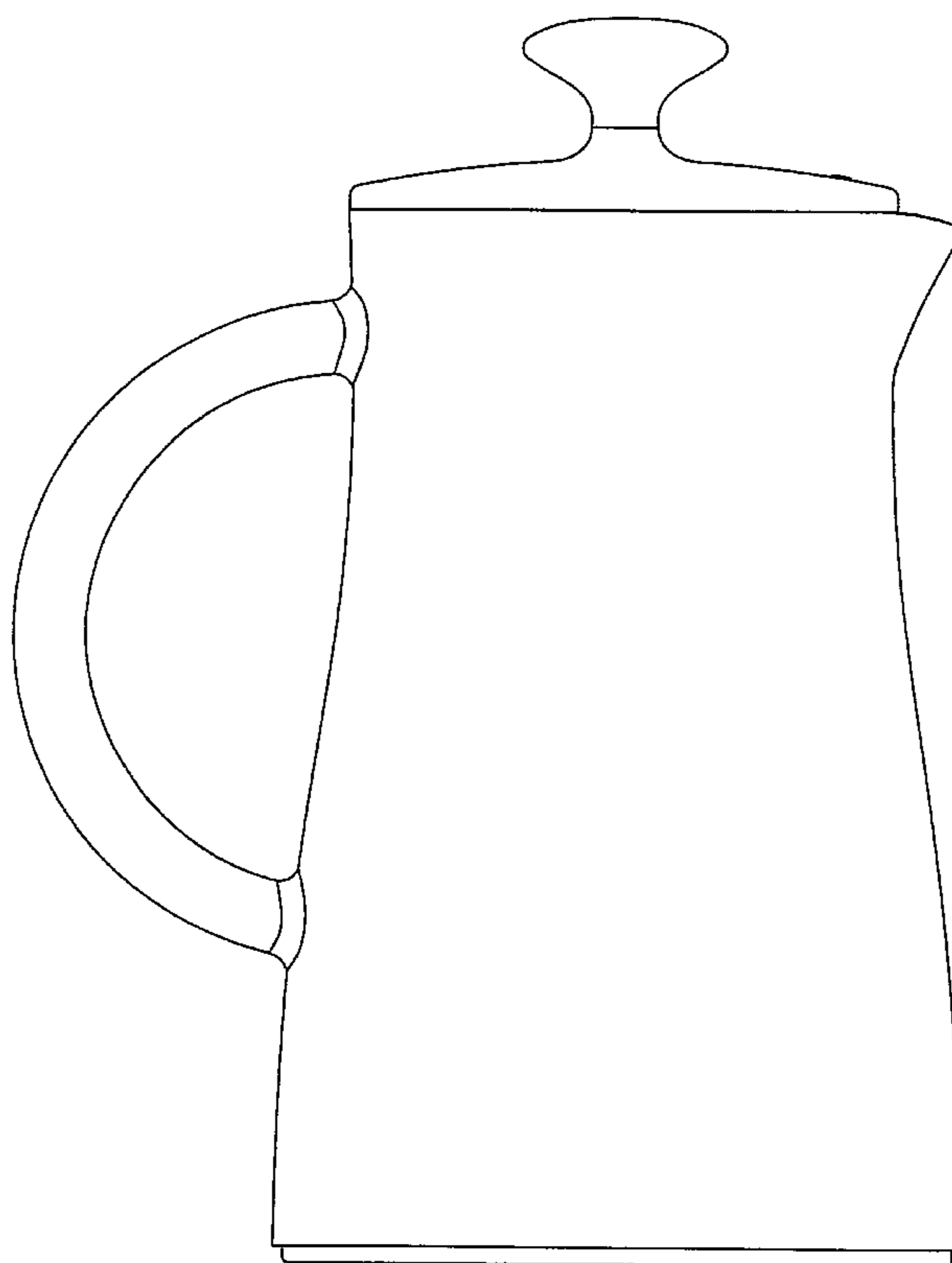




Fig. 1

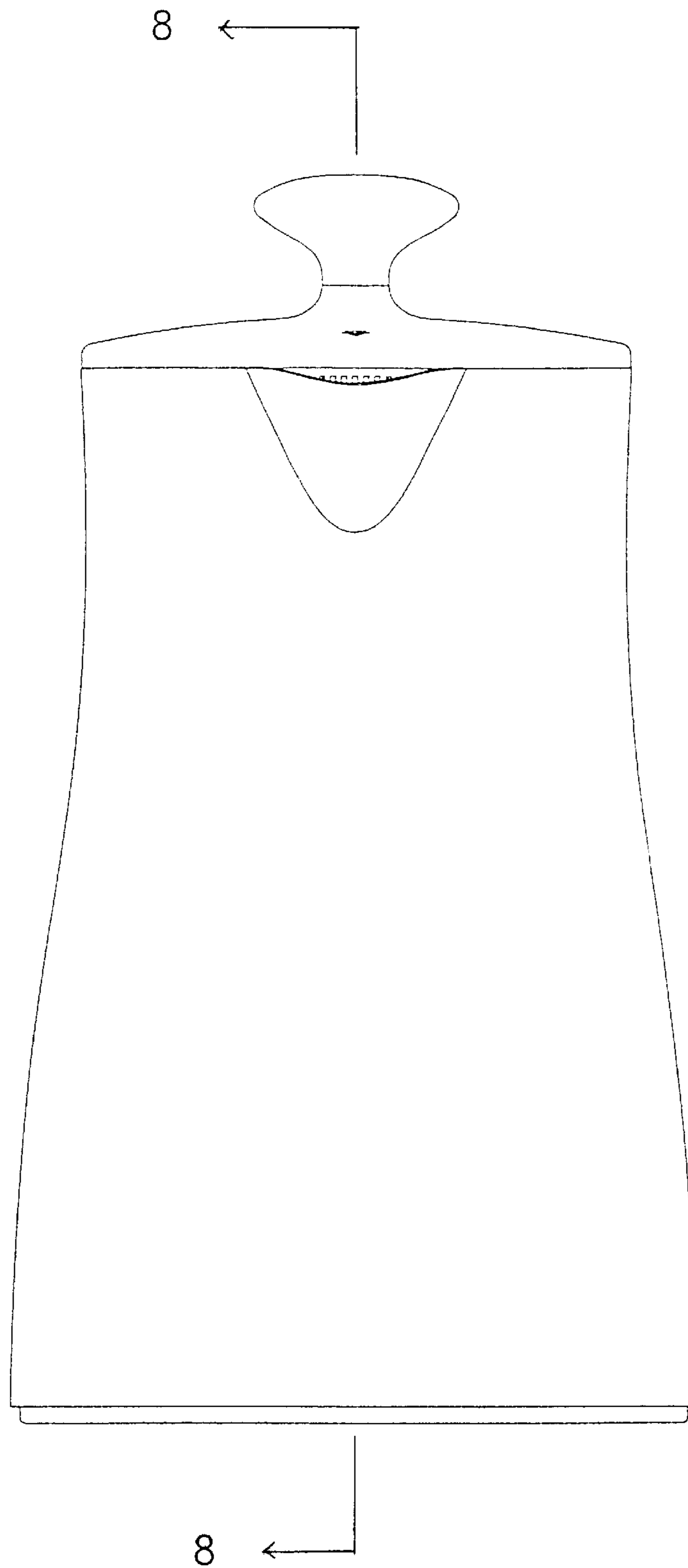


Fig. 2

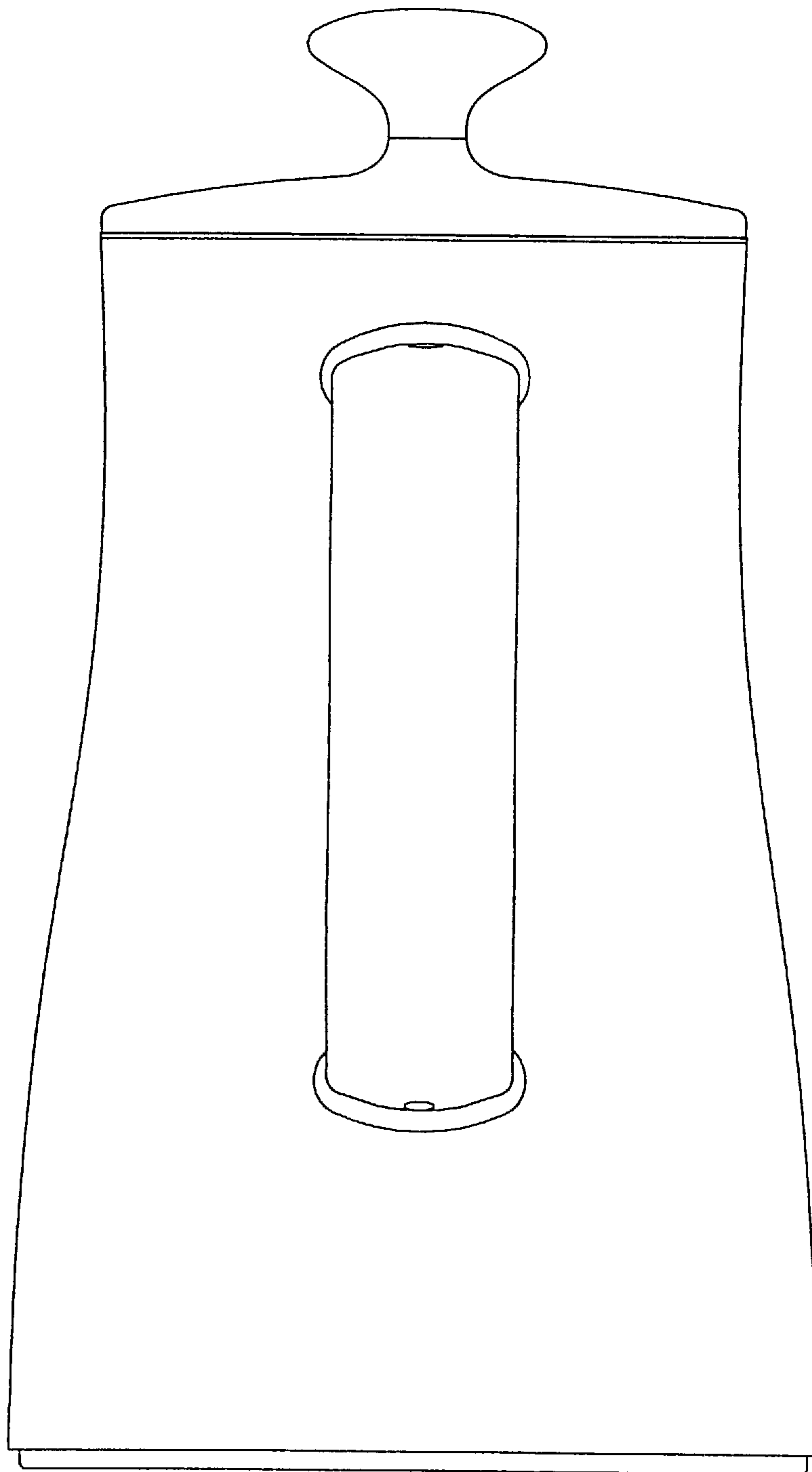


Fig. 3

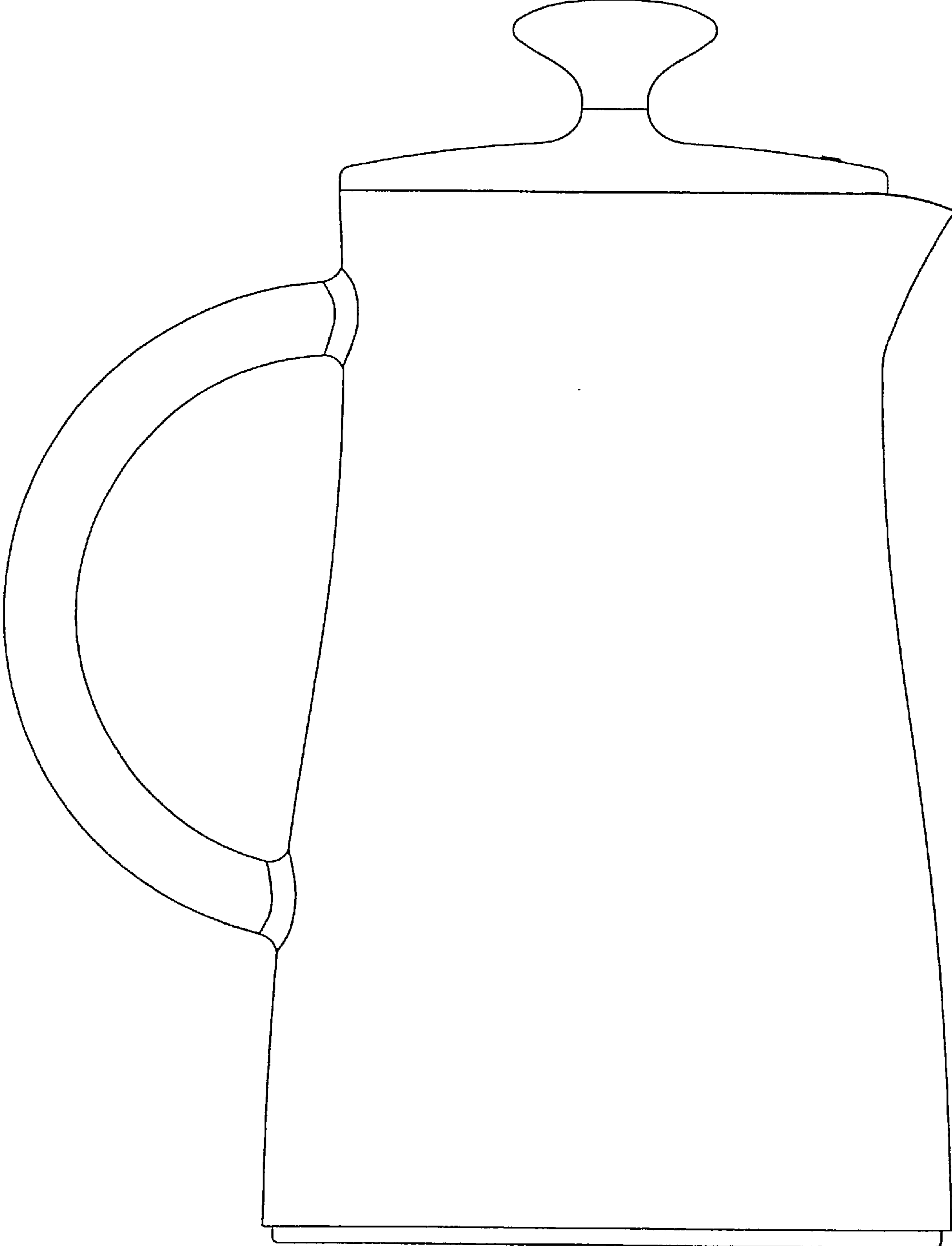


Fig. 4

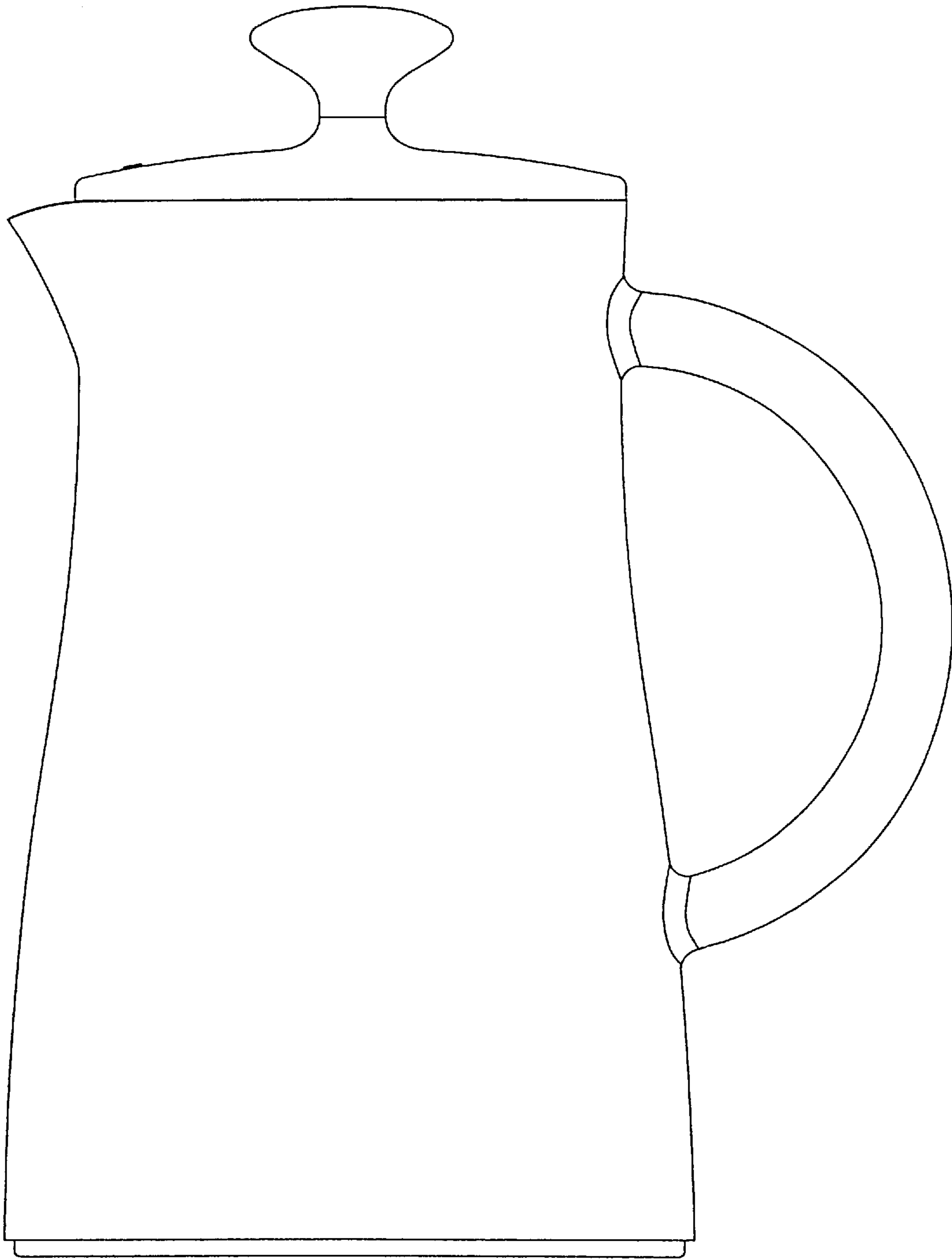


Fig. 5

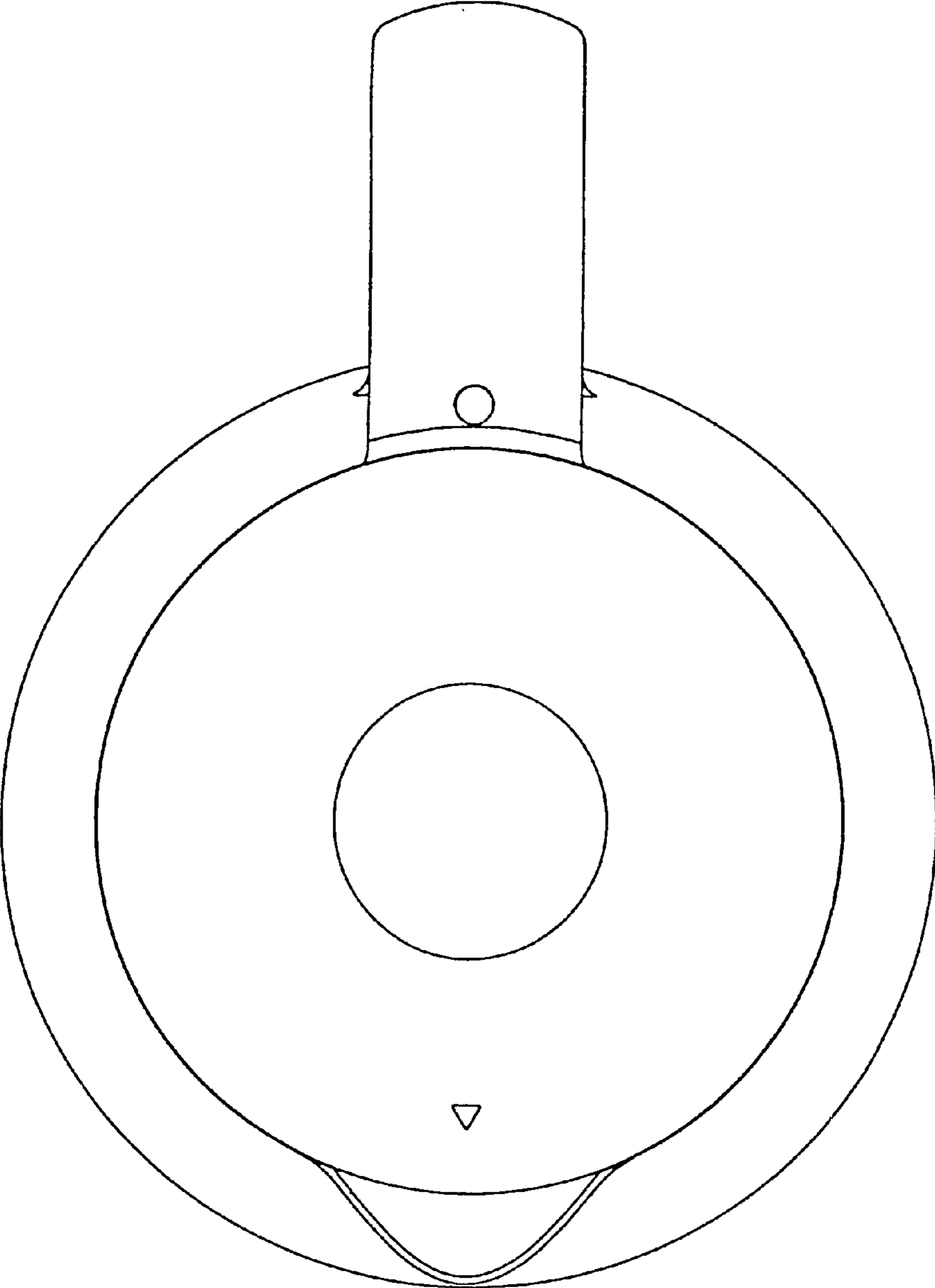


Fig. 6

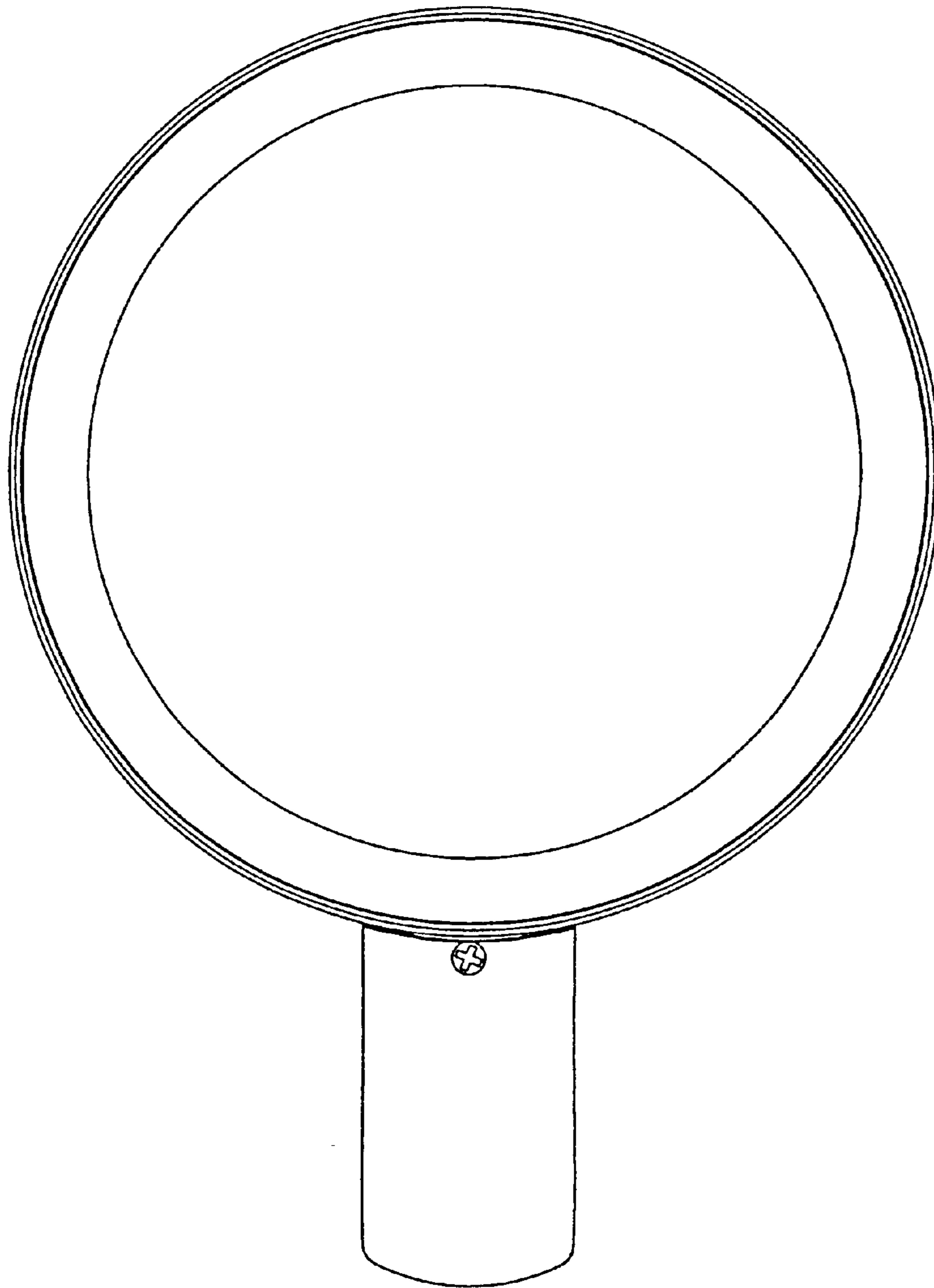


Fig. 7

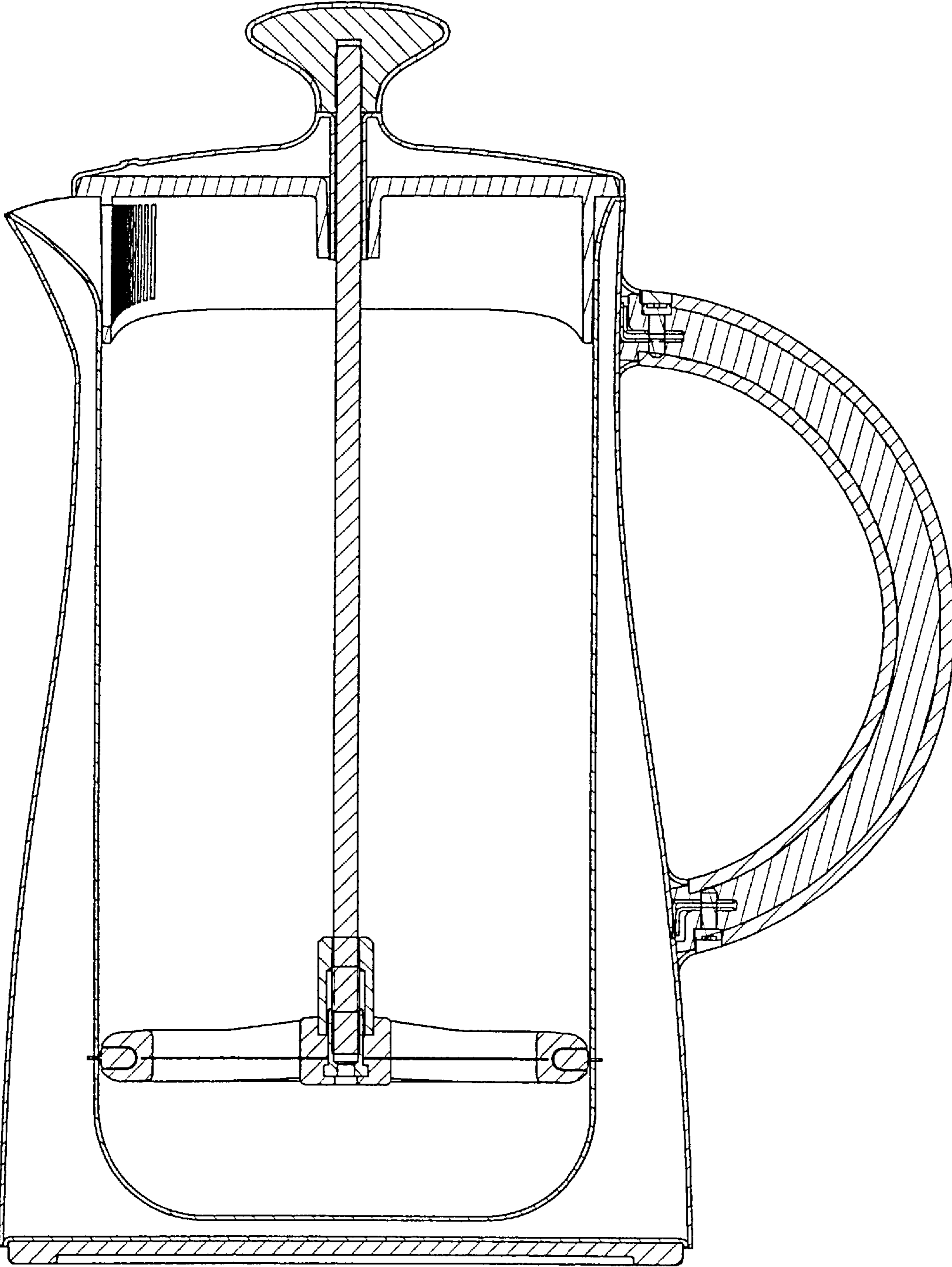


Fig. 8