

US00D494801S1

(12) **United States Design Patent**
Lee

(10) **Patent No.: US D494,801 S**

(45) **Date of Patent: ** Aug. 24, 2004**

(54) **TRIMABLE HEADRAIL INSERT**

D443,168 S * 6/2001 Horsten D6/580

(76) Inventor: **Han-Sen Lee**, 98-1, Show-Tsuo St.,
Show-Tsuo Village, Fu-Hsing Hsiang,
Chang-Hwa Hsien (TW)

* cited by examiner

Primary Examiner—Robin V. Taylor

(74) *Attorney, Agent, or Firm*—Curtis L. Harrington

(**) Term: **14 Years**

(57) **CLAIM**

(21) Appl. No.: **29/170,467**

The ornamental design for a trimable headrail insert, as shown and described.

(22) Filed: **Nov. 5, 2002**

DESCRIPTION

(51) **LOC (7) Cl.** **06-10**

(52) **U.S. Cl.** **D6/580**

(58) **Field of Search** D6/578–580; D25/119;
160/19, 38, 168.1 V, 178.1 R, 178.1 V

FIG. 1 is a perspective view closest to the insertable end of the trimable headrail insert;

FIG. 2 is a front view;

FIG. 3 is rear view illustrating of the trimable end;

FIG. 4 is a right side view, the left side view being a mirror image of the right side view;

FIG. 5 is a top view; and,

FIG. 6 is a bottom view.

(56) **References Cited**

U.S. PATENT DOCUMENTS

D294,321 S * 2/1988 Olofsson D6/580

D325,681 S * 4/1992 Gartenmaier D6/580

D376,855 S * 12/1996 Leung D25/124

1 Claim, 2 Drawing Sheets

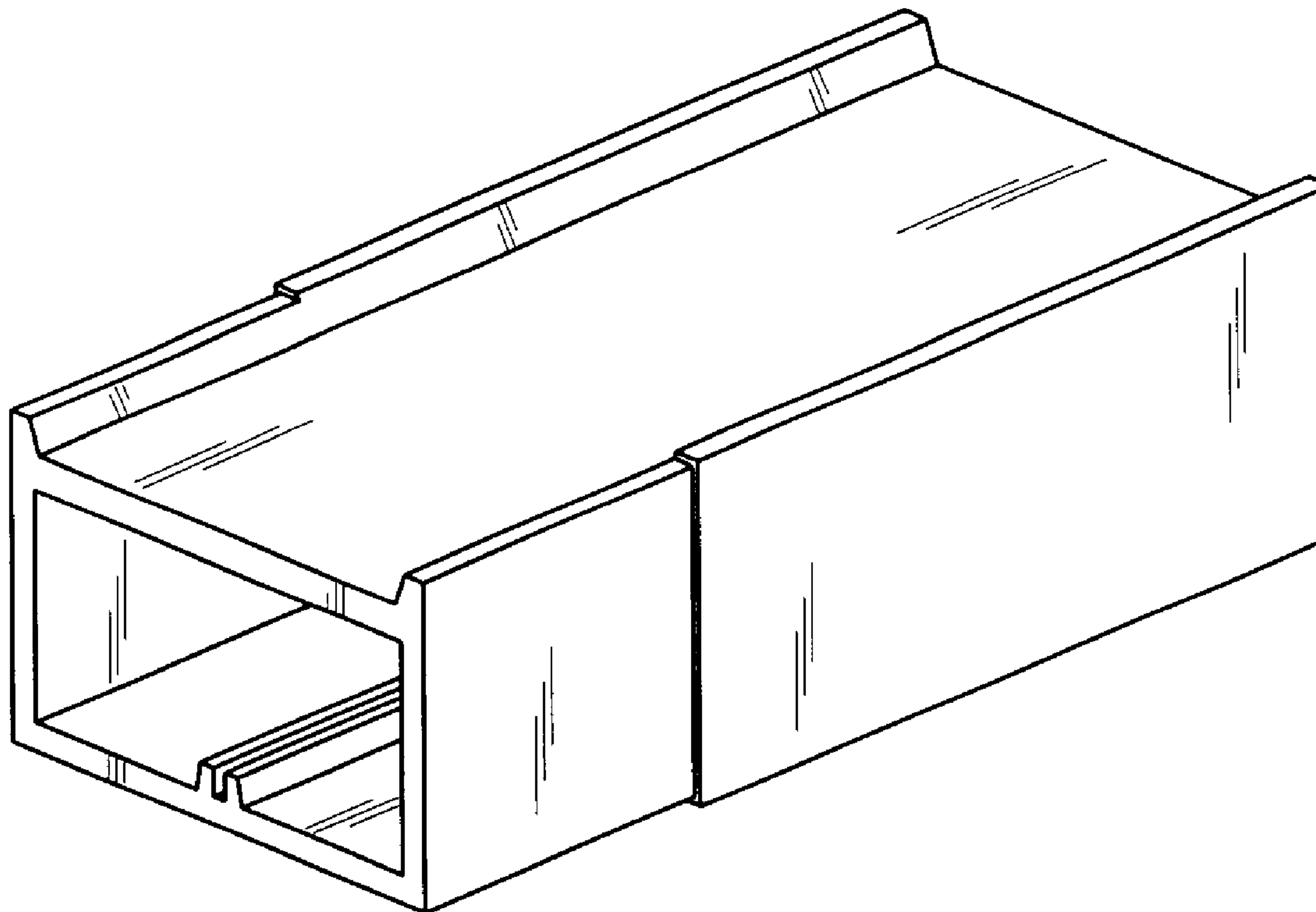


Fig. 1

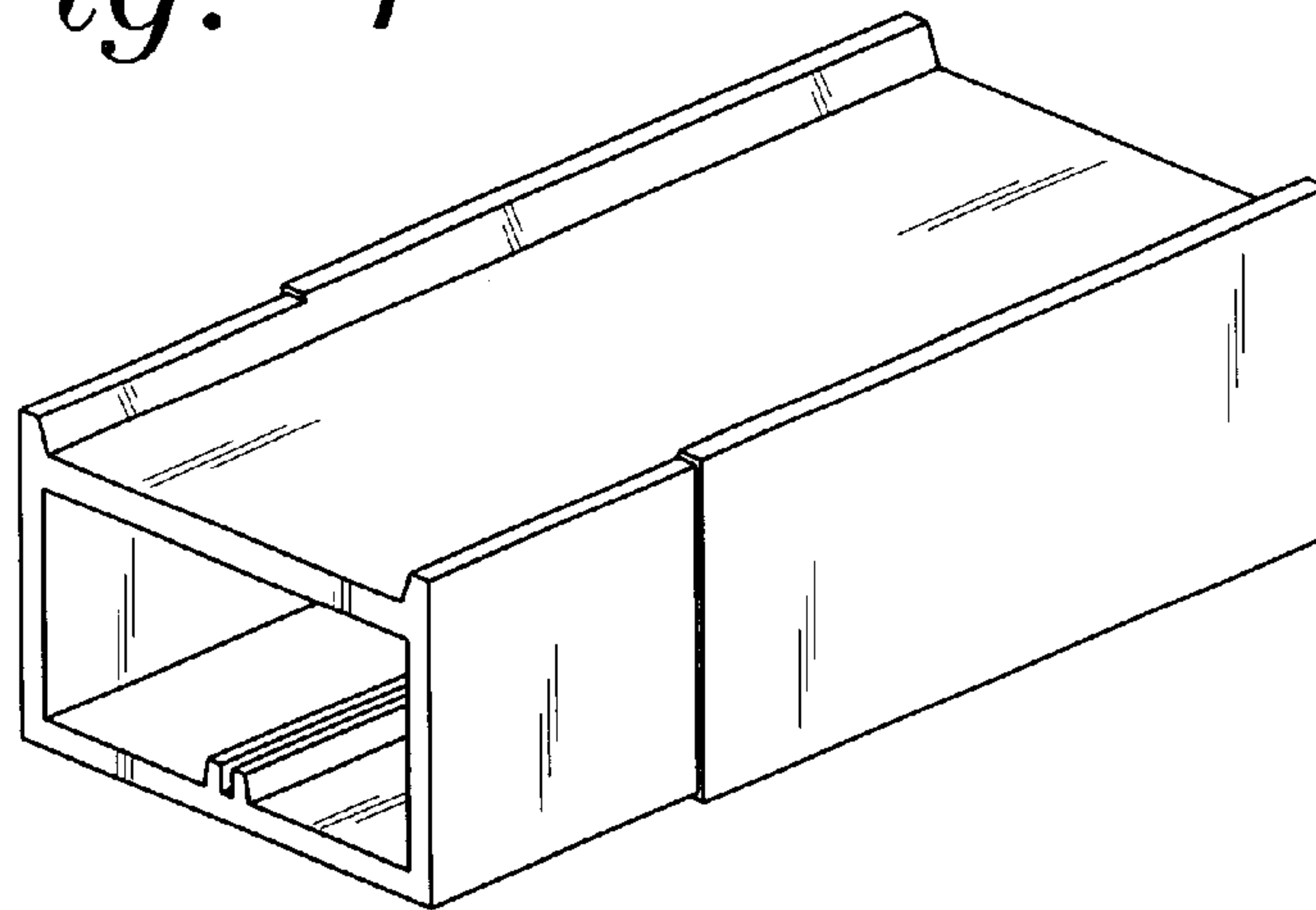


Fig. 2

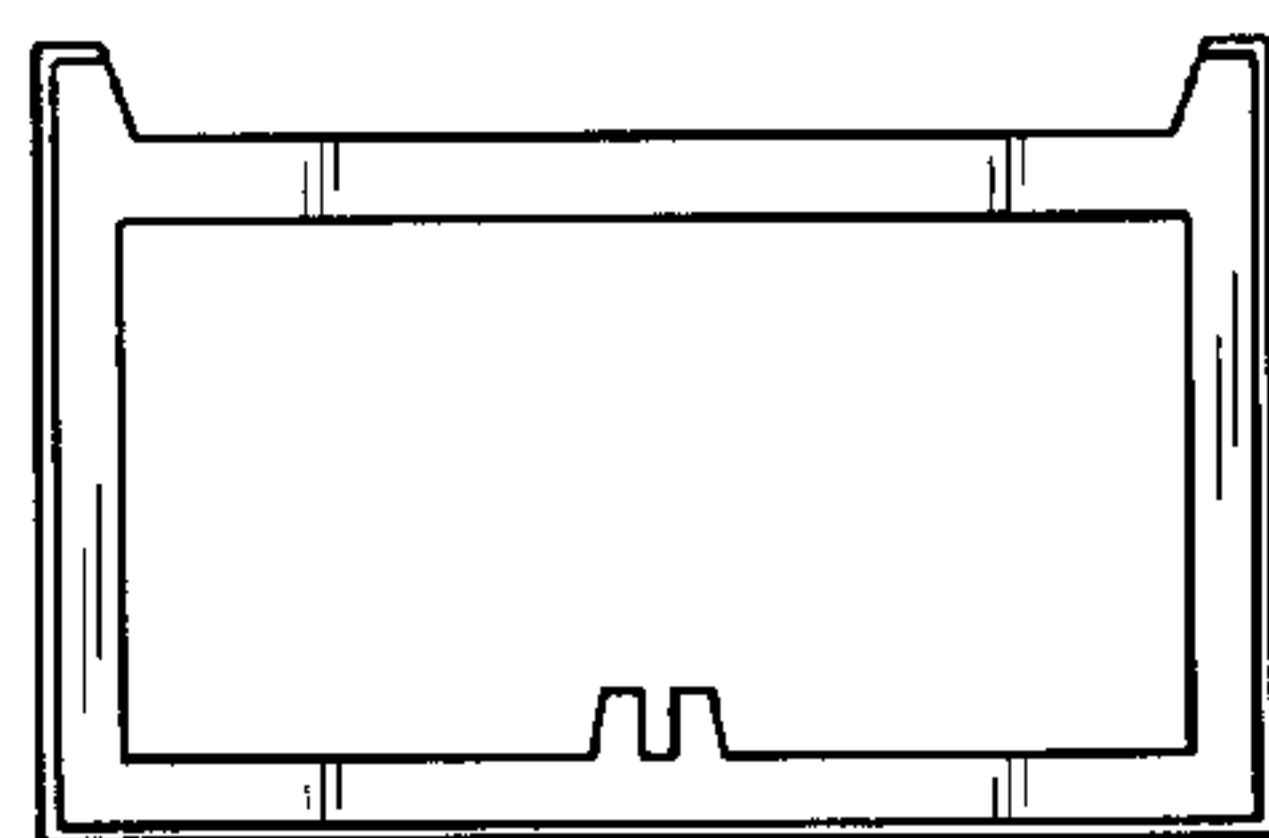


Fig. 3

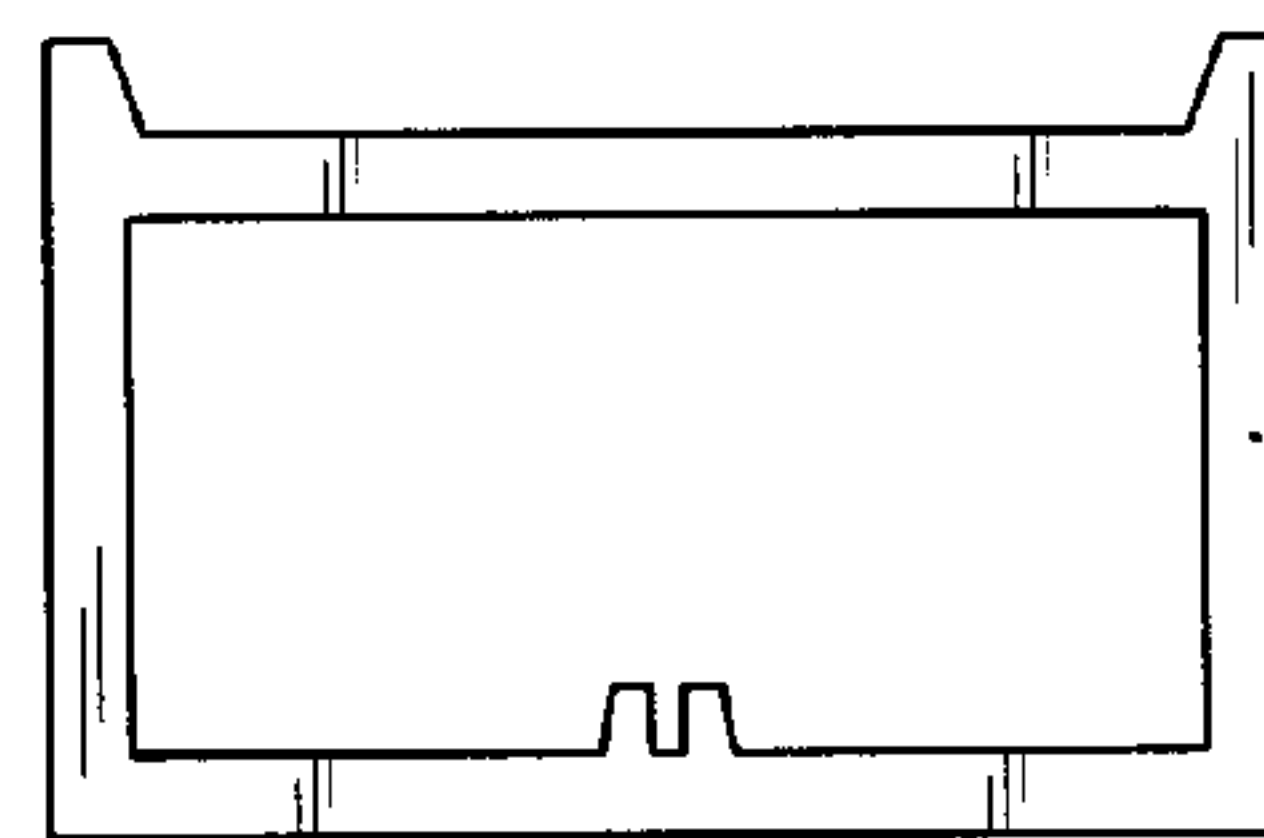


Fig. 4

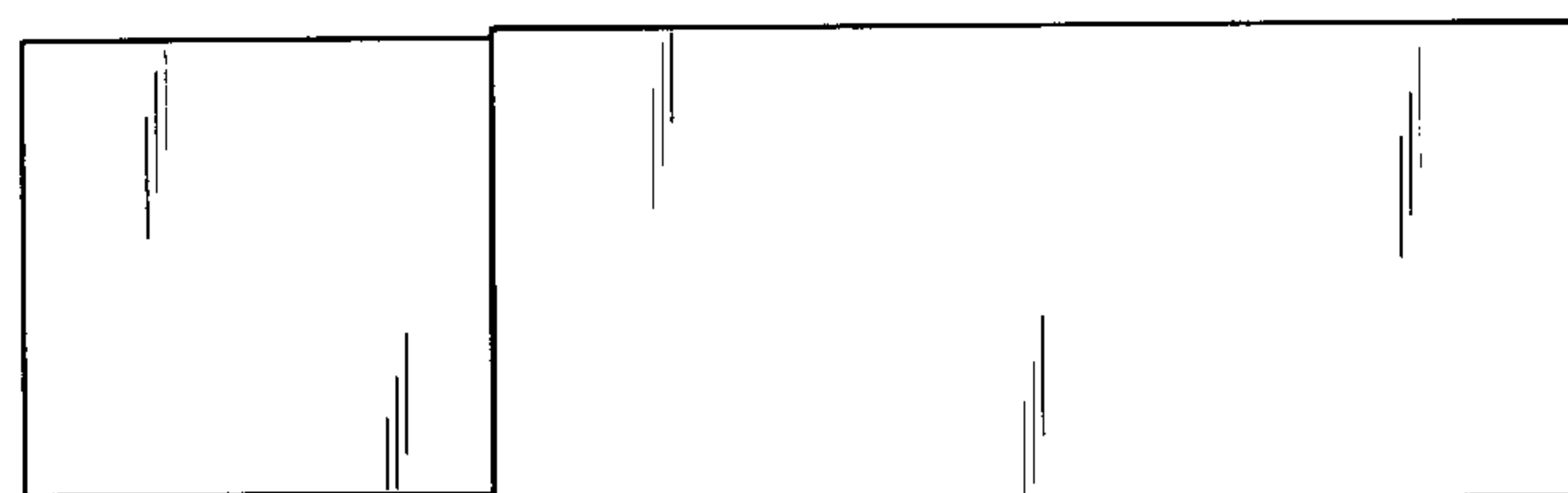


Fig. 5

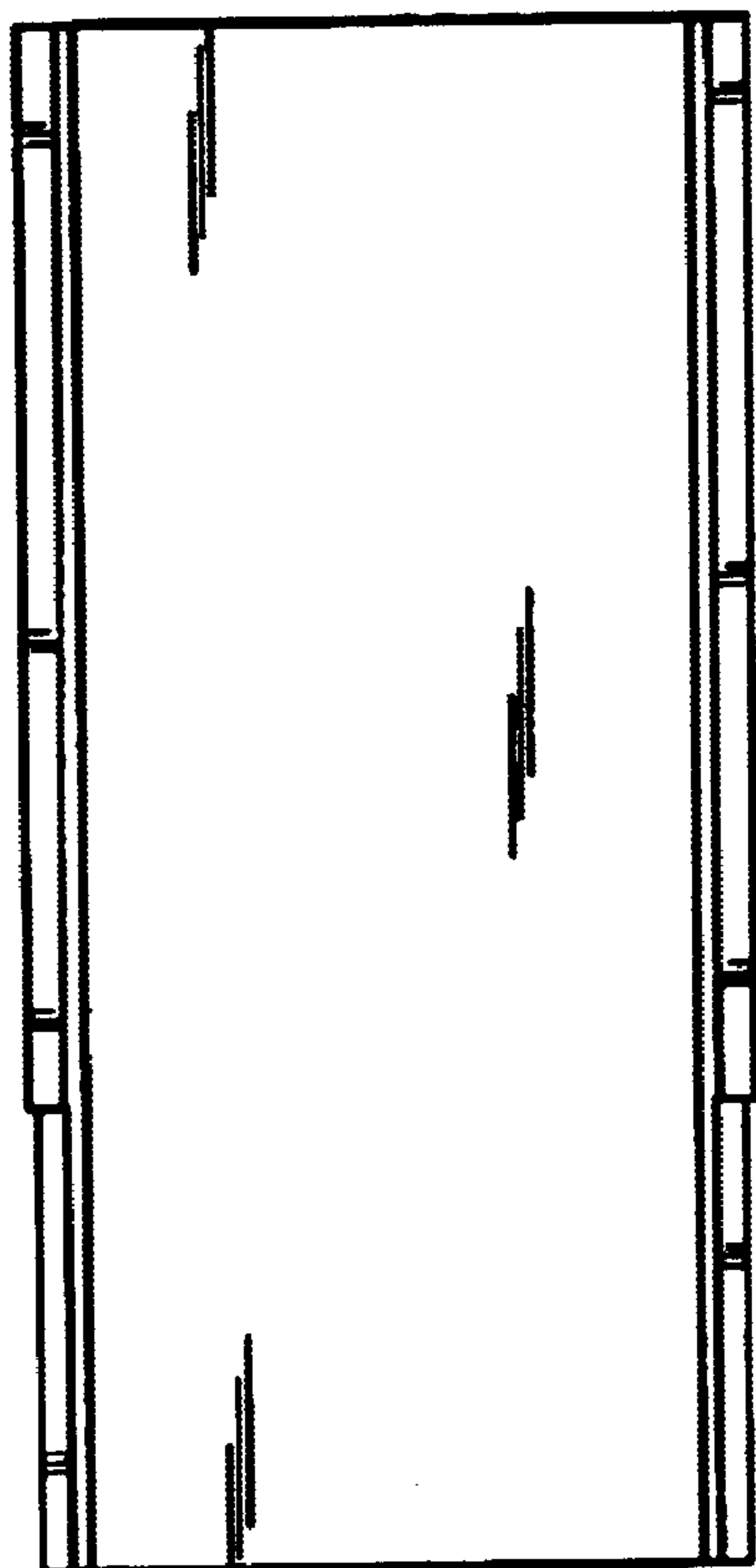


Fig. 6

