

US00D494799S1

(12) **United States Design Patent**
Coe et al.

(10) **Patent No.:** **US D494,799 S**

(45) **Date of Patent:** **** Aug. 24, 2004**

(54) **BOTTLE HOLDER FOR ATTACHMENT TO AN UPWARDLY EXTENDING FLAT SURFACE**

(75) Inventors: **Matthew T. Coe**, Annandale, NJ (US);
Richard Costa, Bedminster, NJ (US)

(73) Assignee: **PharmaDesign Inc**, Warren, NJ (US)

(**) Term: **14 Years**

(21) Appl. No.: **29/188,271**

(22) Filed: **Aug. 15, 2003**

(51) **LOC (7) Cl.** **06-04**

(52) **U.S. Cl.** **D6/567**

(58) **Field of Search** D6/542, 545, 572;
221/208, 282-283; 222/105, 173, 180, 181.1,
181.2, 181.3

(56) **References Cited**

U.S. PATENT DOCUMENTS

D298,097 S * 10/1988 Vogel et al. D6/545

D467,108 S * 12/2002 Ahlstrom et al. D6/545

* cited by examiner

Primary Examiner—Brian N Vinson

(74) *Attorney, Agent, or Firm*—Watson & Kipnes, P.C.

(57) **CLAIM**

The ornamental design for a bottle holder for attachment to an upwardly extending flat surface, as shown and described.

DESCRIPTION

FIG. 1 is a perspective view showing the top left and front of a bottle holder for attachment to an upwardly extending flat surface,

FIG. 2 is a rear elevational view thereof,

FIG. 3 is a front elevational view thereof,

FIG. 4 is a left side elevational view thereof,

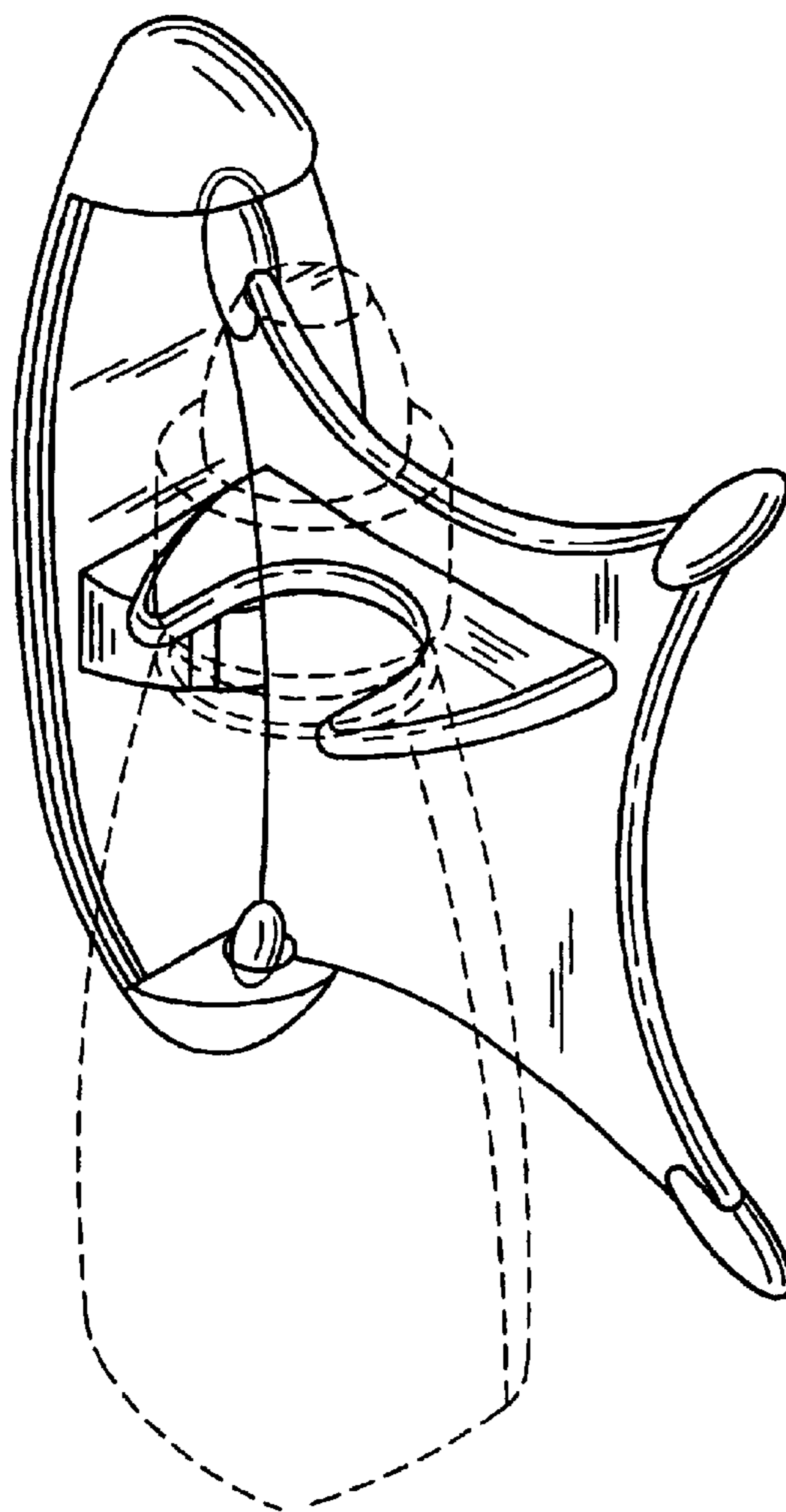
FIG. 5 is a right side elevational view thereof,

FIG. 6 is a top plan view thereof,

FIG. 7 is a bottom plan view thereof; and,

FIG. 8 is a perspective view showing the bottle holder in an operating position with a bottle shown in broken lines and forming no part of the claimed design.

1 Claim, 5 Drawing Sheets



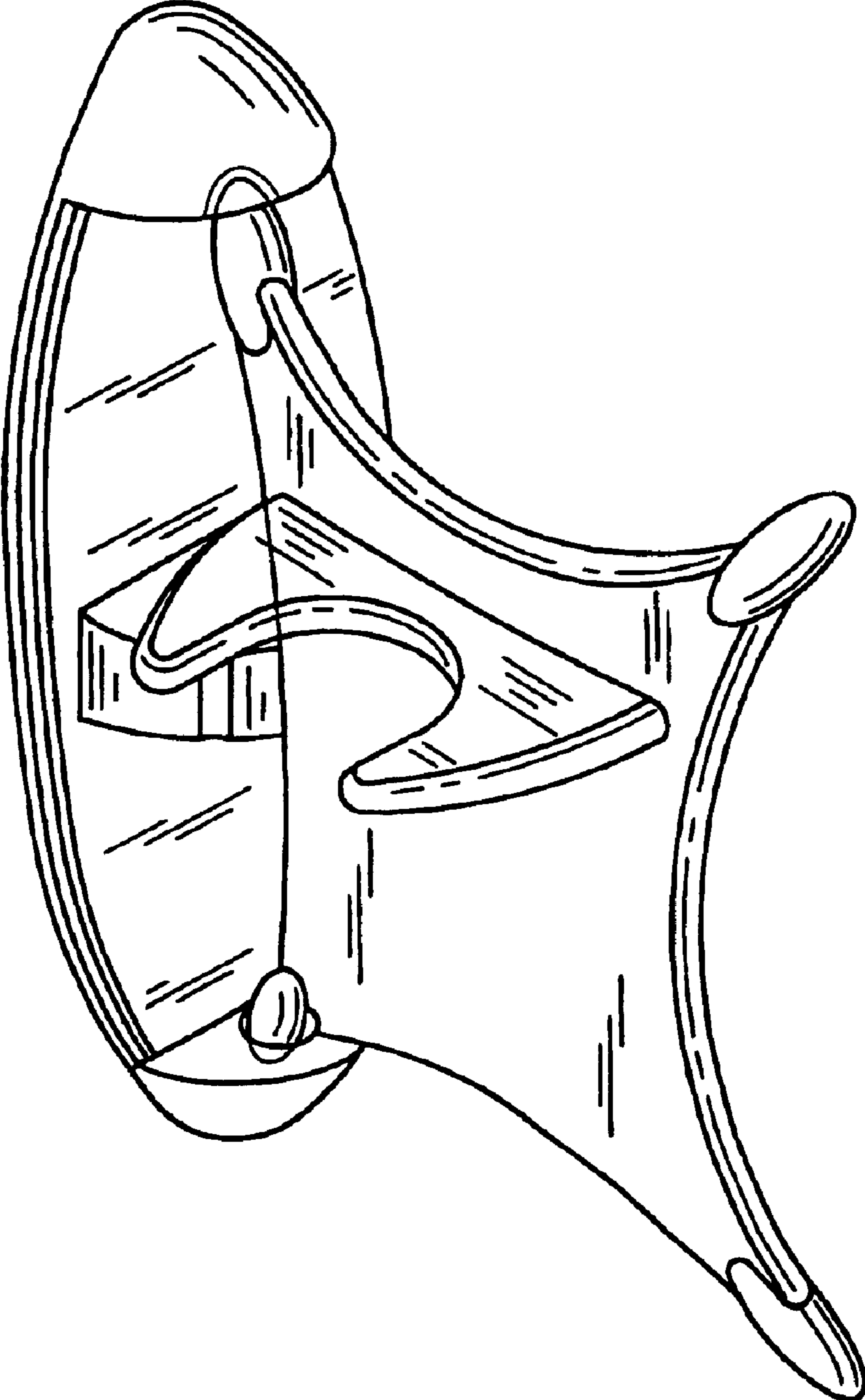


FIG. 1

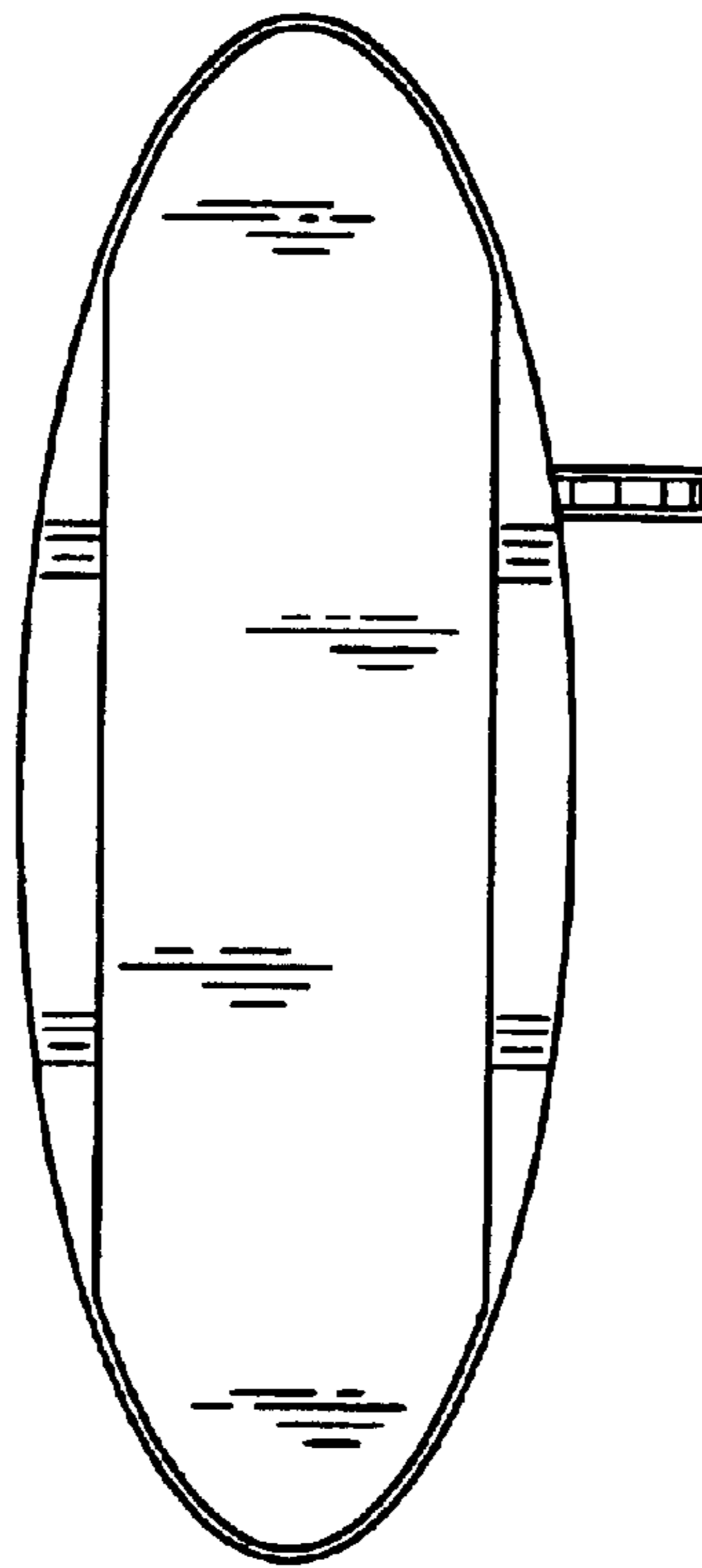


FIG. 2

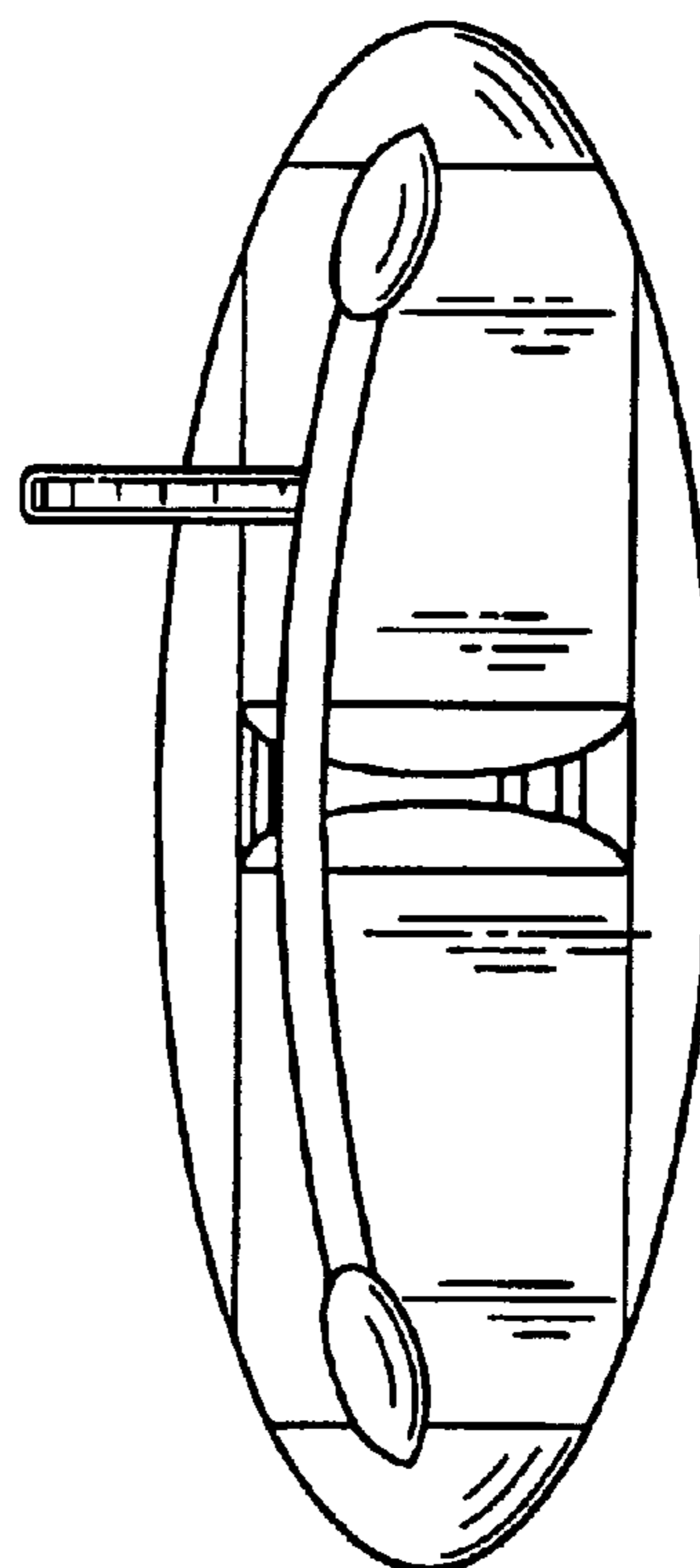


FIG. 3

FIG. 4

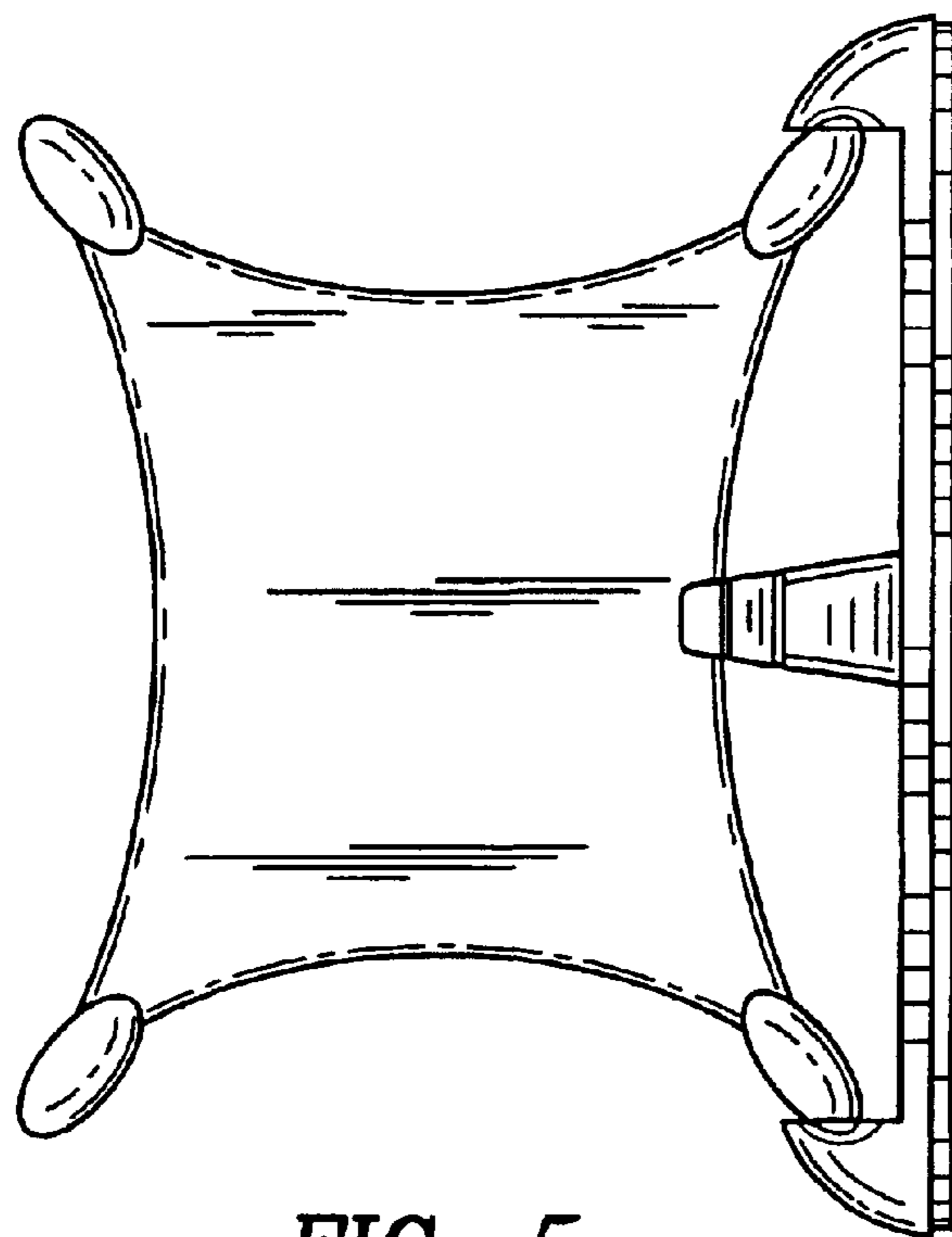
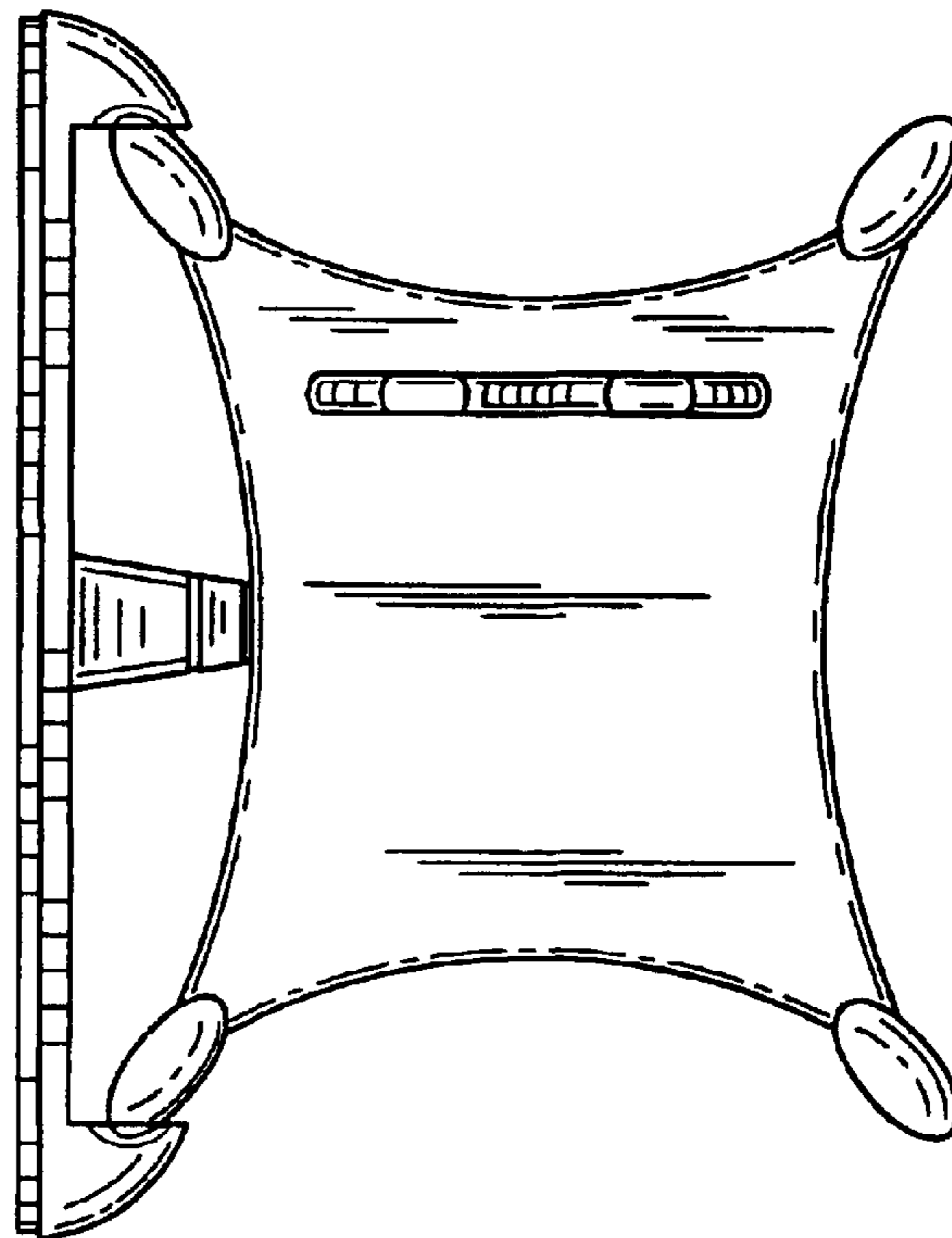


FIG. 5

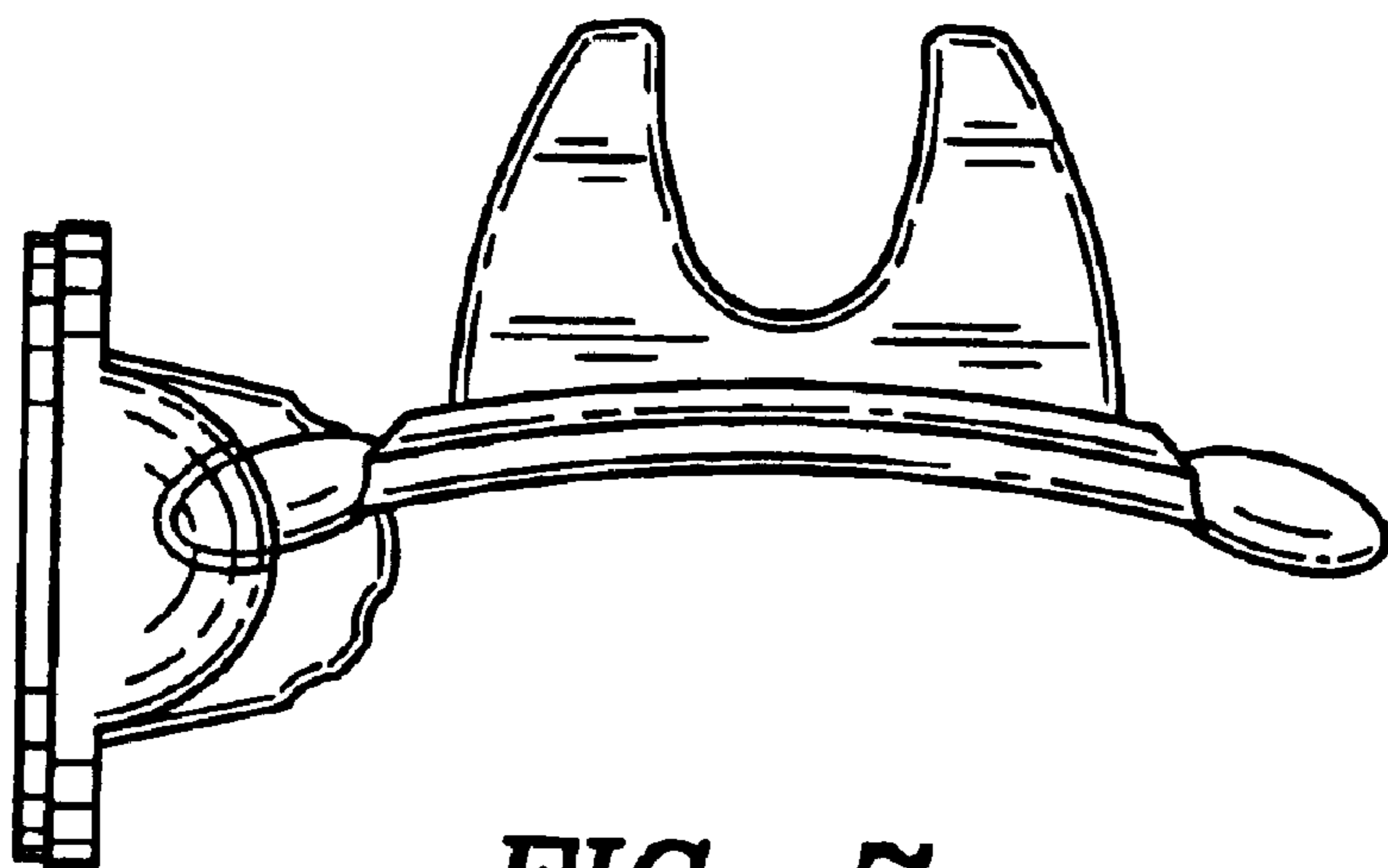


FIG. 7

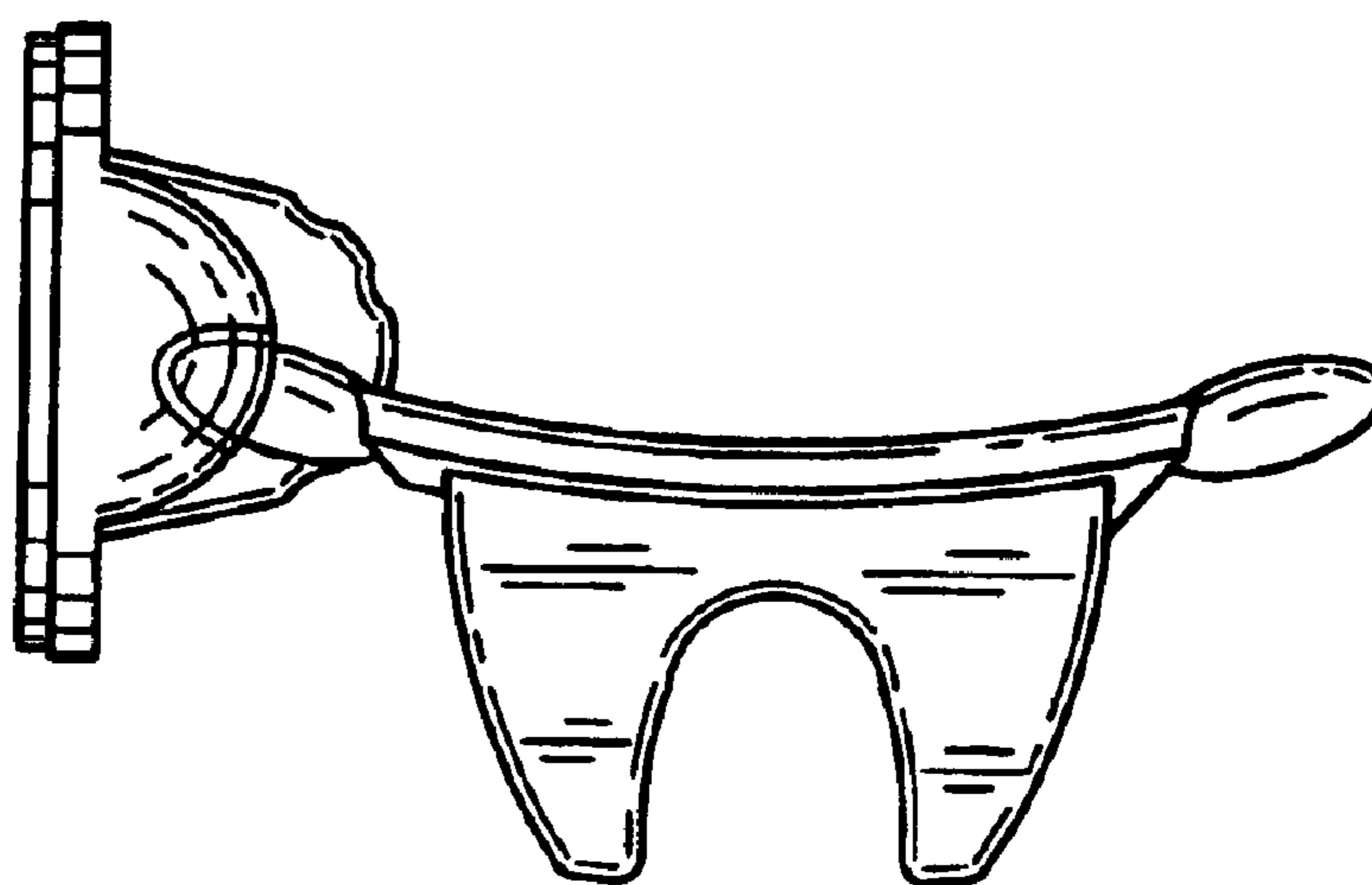


FIG. 6

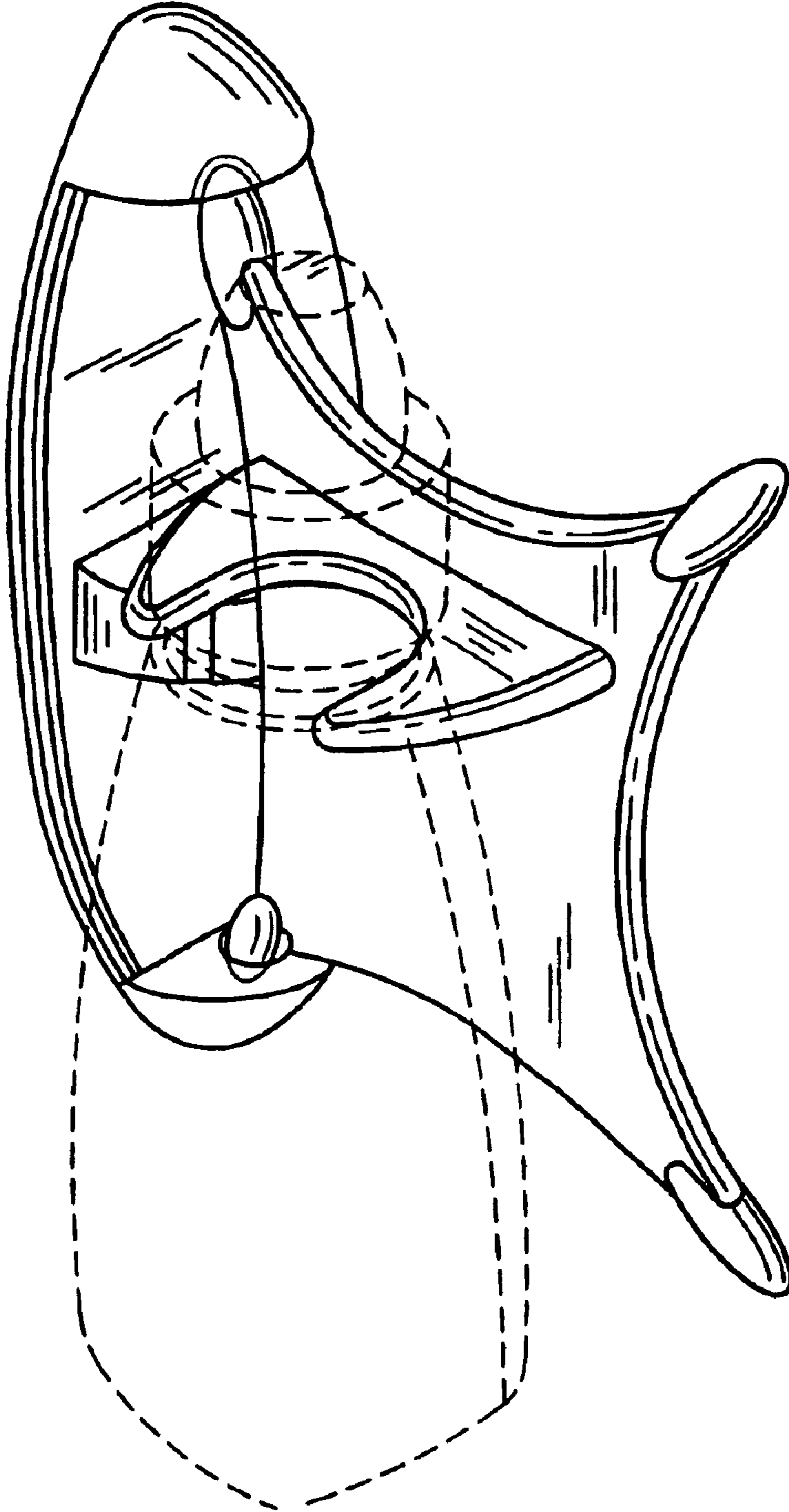


FIG. 8