

US00D494798S1

(12) **United States Design Patent** (10) Patent No.: **US D494,798 S**
Rodon et al. (45) Date of Patent: **** Aug. 24, 2004**

(54) **STORAGE CABINET**

(75) Inventors: **Frank C. Rodon**, Batavia, NY (US);
Jerry L. Reinhart, Batavia, NY (US)

(73) Assignee: **Eastern Molding International, LLC**,
Batavia, NY (US)

(**) Term: **14 Years**

(21) Appl. No.: **29/188,192**

(22) Filed: **Aug. 14, 2003**

5,398,810 A 3/1995 Yao Wang
5,546,671 A 8/1996 Kehoe
D393,393 S 4/1998 Greger
D400,383 S 11/1998 Fricano et al.
D406,462 S 3/1999 Emery, III
D408,190 S 4/1999 Helmsderfer et al.
D415,380 S 10/1999 Kelly
D416,155 S 11/1999 Helmsderfer et al.
D420,543 S 2/2000 Tisbo et al.
D426,996 S 6/2000 Kourembanas
D439,390 S 3/2001 Nottingham et al.
D484,725 S * 1/2004 Howard D6/559

* cited by examiner

Related U.S. Application Data

(63) Continuation-in-part of application No. 29/168,321, filed on
Sep. 30, 2002, now Pat. No. Des. 484,724.

(51) **LOC (7) Cl.** **06-04**

(52) **U.S. Cl.** **D6/559**

(58) **Field of Search** D6/553, 559, 561;
D3/201-203, 254; 211/13.1, 86.01; 312/242,
245

Primary Examiner—Brian N Vinson

(74) *Attorney, Agent, or Firm*—Hodgson Russ LLP

(57) **CLAIM**

The ornamental design for a storage cabinet, as shown and
described.

DESCRIPTION

FIG. 1 is a perspective view of a storage cabinet showing our
new design;

FIG. 2 is a front elevational view thereof;

FIG. 3 is a left side elevational view thereof;

FIG. 4 is a right side elevational view thereof;

FIG. 5 is a top plan view thereof;

FIG. 6 is a bottom plan view thereof;

FIG. 7 is a rear elevational view thereof; and,

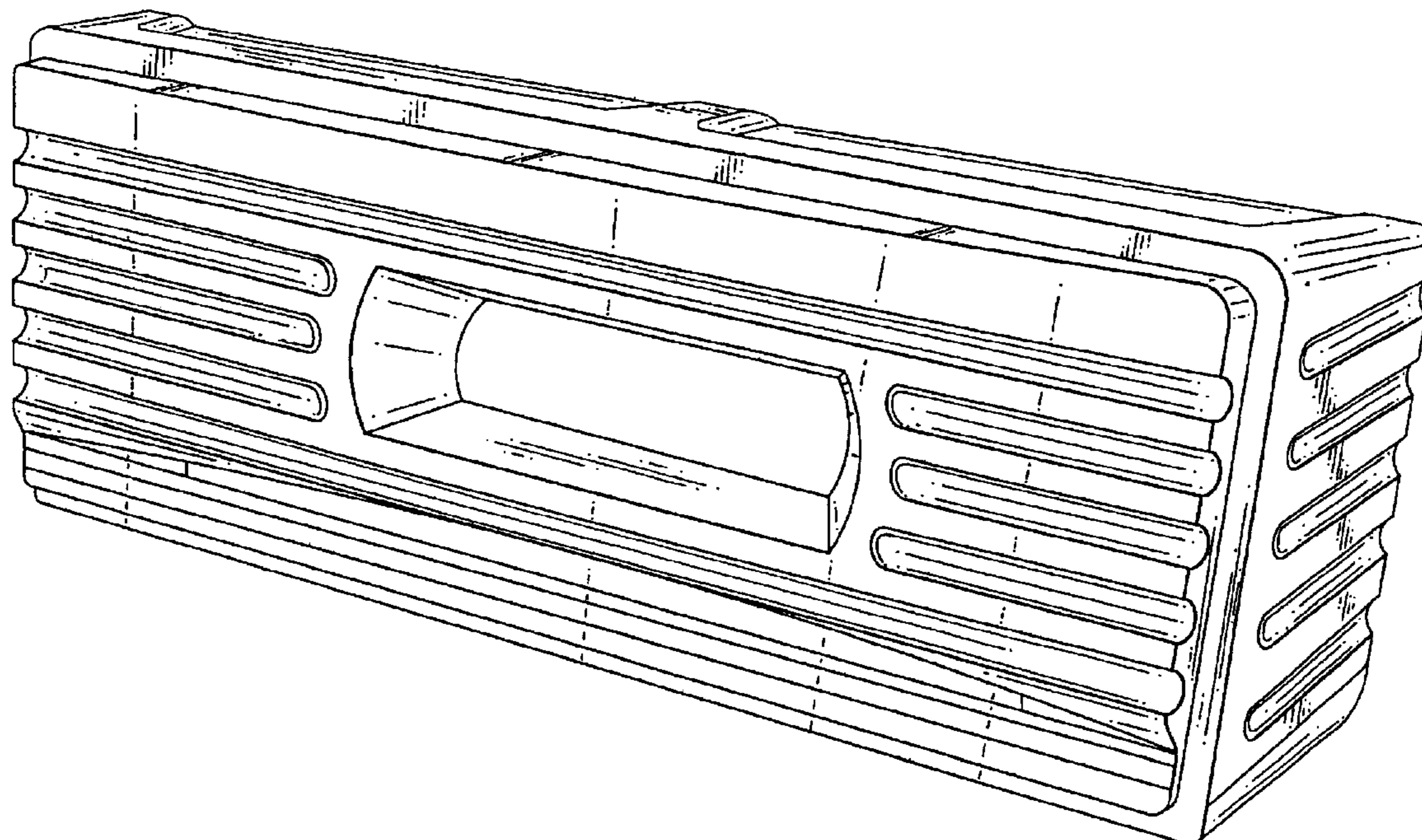
FIG. 8 is a perspective view thereof, shown open.

1 Claim, 6 Drawing Sheets

(56) **References Cited**

U.S. PATENT DOCUMENTS

4,378,828 A	4/1983	Shiminski
D318,175 S	7/1991	Venanzini
D318,367 S	7/1991	Chen
5,108,287 A	4/1992	Yee et al.
D330,120 S	10/1992	Temple et al.
D335,577 S	5/1993	Malmanger et al.
5,339,956 A	8/1994	Thomason



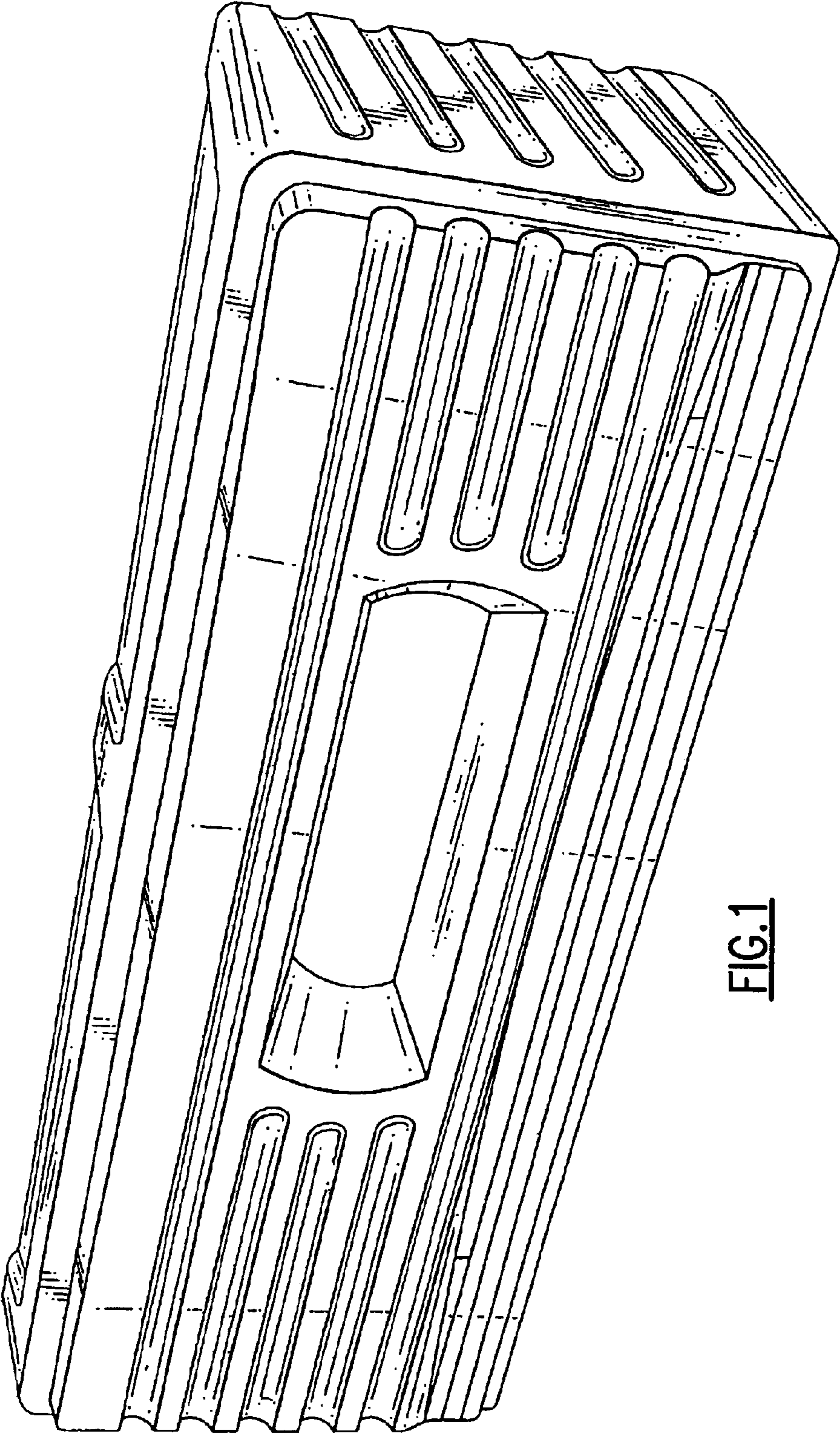


FIG. 1

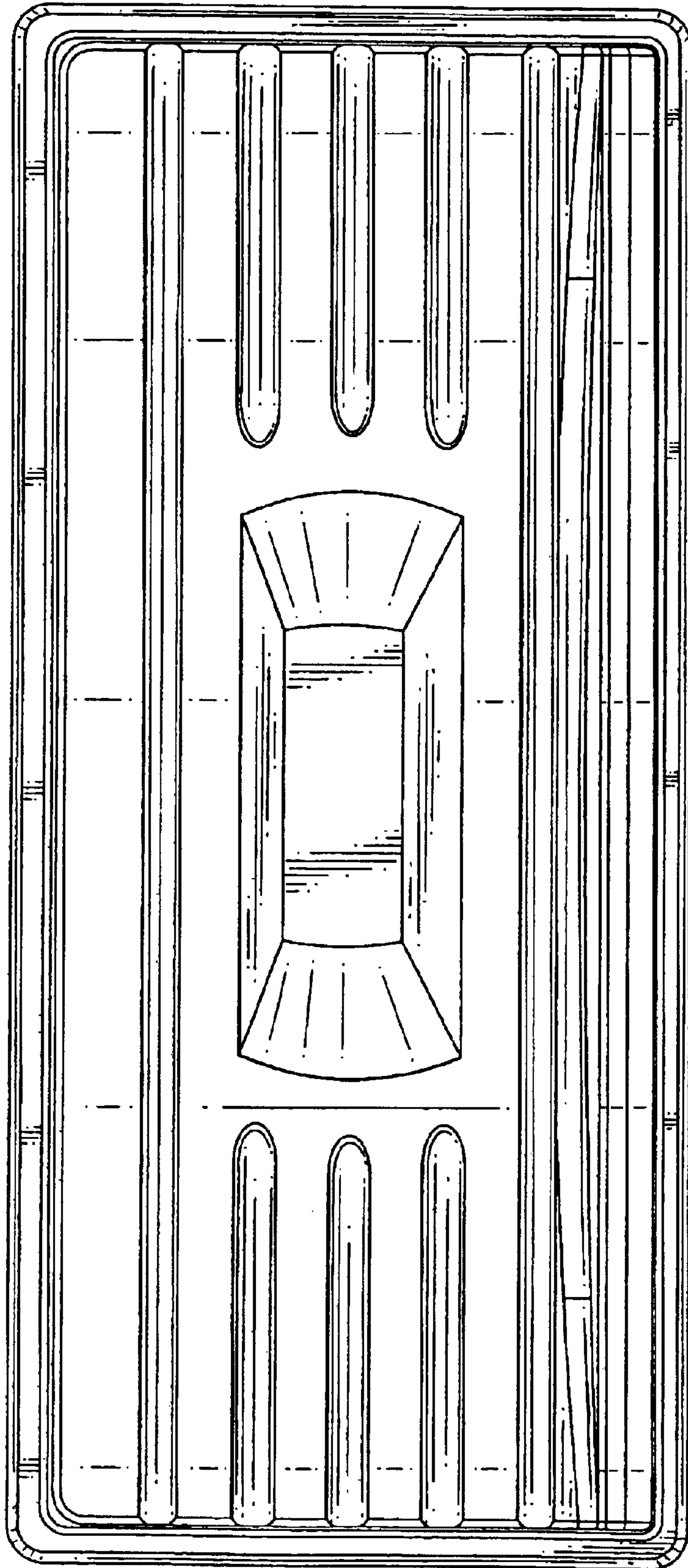


FIG. 2

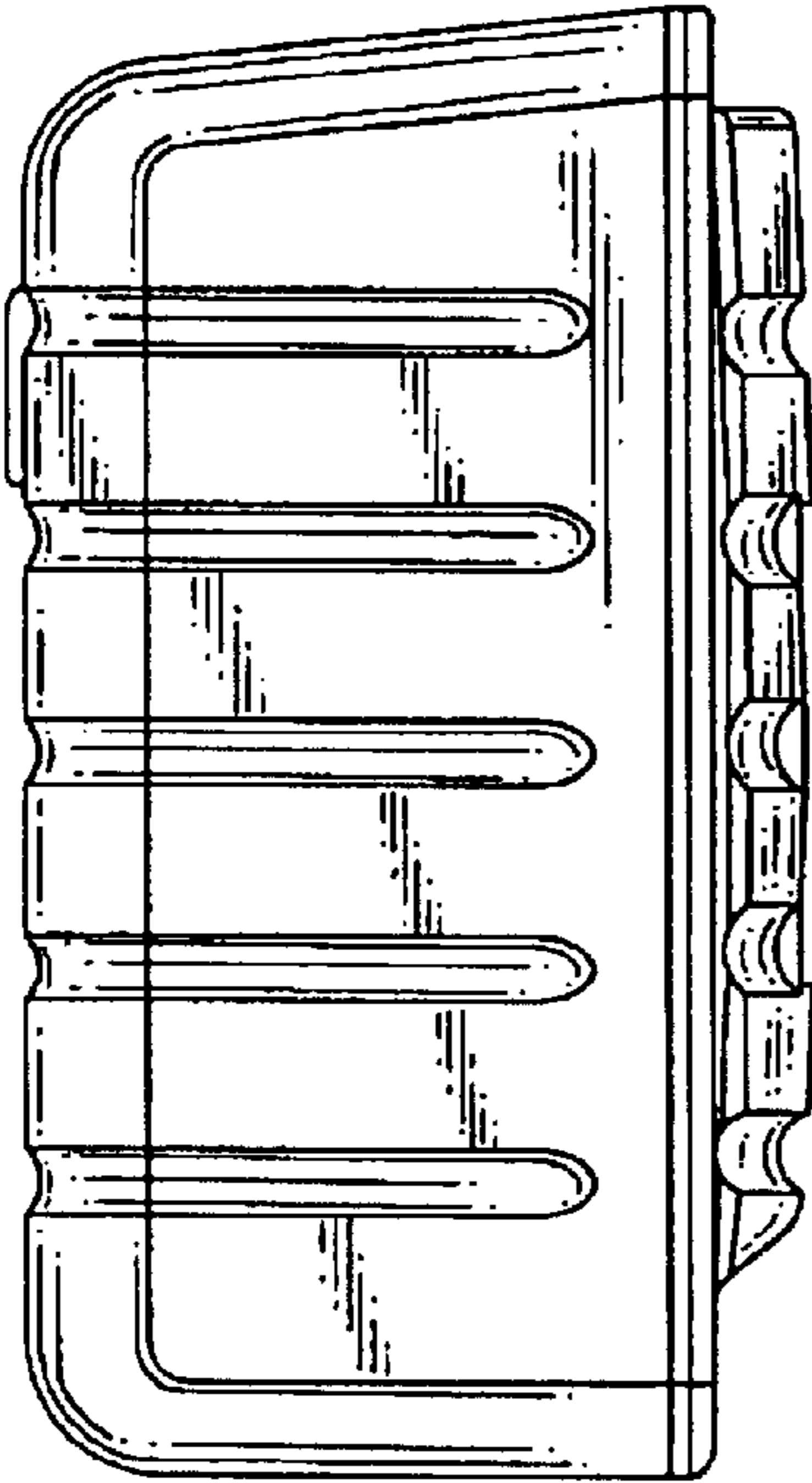


FIG.3

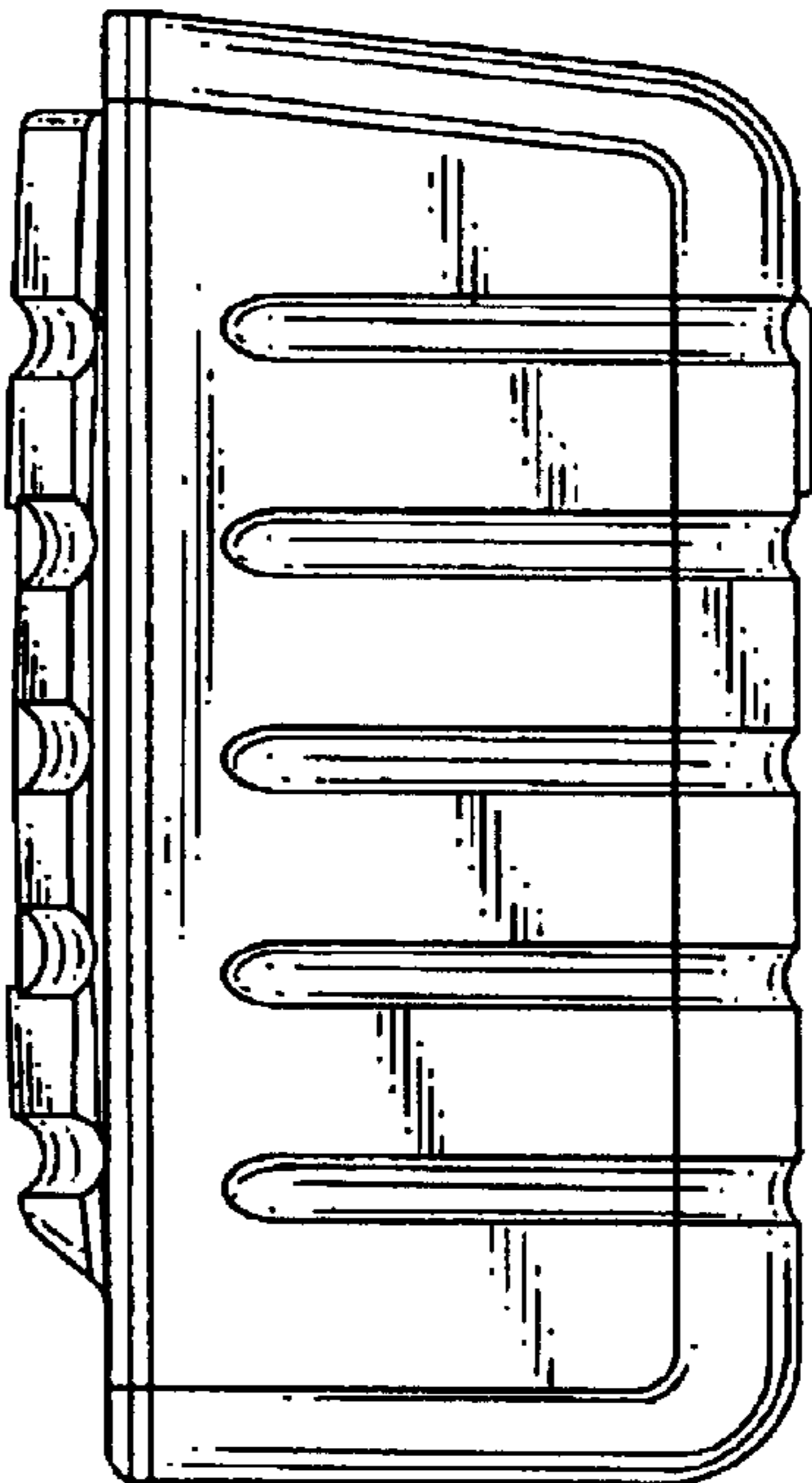


FIG.4

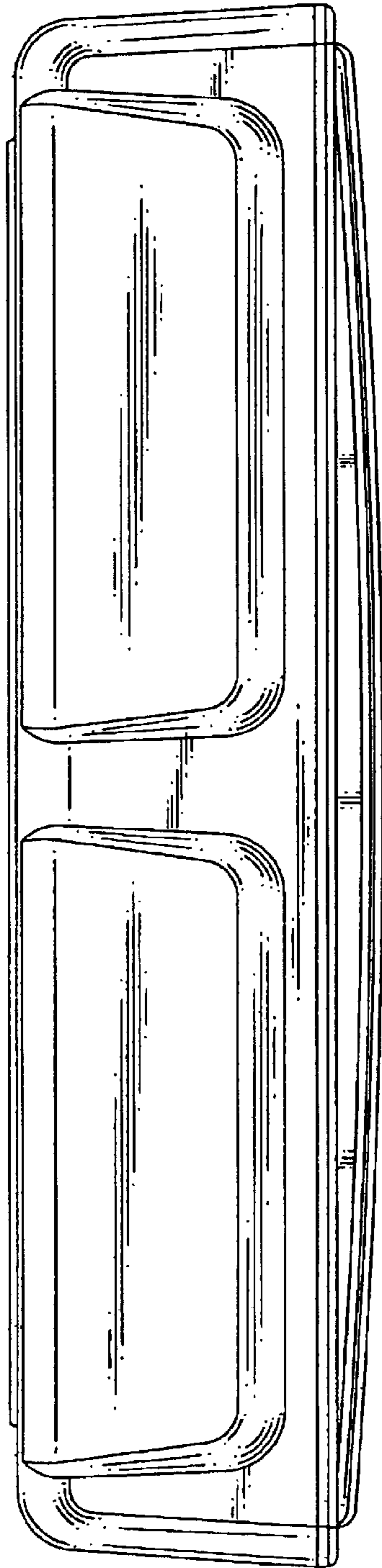


FIG. 5

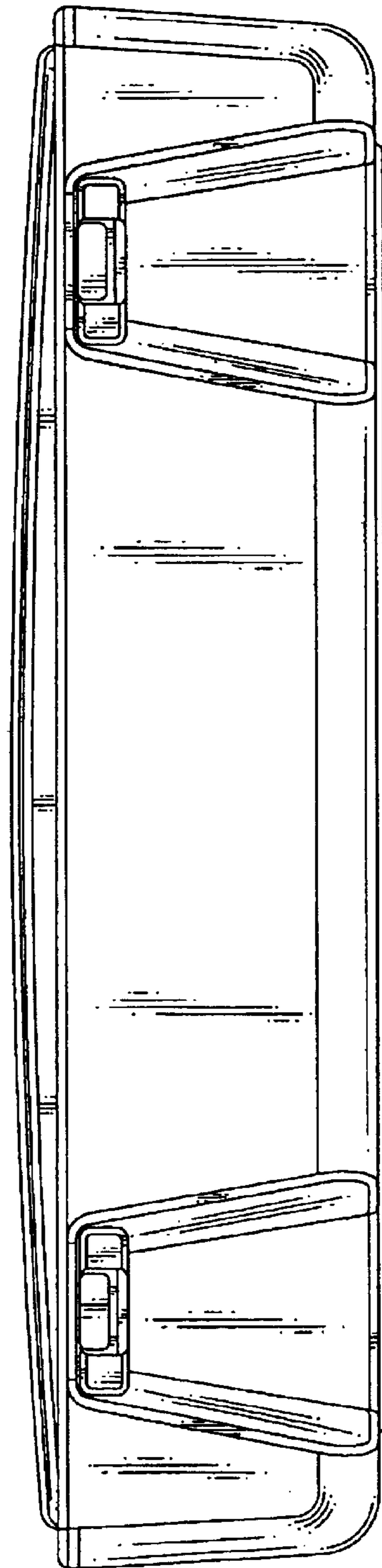


FIG. 6

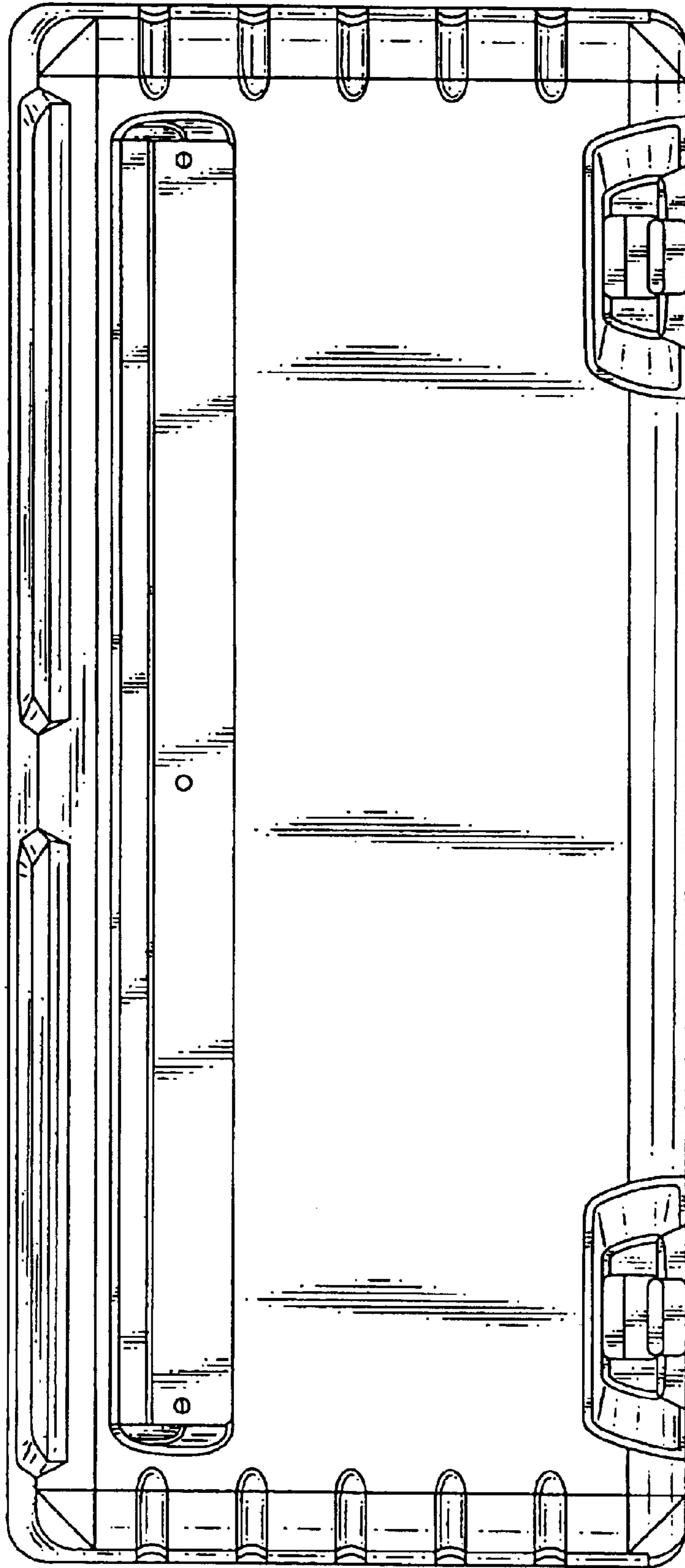


FIG. 7

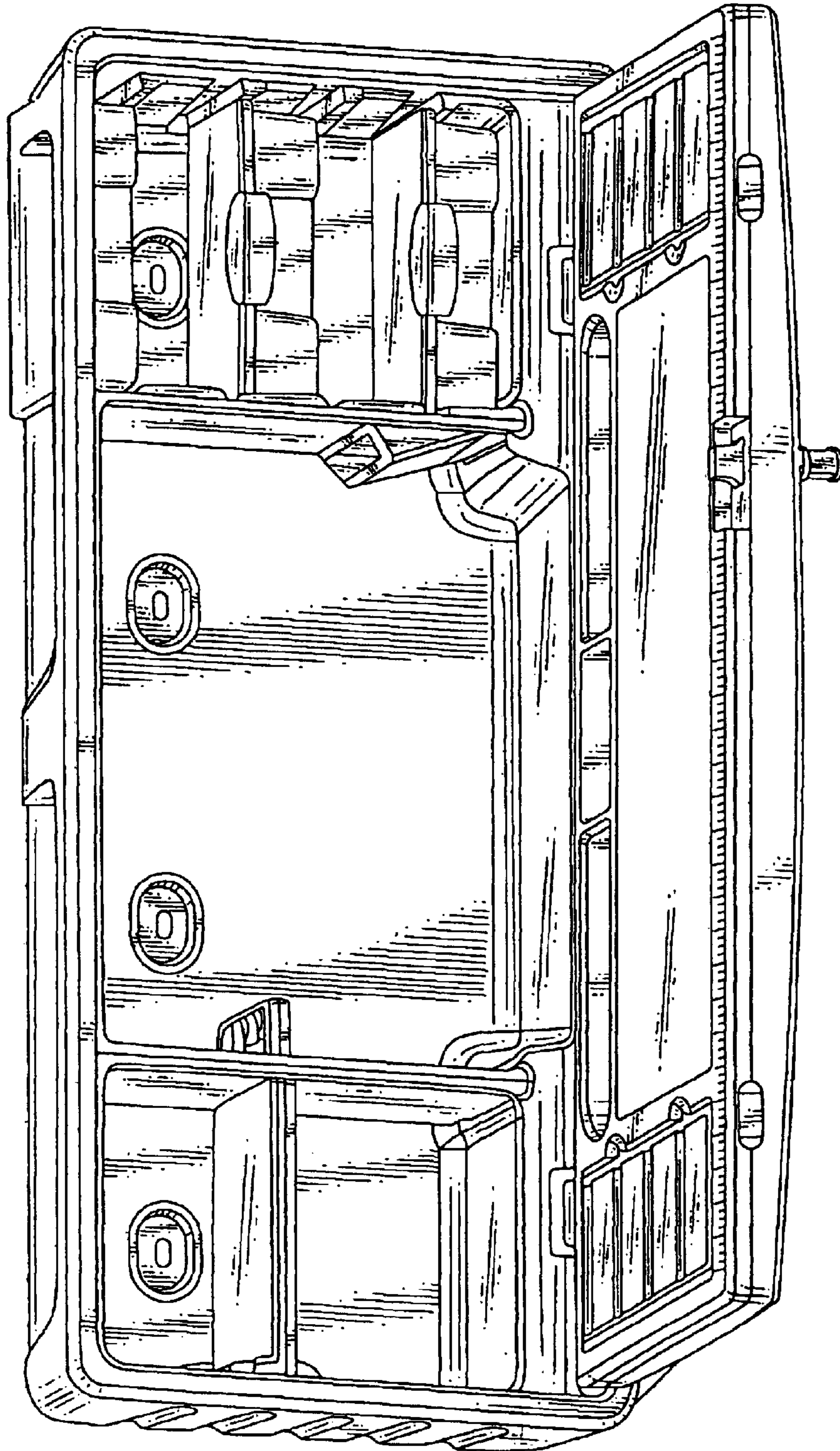


FIG. 8