



US00D494797S1

(12) **United States Design Patent** (10) **Patent No.:** **US D494,797 S**  
**Ramnauth et al.** (45) **Date of Patent:** **\*\* Aug. 24, 2004**

(54) **REMOTE CONTROL AND ACCESSORY HOLDER WITH SUCTION CUPS FOR TELEVISION**

(76) Inventors: **Shahendranauth S. Ramnauth**, 1 Adler Pl., Brooklyn, NY (US) 11208;  
**Indranie Ramnauth**, 1 Adler Pl., Brooklyn, NY (US) 11208

(\*\*) Term: **14 Years**

(21) Appl. No.: **29/196,304**

(22) Filed: **Dec. 29, 2003**

(51) **LOC (7) Cl.** ..... **06-04**

(52) **U.S. Cl.** ..... **D6/553**

(58) **Field of Search** ..... D6/552, 553, 567, D6/574; 211/13.1, 69.1, 70.6, 70.7, 71-72, 74-75, 86.01, 87.01, 88.01, 90.01, 126.1

(56) **References Cited**

**U.S. PATENT DOCUMENTS**

2,302,806 A	11/1942	Senter	
D260,323 S	8/1981	Johnson	
D267,808 S	* 2/1983	Russo	..... D6/567
4,431,154 A	2/1984	Hamm	
D274,707 S	7/1984	French	
4,686,745 A	8/1987	Butler	
4,893,222 A	1/1990	Mintzer	
D308,148 S	* 5/1990	Meyer	..... D6/567
5,092,459 A	3/1992	Uljanic et al.	

5,122,937 A	6/1992	Stoudemire	
D339,017 S	* 9/1993	Goodman et al.	..... D6/567
5,265,720 A	11/1993	Meliconi	
D359,404 S	* 6/1995	Svee	..... D6/574
D362,780 S	* 10/1995	Hampshire	..... D6/567
D383,633 S	* 9/1997	Schweitzer	..... D6/567
D417,352 S	12/1999	Hampshire	
D422,828 S	* 4/2000	Kanfer et al.	..... D6/567

\* cited by examiner

*Primary Examiner*—Brian N Vinson

(74) *Attorney, Agent, or Firm*—Donald R. Schoonover

(57) **CLAIM**

We claim the ornamental design for a remote control and accessory holder with suction cups for television, as shown and described.

**DESCRIPTION**

FIG. 1 is a perspective view of a remote control and accessory holder with suction cups for television showing our new design; the broken lines depict environmental structure for illustrative purposes only and form no part of the claimed design;

FIG. 2 is a front elevational view thereof;

FIG. 3 is a rear elevational view thereof;

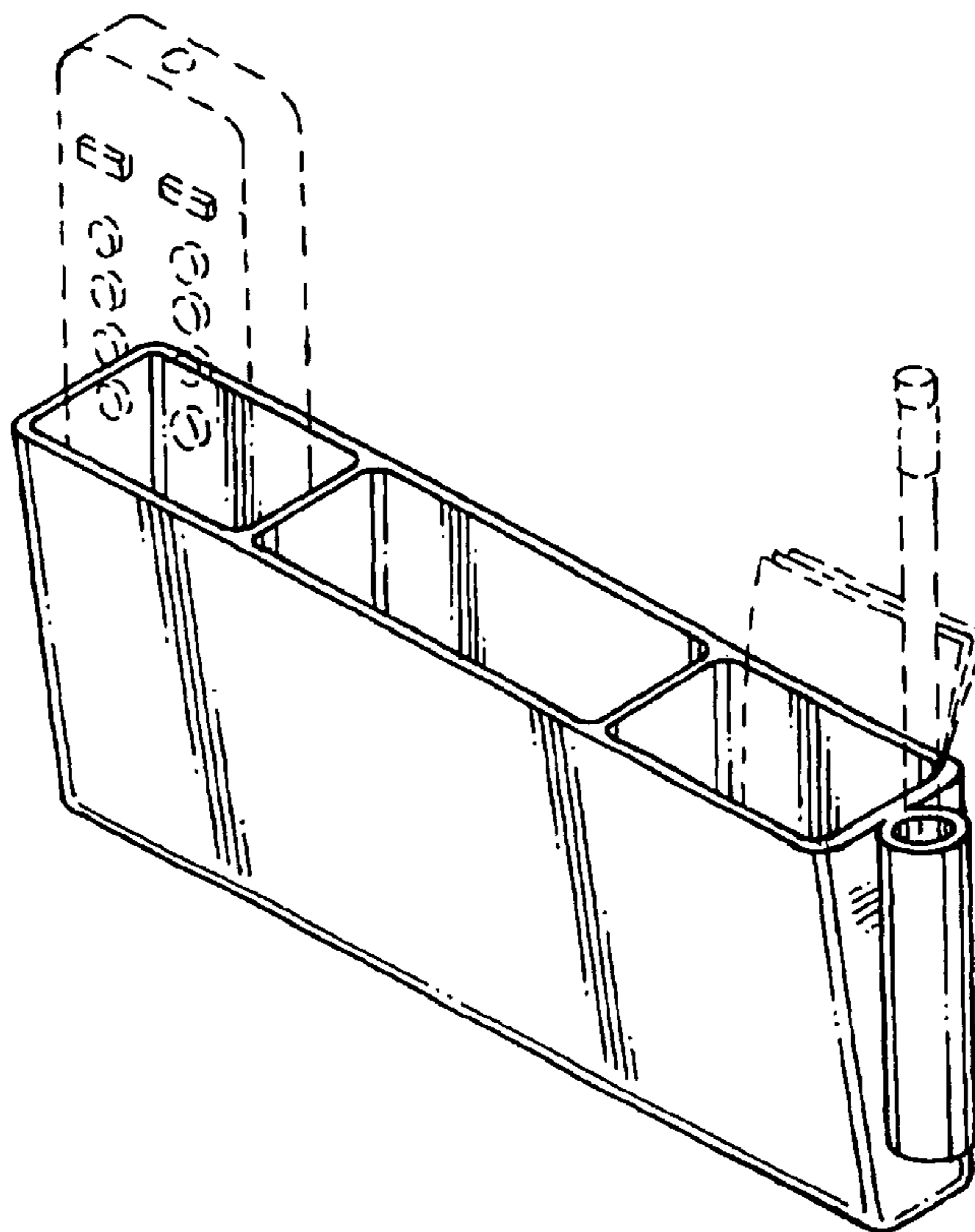
FIG. 4 is a left side elevational view thereof;

FIG. 5 is a right side elevational view thereof;

FIG. 6 is a top plan view thereof; and,

FIG. 7 is a bottom plan view thereof.

**1 Claim, 3 Drawing Sheets**



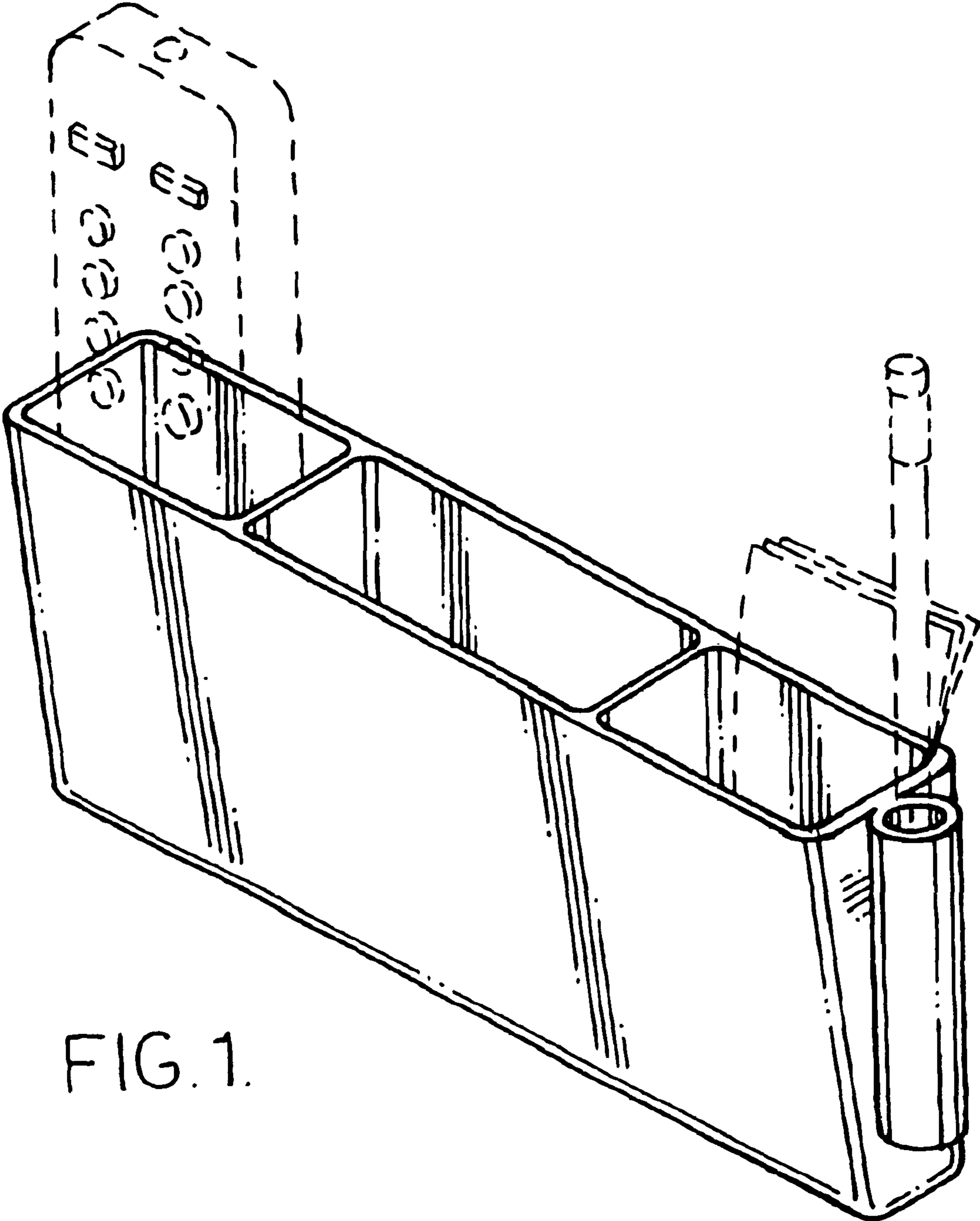


FIG. 1.

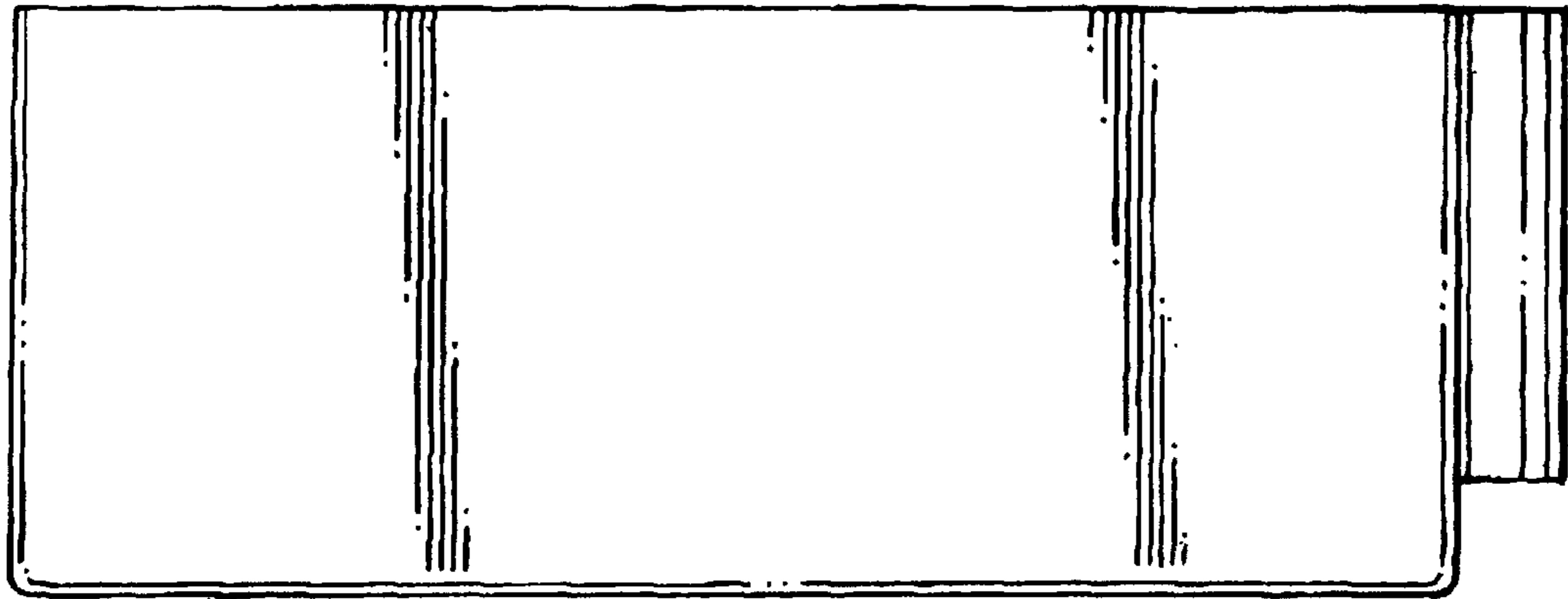


FIG. 2.

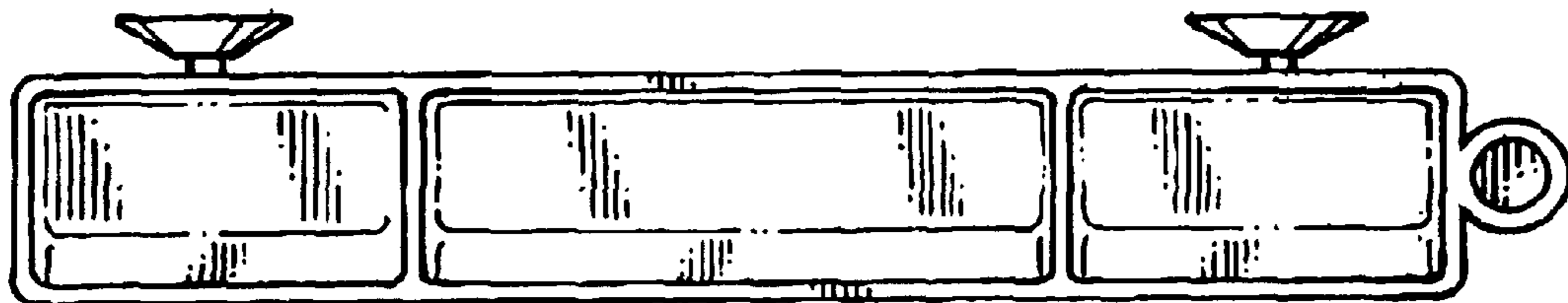


FIG. 6.

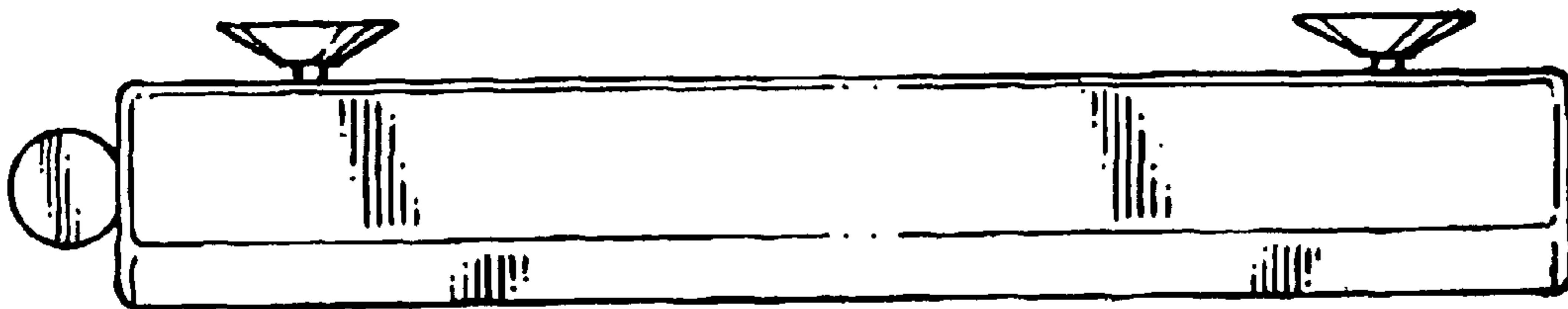


FIG. 7.

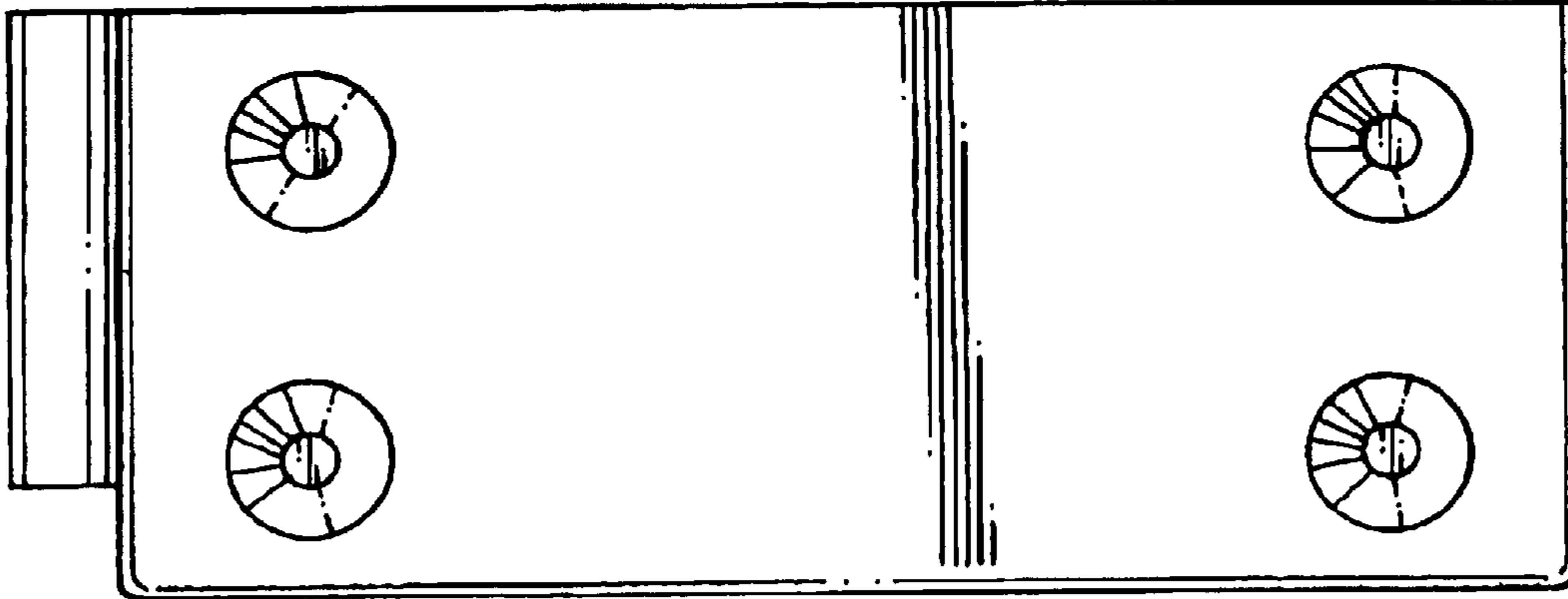


FIG. 3.

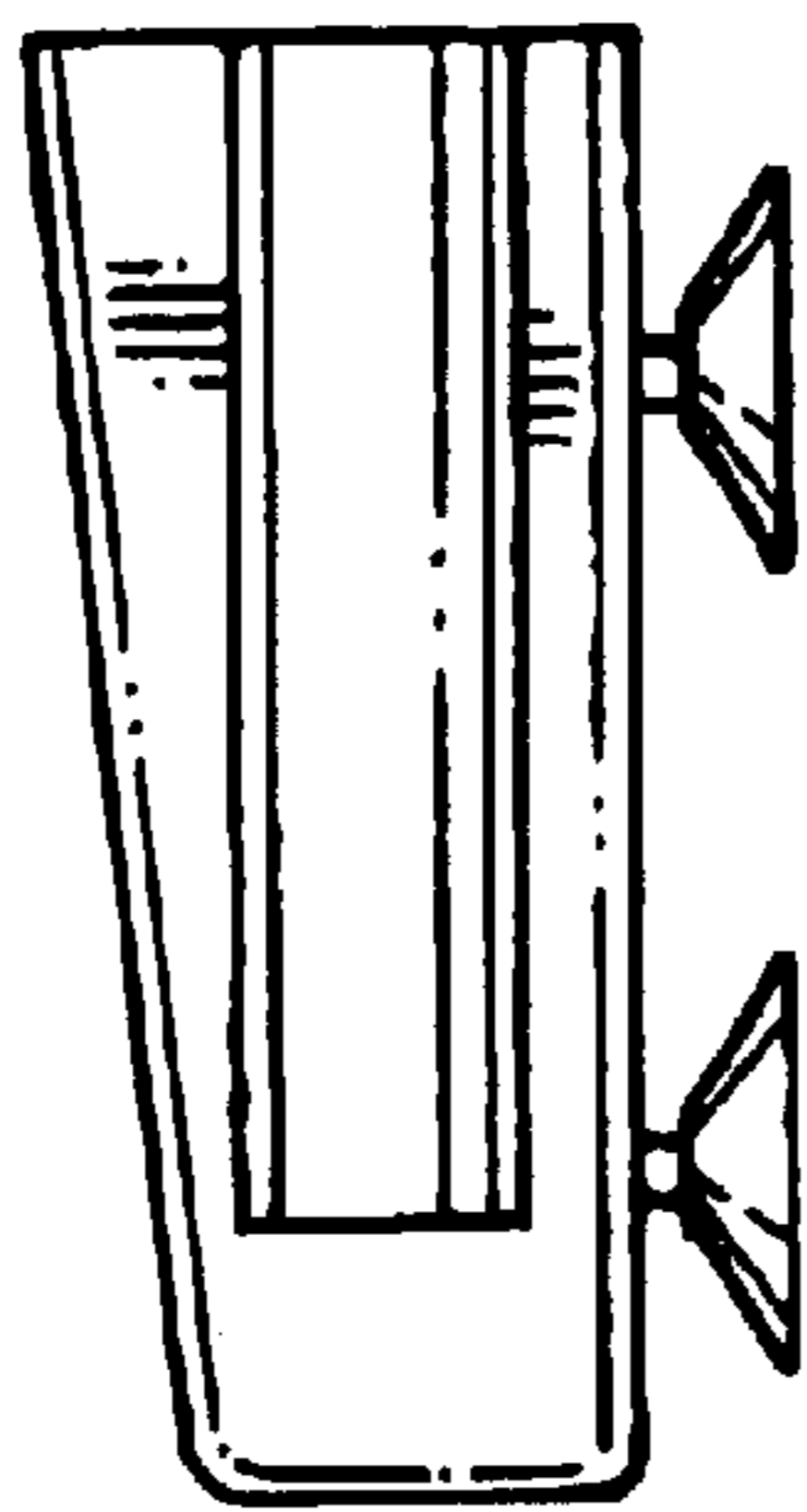


FIG. 4.

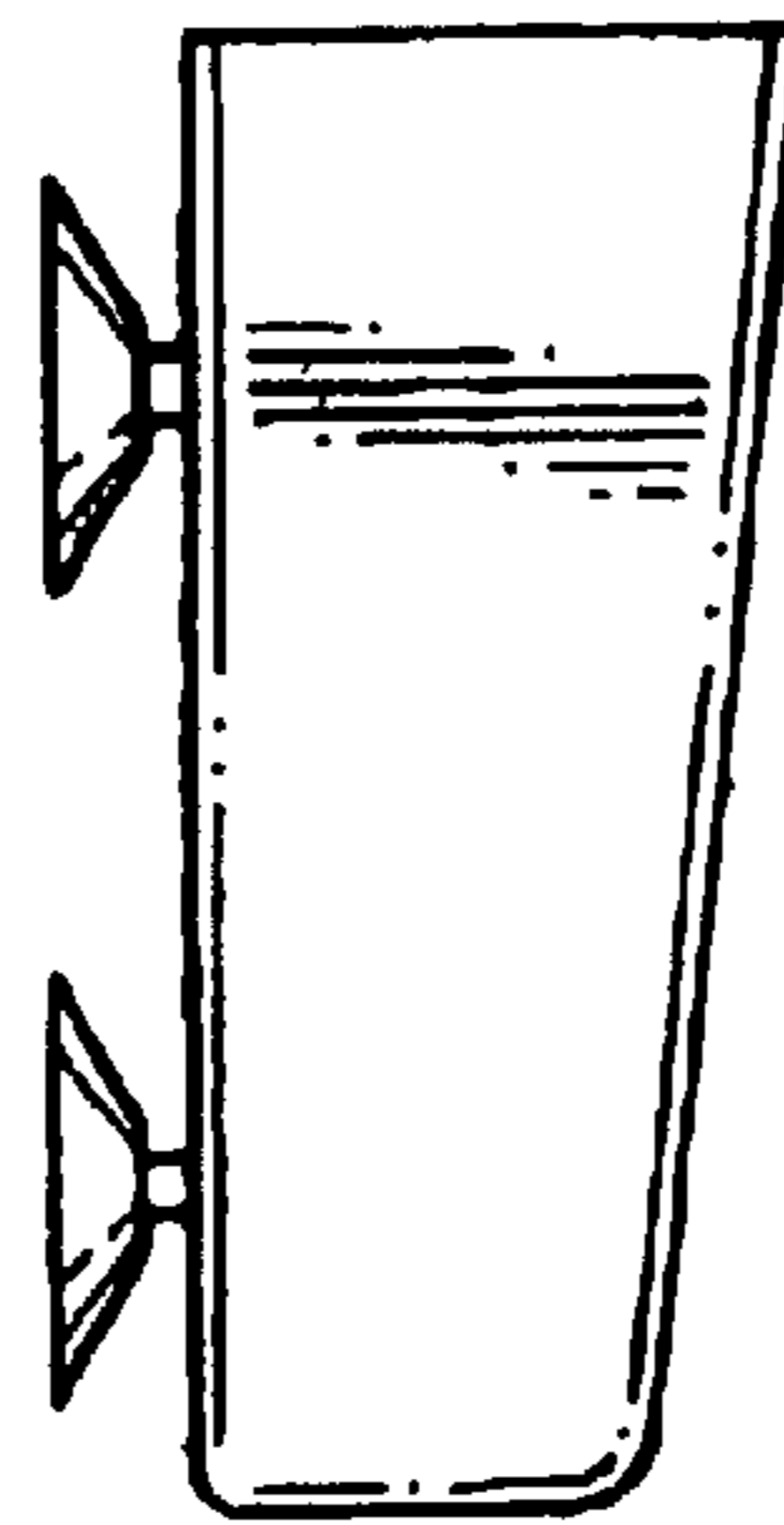


FIG. 5.