

US00D494794S1

(12) **United States Design Patent**
Winkleman

(10) **Patent No.:** **US D494,794 S**

(45) **Date of Patent:** **** Aug. 24, 2004**

(54) **BATHROOM SHOWER CADDY**

D479,073 S * 9/2003 Snell D6/525
D485,462 S * 1/2004 Suero, Jr. D6/525

(76) Inventor: **Elayne H. Winkleman**, 13515
Bristlecone Cir., Orlando, Orange
County, FL (US) 32828

* cited by examiner

Primary Examiner—Brian N Vinson

(74) *Attorney, Agent, or Firm*—William M. Hobby, III

(**) Term: **14 Years**

(57) **CLAIM**

(21) Appl. No.: **29/198,531**

The ornamental design for a bathroom shower caddy, as shown and described.

(22) Filed: **Feb. 2, 2004**

(51) **LOC (7) Cl.** **23-02**

DESCRIPTION

(52) **U.S. Cl.** **D6/525**

(58) **Field of Search** D6/524, 525, 536,
D6/540; 211/13.1, 74, 71.01, 75, 86.01,
87.01, 88.01, 113, 126.1

FIG. 1 is a right front perspective view of my new bathroom shower caddy;

FIG. 2 is a left side elevation;

FIG. 3 is a top plan view;

FIG. 4 is a bottom plan view;

FIG. 5 is a right side elevation;

FIG. 6 is a front elevation;

FIG. 7 is a rear elevation;

FIG. 8 is a top plan view of an alternate embodiment having a modified tray floor design; and,

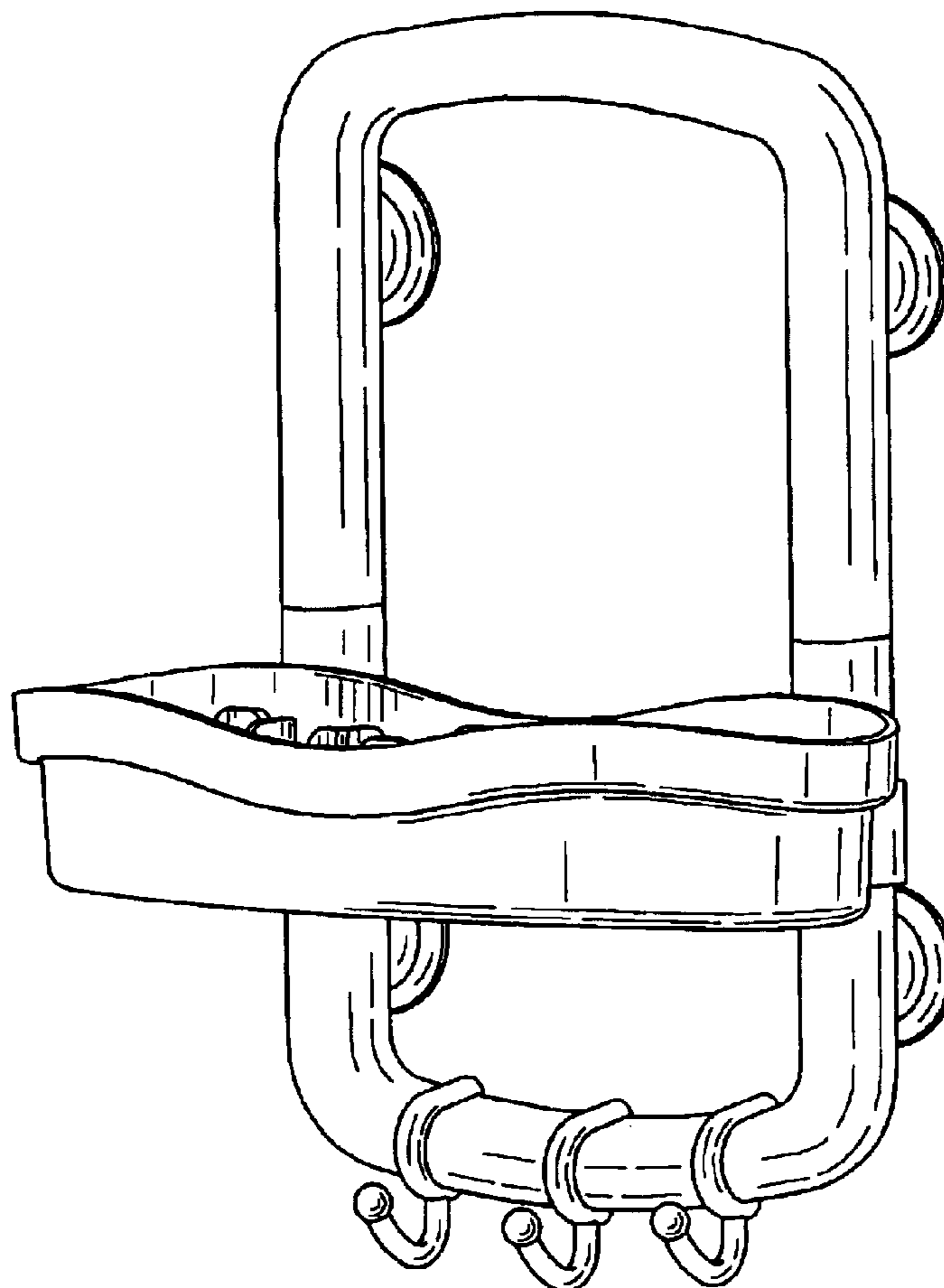
FIG. 9 is a bottom plan view of the embodiment of FIG. 8.

(56) **References Cited**

U.S. PATENT DOCUMENTS

D382,750 S	*	8/1997	Andrus	D6/525
D392,484 S	*	3/1998	Yemini	D6/525
D404,948 S	*	2/1999	Yemini	D6/525
D413,467 S	*	9/1999	Patel et al.	D6/525
D415,916 S	*	11/1999	Hofman et al.	D6/525
D417,990 S	*	12/1999	Yemini	D6/525
D472,747 S	*	4/2003	Walker	D6/525

1 Claim, 3 Drawing Sheets



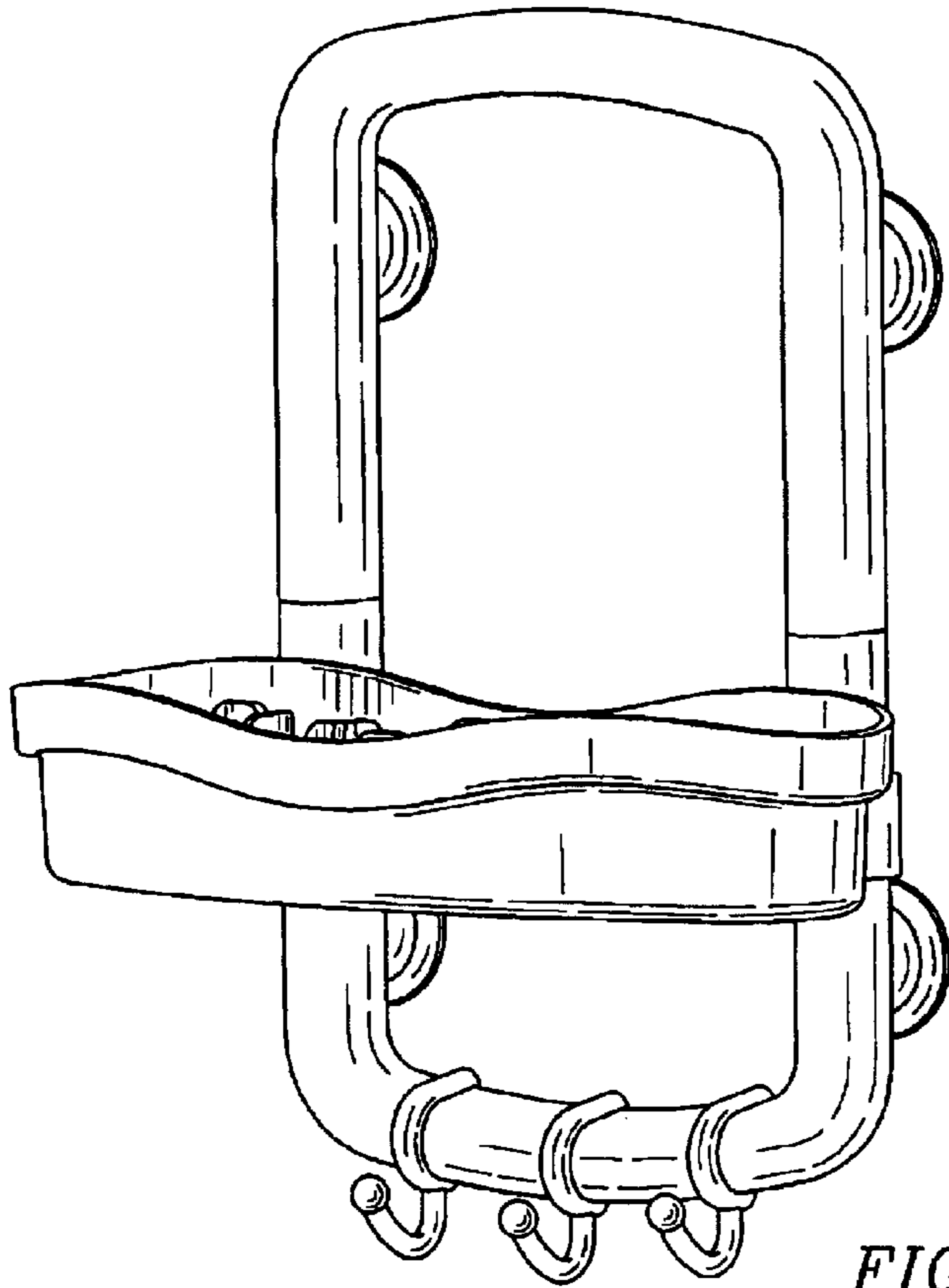


FIG. 1

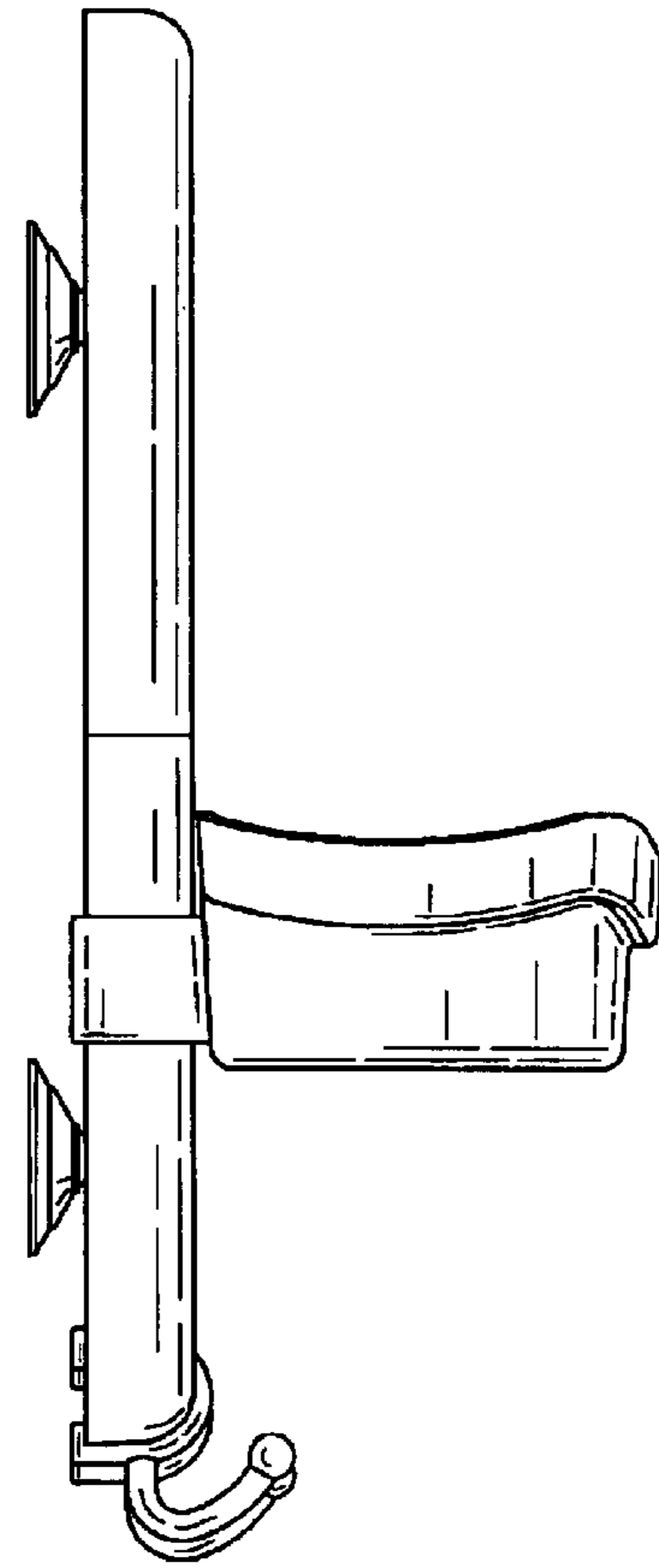


FIG. 2

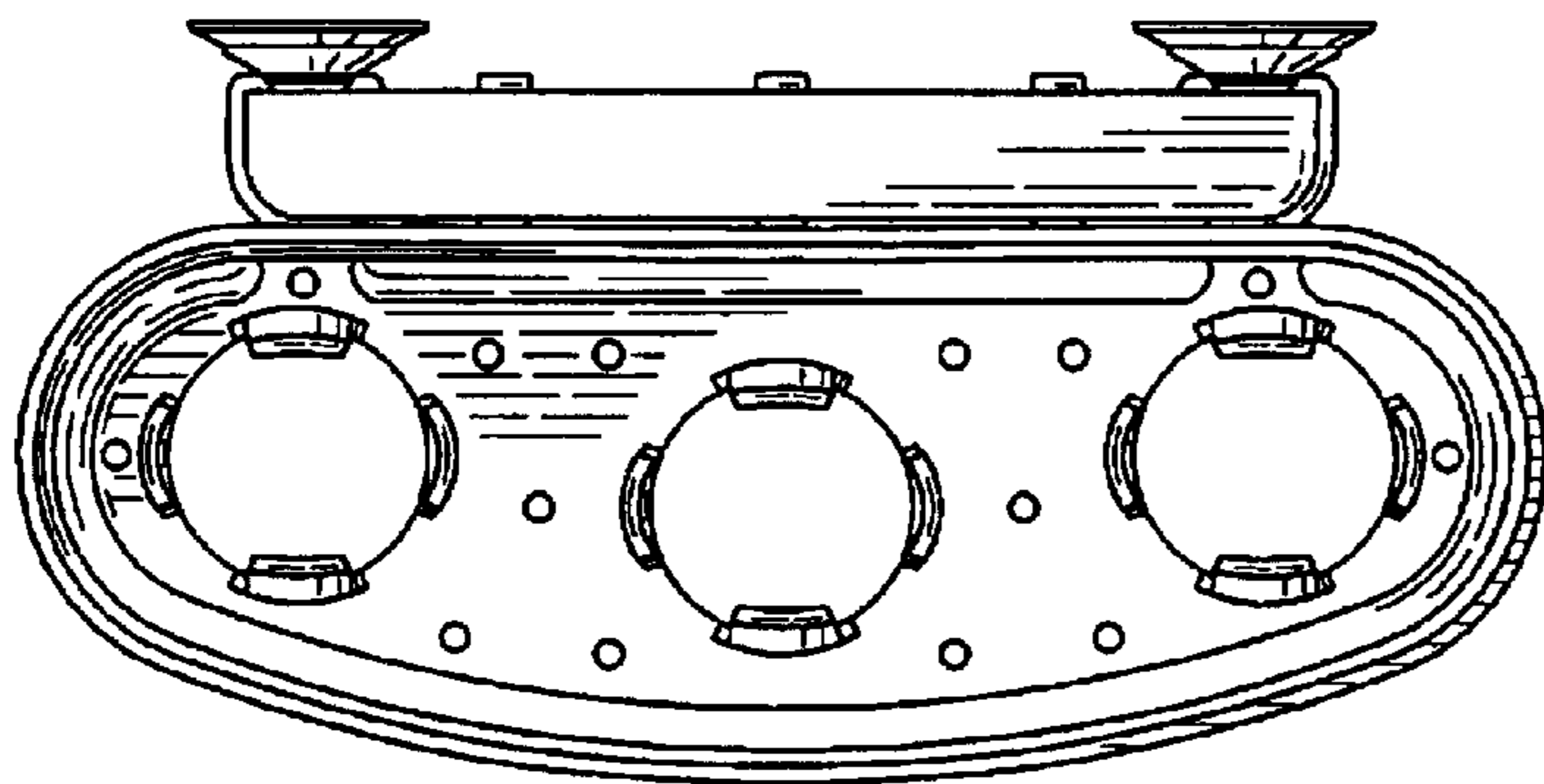


FIG. 3

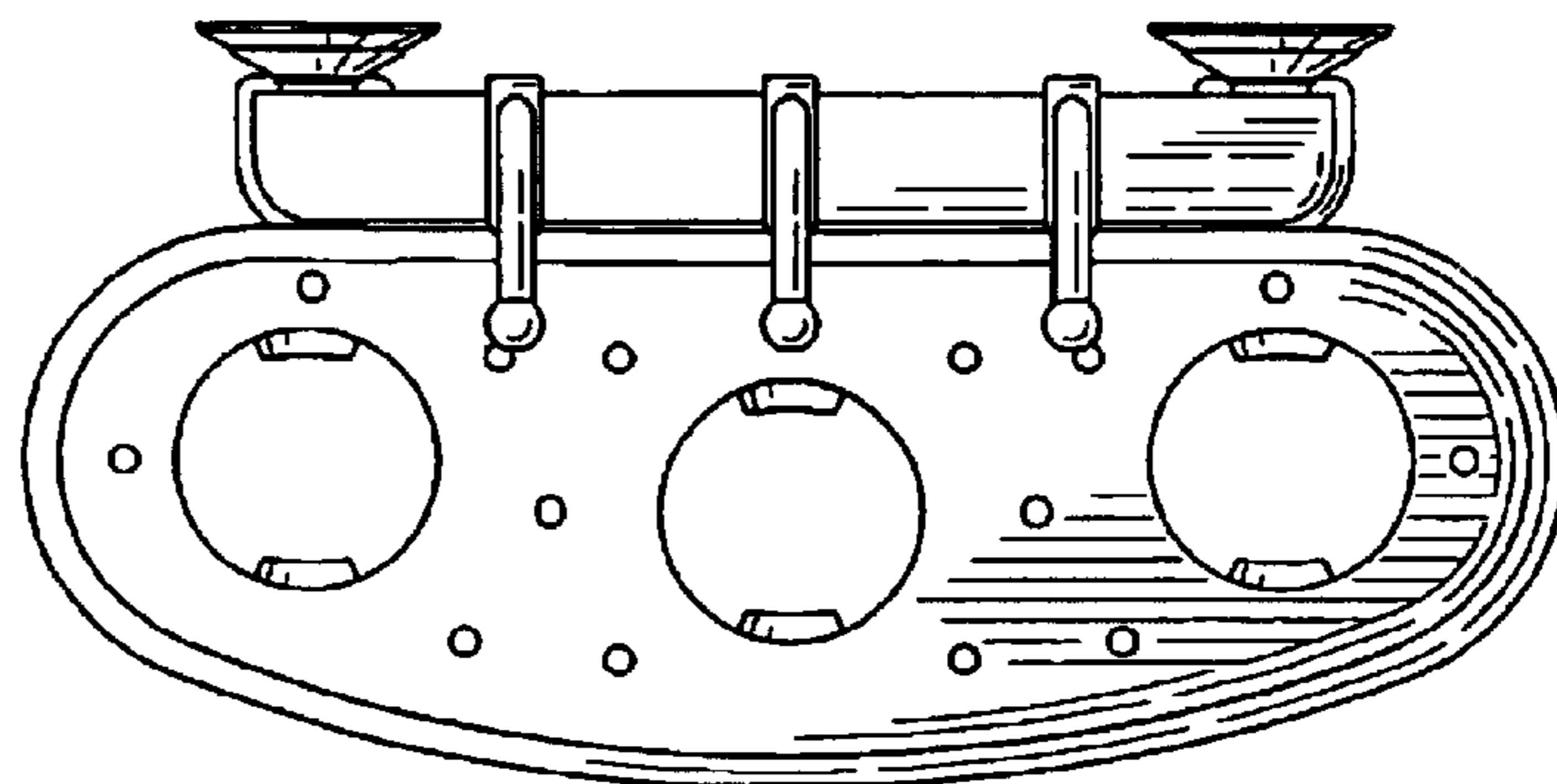


FIG. 4

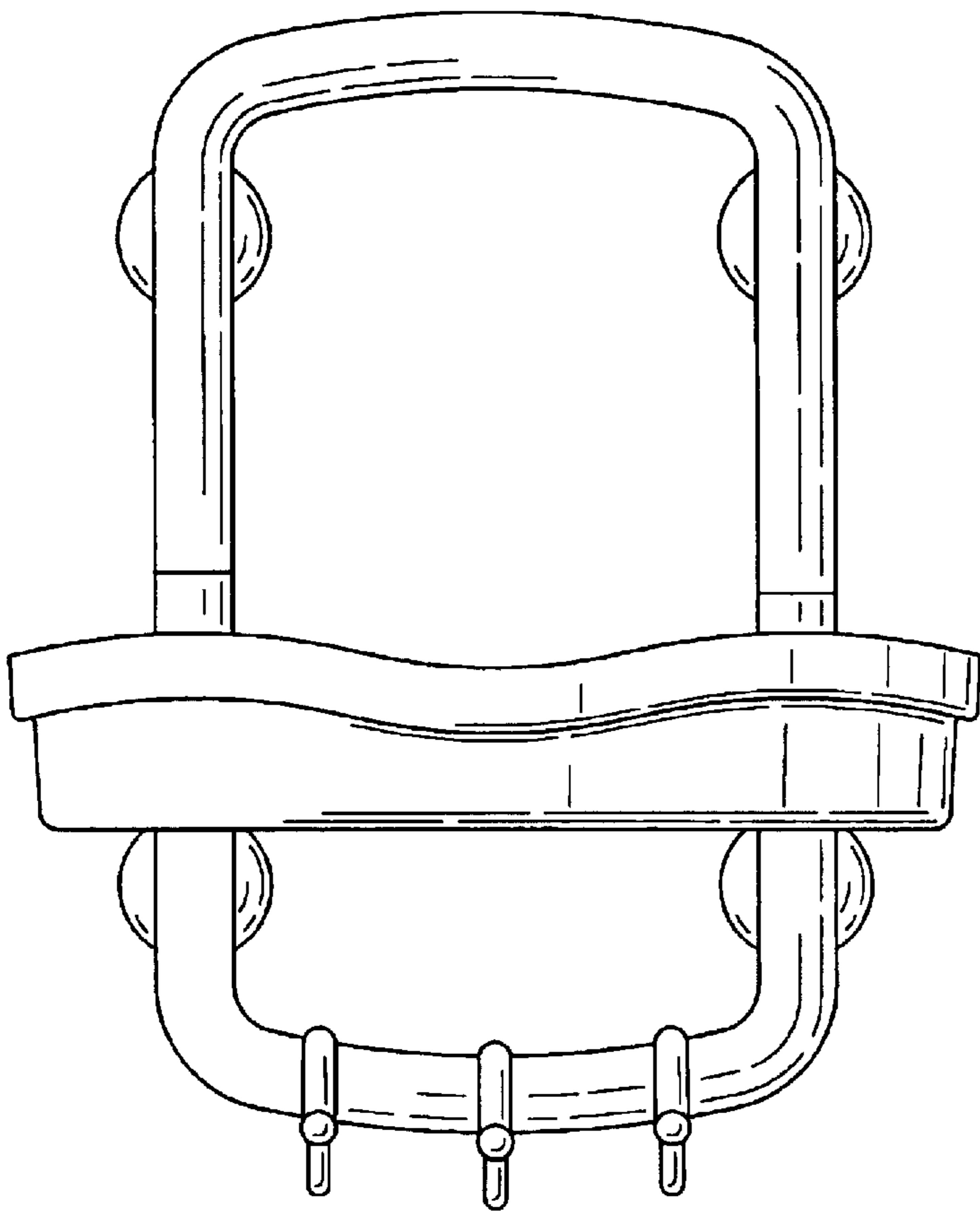


FIG. 6

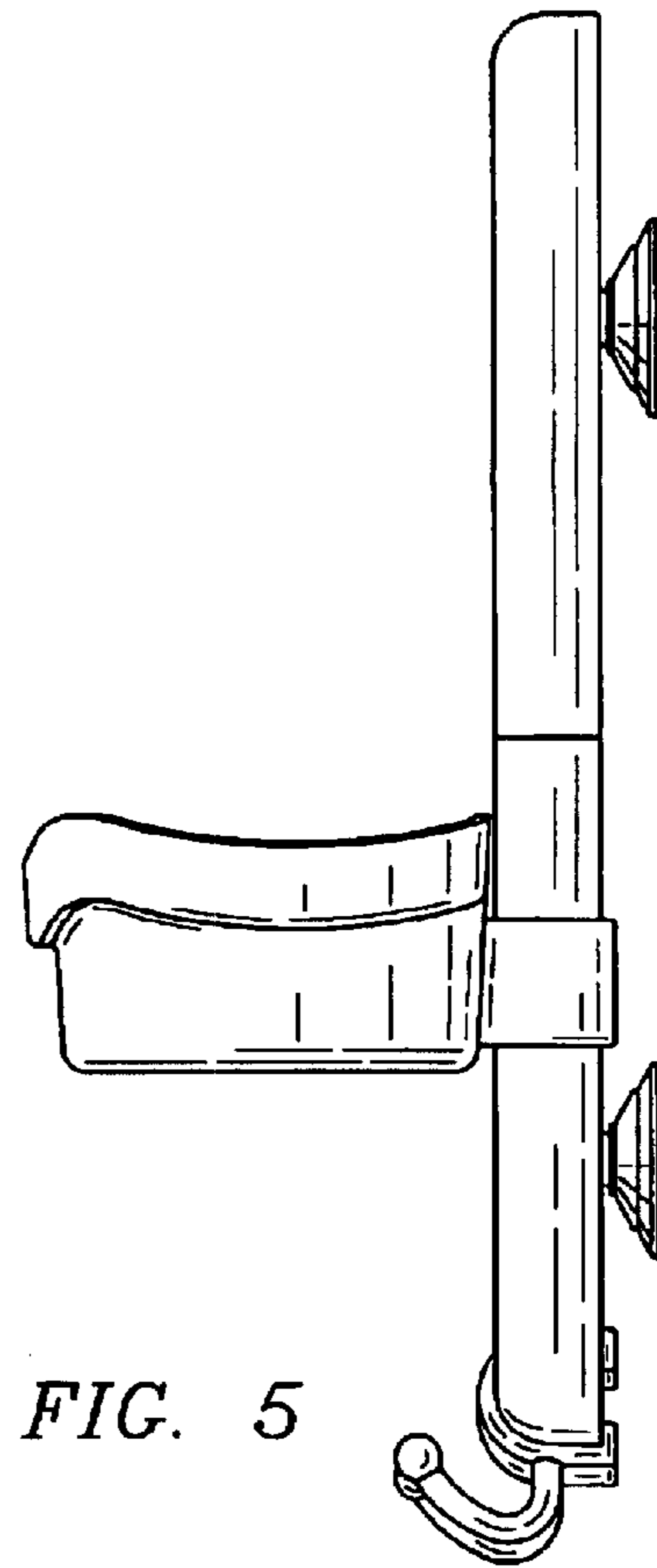


FIG. 5

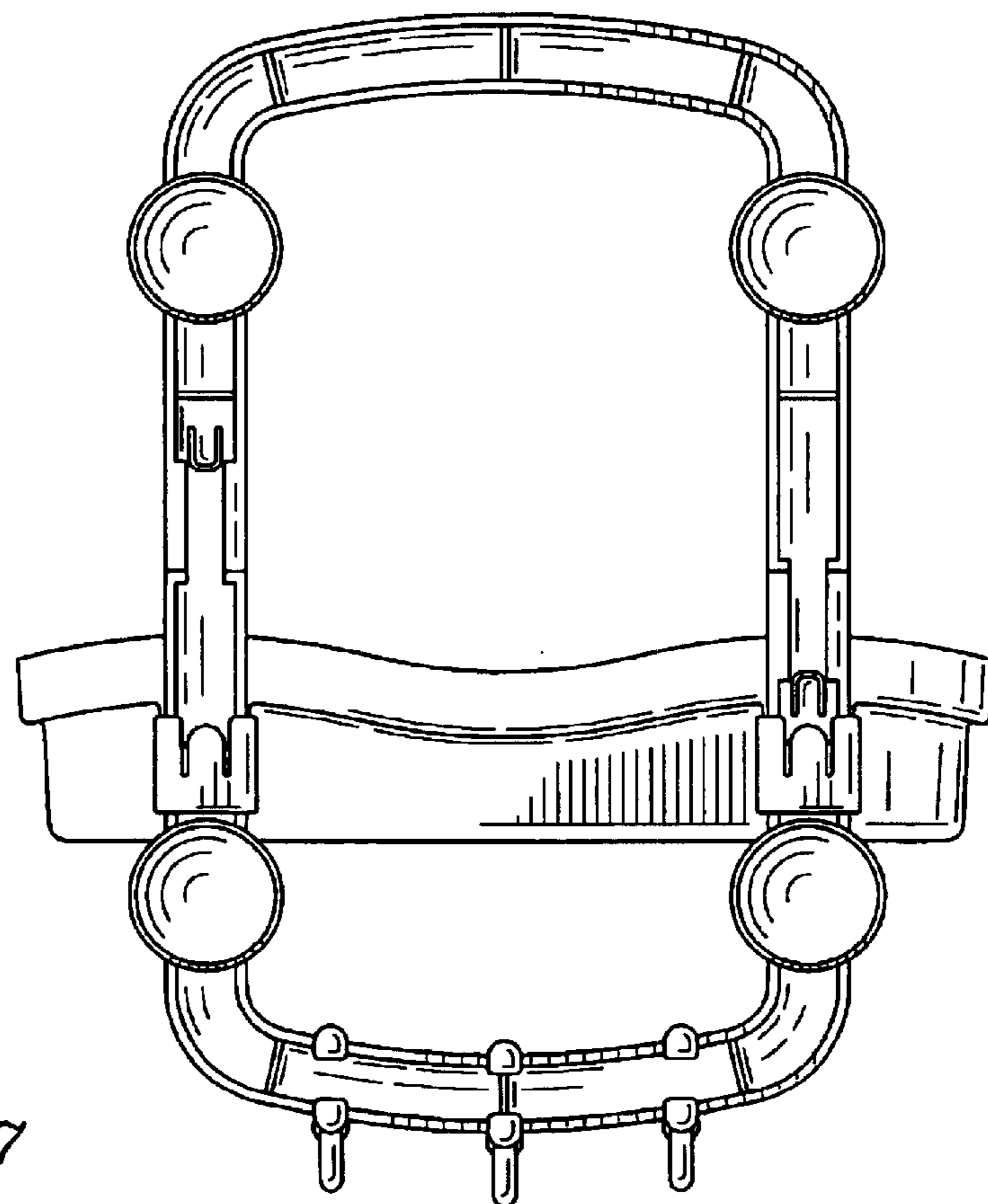


FIG. 7

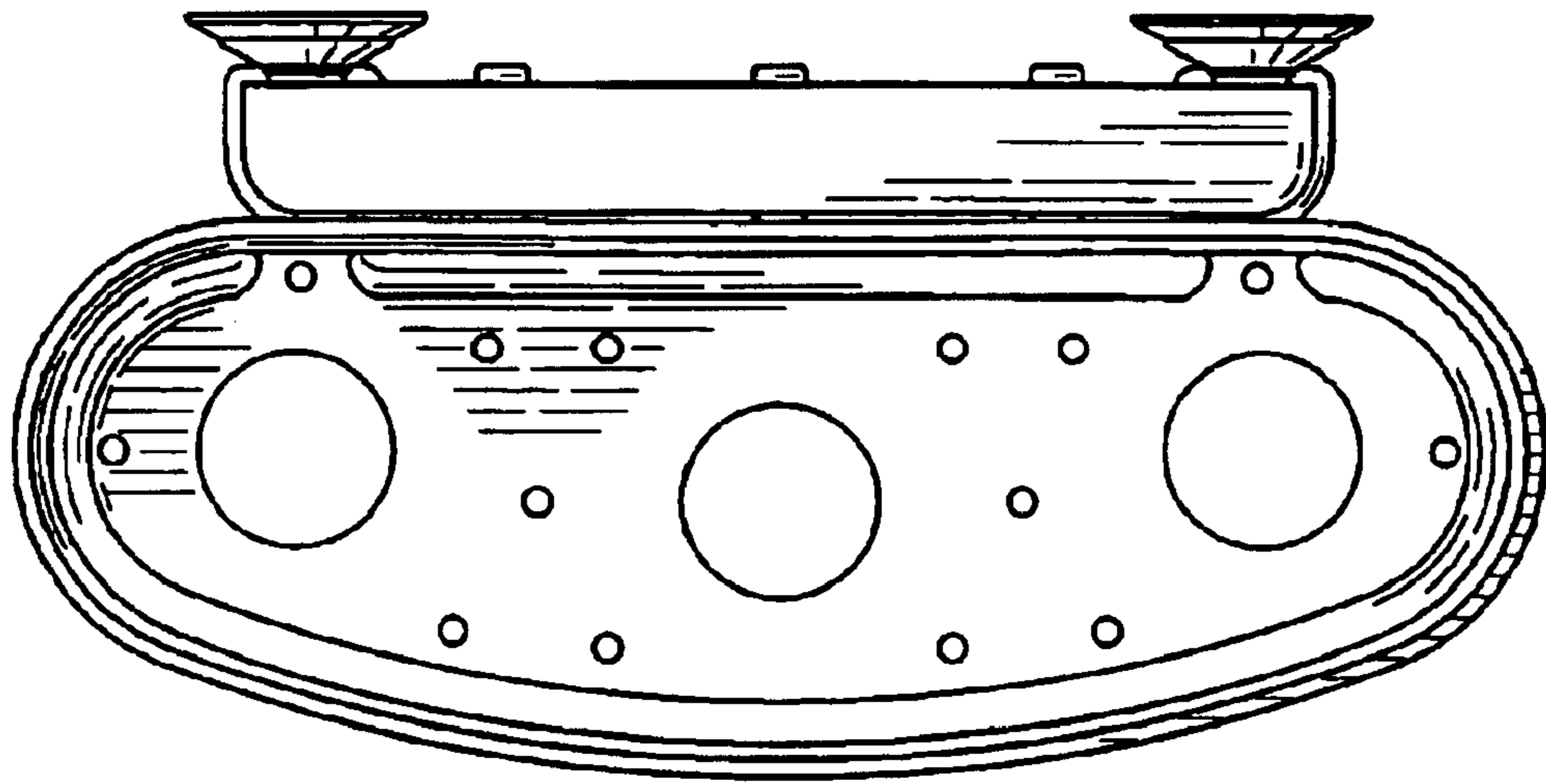


FIG. 8

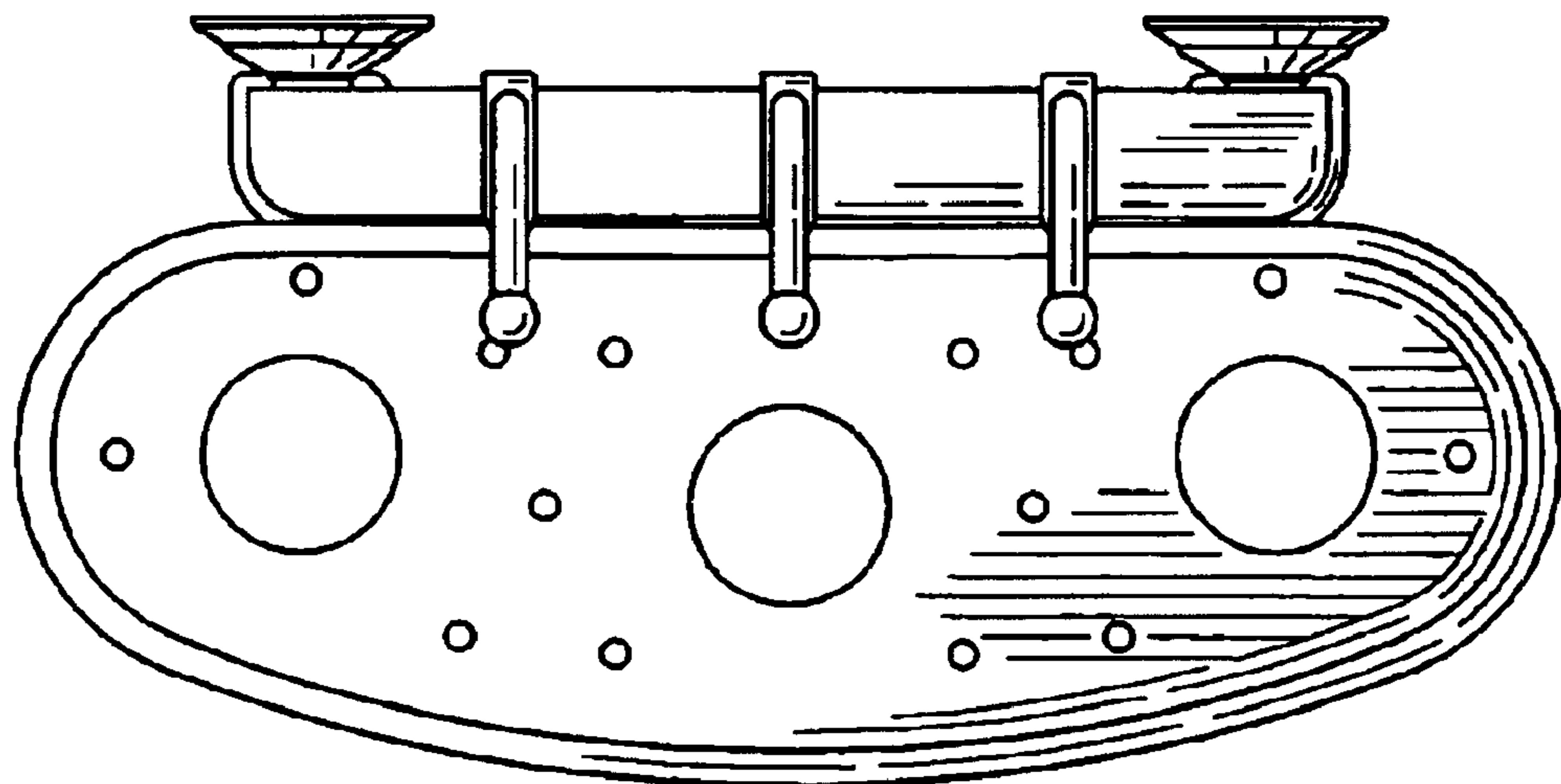


FIG. 9