



US00D494790S1

(12) **United States Design Patent** (10) **Patent No.:** **US D494,790 S**  
**True** (45) **Date of Patent:** **\*\* Aug. 24, 2004**

(54) **BACK AND SEAT CUSHIONS FOR A CHAIR**

(75) Inventor: **Alan L. True**, San Juan Capistrano, CA (US)

(73) Assignee: **True Seating Concepts, LLC (MU)**

(\*\*) Term: **14 Years**

(21) Appl. No.: **29/195,892**

(22) Filed: **Dec. 19, 2003**

(51) **LOC (7) Cl.** ..... **06-01**

(52) **U.S. Cl.** ..... **D6/500; D6/366; D6/502**

(58) **Field of Search** ..... D6/334, 335, 364, D6/365, 366, 367, 500, 501, 502; 297/411.2, 411.27

(56) **References Cited**

**U.S. PATENT DOCUMENTS**

D374,779 S	*	10/1996	Feldberg	.....	D6/366
D431,921 S	*	10/2000	Hammer	.....	D6/366
D441,993 S	*	5/2001	Lin	.....	D6/500
D463,173 S	*	9/2002	Chi	.....	D6/500

**OTHER PUBLICATIONS**

SoHo Today, p. 24, Office Star Products chair WD5730 shown top center, Nov./Dec. 2002.\*

\* cited by examiner

*Primary Examiner*—Gary D. Watson  
(74) *Attorney, Agent, or Firm*—Morland C. Fischer

(57) **CLAIM**

The ornamental design for back and seat cushions for a chair, as shown and described.

**DESCRIPTION**

FIG. 1 is a perspective view showing the top, left side and front of a chair having the back and seat cushions which form my new design, the broken lines of other parts of the chair in this and other figures being for illustrative purposes only and forming no part of the claimed design;

FIG. 2 is a perspective view showing the top, left side and rear thereof;

FIG. 3 is a front elevational view;

FIG. 4 is a right side elevational view thereof;

FIG. 5 is a rear elevational view thereof;

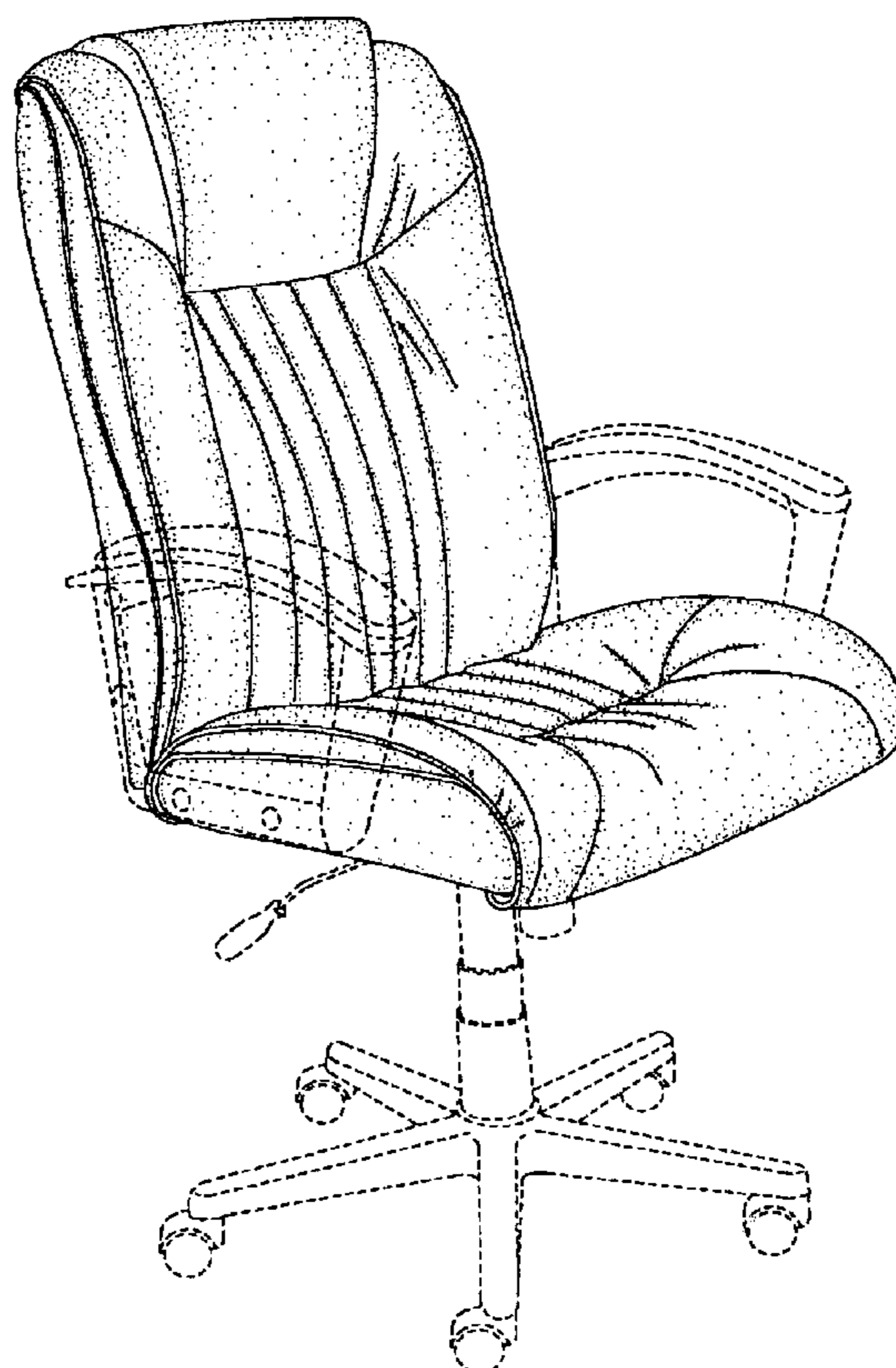
FIG. 6 is a left side elevational view thereof;

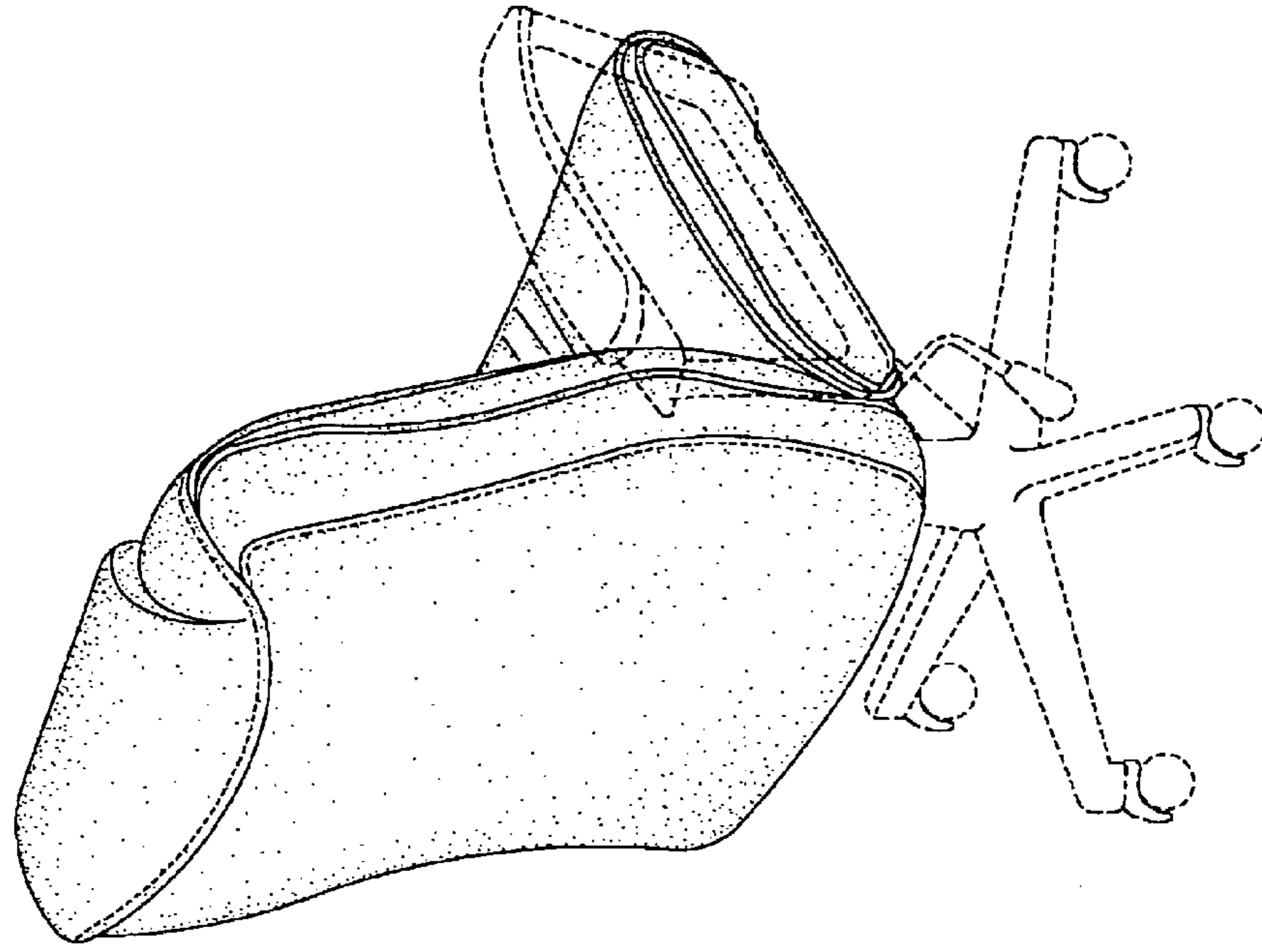
FIG. 7 is a top plan view thereof; and,

FIG. 8 is a bottom plan view thereof.

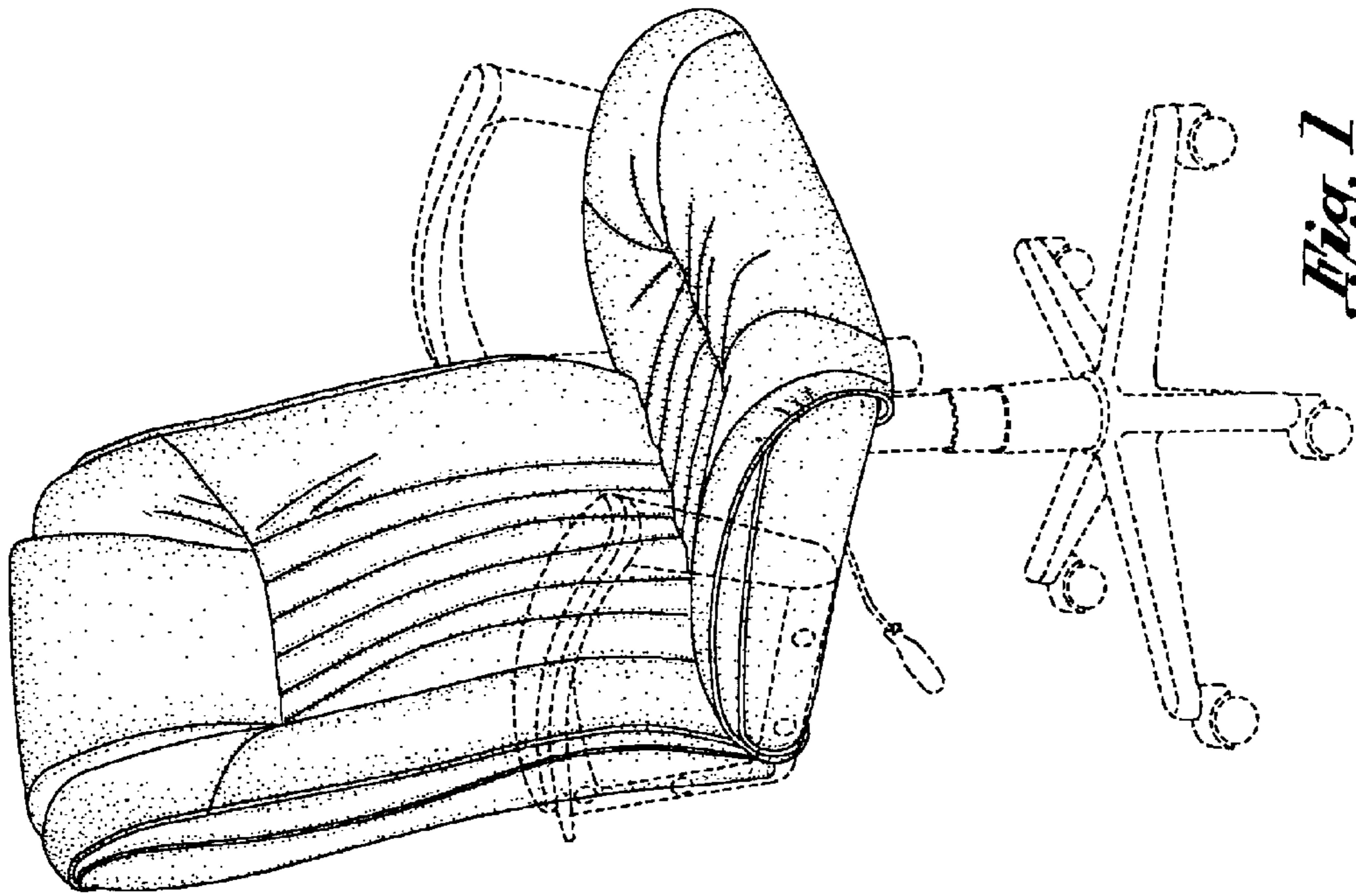
The short broken lines shown along seam lines on the back portions of the chair in FIGS. 2, 5 and 8 are understood to represent stitching.

**1 Claim, 4 Drawing Sheets**

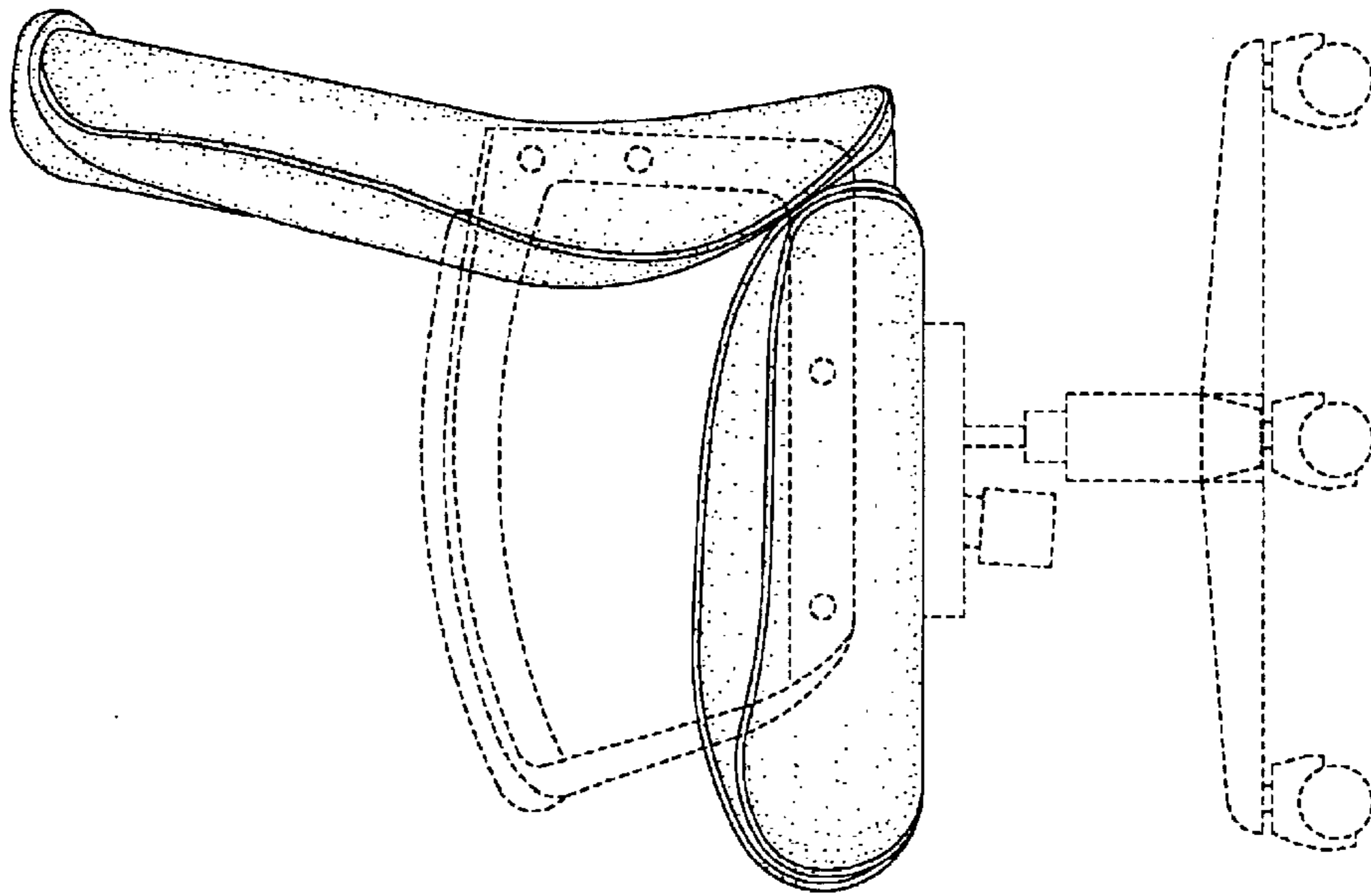




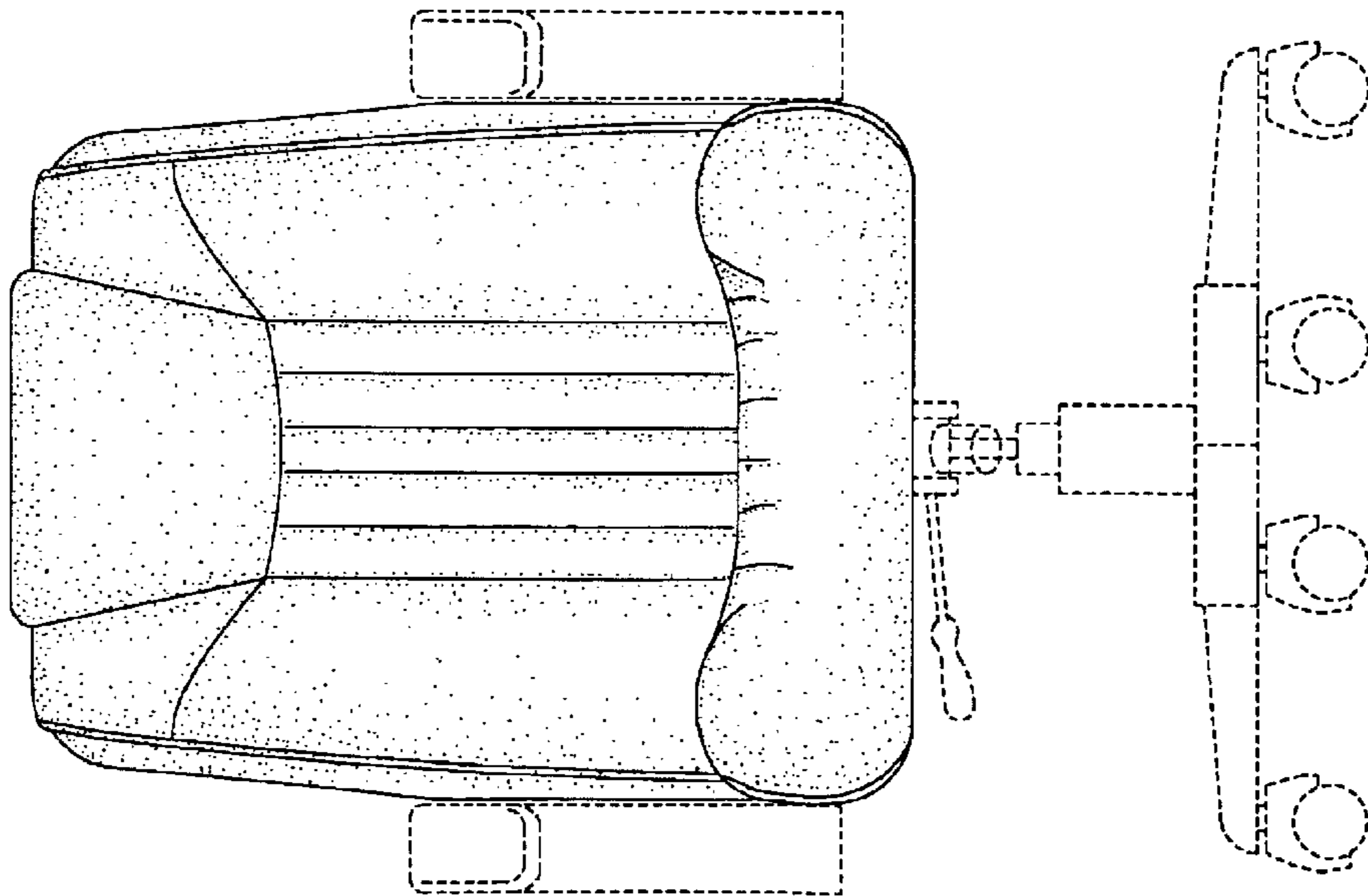
*Fig. 2*



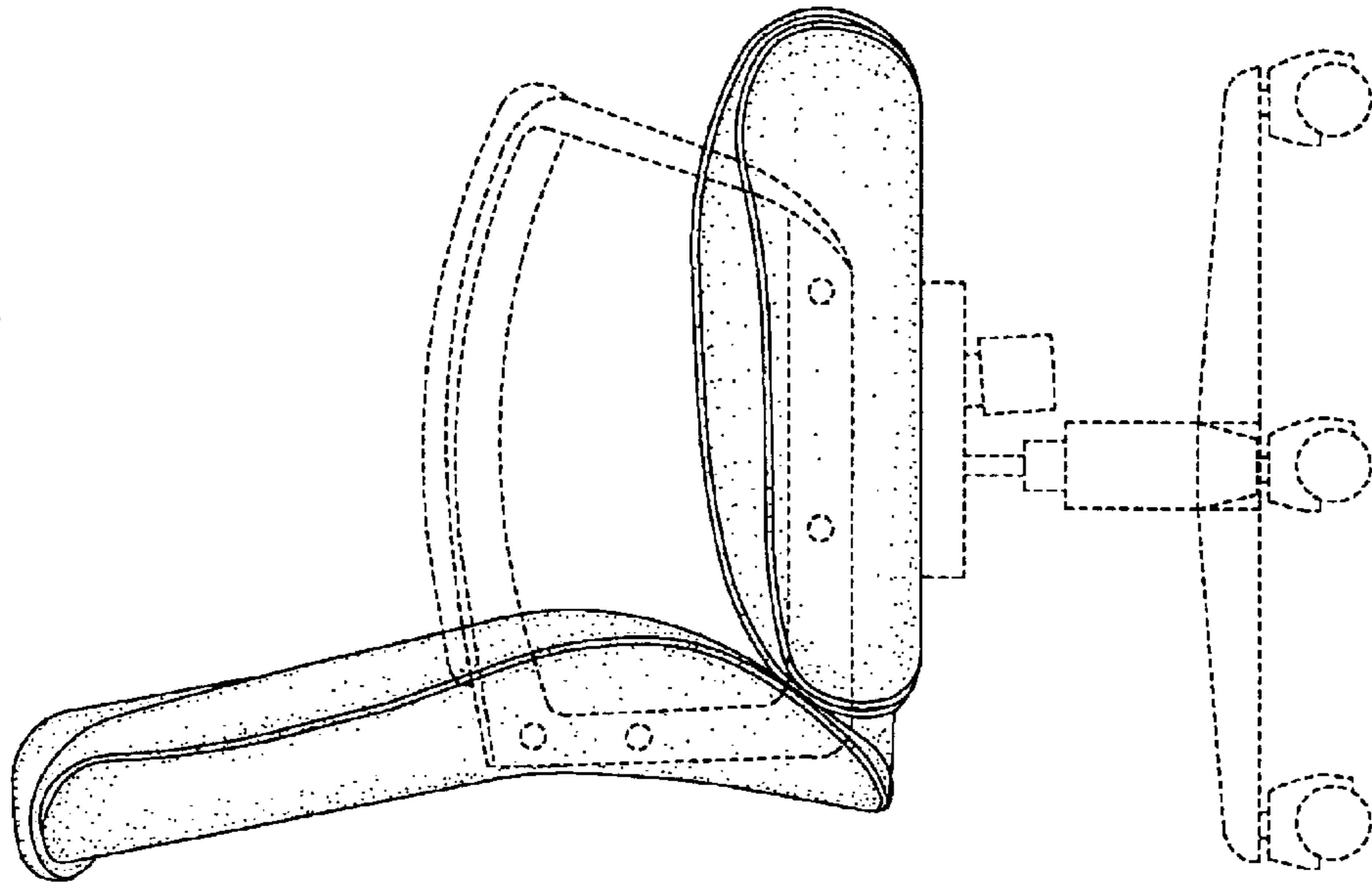
*Fig. 1*



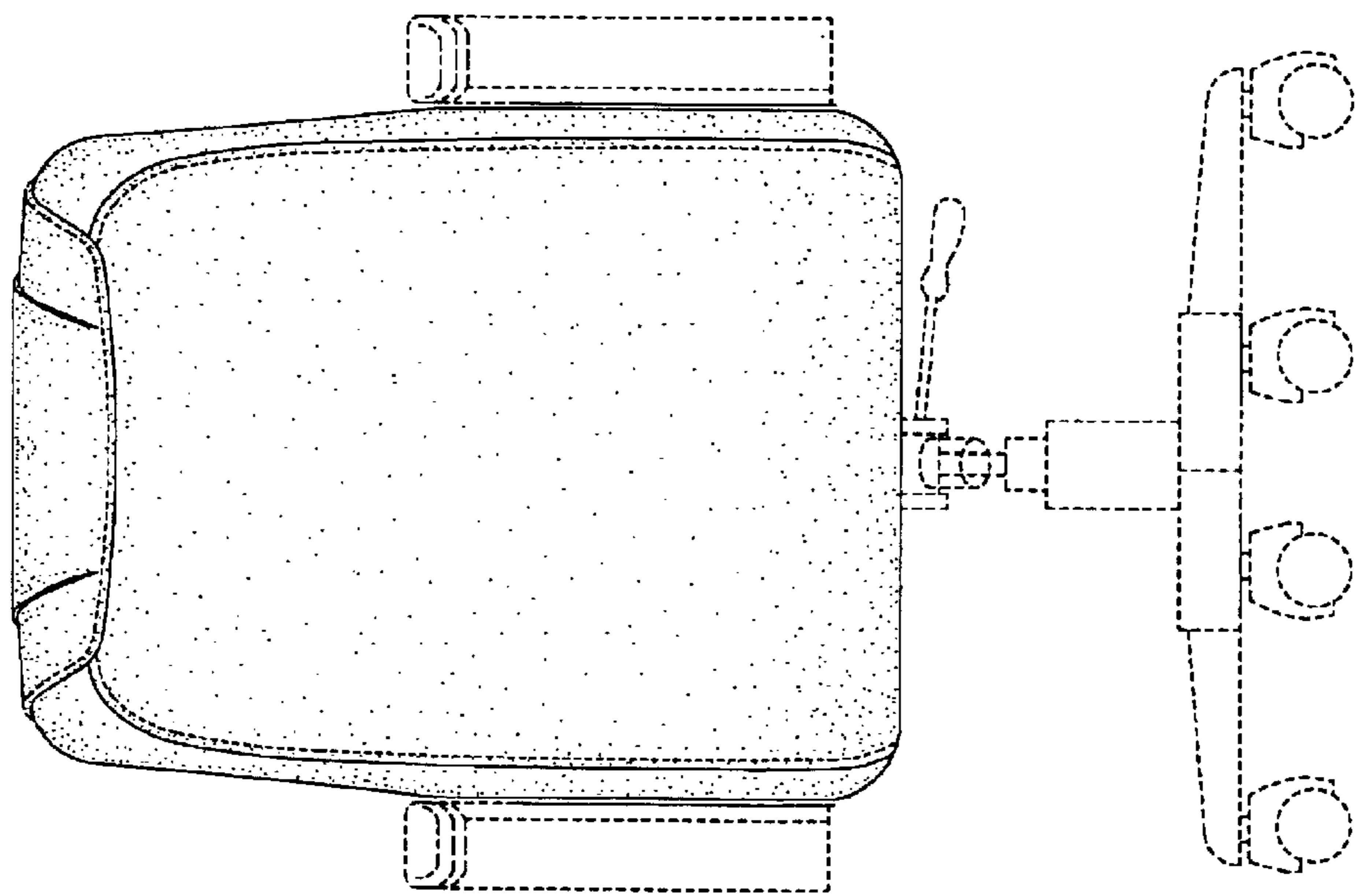
*Fig. 4*



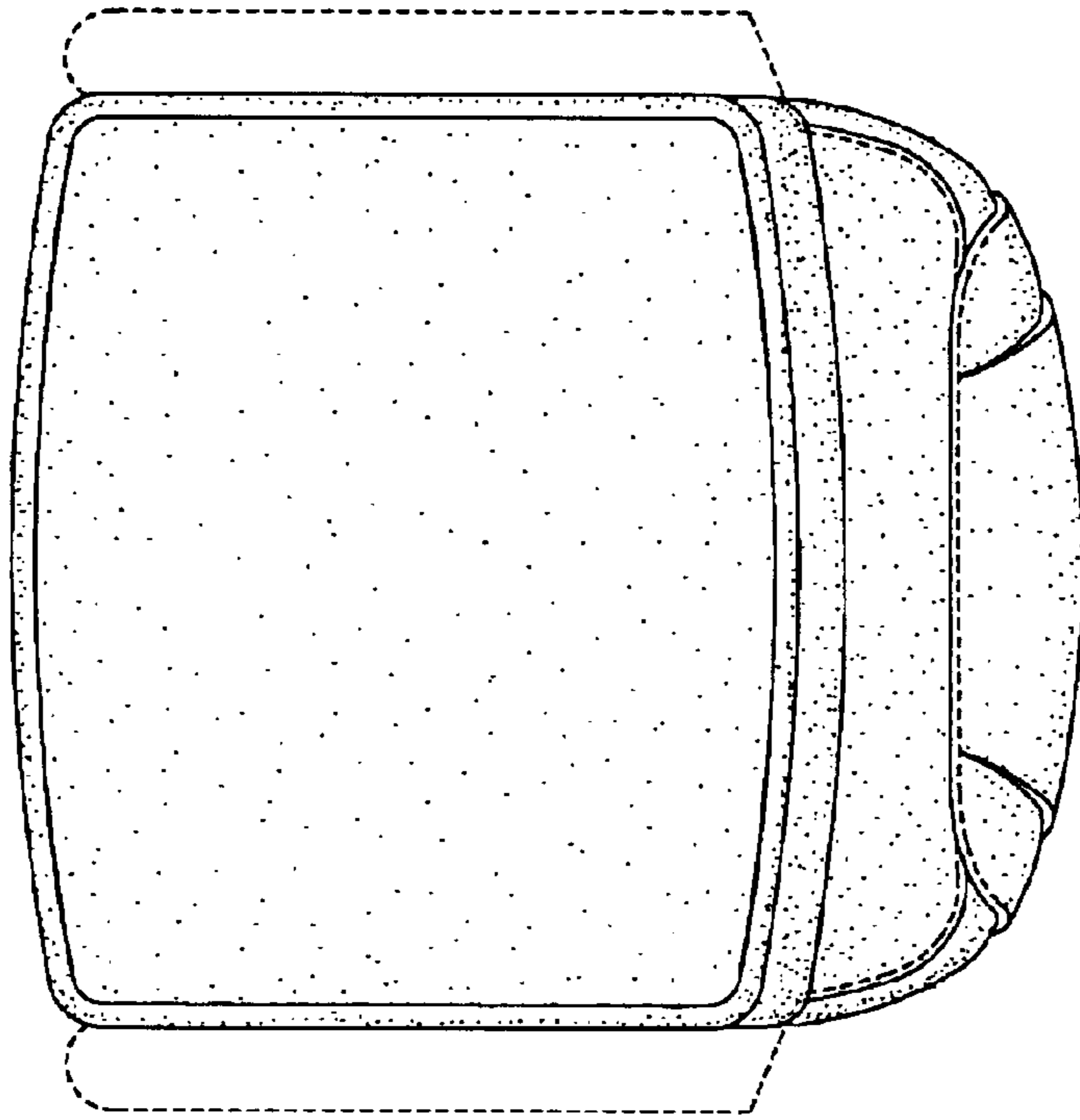
*Fig. 3*



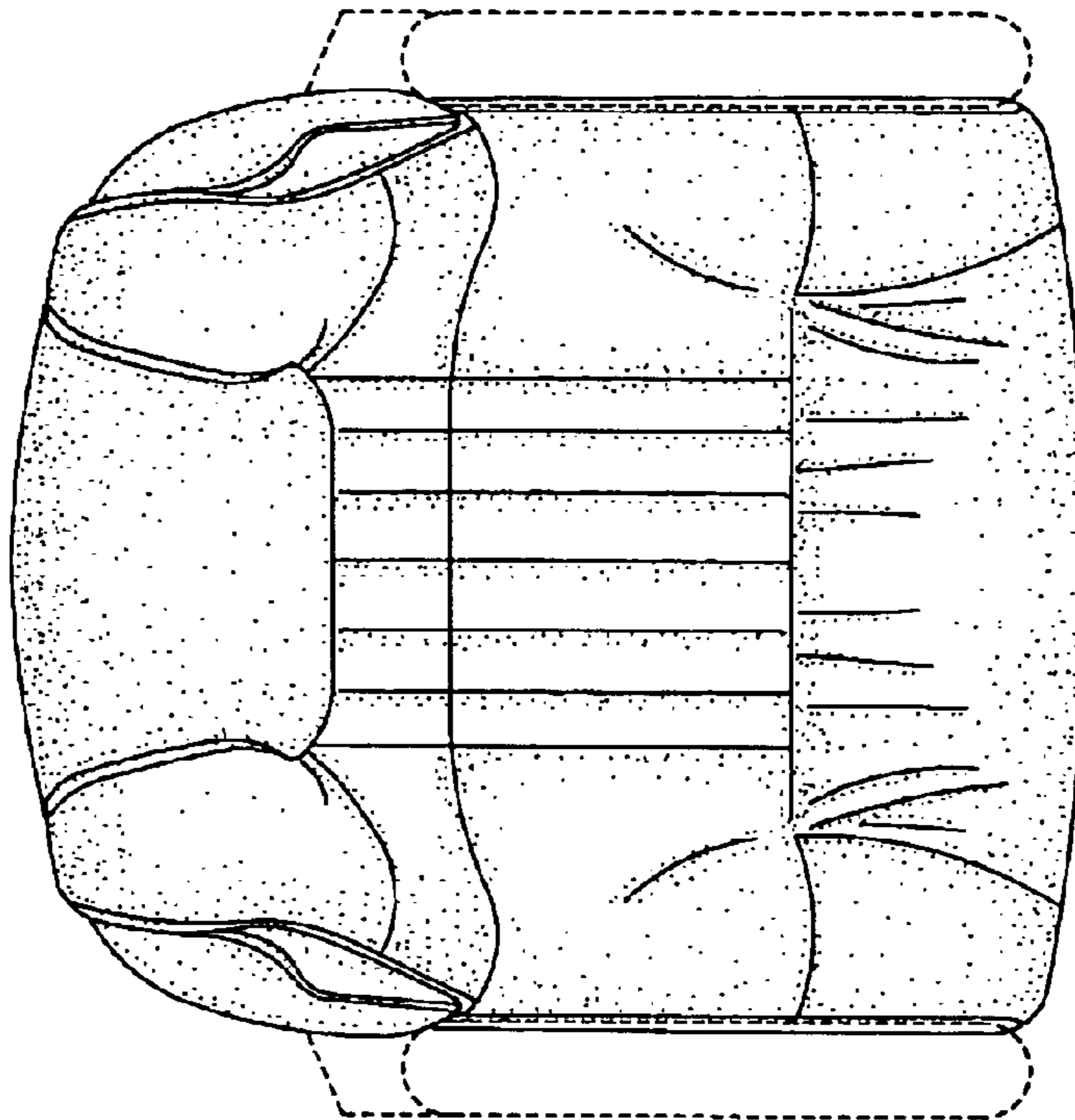
*Fig. 6*



*Fig. 5*



*Fig. 8*



*Fig. 7*