



US00D494789S1

(12) **United States Design Patent**
Brown

(10) **Patent No.:** **US D494,789 S**

(45) **Date of Patent:** **** Aug. 24, 2004**

(54) **SEAT**
(75) **Inventor:** **Allan Brown**, Wellington (NZ)
(73) **Assignee:** **Starena International Pty Ltd**, West Gosford (NZ)
(**) **Term:** **14 Years**

3,138,404 A * 6/1964 Newton 297/452.46 X
3,146,028 A * 8/1964 Raymond 297/DIG. 2 X
D368,399 S * 4/1996 Buffon D6/500
D409,407 S * 5/1999 Wang D6/375
D441,557 S * 5/2001 Glass D6/374
D456,164 S * 4/2002 Vanderiet et al. D6/374

* cited by examiner

(21) **Appl. No.:** **29/193,151**
(22) **Filed:** **Nov. 4, 2003**

Primary Examiner—Gary D. Watson
(74) *Attorney, Agent, or Firm*—Debra Z. Anderson; Eckert Seamans Cherin & Mellott, LLC

Related U.S. Application Data

(62) Division of application No. 29/158,285, filed on Apr. 2, 2002, now Pat. No. Des. 487,857.

(57) **CLAIM**

The ornamental design for a seat, as shown and described.

(30) **Foreign Application Priority Data**

Oct. 31, 2001 (NZ) 402132
Oct. 31, 2001 (NZ) 402133

DESCRIPTION

(51) **LOC (7) Cl.** **06-01**
(52) **U.S. Cl.** **D6/500; D6/502**
(58) **Field of Search** D6/334, 335, 374,
D6/375, 379, 380, 500, 501, 502; 297/445.1,
452.46, DIG. 2

FIG. 1 is a perspective view from the front of a seat of the present invention, having holes in the seat and back rest.
FIG. 2 is a front elevational view of the seat of FIG. 1.
FIG. 3 is a left side elevational view of the seat of FIG. 1 with the right side elevational view being a mirror image thereof.
FIG. 4 is a rear perspective view of the seat of FIG. 1.
FIG. 5 is a front elevation view of the seat of FIG. 1.
FIG. 6 is a bottom plan view of a seat of FIG. 1; and,
FIG. 7 is a bottom perspective view of the seat of FIG. 1.

(56) **References Cited**

U.S. PATENT DOCUMENTS

2,993,733 A * 7/1961 Pinkham D6/374 X

1 Claim, 7 Drawing Sheets

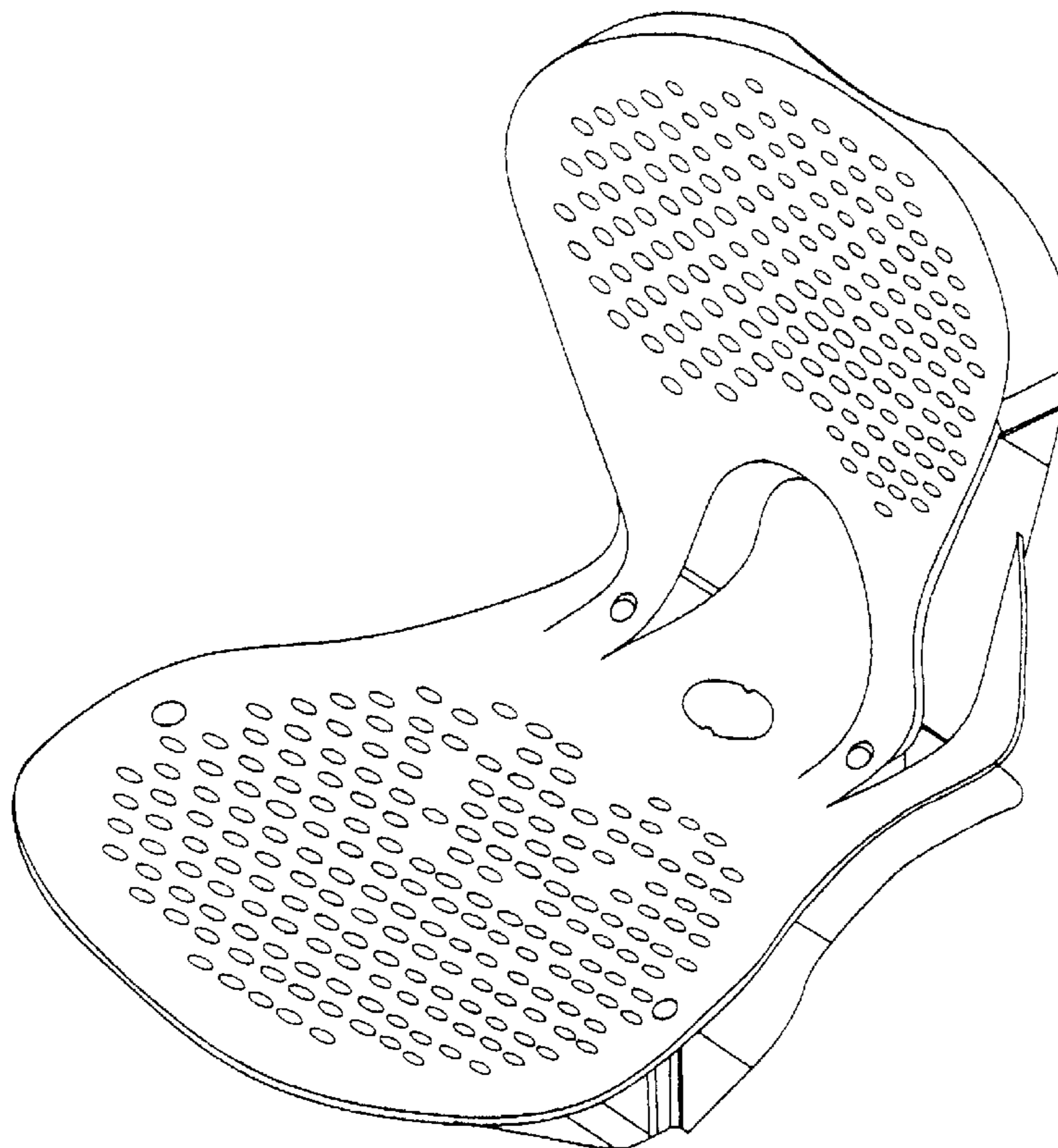


Figure 1

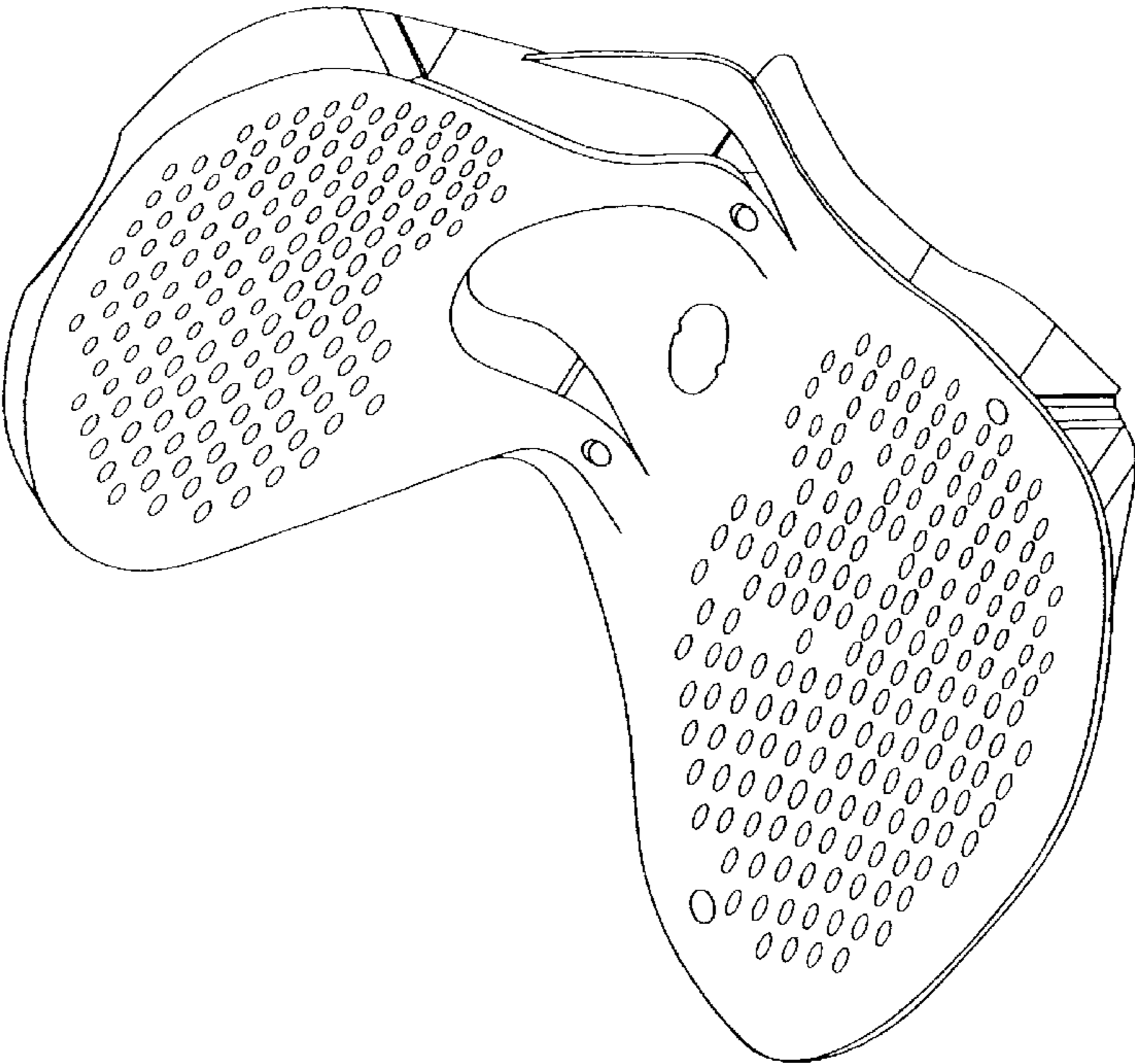


Figure 2

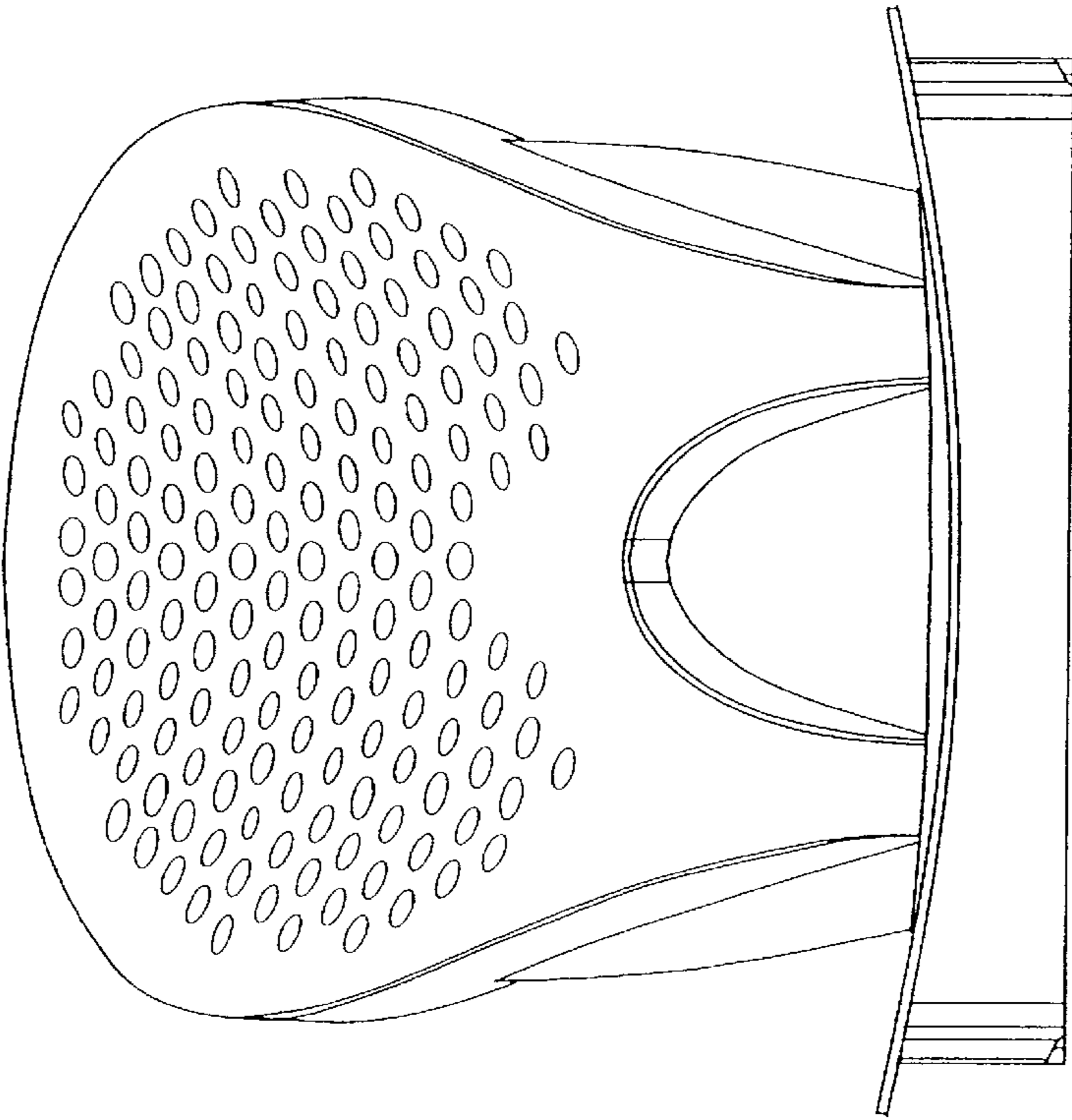


Figure 3

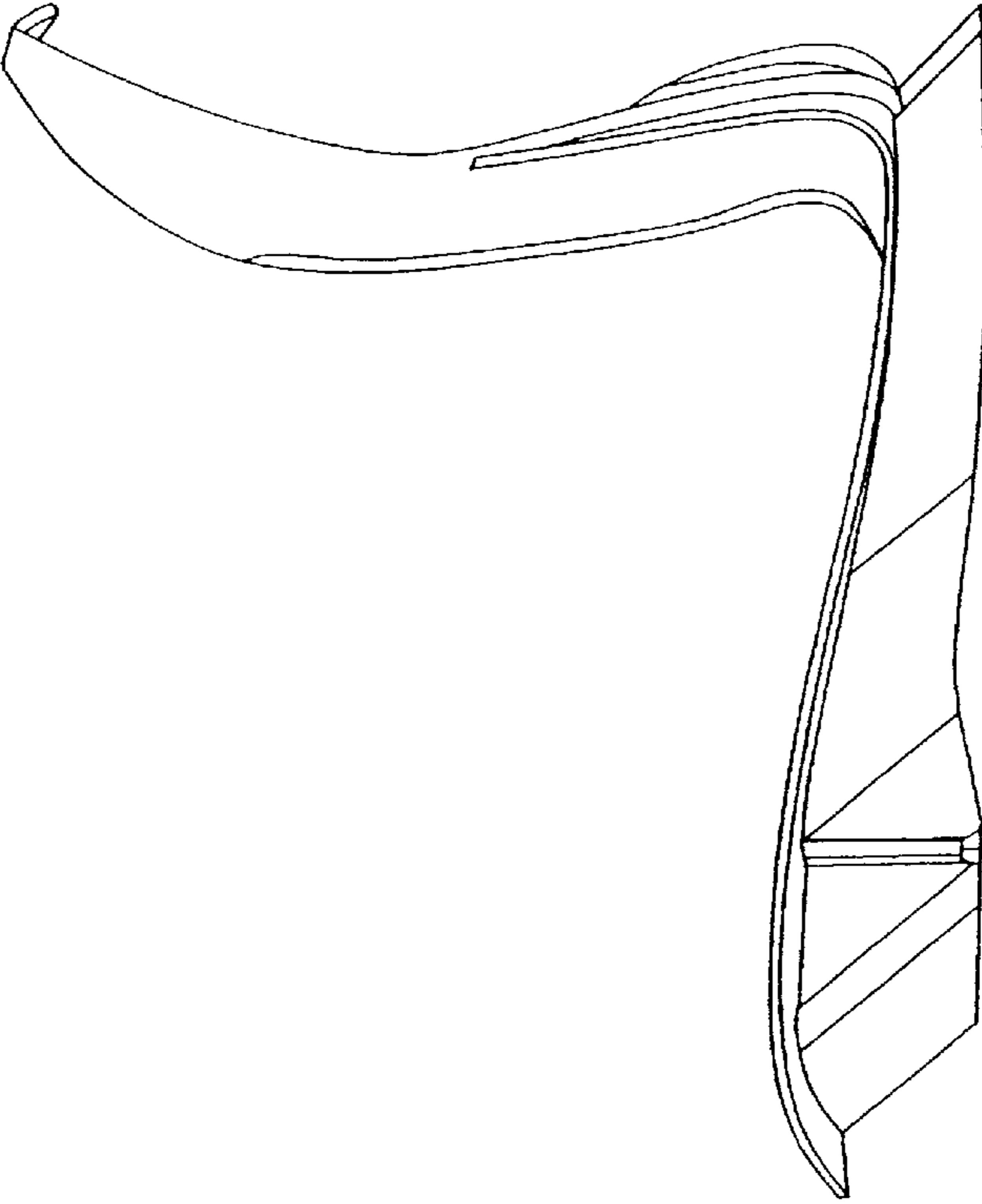


Figure 4

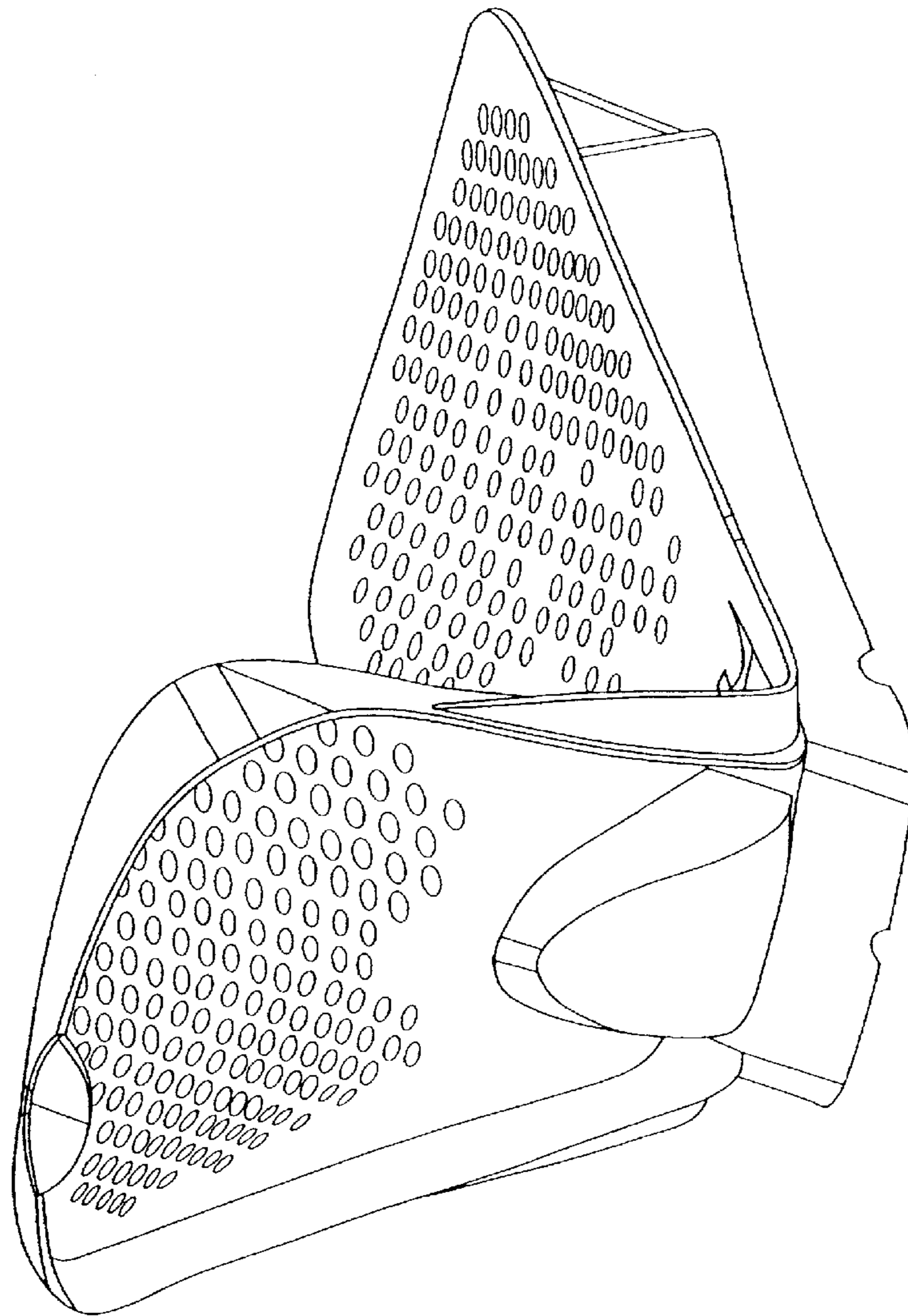


Figure 5

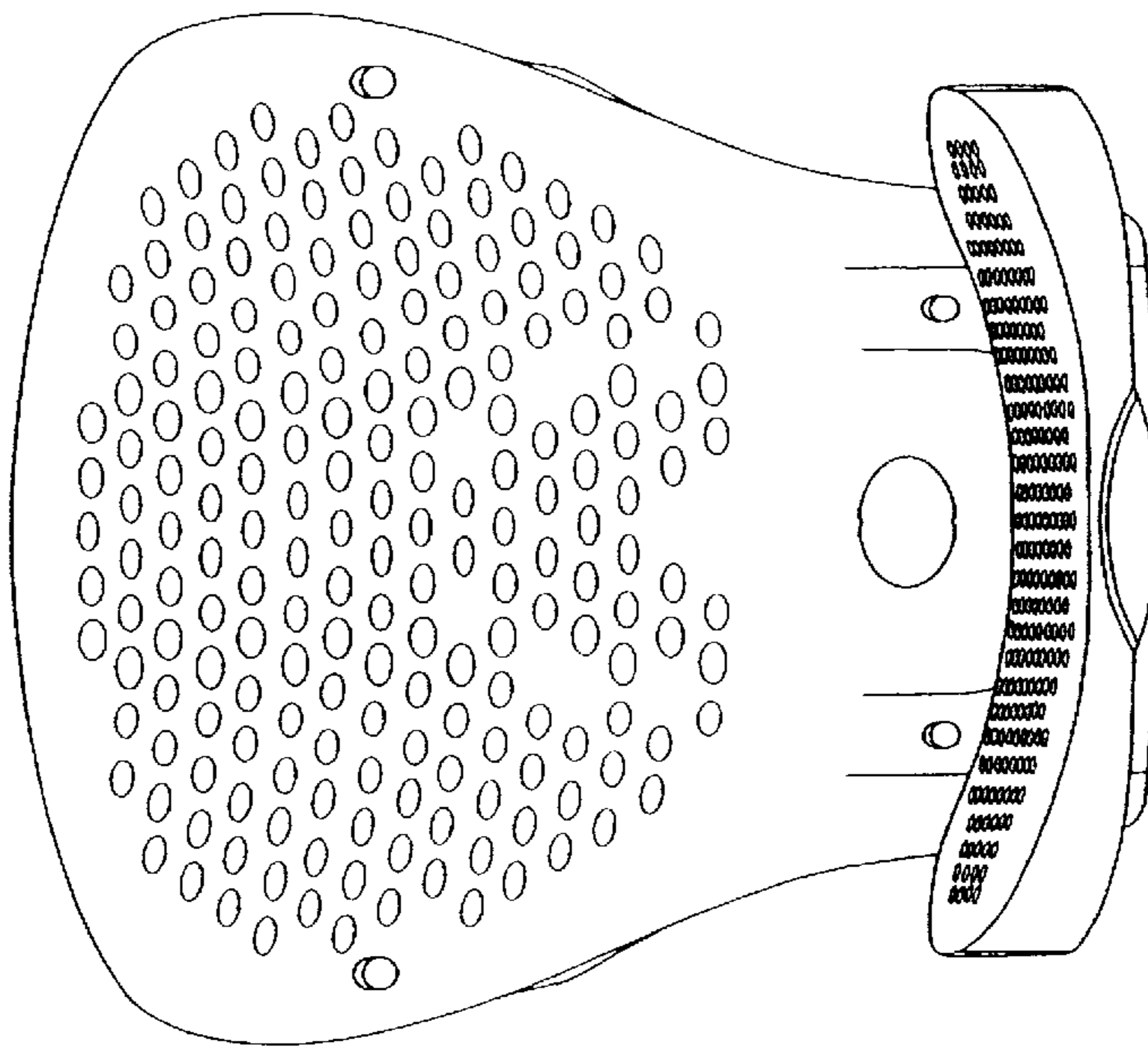


Figure 6

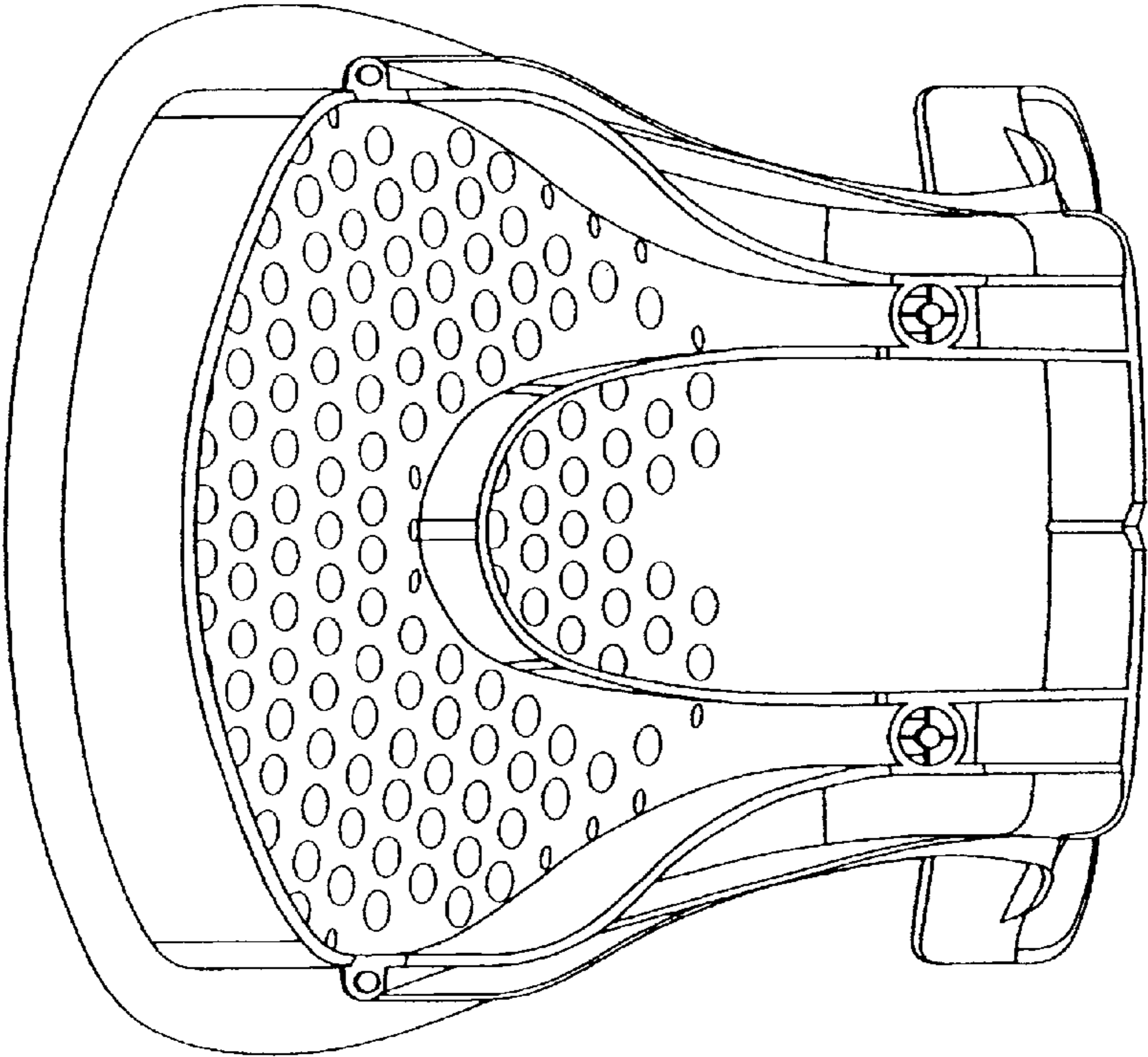


Figure 7

