

US00D494787S1

(12) **United States Design Patent**
Fu

(10) **Patent No.:** **US D494,787 S**

(45) **Date of Patent:** **** Aug. 24, 2004**

(54) **BASE STAND FOR A SEAT**

D482,217 S * 11/2003 Lin D6/498
D487,359 S * 3/2004 Giugiaro D6/366

(76) Inventor: **Cheng Fu**, c/o PMB#1008, 1867
Ygnacio Valley Rd., Walnut Creek, CA
(US) 94598

* cited by examiner

(**) Term: **14 Years**

Primary Examiner—Gary D. Watson
(74) *Attorney, Agent, or Firm*—Leong C. Lei

(21) Appl. No.: **29/191,821**

(57) **CLAIM**

(22) Filed: **Oct. 15, 2003**

The ornamental design for a base stand for a seat, as shown and described.

(51) **LOC (7) Cl.** **06-06**

DESCRIPTION

(52) **U.S. Cl.** **D6/498; D6/366**

(58) **Field of Search** D6/334, 335, 364,
D6/365, 366, 367, 498, 500, 501, 502;
248/188.1, 188.7, 188.8, 188.9; 297/344.18,
463.1

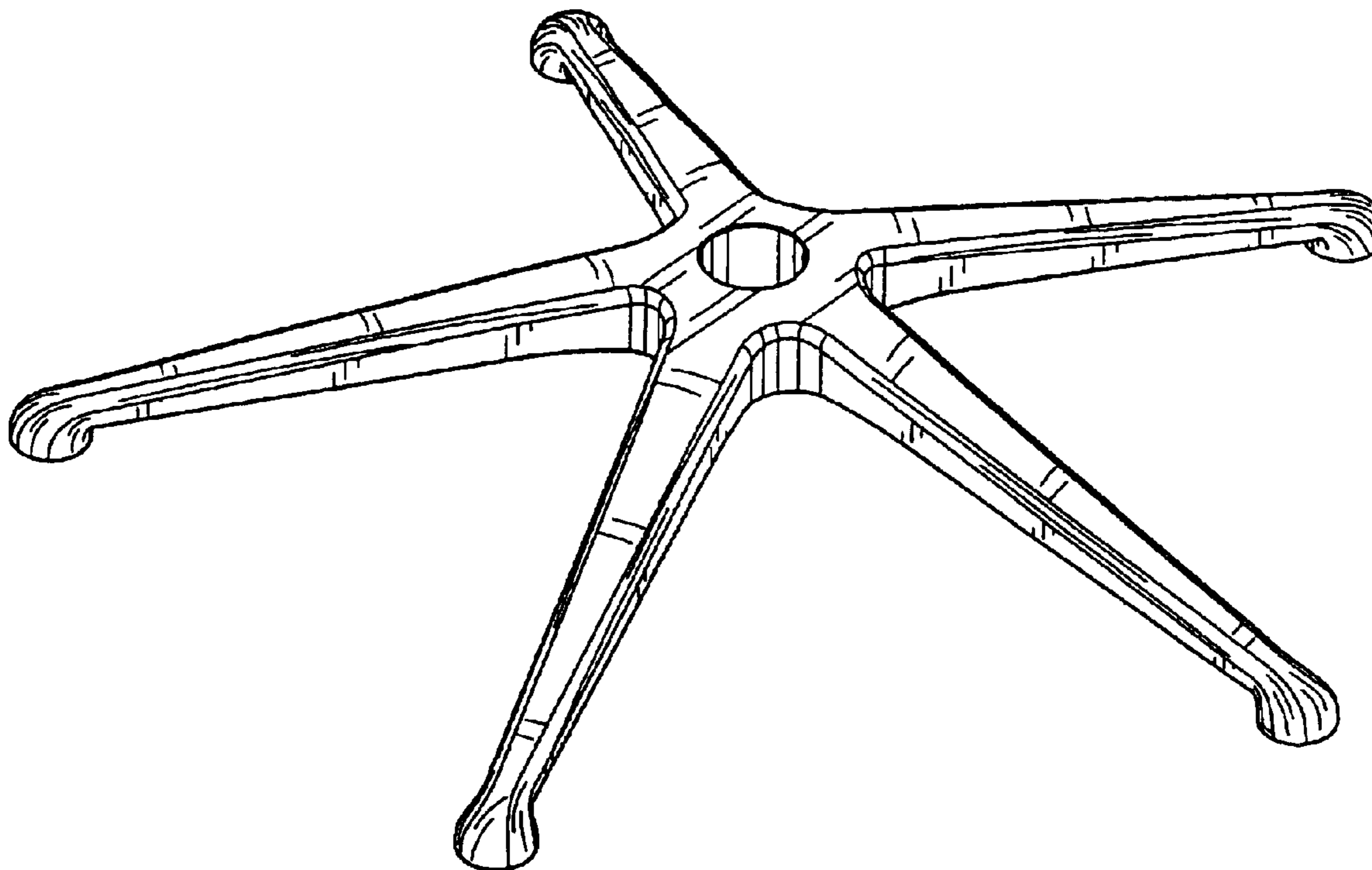
FIG. 1 is front perspective view of a base stand for a seat showing my new design;
FIG. 2 is a front side elevation view thereof;
FIG. 3 is a rear side elevation view thereof;
FIG. 4 is a left side elevation view thereof;
FIG. 5 is a right side elevation view thereof;
FIG. 6 is a top plan view thereof;
FIG. 7 is a bottom plan view thereof; and,
FIG. 8 is a bottom perspective view thereof.

(56) **References Cited**

U.S. PATENT DOCUMENTS

D430,982 S * 9/2000 Kuo D6/498
D471,039 S * 3/2003 Chen D6/498
D472,079 S * 3/2003 Chen D6/498

1 Claim, 6 Drawing Sheets



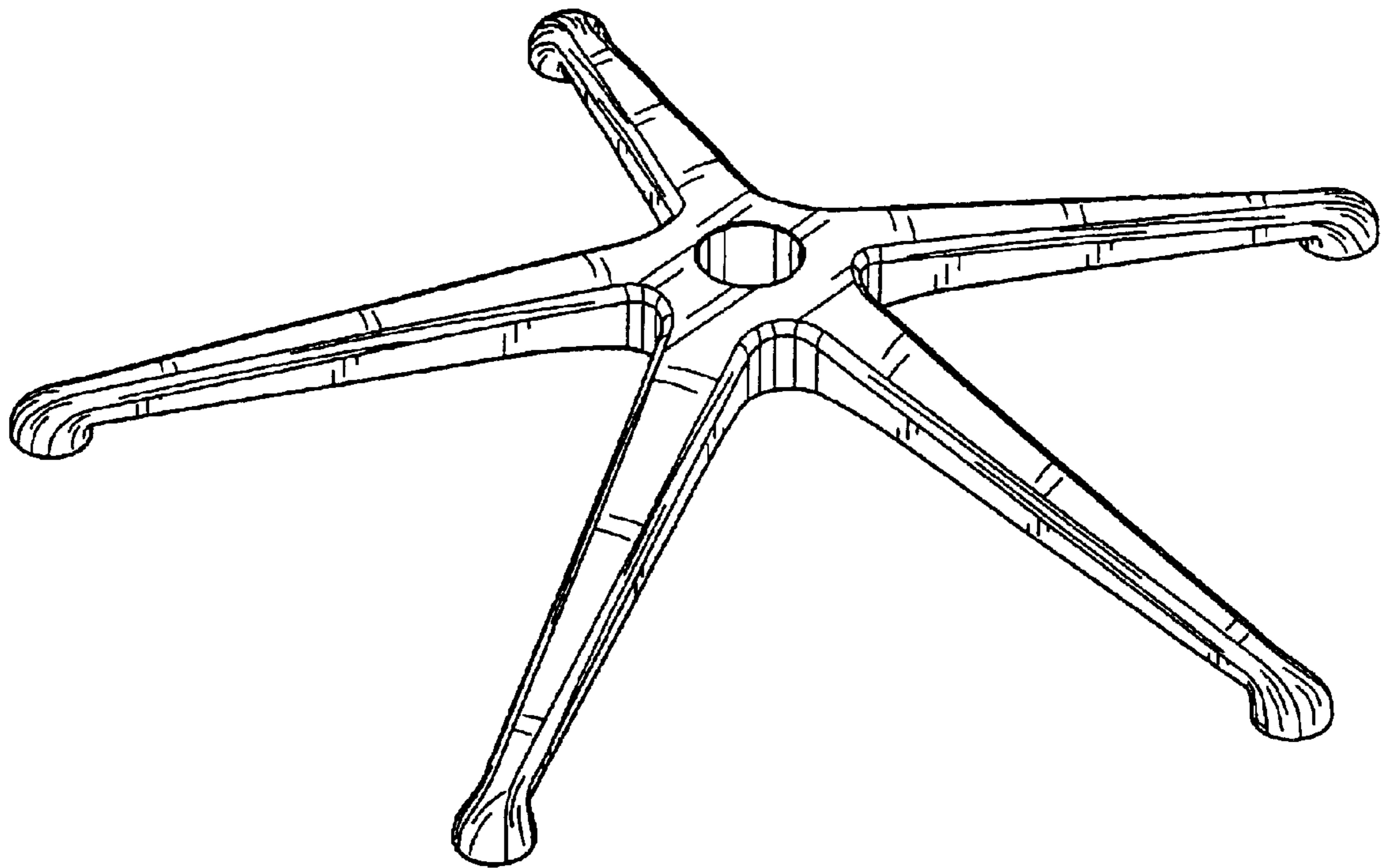


FIG. 1

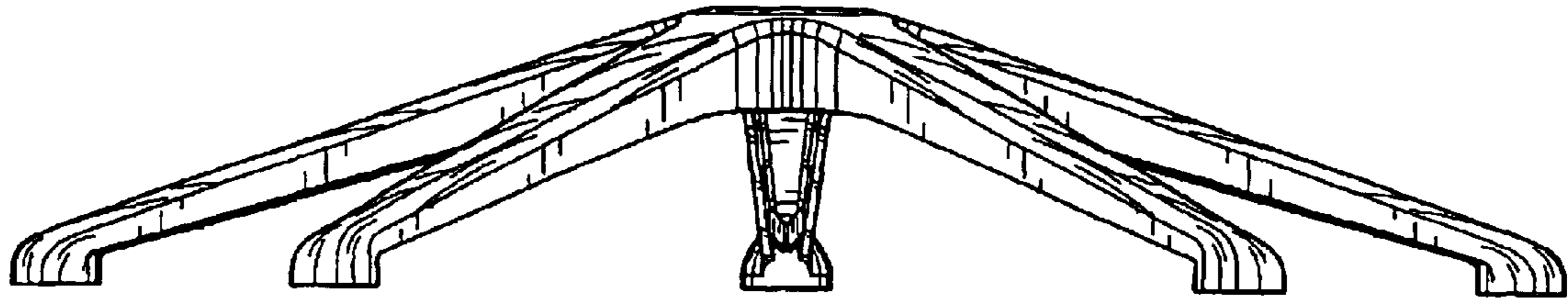


FIG. 2

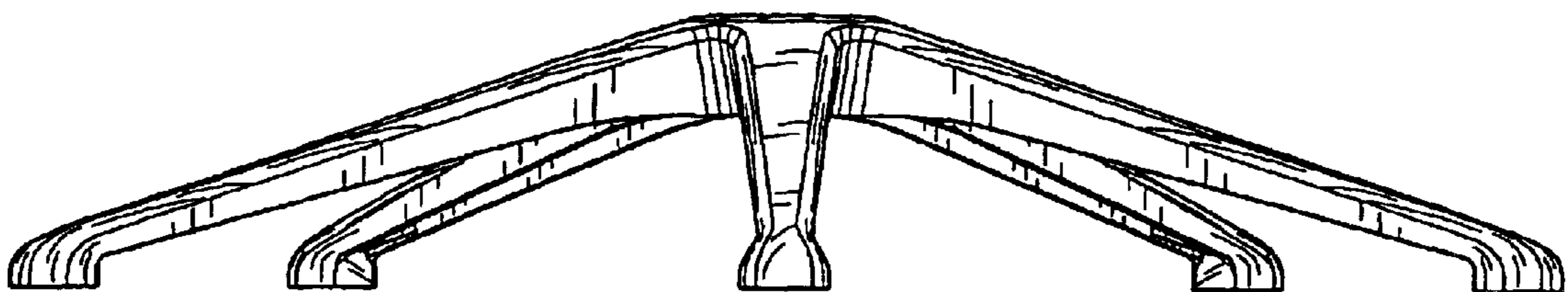


FIG. 3

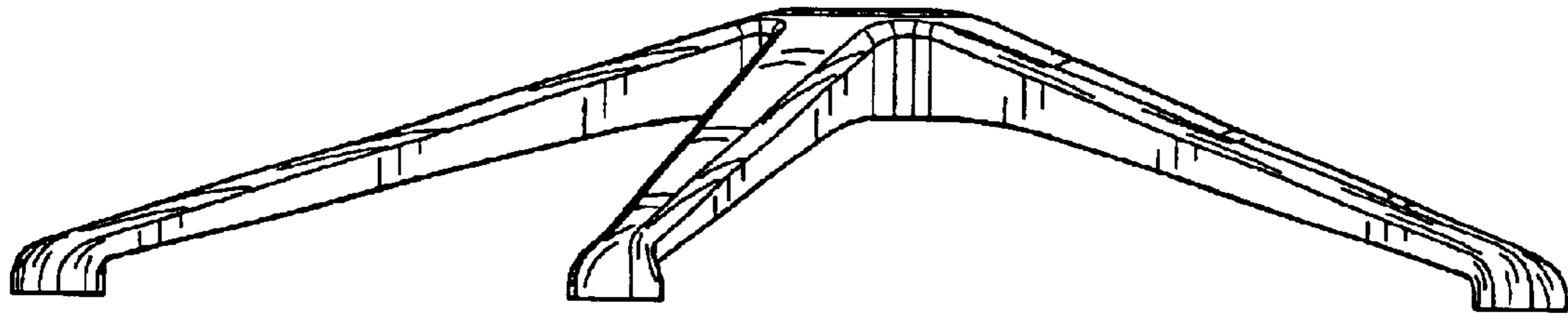


FIG. 4

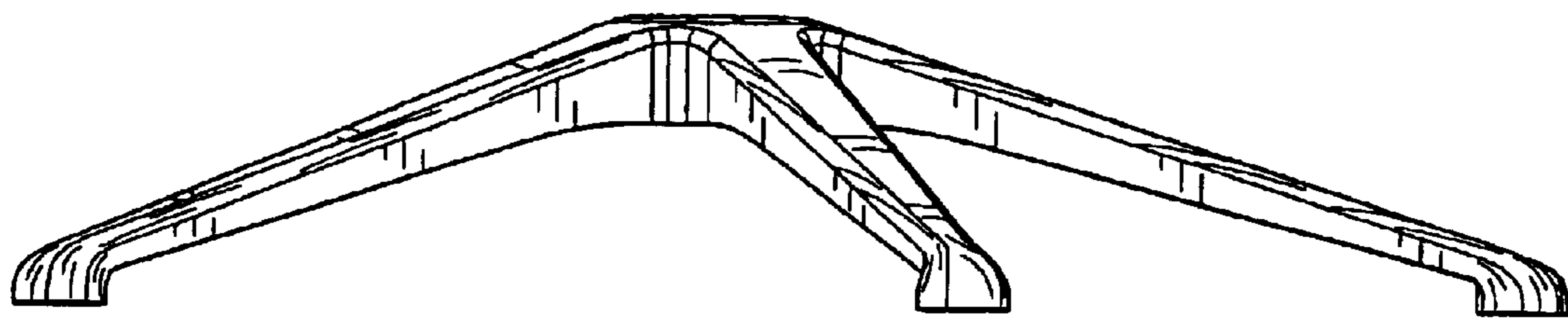


FIG. 5

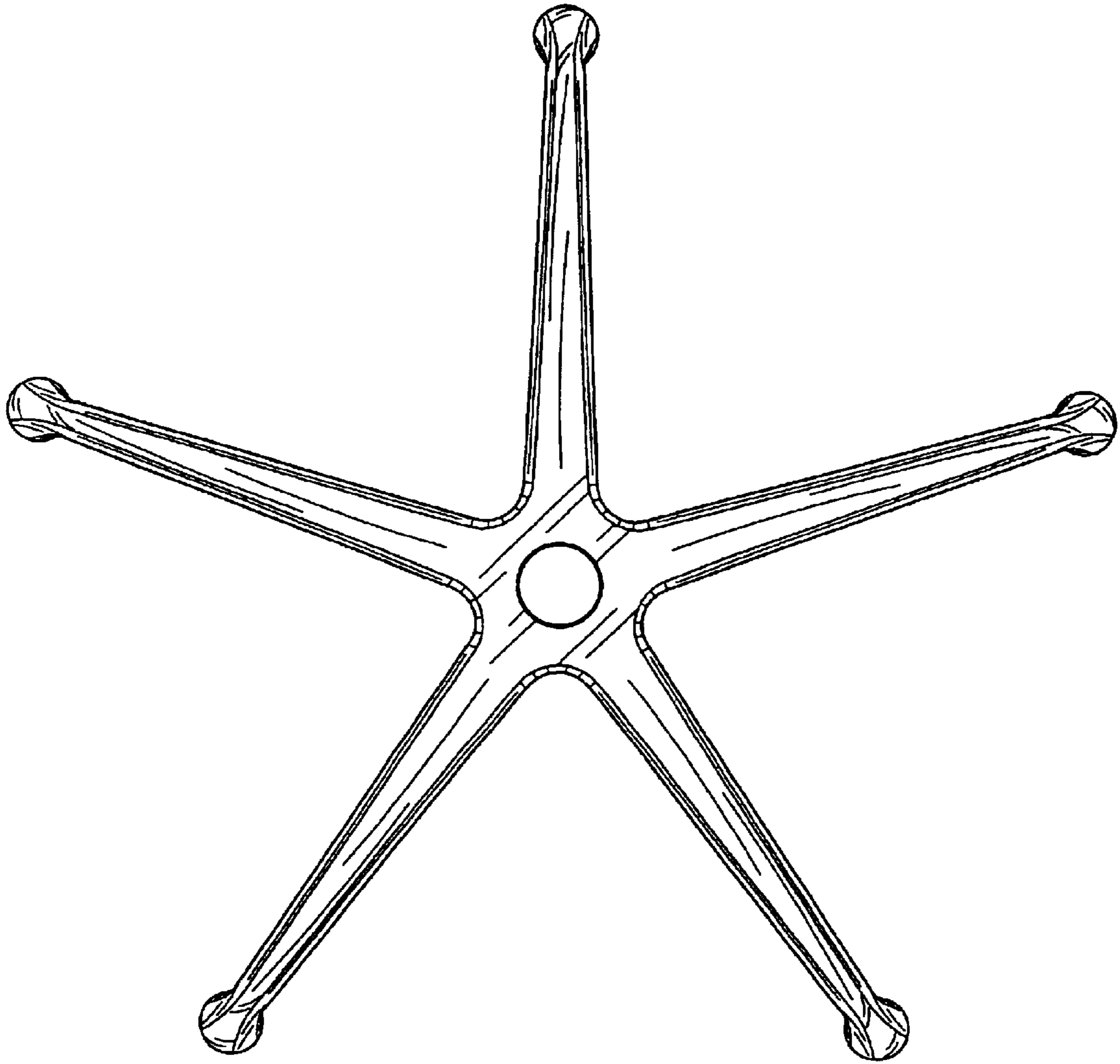


FIG. 6

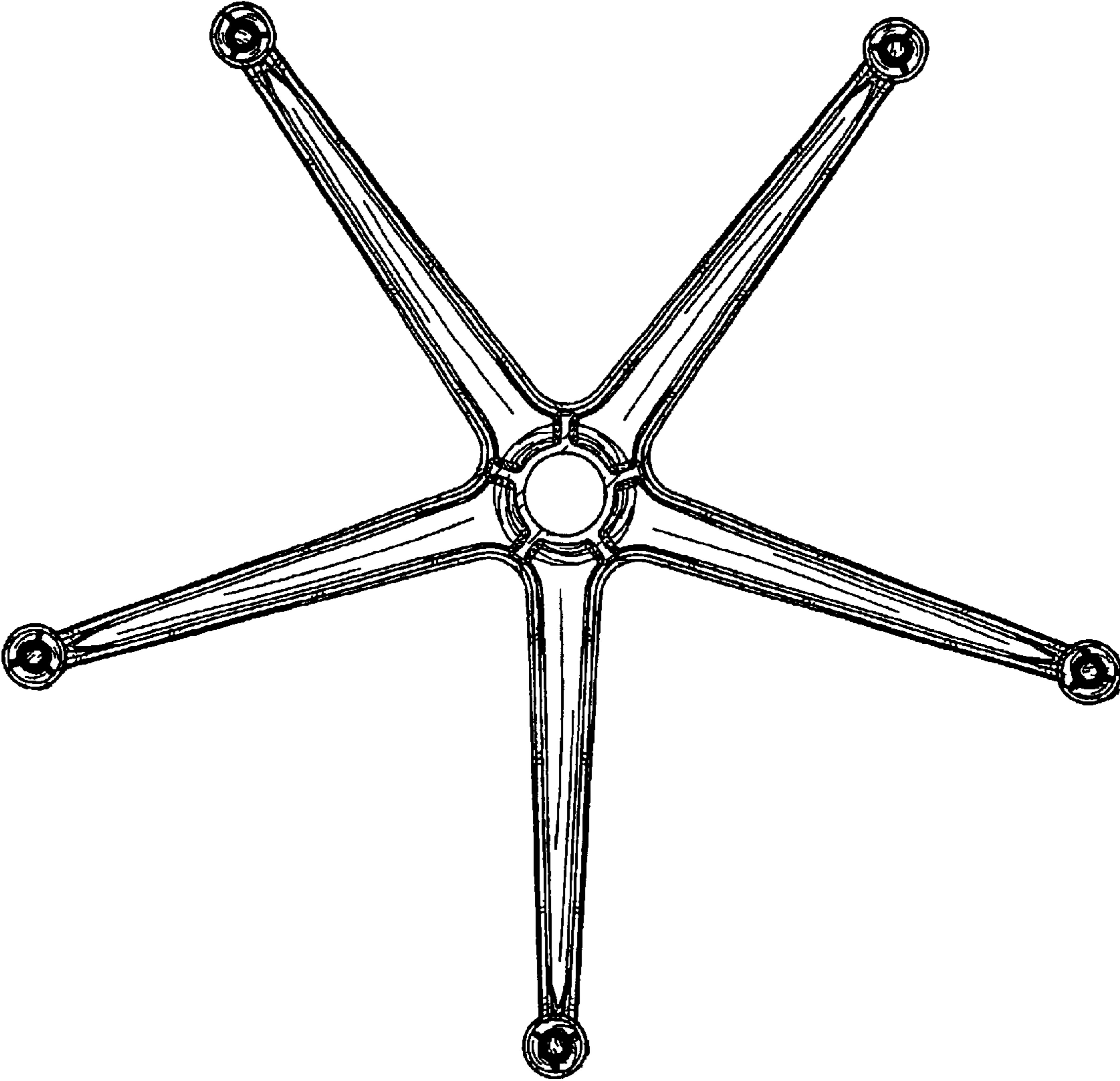


FIG. 7

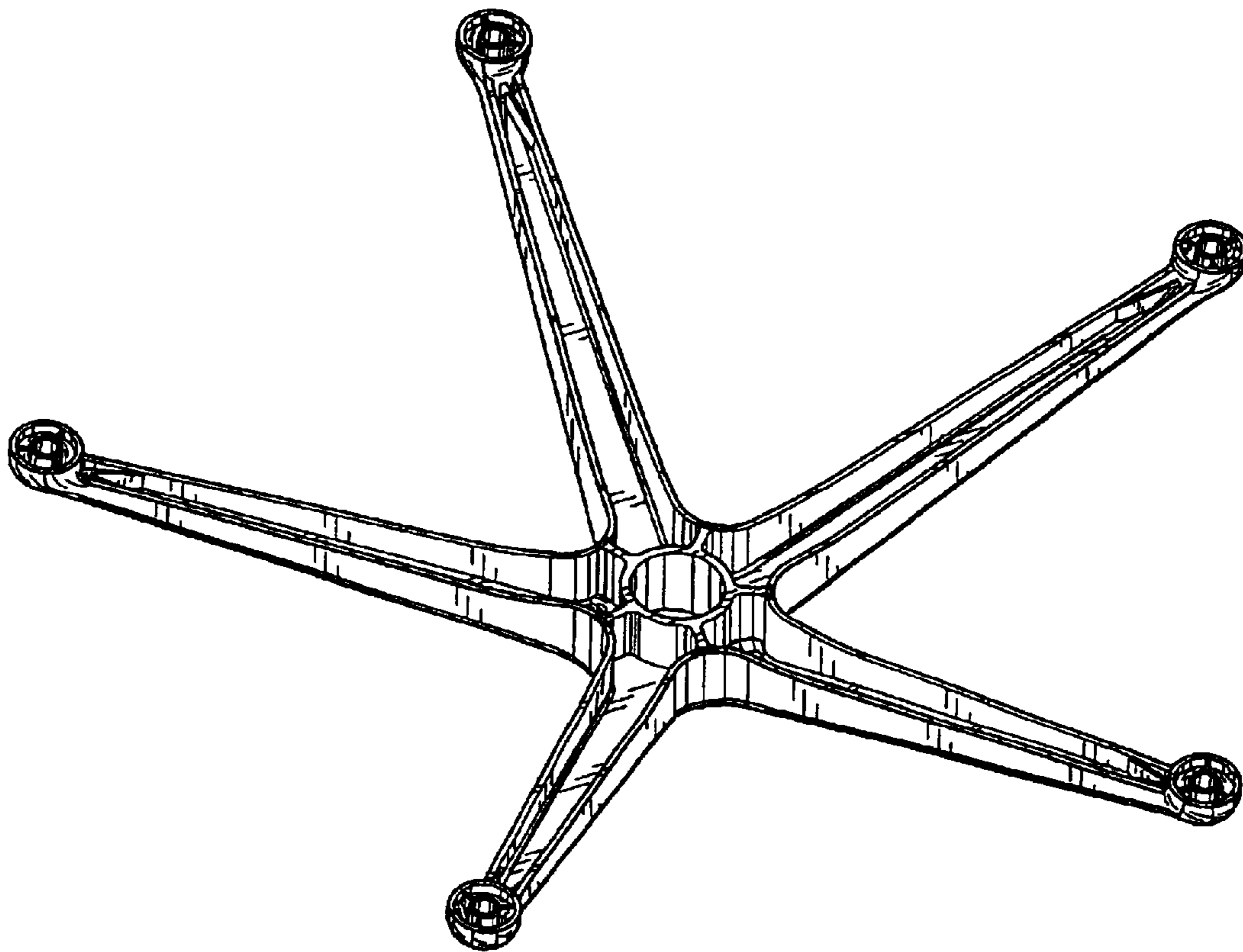


FIG. 8