

US00D494785S1

(12) **United States Design Patent**
Chen

(10) **Patent No.:** **US D494,785 S**

(45) **Date of Patent:** **** Aug. 24, 2004**

(54) **CHAIR BASE**

(76) **Inventor:** **Yung-Hua Chen**, 9th Fl., 32-2, Chung Yuan Road, LuChou City, Taipei Hsien (TW)

(**) **Term:** **14 Years**

(21) **Appl. No.:** **29/189,296**

(22) **Filed:** **Sep. 3, 2003**

(51) **LOC (7) Cl.** **06-06**

(52) **U.S. Cl.** **D6/498; D6/366**

(58) **Field of Search** D6/334, 335, 364, D6/365, 366, 367, 498, 500, 501, 502; 248/188.1, 188.7, 188.8, 188.9; 297/344.18, 463.1

(56) **References Cited**

U.S. PATENT DOCUMENTS

D312,011 S * 11/1990 Caruso et al. D6/498
D369,687 S * 5/1996 Hafner et al. D6/366

D430,982 S * 9/2000 Kuo D6/498
D437,513 S * 2/2001 Privatt et al. D6/498
D482,217 S * 11/2003 Lin D6/498

* cited by examiner

Primary Examiner—Gary D. Watson

(74) *Attorney, Agent, or Firm*—Rosenberg, Klein & Lee

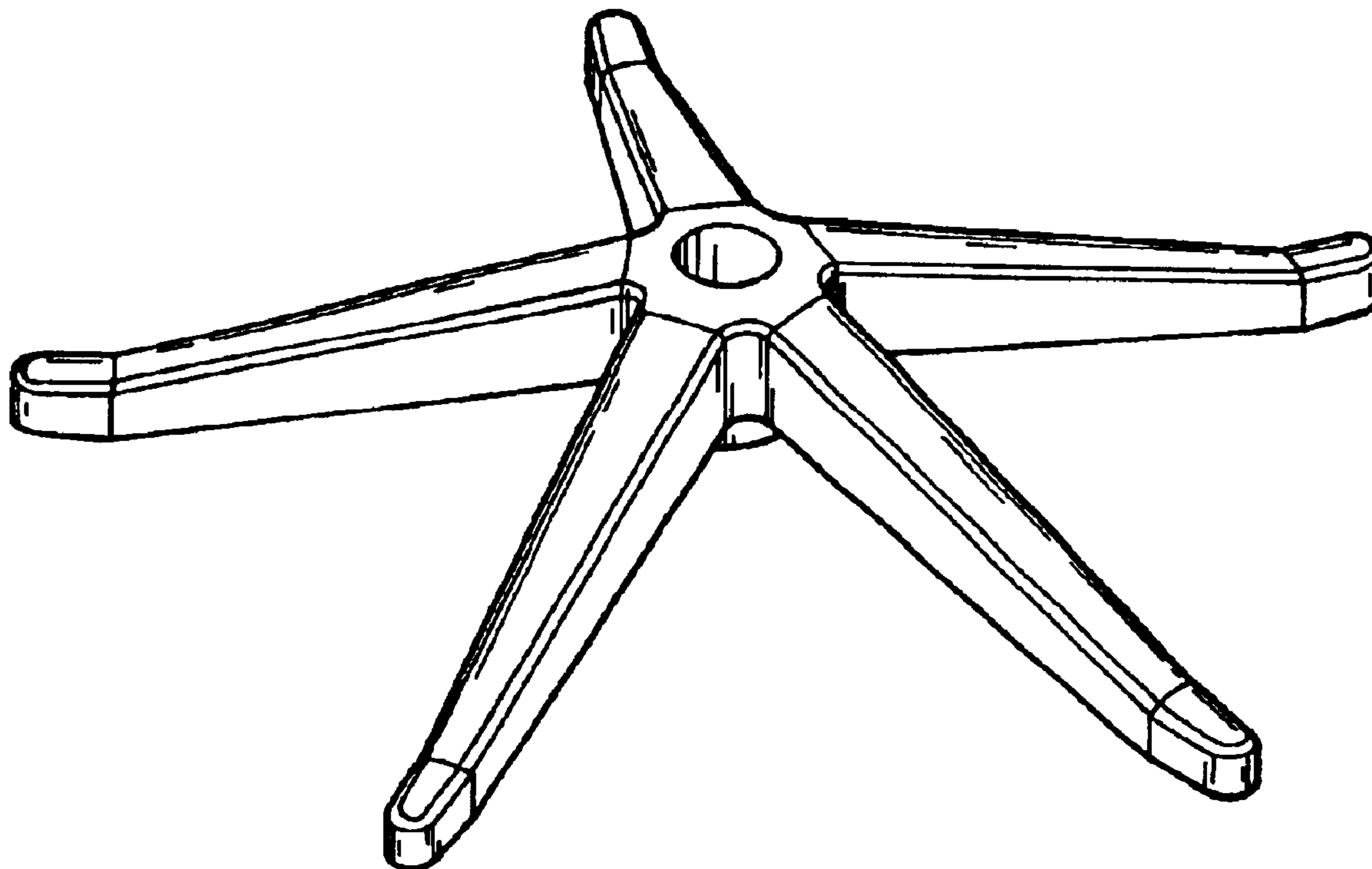
(57) **CLAIM**

The ornamental design for a chair base, as show and described.

DESCRIPTION

FIG. 1 is a perspective view of a chair base showing my new design;
FIG. 2 is a front elevational view thereof;
FIG. 3 is a rear elevational view thereof;
FIG. 4 is a left side elevational view thereof;
FIG. 5 is a right side elevational view thereof;
FIG. 6 is a top plan view thereof; and,
FIG. 7 is a bottom plan view thereof.

1 Claim, 5 Drawing Sheets



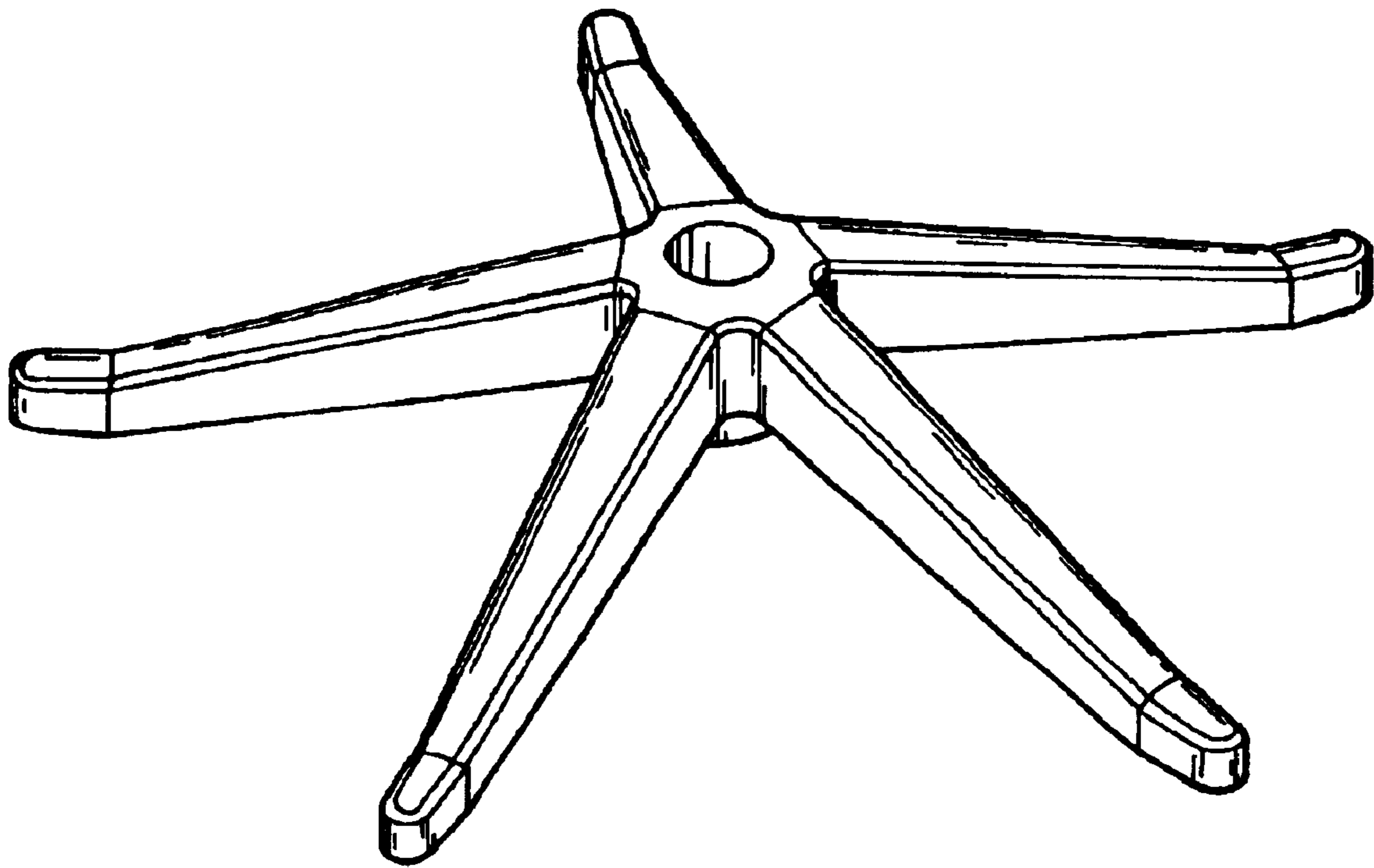


FIG. 1

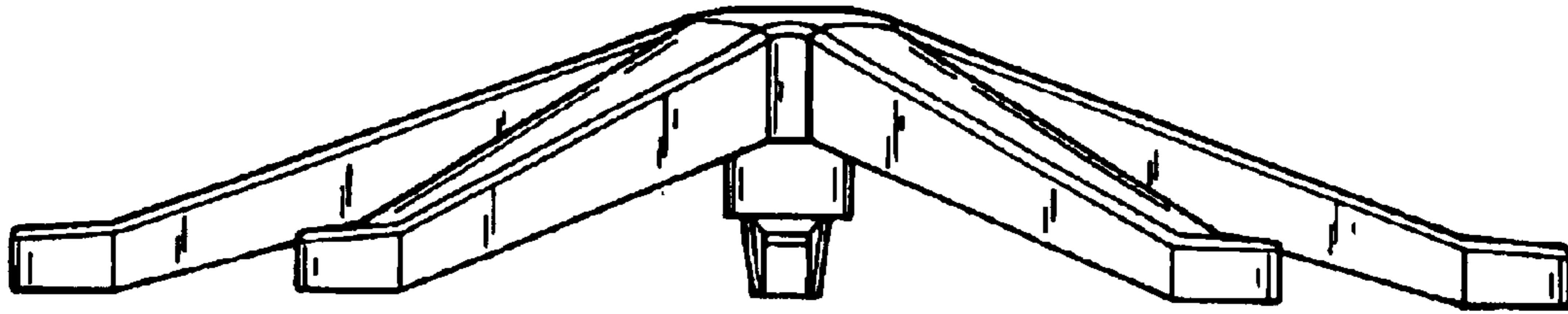


FIG. 2

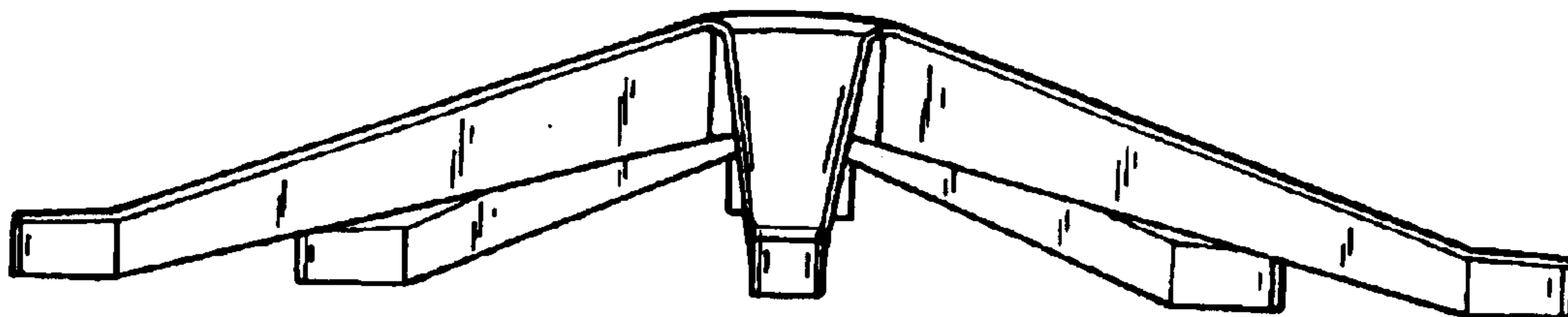


FIG. 3

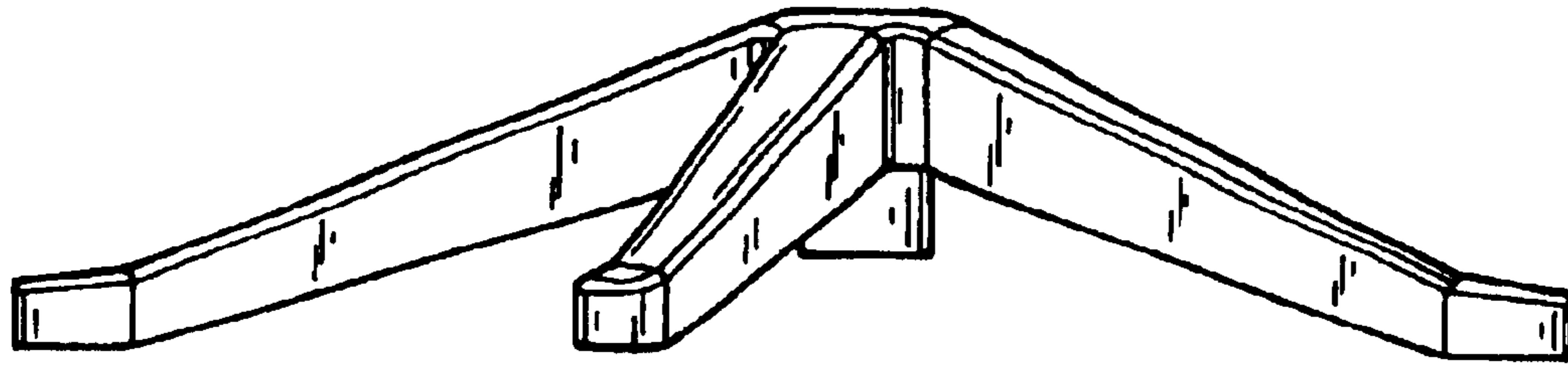


FIG. 4

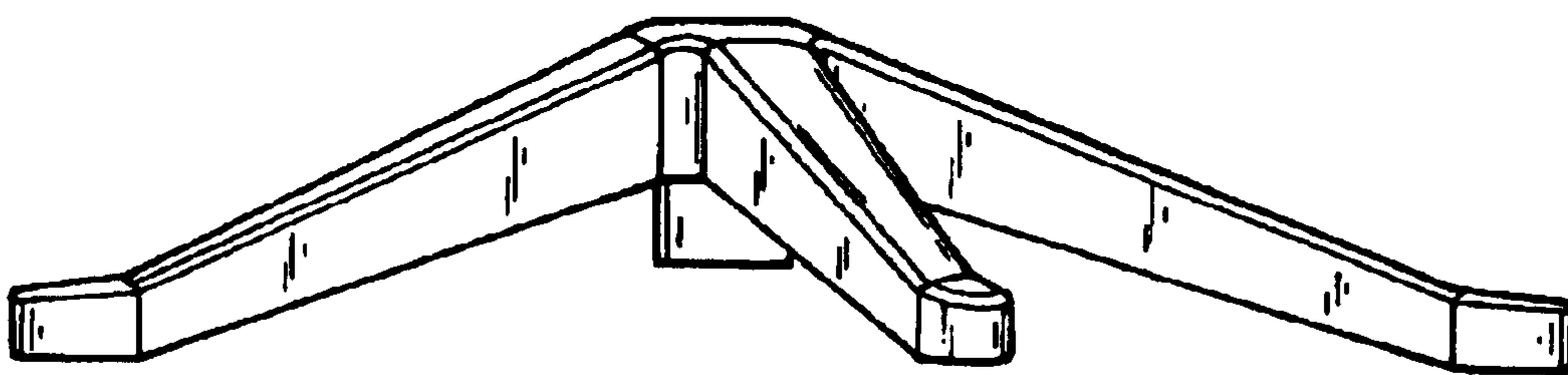


FIG. 5

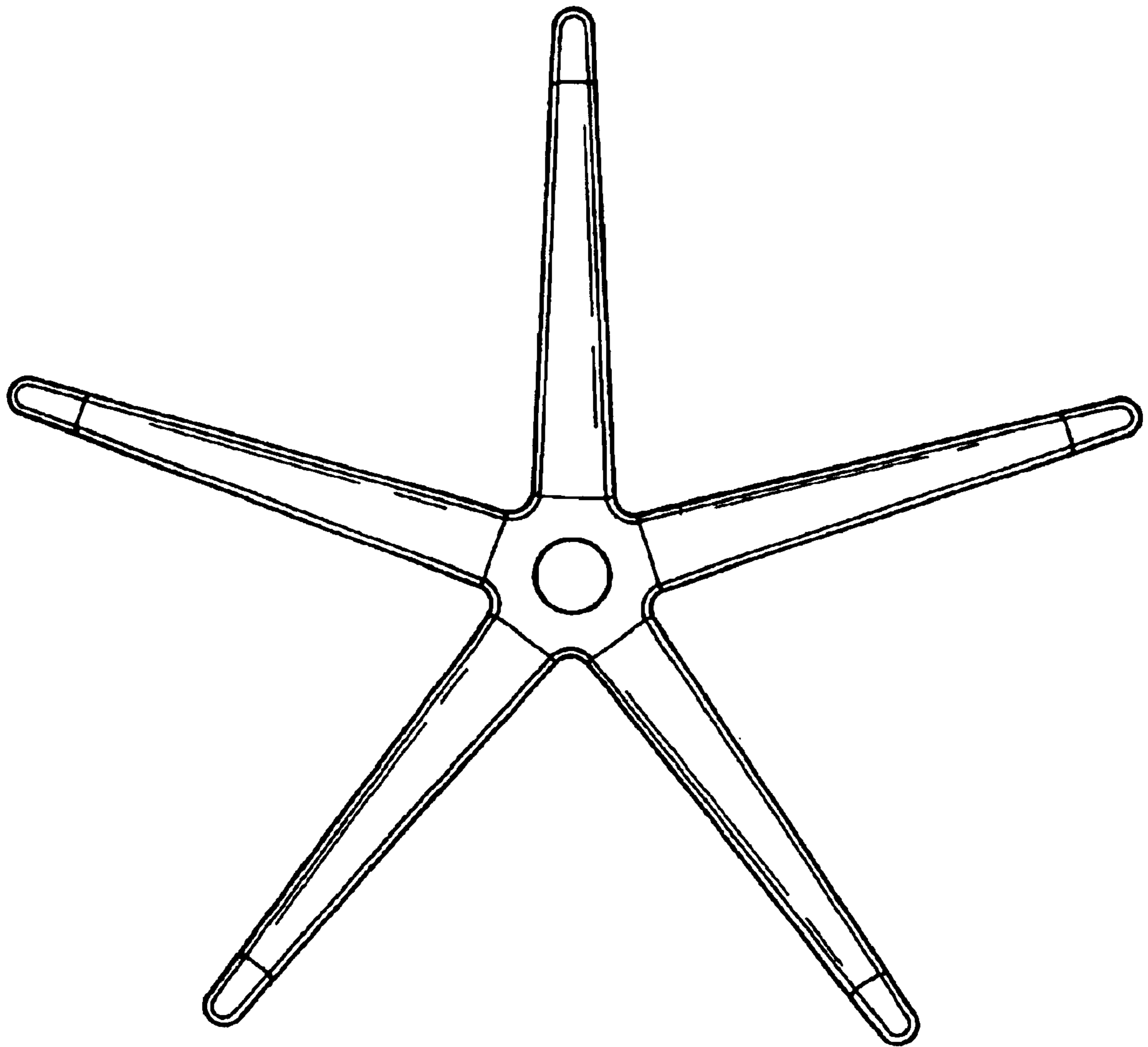


FIG. 6

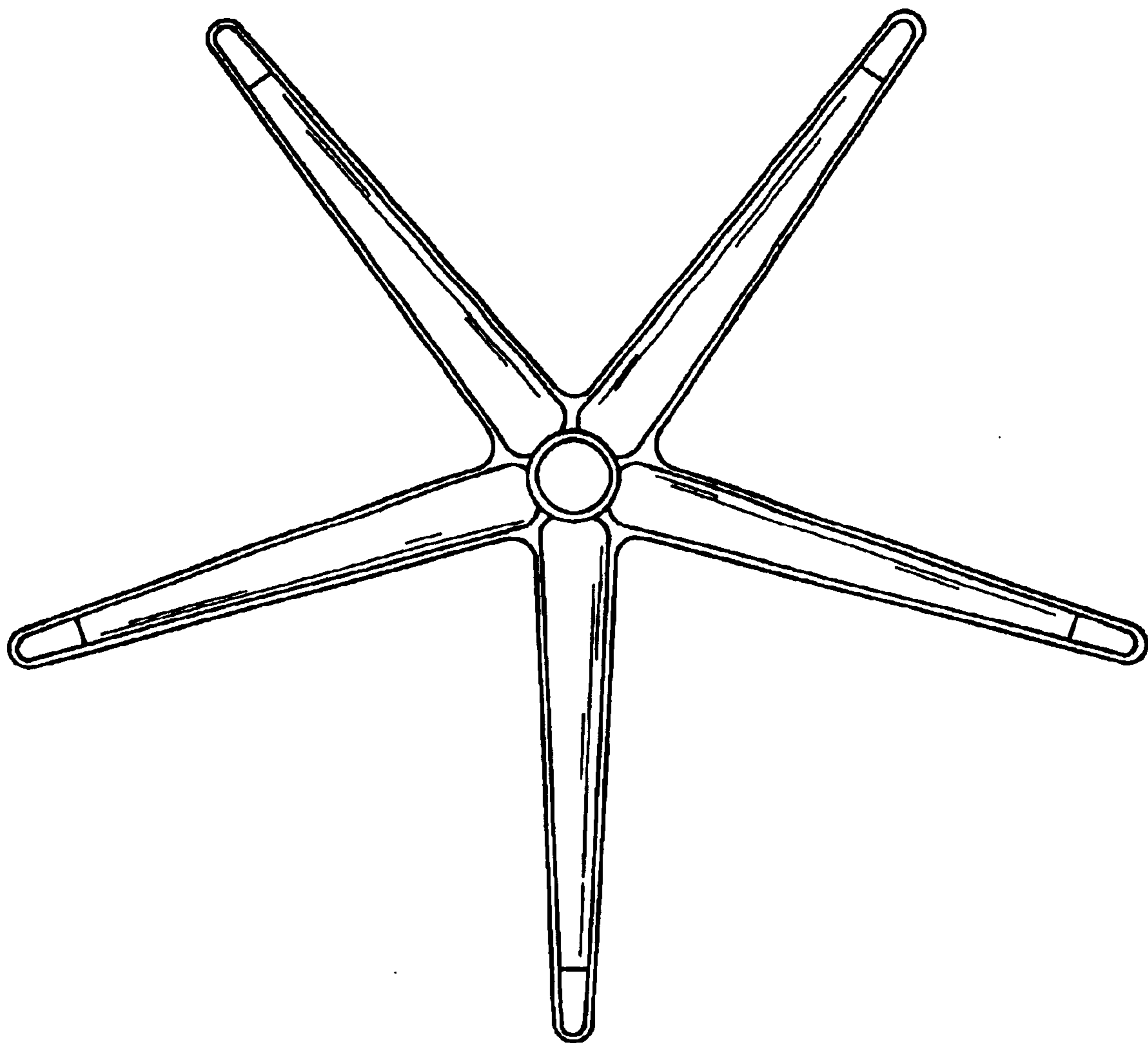


FIG. 7