

US00D494784S1

(12) **United States Design Patent**  
**Strong**

(10) **Patent No.:** **US D494,784 S**

(45) **Date of Patent:** **\*\* Aug. 24, 2004**

(54) **SUPPORT FOR A TABLE TOP**

(75) **Inventor:** **L. Curtis Strong**, Clearfield, UT (US)

(73) **Assignee:** **Lifetime Products, Inc.**, Clearfield, UT (US)

(\*\*) **Term:** **14 Years**

(21) **Appl. No.:** **29/183,994**

(22) **Filed:** **Jun. 19, 2003**

(51) **LOC (7) Cl.** ..... **06-06**

(52) **U.S. Cl.** ..... **D6/498**

(58) **Field of Search** ..... D6/480-489, 495,  
D6/497, 450, 451; 108/150, 153.1, 158,  
155, 156, 157.1, 161; 248/188, 188.1, 188.8

(56) **References Cited**

**U.S. PATENT DOCUMENTS**

- D99,726 S \* 5/1936 Powell ..... D6/488
- D423,258 S \* 4/2000 Pinch ..... D6/499
- D474,628 S \* 5/2003 Chen ..... D6/487

D476,169 S \* 6/2003 Buono ..... D6/429

\* cited by examiner

*Primary Examiner*—Janice E. Seeger

(74) *Attorney, Agent, or Firm*—Workman Nydegger

(57) **CLAIM**

The ornamental design for a support for a table top, as shown and described.

**DESCRIPTION**

FIG. 1 is a perspective view of a support for a table top; FIG. 2 is a front view of the support for a table top shown in FIG. 1, with the back view being a mirror image thereof; FIG. 3 is a right side view of the support for a table top shown in FIG. 1, with the left side view being a mirror image thereof;

FIG. 4 is a bottom view of the support for a table top shown in FIG. 1; and,

FIG. 5 is a top view of the support for a table top shown in FIG. 1.

The broken lines are for illustrative purposes only and form no part of the claimed design.

**1 Claim, 3 Drawing Sheets**

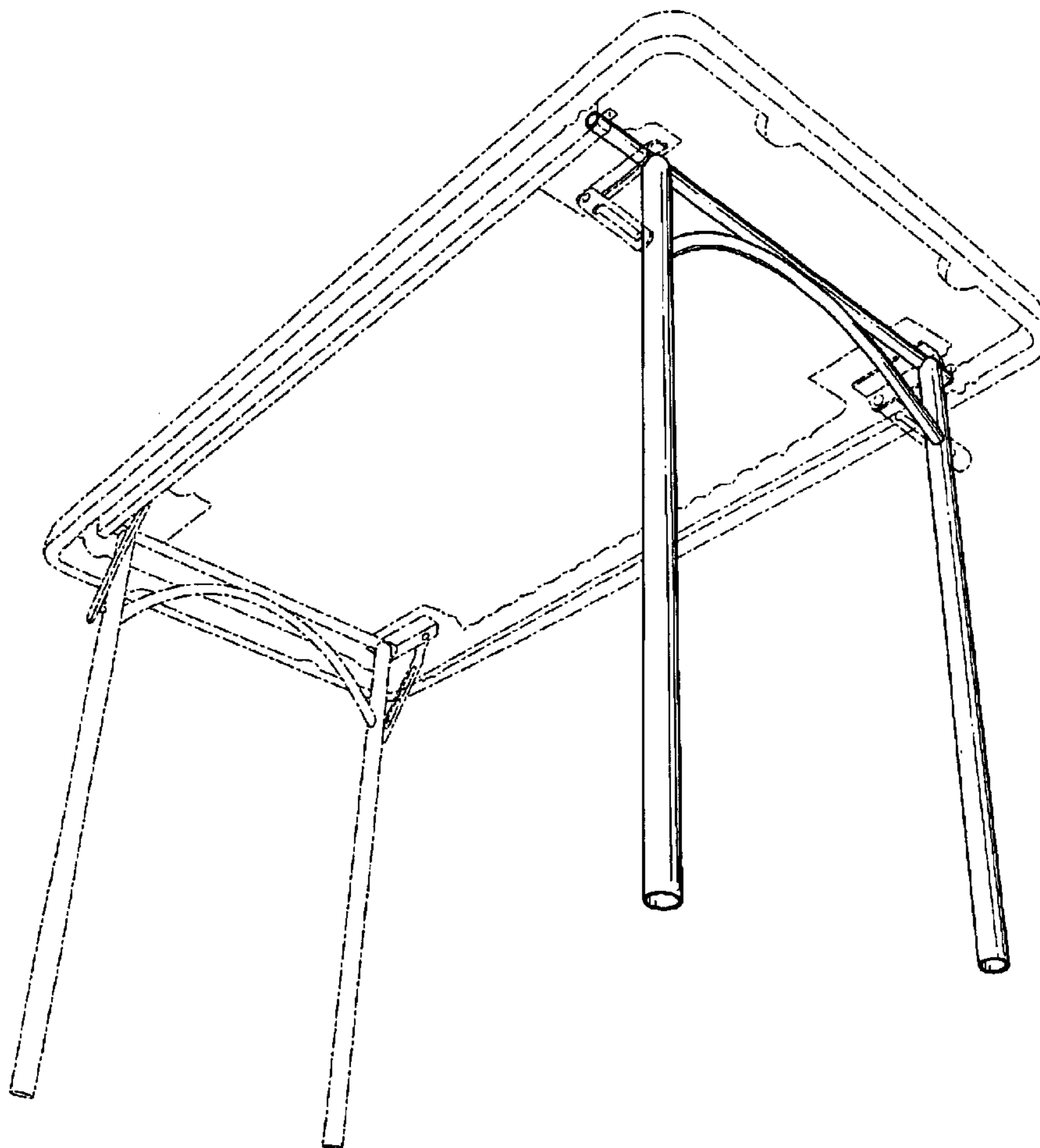
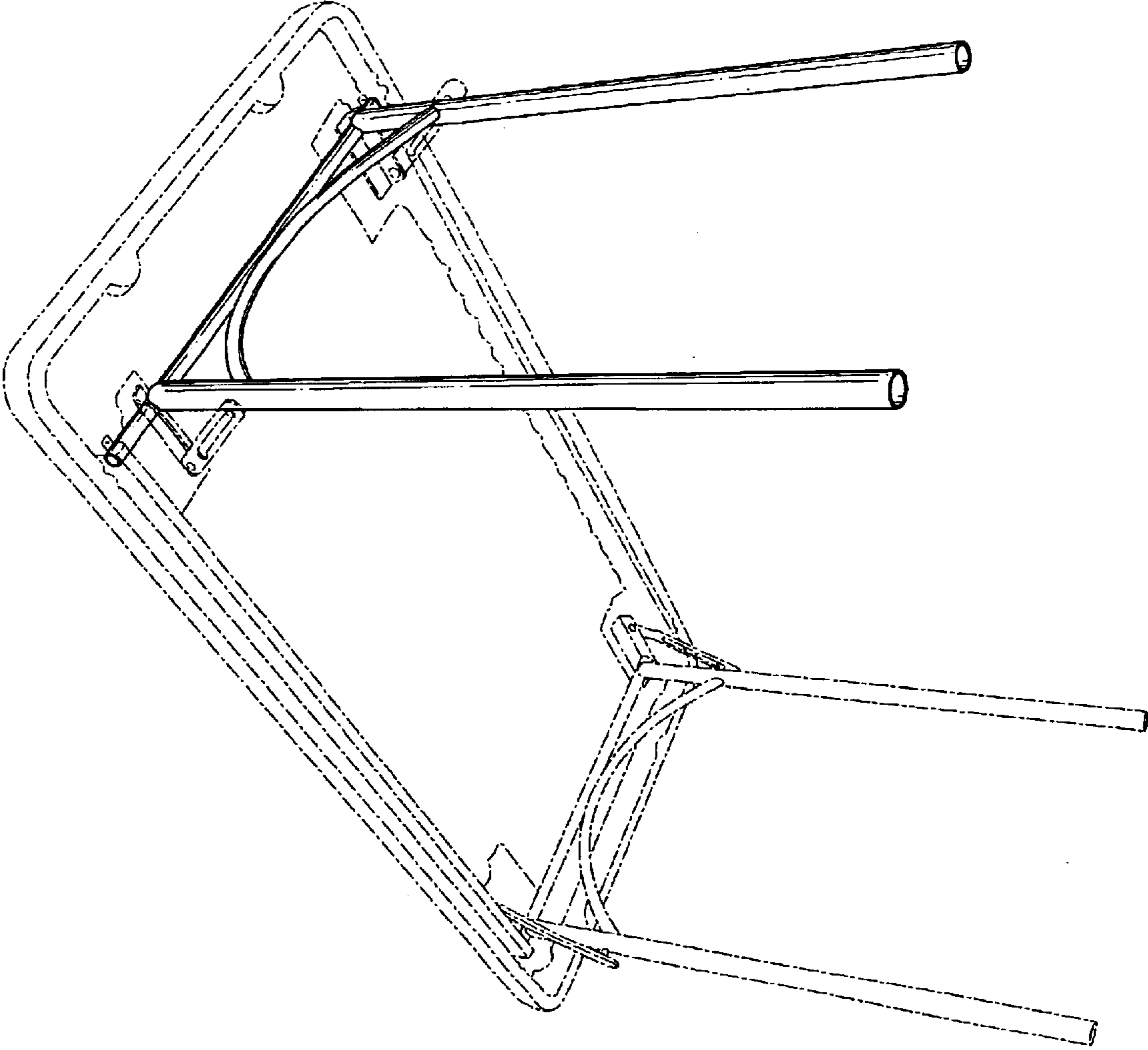
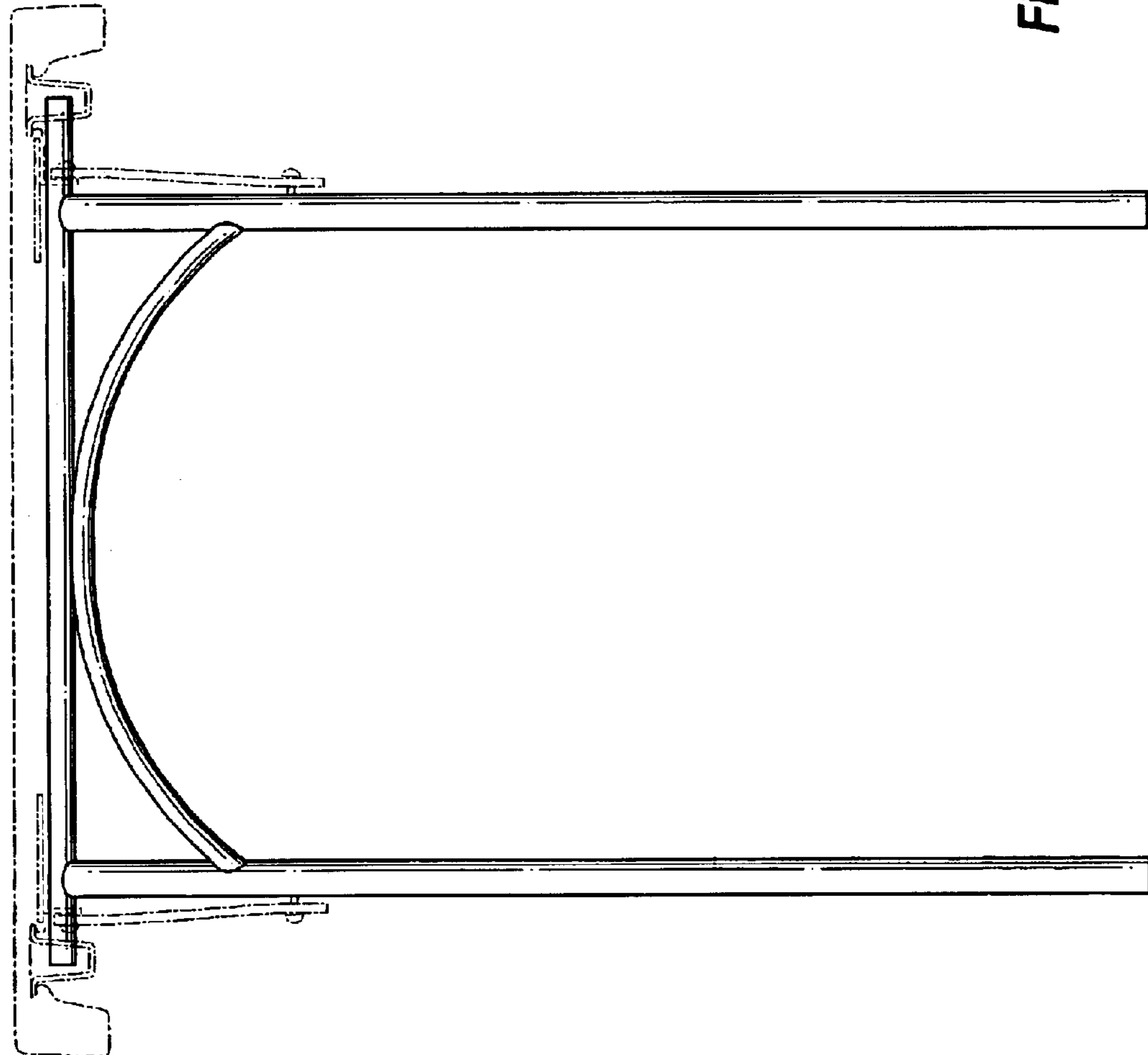
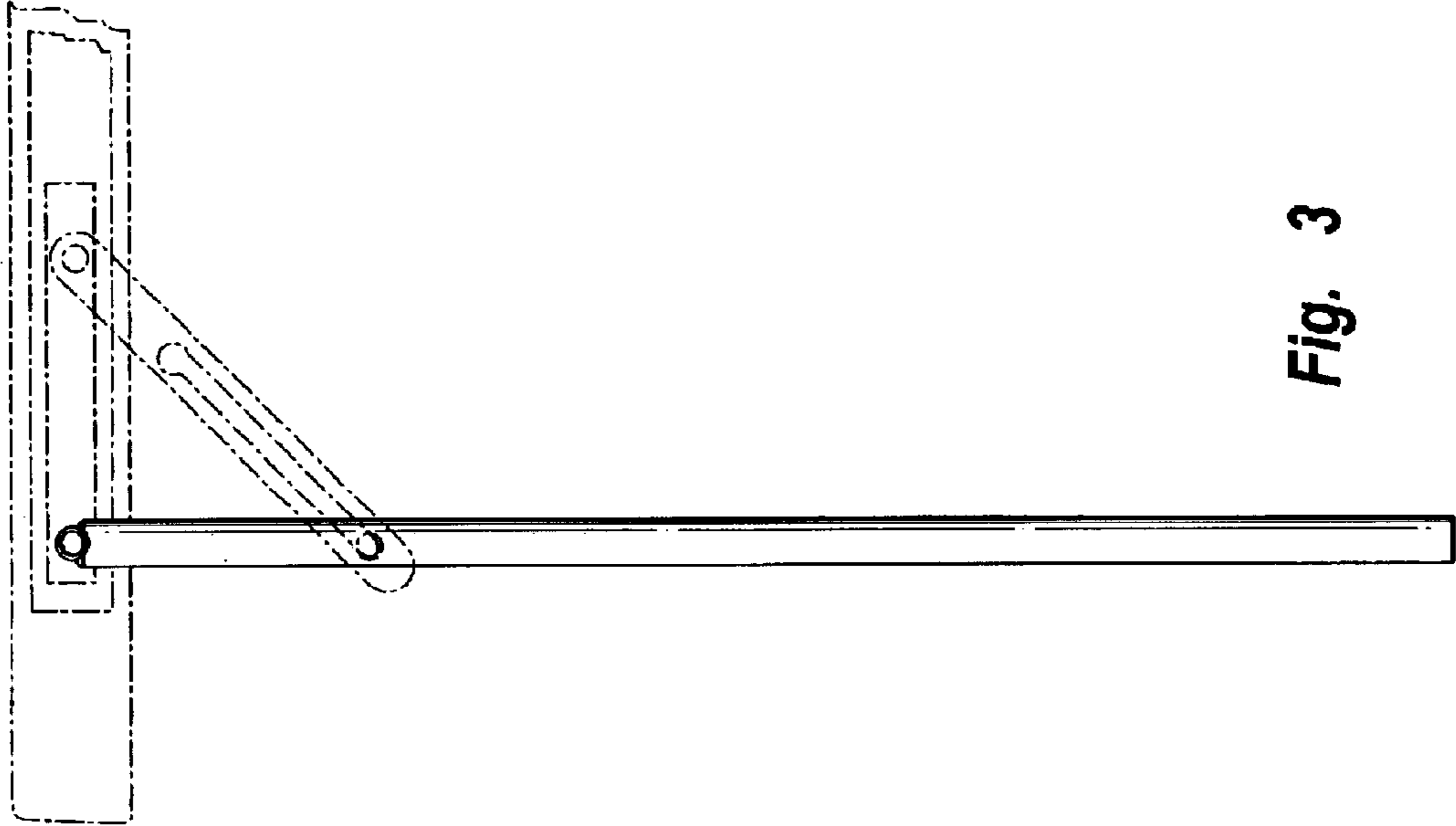


Fig. 1







**Fig. 4**



**Fig. 5**