

US00D494779S1

(12) **United States Design Patent**
Wenger

(10) **Patent No.: US D494,779 S**

(45) **Date of Patent: ** Aug. 24, 2004**

(54) **JEWELRY DISPLAY**

(76) **Inventor: Wendy Wenger, 3034 Casco Point Rd.,
Wayzata, MN (US) 55391**

(**) **Term: 14 Years**

(21) **Appl. No.: 29/173,109**

(22) **Filed: Dec. 20, 2002**

(51) **LOC (7) Cl. 06-04**

(52) **U.S. Cl. D6/468; D6/397**

(58) **Field of Search D6/449, 467, 468,
D6/469, 450; 108/59, 91, 92, 93, 94; 211/13.1,
85.1, 85.2**

(56) **References Cited**

U.S. PATENT DOCUMENTS

- 4,775,053 A * 10/1988 Geiger 211/85.2
- D305,709 S * 1/1990 Blignaut D6/468
- 5,067,617 A * 11/1991 Caldwell et al. 211/85.2

- D338,127 S * 8/1993 Bass et al. D6/571
- D343,535 S * 1/1994 Scott D6/469
- D347,129 S * 5/1994 Zinke et al. D6/468
- D348,997 S * 7/1994 Menner D6/467
- D367,384 S * 2/1996 DiFranco et al. D6/474
- 5,762,205 A * 6/1998 Davitz 211/13.1
- 6,425,646 B1 * 7/2002 Andrews 312/114

* cited by examiner

Primary Examiner—Cathron Brooks

(74) *Attorney, Agent, or Firm*—Patterson, Thuente, Skaar and Christensen, P.A.

(57) **CLAIM**

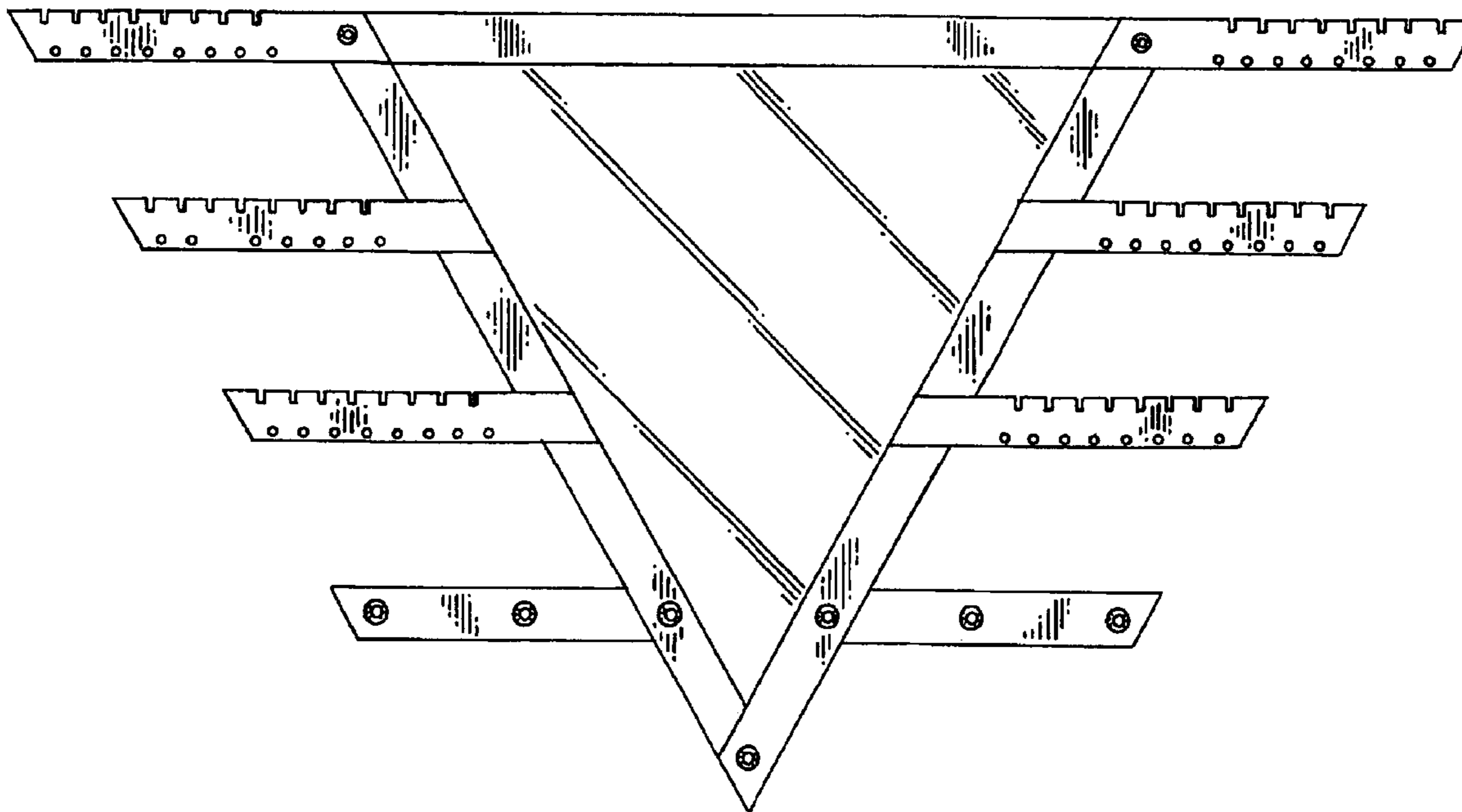
I claim the ornamental design for jewelry display, as shown.

DESCRIPTION

FIG. 1 is a front view of a jewelry display according to the present invention; and,

FIG. 2 is a side view of a jewelry display.

1 Claim, 1 Drawing Sheet



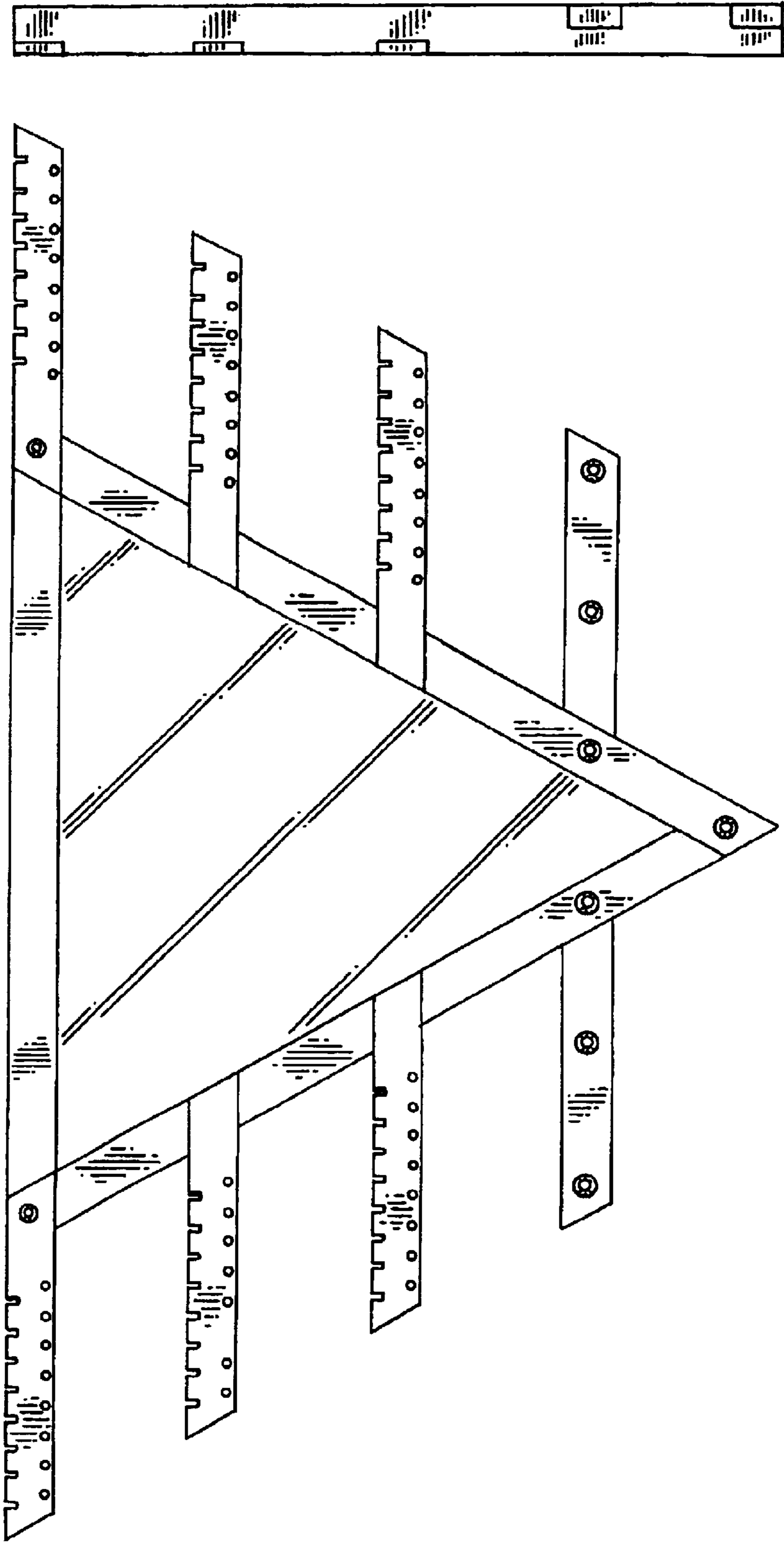


FIG. 2

FIG. 1