

US00D494778S1

(12) **United States Design Patent**  
**Vosbikian**

(10) **Patent No.: US D494,778 S**

(45) **Date of Patent: \*\* Aug. 24, 2004**

(54) **MERCHANDISE DISPLAY SYSTEM**

2,884,139 A \* 4/1959 Dunham ..... 211/10  
3,268,089 A \* 8/1966 Hall ..... 211/153

(75) Inventor: **David Vosbikian**, Moorestown, NJ  
(US)

\* cited by examiner

(73) Assignee: **Quickie Manufacturing Corporation**,  
Cinnaminson, NJ (US)

*Primary Examiner*—Mimosa De  
(74) *Attorney, Agent, or Firm*—Stuart M. Goldstein

(\*\*) Term: **14 Years**

(57) **CLAIM**

(21) Appl. No.: **29/197,374**

The ornamental design for a merchandise display system, as shown and described.

(22) Filed: **Jan. 14, 2004**

**DESCRIPTION**

(51) **LOC (7) Cl.** ..... **06-04**

FIG. 1 is an isometric view of the design of the present invention.

(52) **U.S. Cl.** ..... **D6/467; D6/462**

FIG. 2 is the front view of the design of the present invention.

(58) **Field of Search** ..... D6/396, 397, 449,

D6/457-468, 475-478, 510, 511; 108/144.11,

144.12, 147.12; 211/10, 11, 42, 49.1, 50,

134, 135, 153, 181.1, 186, 187, 189, 194,

208

FIG. 3 is the rear view of the design of the present invention.

FIG. 4 is the side view of the design of the present invention.

FIG. 5 is the top view of the design of the present invention;

and,

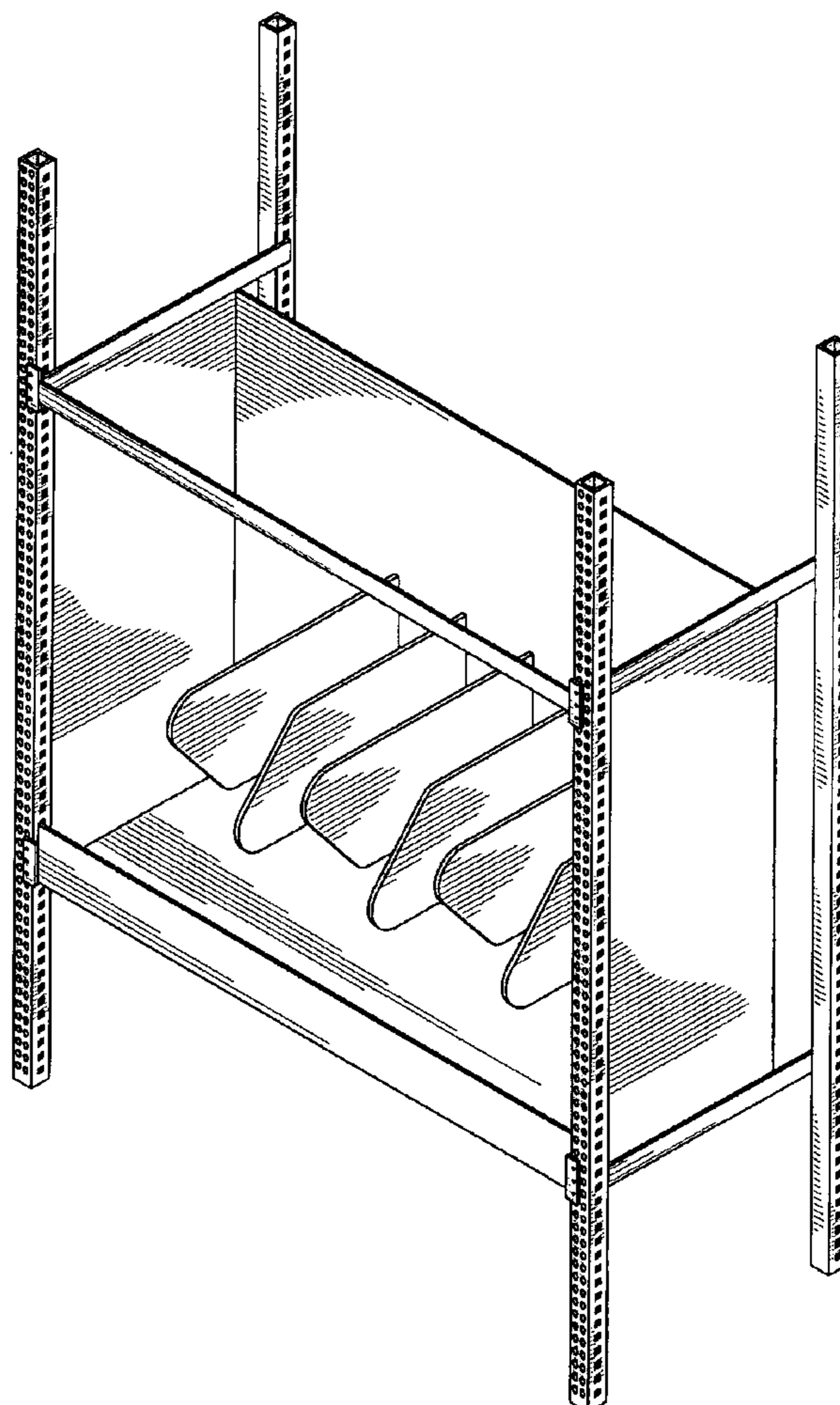
FIG. 6 is the bottom view of the design of the present invention.

(56) **References Cited**

**U.S. PATENT DOCUMENTS**

2,075,129 A \* 3/1937 Olund ..... 211/50

**1 Claim, 5 Drawing Sheets**



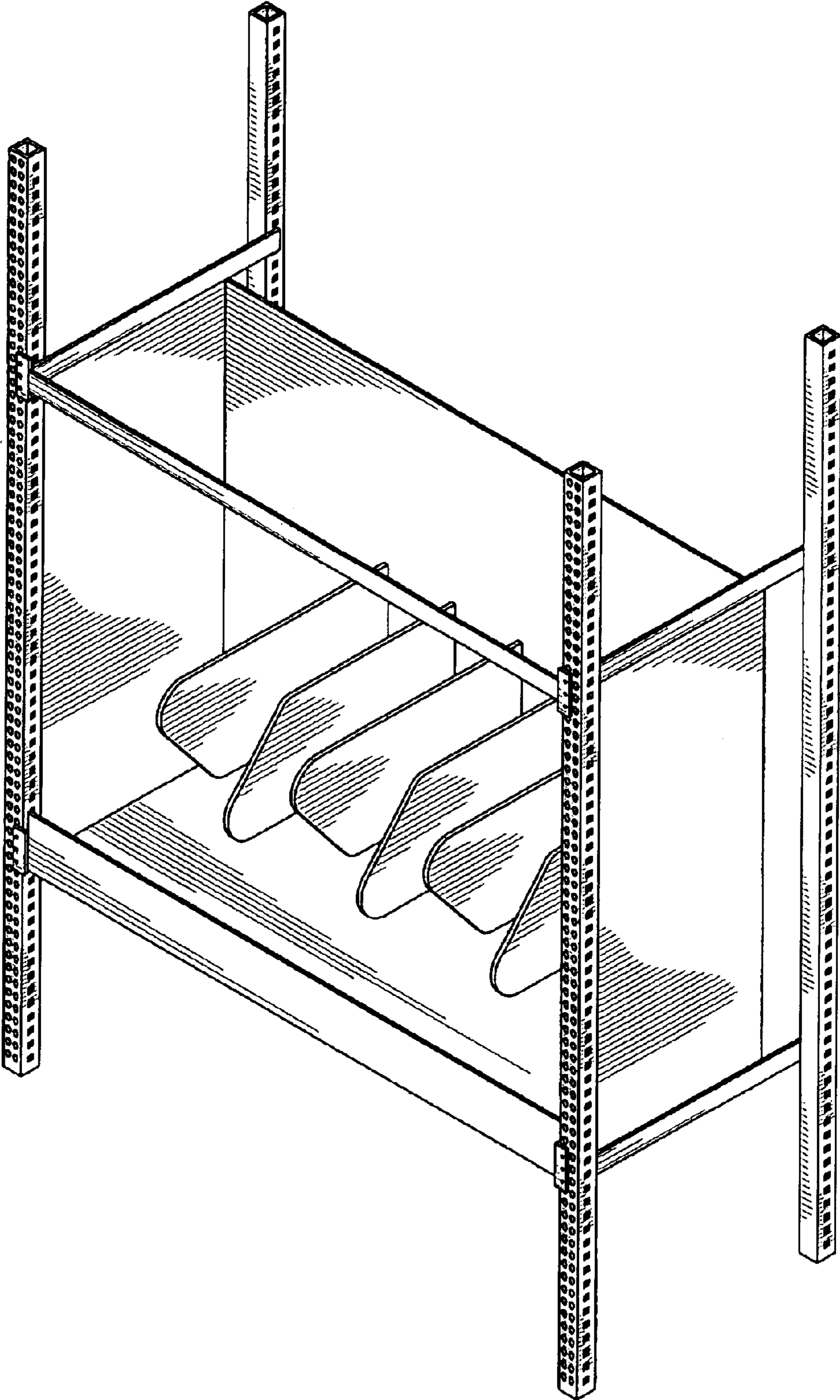


FIG. 1

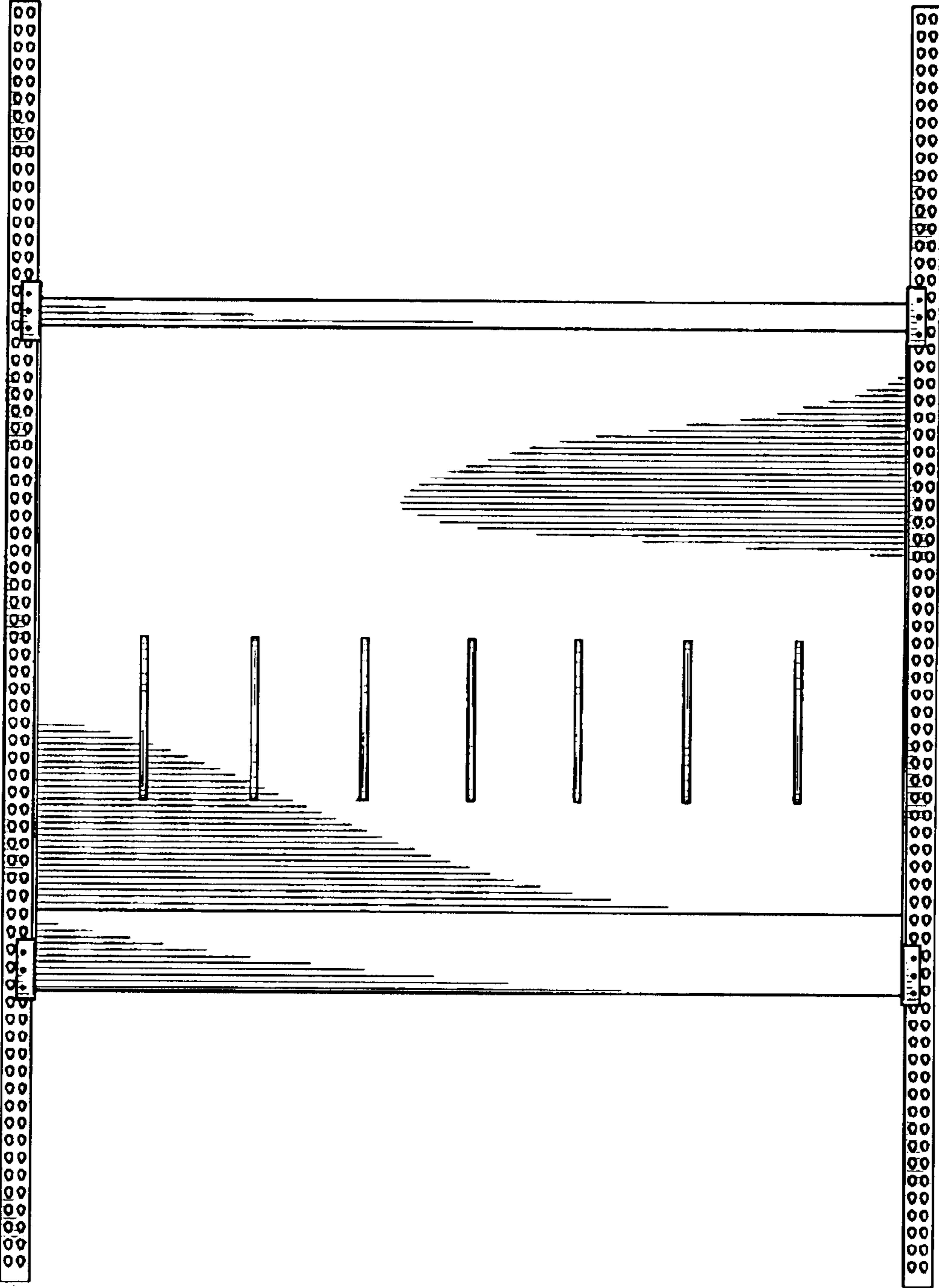


FIG. 2

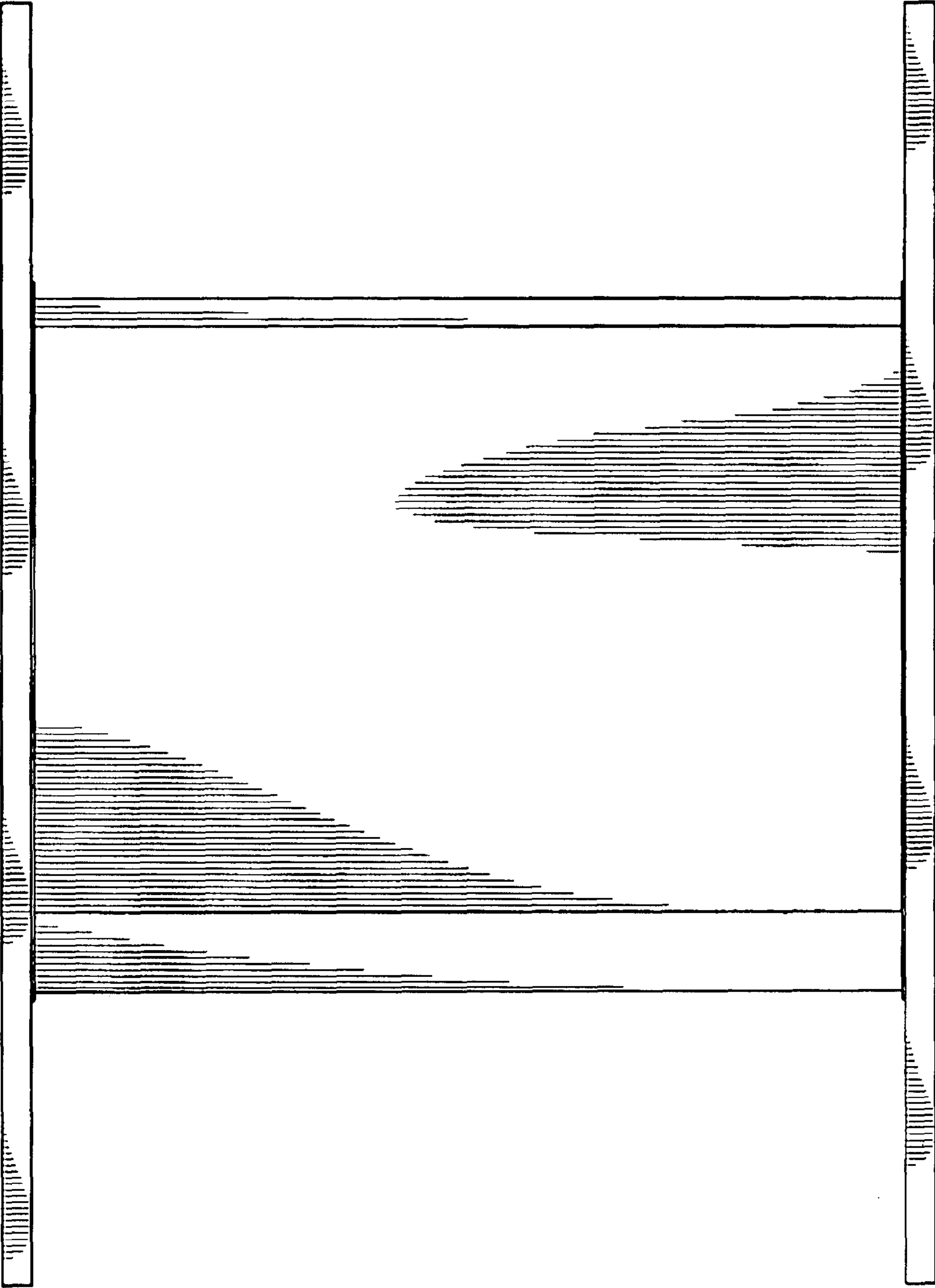


FIG. 3

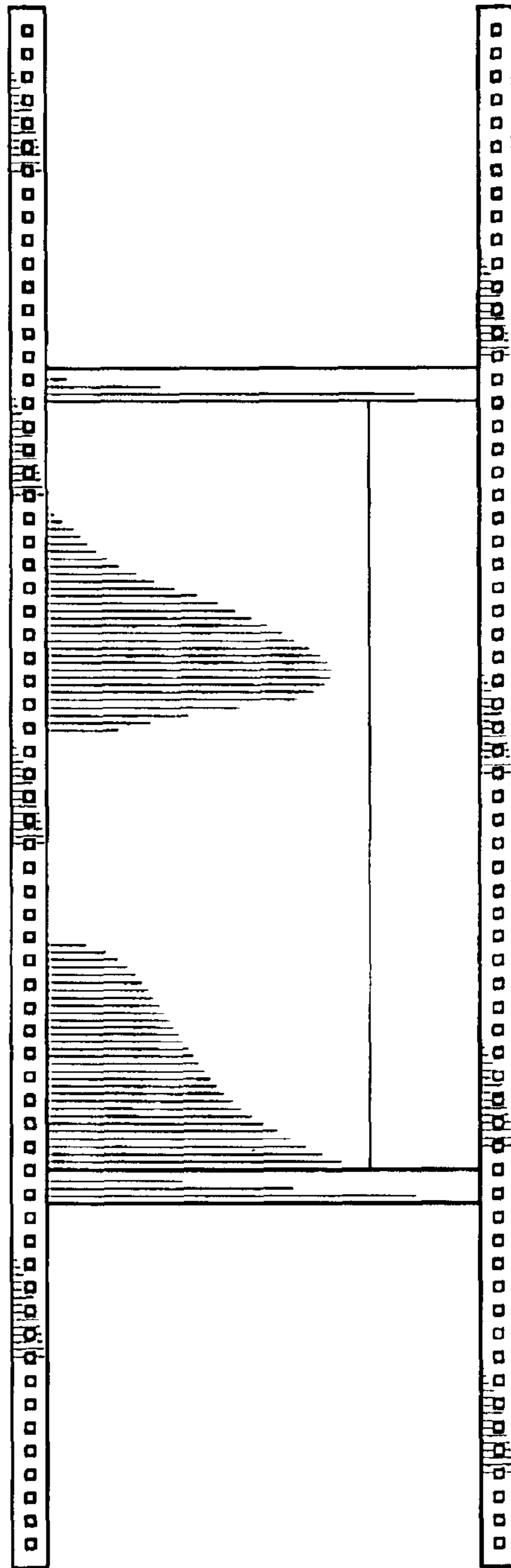


FIG. 4

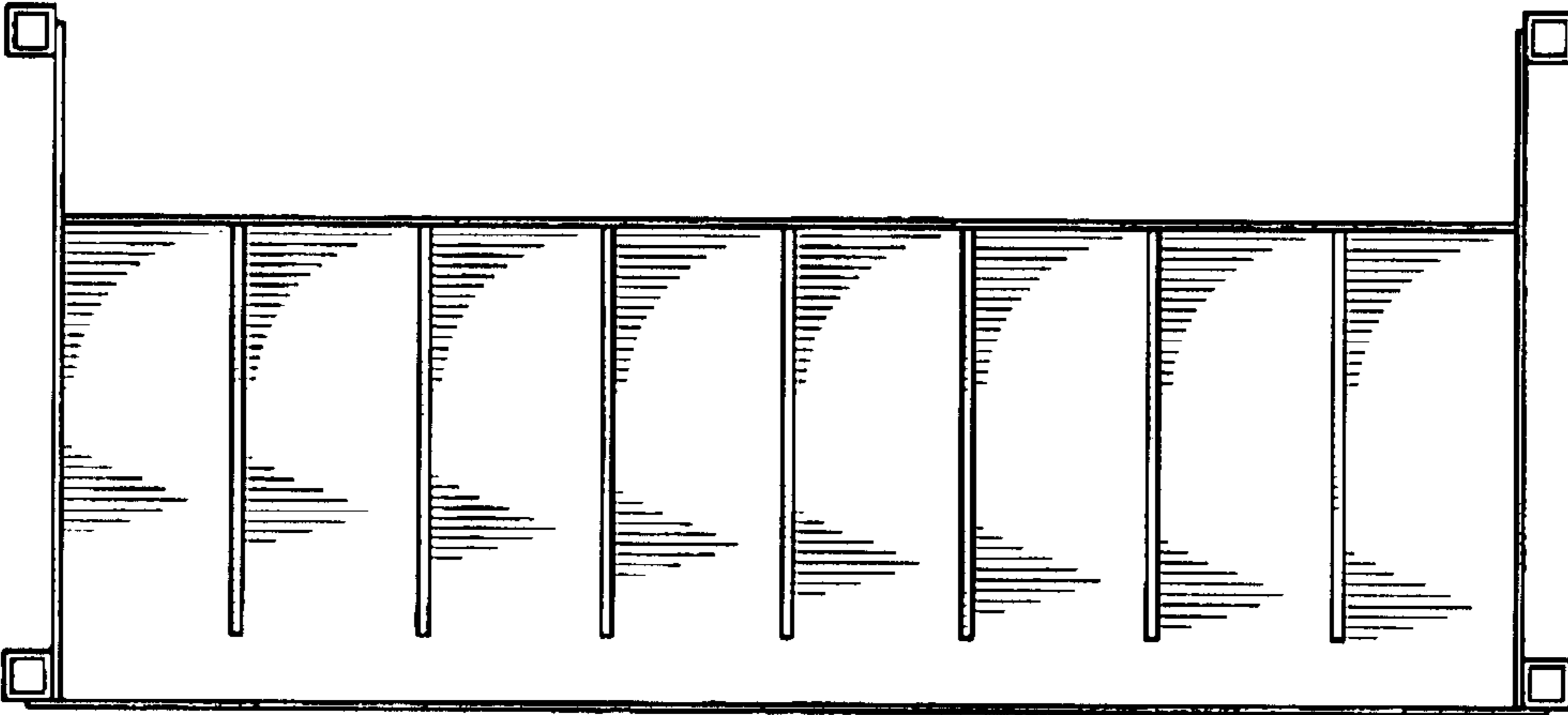


FIG. 5

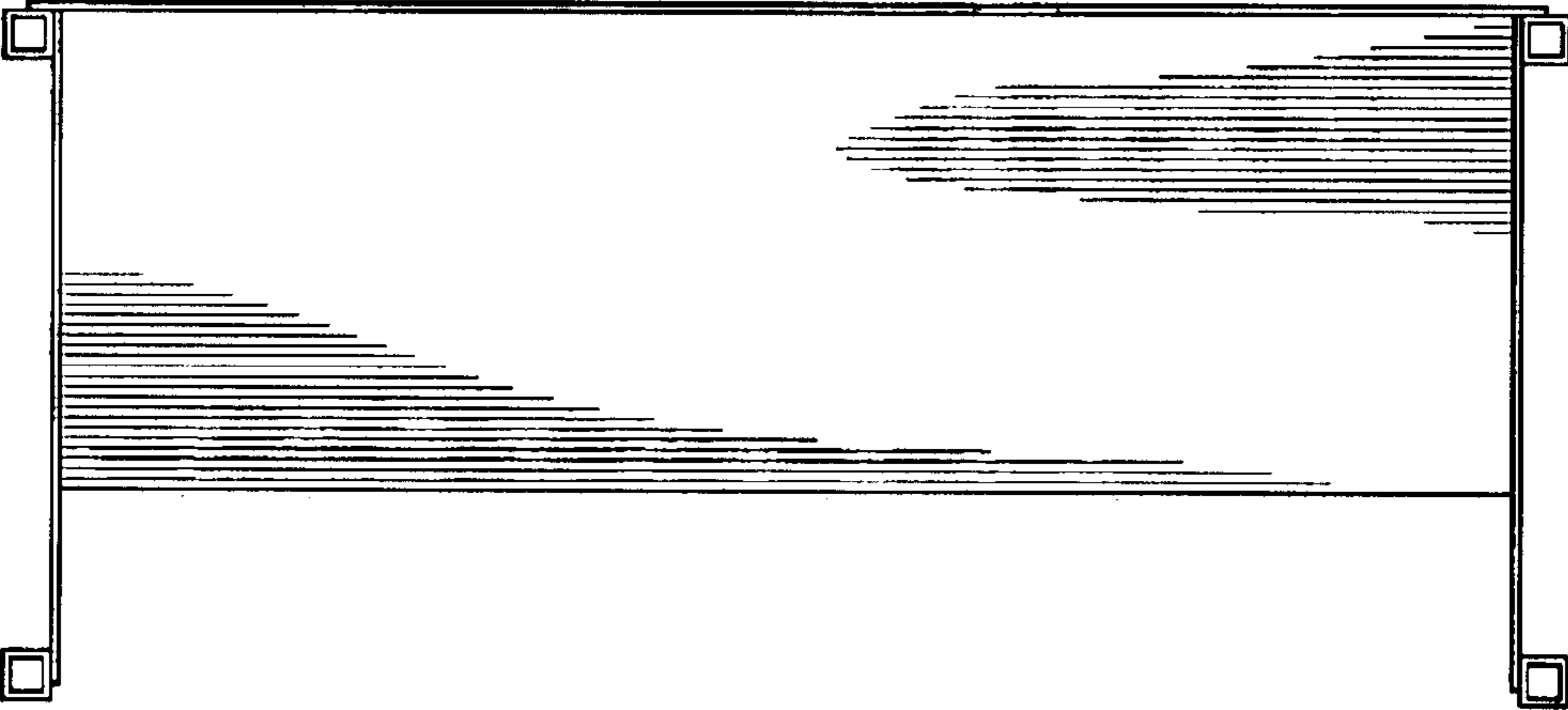


FIG. 6