

US00D494777S1

(12) **United States Design Patent**  
**Walk**

(10) **Patent No.: US D494,777 S**

(45) **Date of Patent: \*\* Aug. 24, 2004**

(54) **FOOTWEAR STORAGE RACK**

(76) **Inventor: H. Leland Walk, 24317**  
Darby-Pottersburg Rd., Marysville, OH  
(US) 43040

(\*\*) **Term: 14 Years**

(21) **Appl. No.: 29/195,814**

(22) **Filed: Dec. 17, 2003**

(51) **LOC (7) Cl. .... 06-04**

(52) **U.S. Cl. .... D6/465**

(58) **Field of Search** ..... D6/409-415, 449,  
D6/462, 464, 465, 466, 467, 468, 552,  
558; 211/13.1, 34, 36, 37, 90.03, 90.04,  
100, 123, 133.2, 181.1, 182, 57.1, 59.1,  
205; 248/127, 163.1, 175, 448, 465.1

(56) **References Cited**

**U.S. PATENT DOCUMENTS**

567,903 A \* 9/1896 Lambert ..... 211/34

764,343 A \* 7/1904 Bowen ..... 211/34  
D201,332 S \* 6/1965 Caldwell ..... D6/465  
D260,466 S \* 9/1981 Butcher et al. .... D6/410  
D314,286 S \* 2/1991 Glassenberg ..... D6/411

\* cited by examiner

*Primary Examiner*—Mimosa De

(74) *Attorney, Agent, or Firm*—Donald O. Nickey

(57) **CLAIM**

The ornamental design for a footwear storage rack, as shown and described.

**DESCRIPTION**

FIG. 1 is an isometric view of a footwear storage rack showing my new design;

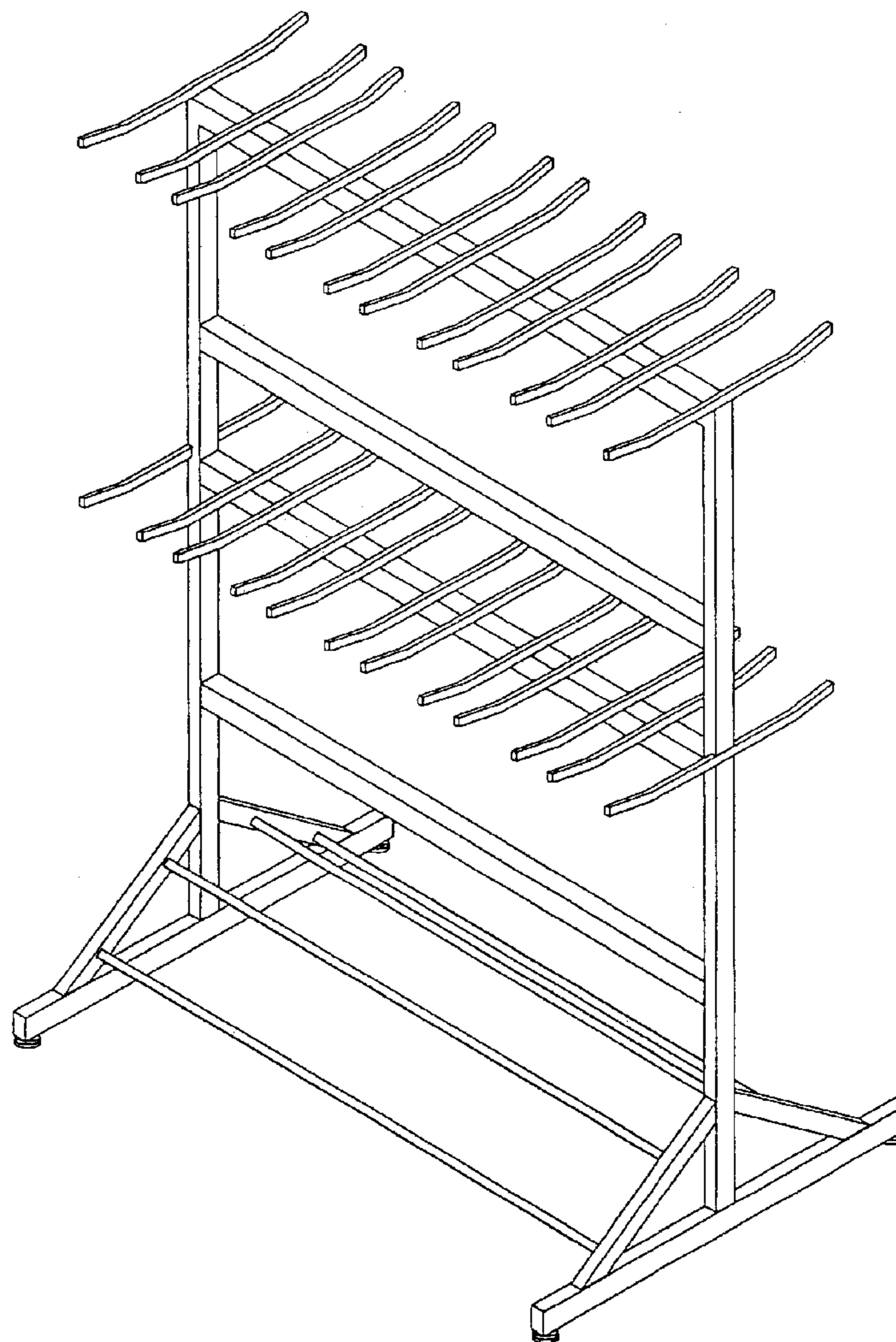
FIG. 2 is a side elevation view.

FIG. 3 is a front and rear elevation view;

FIG. 4 is a top plan view thereof; and,

FIG. 5 is a bottom plan view.

**1 Claim, 5 Drawing Sheets**



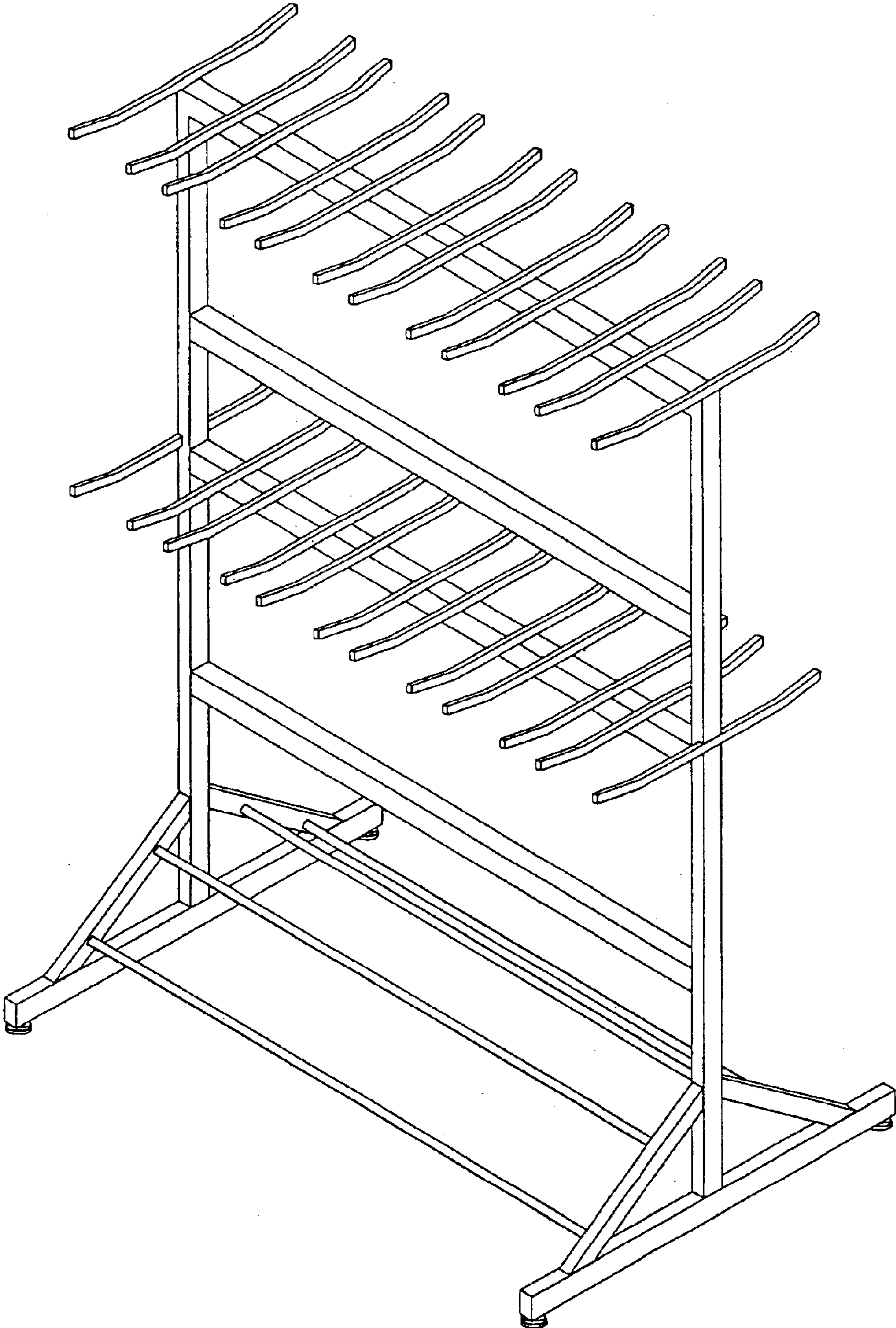


FIG. 1

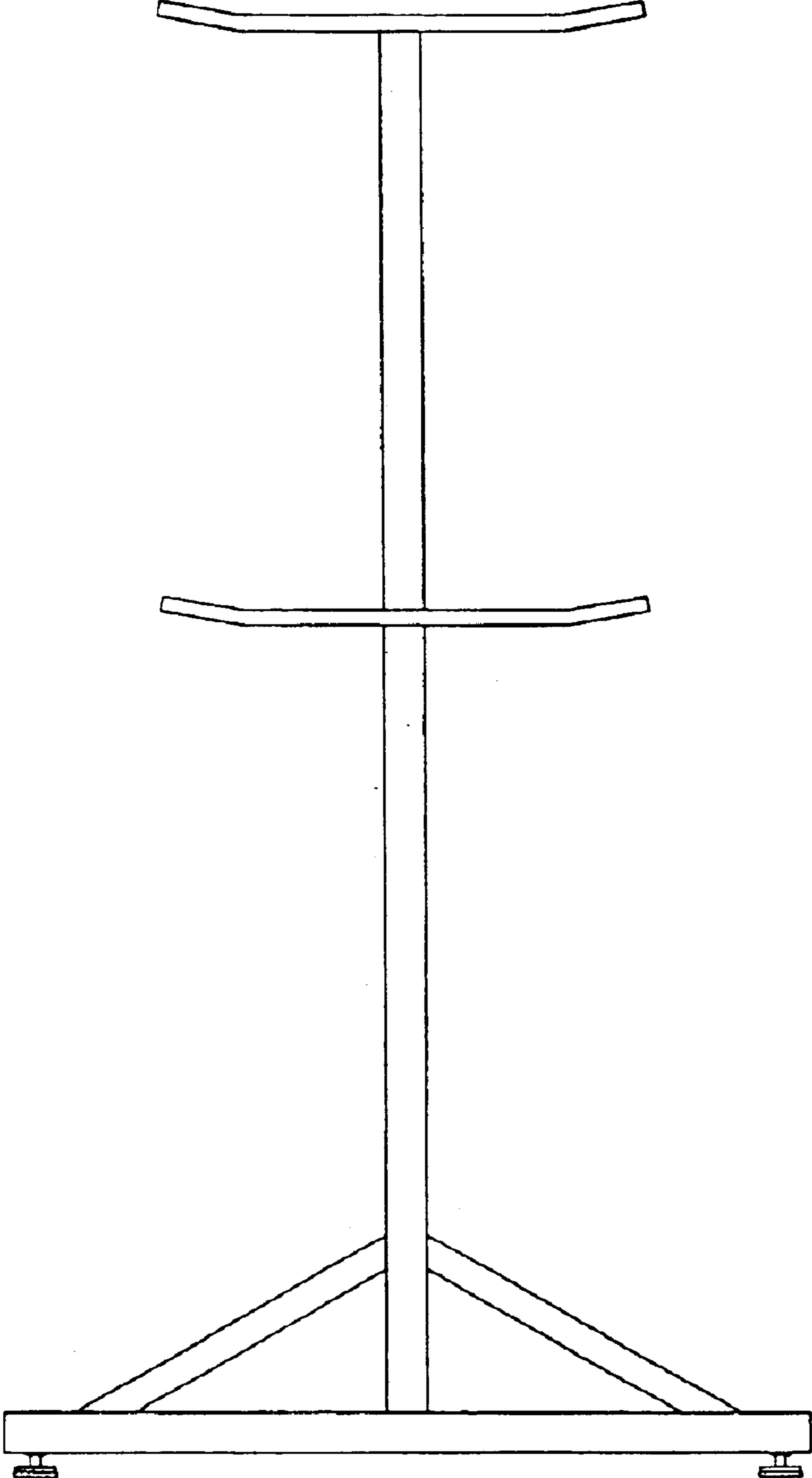


FIG. 2

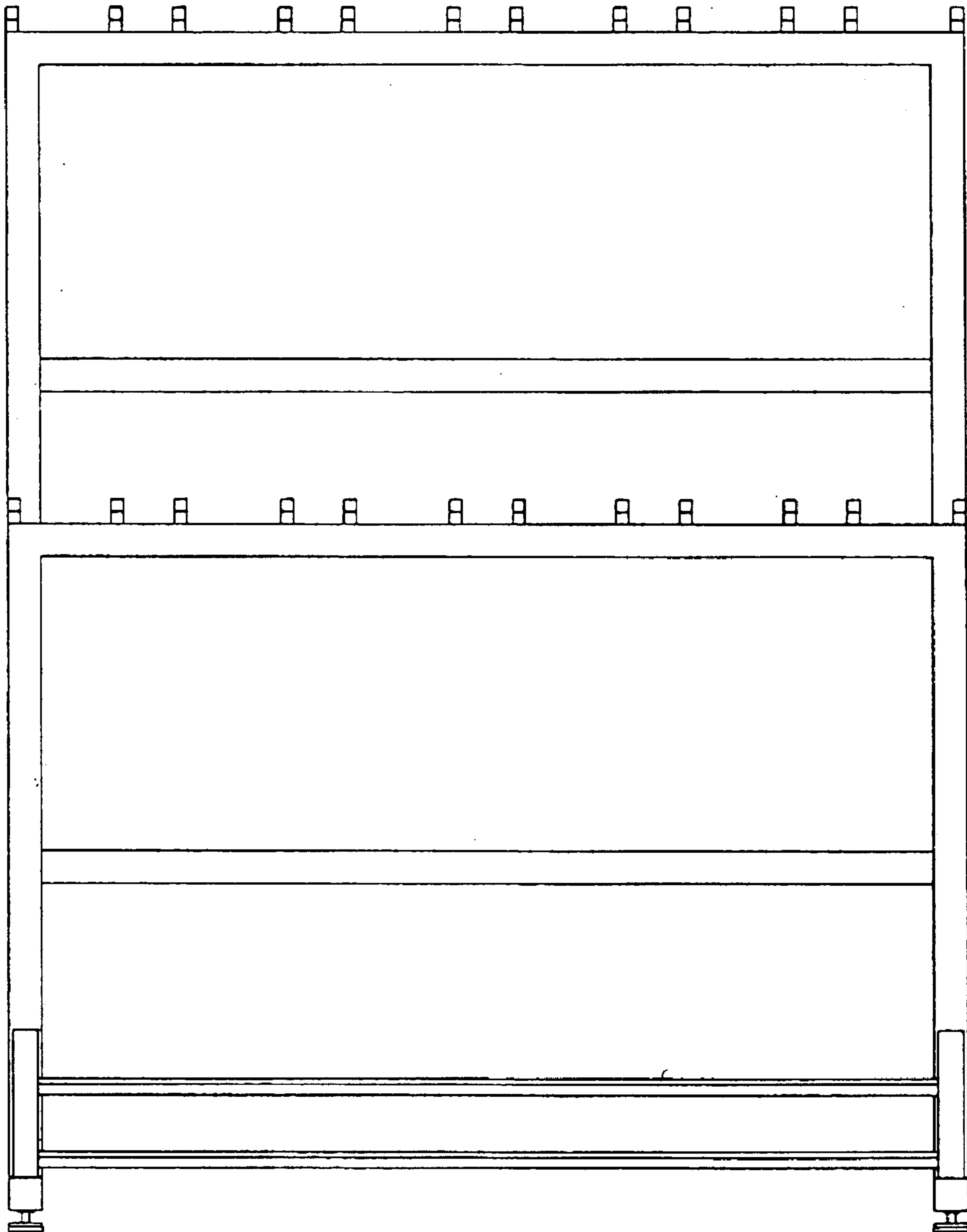


FIG. 3

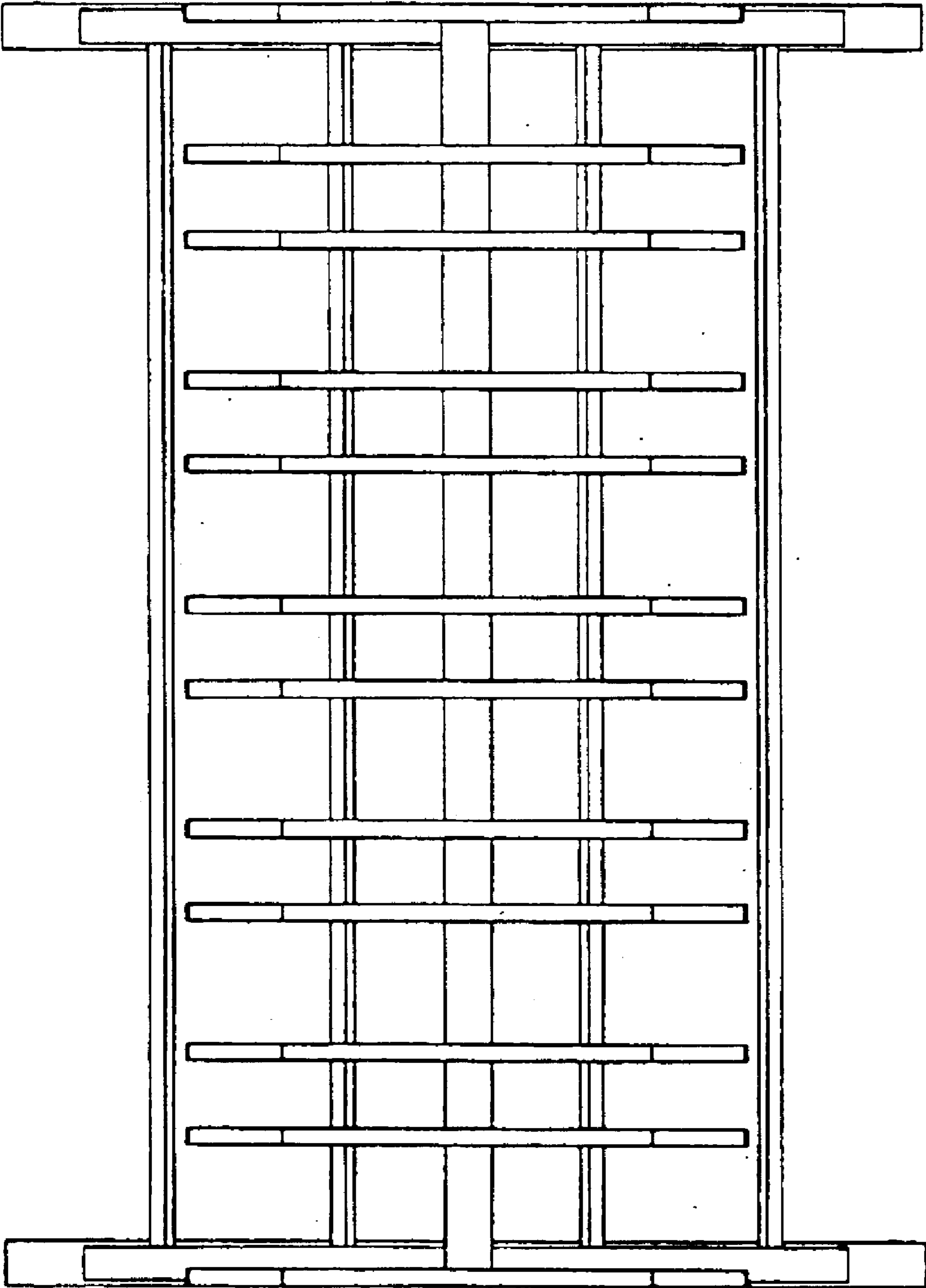


FIG. 4

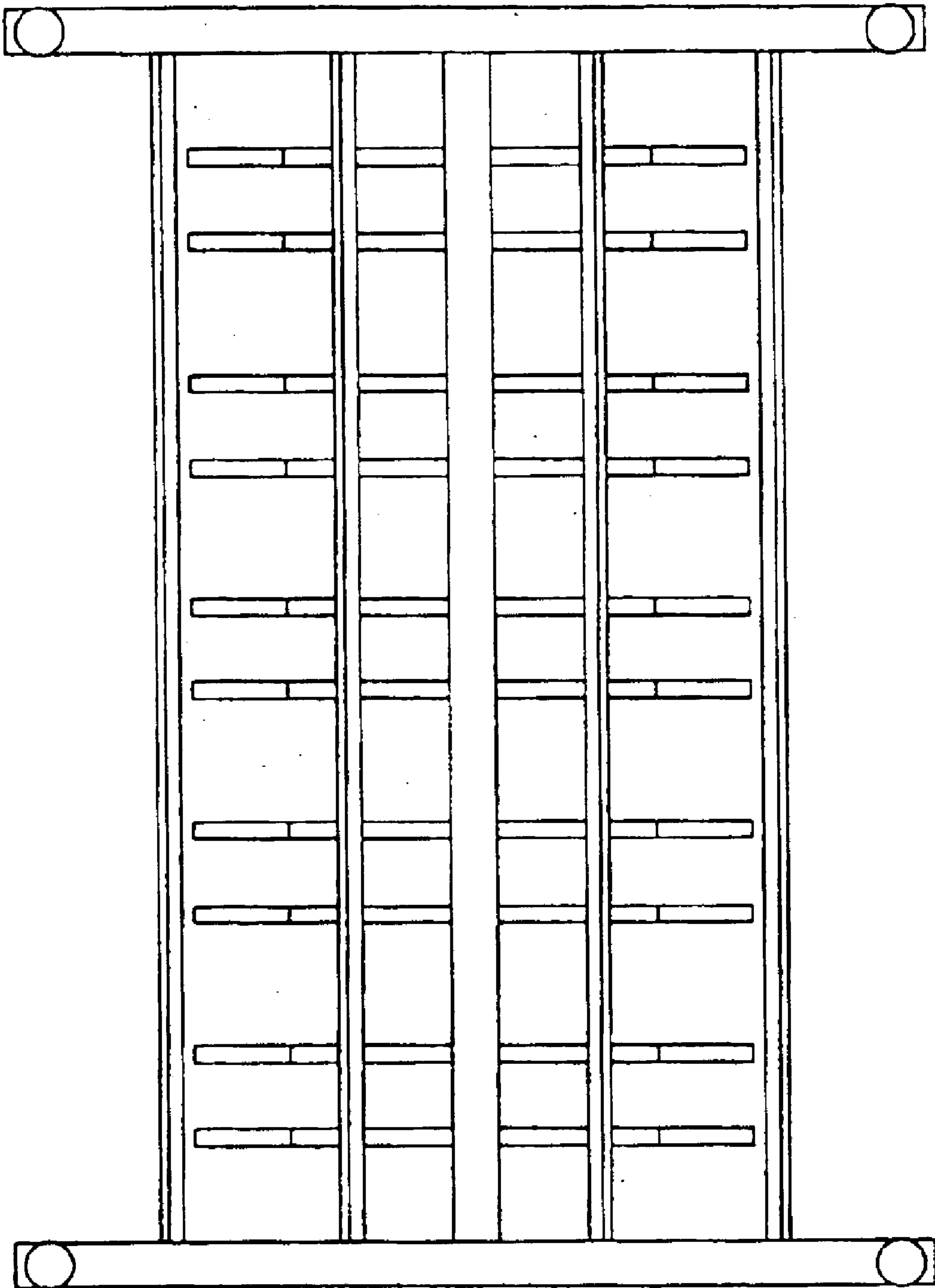


FIG. 5