

US00D494775S1

(12) **United States Design Patent**  
**Birmingham**

(10) **Patent No.: US D494,775 S**

(45) **Date of Patent: \*\* Aug. 24, 2004**

(54) **FIVE SHELF ROTATABLE STORAGE UNIT**

(75) Inventor: **Gerald D. Birmingham**, Skiatook, OK (US)

(73) Assignee: **Front and Center Technologies, LLC**, Tahlequah, OK (US)

(\*\*) Term: **14 Years**

(21) Appl. No.: **29/198,751**

(22) Filed: **Feb. 4, 2004**

(51) **LOC (7) Cl. .... 06-04**

(52) **U.S. Cl. .... D6/456; D6/469**

(58) **Field of Search .... D6/449, 455, 456, D6/467, 468, 469, 514, 569; D7/600.2, 708; 211/71.01, 74, 77, 80; 206/139; 312/267**

2,856,254 A	10/1958	Paulos et al.	
2,911,107 A	11/1959	Francavillo	
2,936,901 A	5/1960	Siemantel	
2,976,099 A	3/1961	Morrison	
3,012,762 A	12/1961	Norris	
D225,870 S	1/1973	Morgison	
D232,282 S	* 8/1974	Wagschal	..... D6/514
D320,141 S	* 9/1991	Farrell	..... D7/600.2
D334,510 S	* 4/1993	Ancona et al.	..... D7/600.2
D408,694 S	* 4/1999	Tisdale	..... D7/600.2
D413,491 S	* 9/1999	McCauley	..... D7/600.2

\* cited by examiner

*Primary Examiner*—Mimosa De

(74) *Attorney, Agent, or Firm*—Molly D. McKay

(57) **CLAIM**

The ornamental design for a five shelf rotatable storage unit, as shown and described.

(56) **References Cited**

**U.S. PATENT DOCUMENTS**

253,290 A	2/1882	Hunter
425,215 A	4/1890	Franklin
570,322 A	10/1896	Mansfeld
1,915,958 A	6/1933	Skirrow
2,743,982 A	5/1956	Stingl
2,743,983 A	5/1956	Stingl
2,853,353 A	9/1958	Scholfield et al.

**DESCRIPTION**

FIG. 1 is a perspective view of a five shelf rotatable storage unit showing my new design.

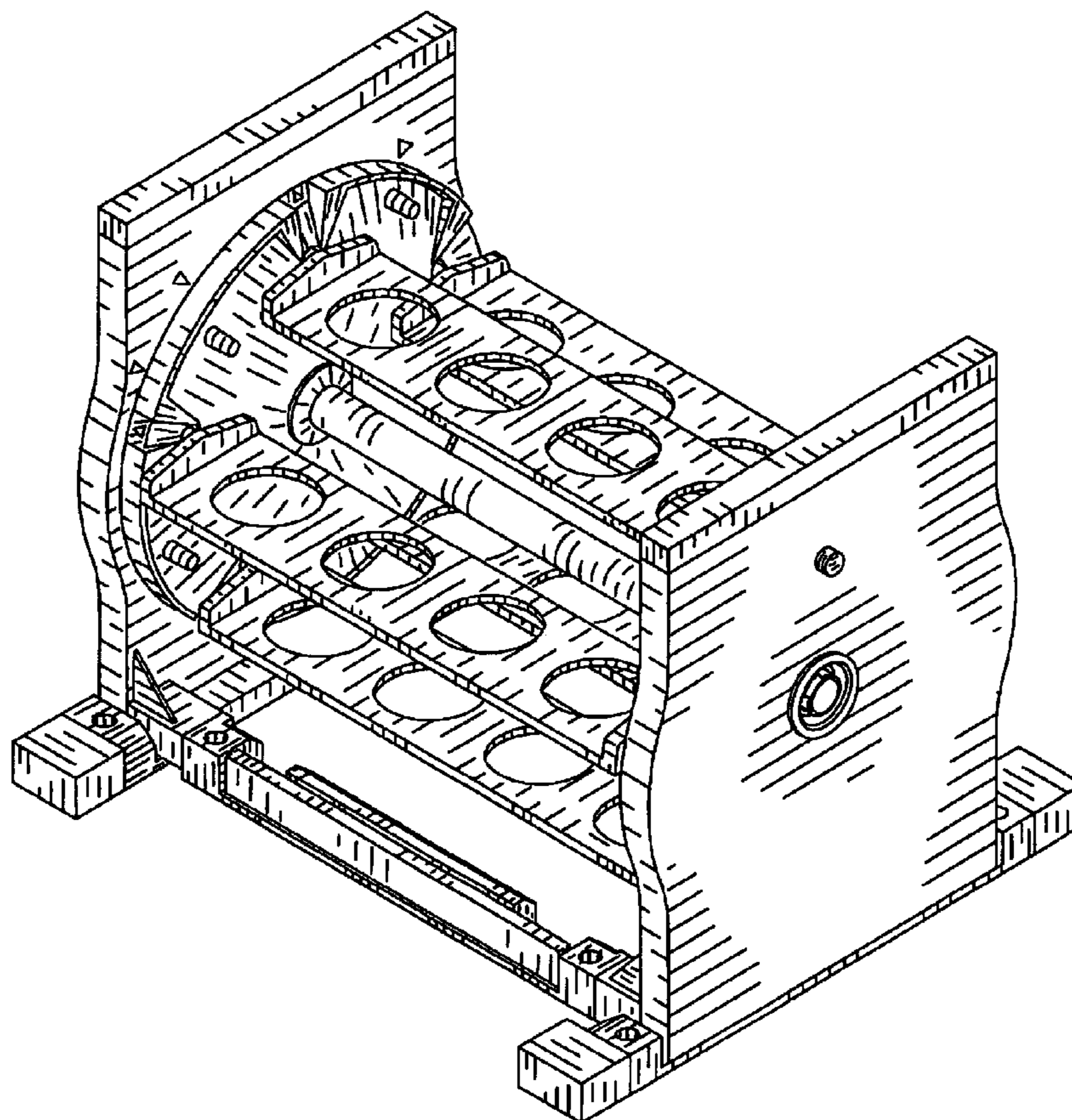
FIG. 2 is a reduced top plan view of FIG. 1.

FIG. 3 is bottom plan view thereof.

FIG. 4 is a side view thereof; and,

FIG. 5 is an end view thereof.

**1 Claim, 2 Drawing Sheets**



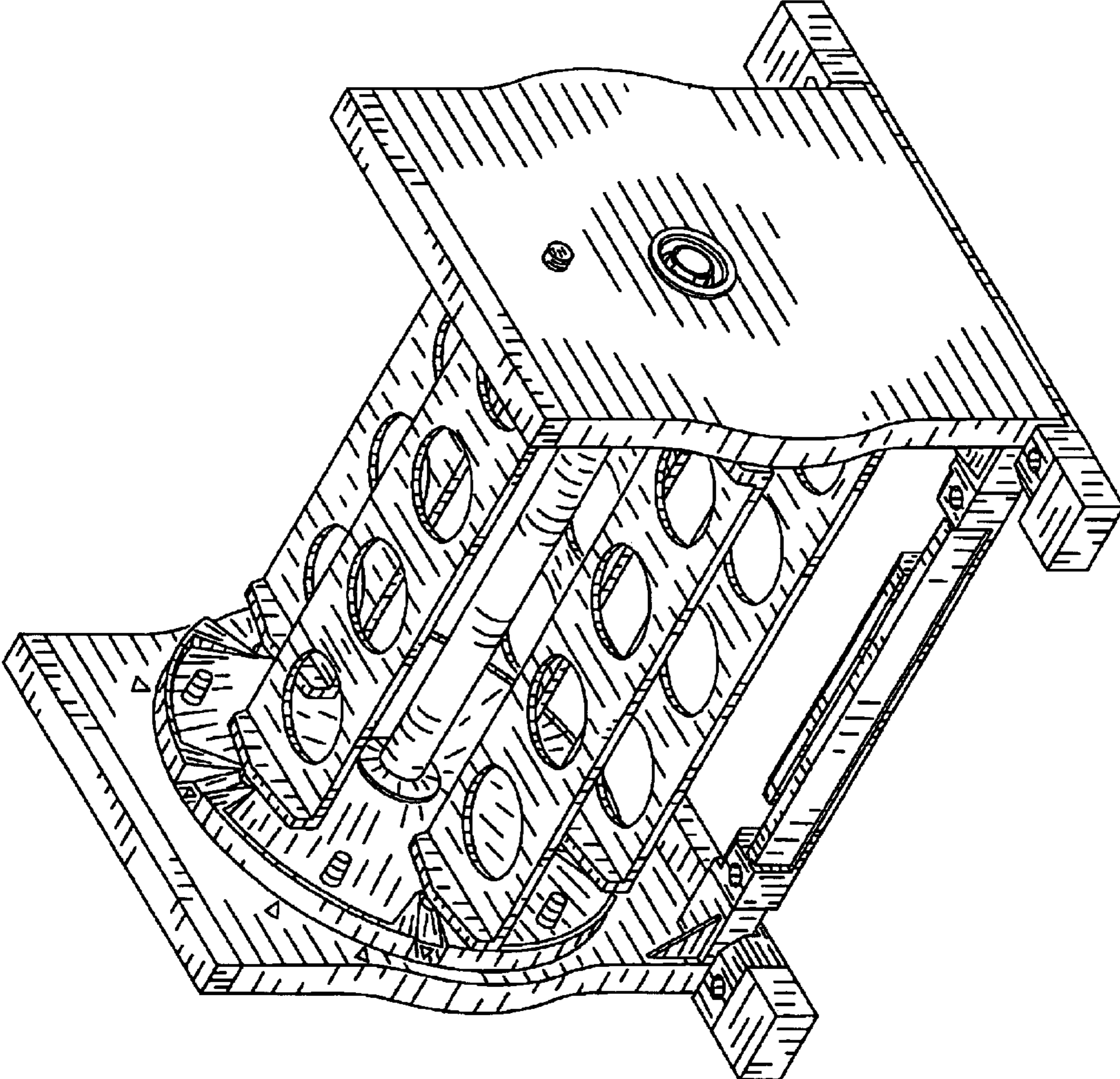


Fig. 1

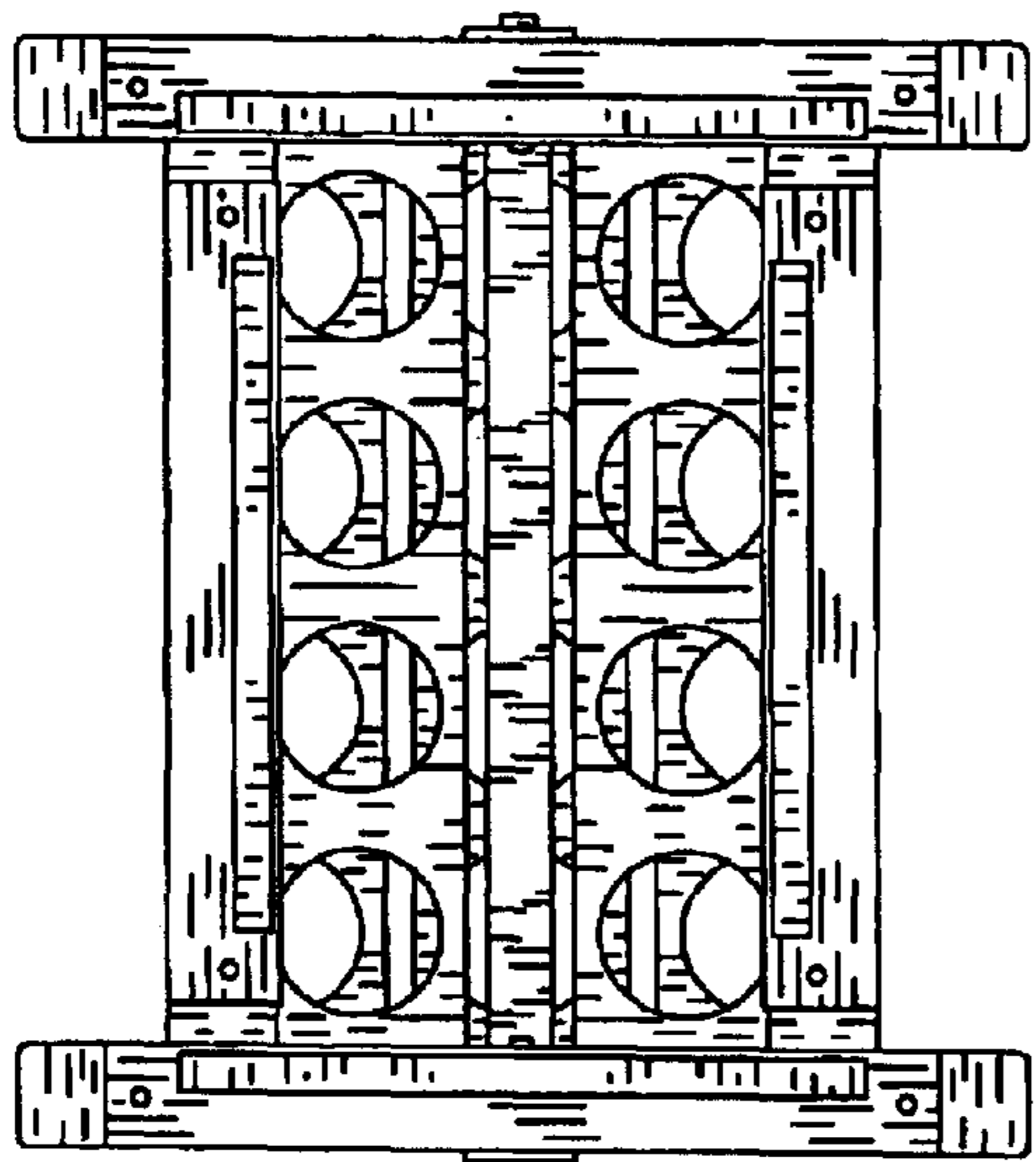


Fig. 3

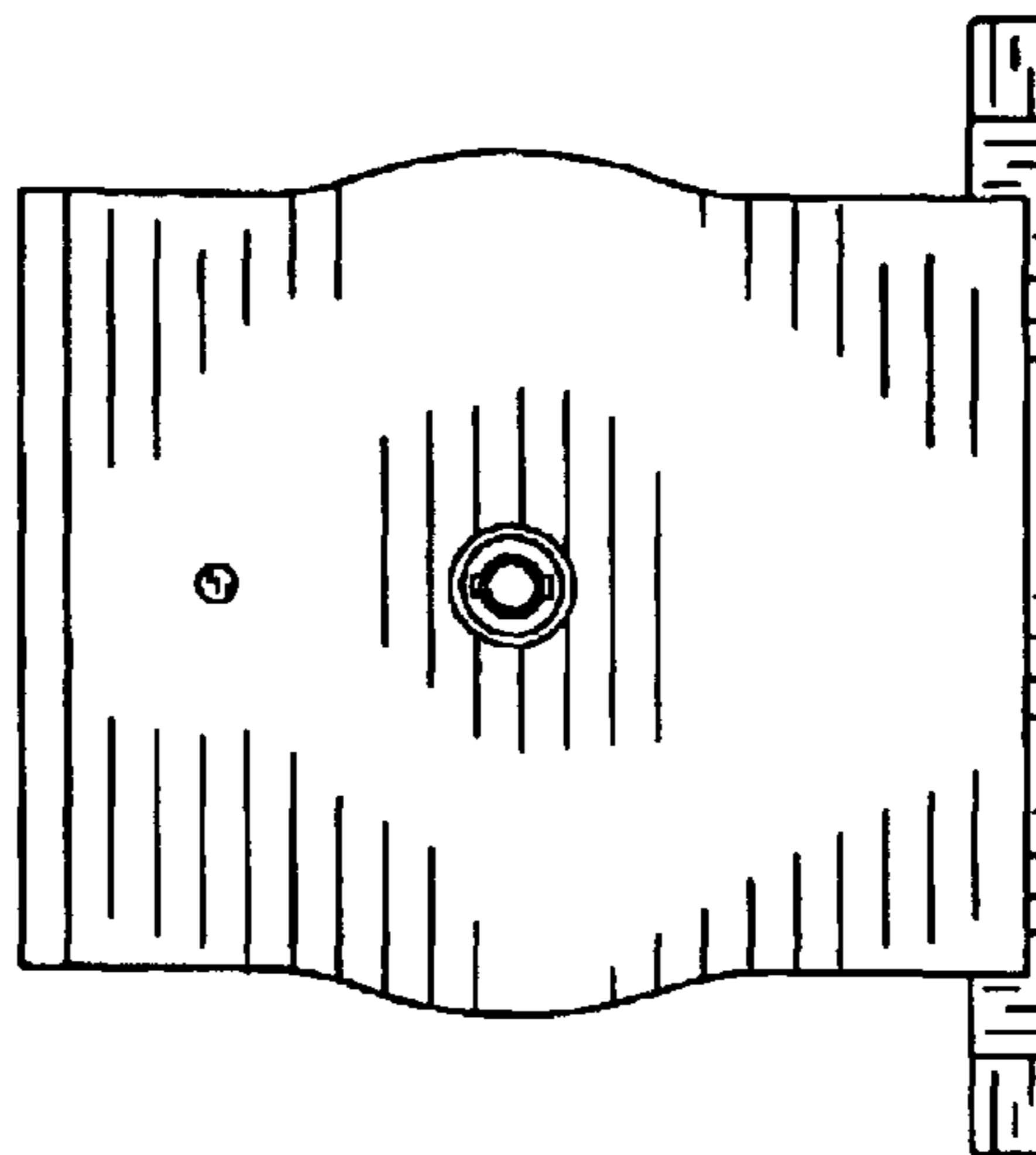


Fig. 5

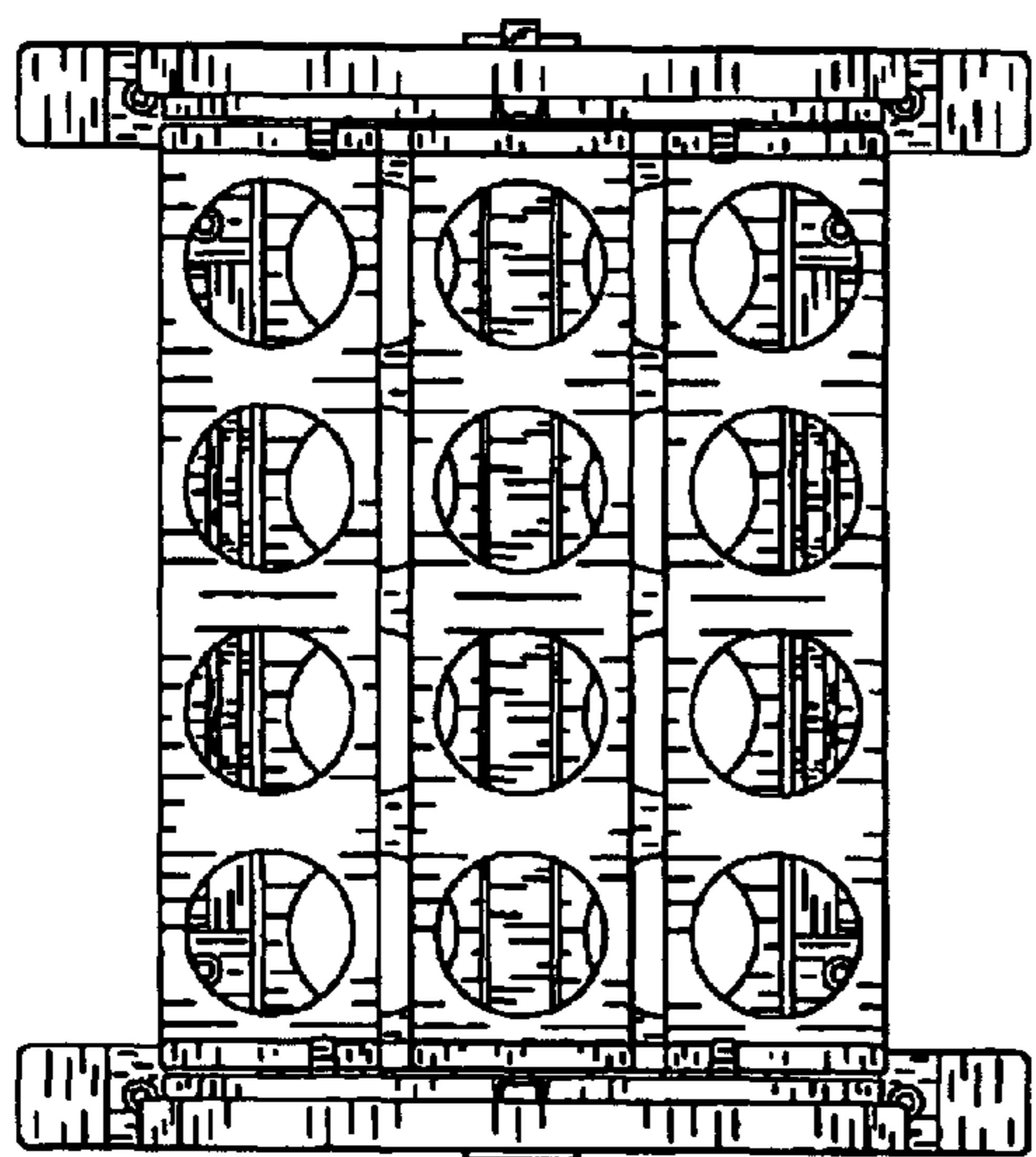


Fig. 2

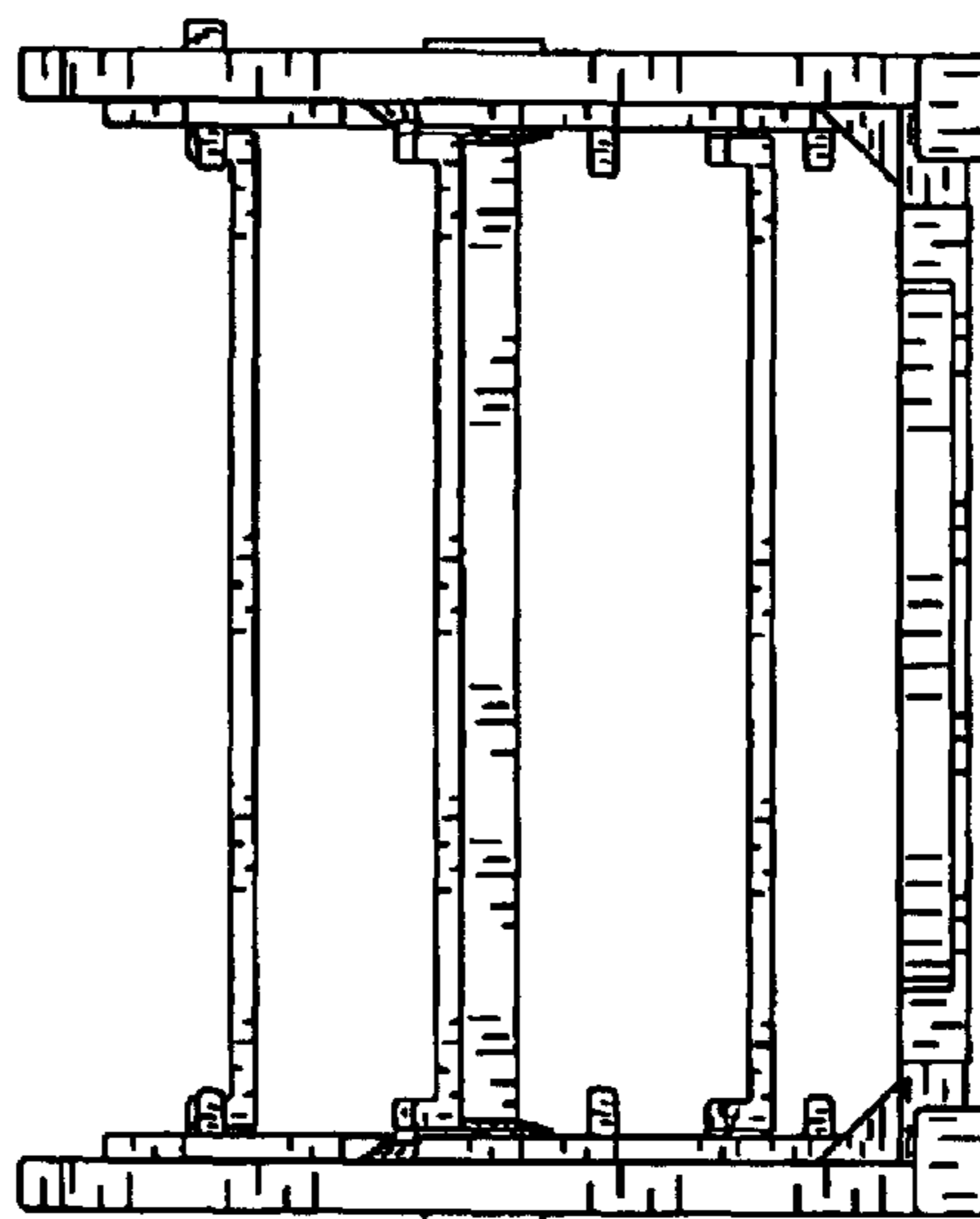


Fig. 4