



US00D494771S1

(12) **United States Design Patent**
de Blois

(10) **Patent No.:** **US D494,771 S**

(45) **Date of Patent:** **** Aug. 24, 2004**

(54) **CHAIR**

(75) **Inventor:** **Martin de Blois, Chicago, IL (US)**

(73) **Assignee:** **Baronet, Inc. (CA)**

(**) **Term:** **14 Years**

(21) **Appl. No.:** **29/178,173**

(22) **Filed:** **Mar. 21, 2003**

(51) **LOC (7) Cl. 06-01**

(52) **U.S. Cl. D6/380**

(58) **Field of Search** D6/334, 335, 360,
D6/374, 375, 379, 370, 380, 500, 501,
502; 297/445.1, 446.1

(56) **References Cited**

U.S. PATENT DOCUMENTS

D238,990 S	*	3/1976	Galvez	D6/374
D243,807 S	*	3/1977	Palmer	D6/380
D244,330 S	*	5/1977	Silbaugh	D6/380
D278,767 S	*	5/1985	Lundquist	D6/335
D292,656 S	*	11/1987	Masterton	D6/370
D296,501 S	*	7/1988	Lundquist	D6/380

D359,397 S	*	6/1995	McPhee	D6/370
D458,467 S	*	6/2002	Starck	D6/374
D460,282 S	*	7/2002	Starck	D6/374
D468,919 S	*	1/2003	Juneau	D6/360
D468,922 S	*	1/2003	de Blois	D6/374

* cited by examiner

Primary Examiner—Gary D. Watson

(74) *Attorney, Agent, or Firm*—SAIDMAN DesignLaw Group

(57) **CLAIM**

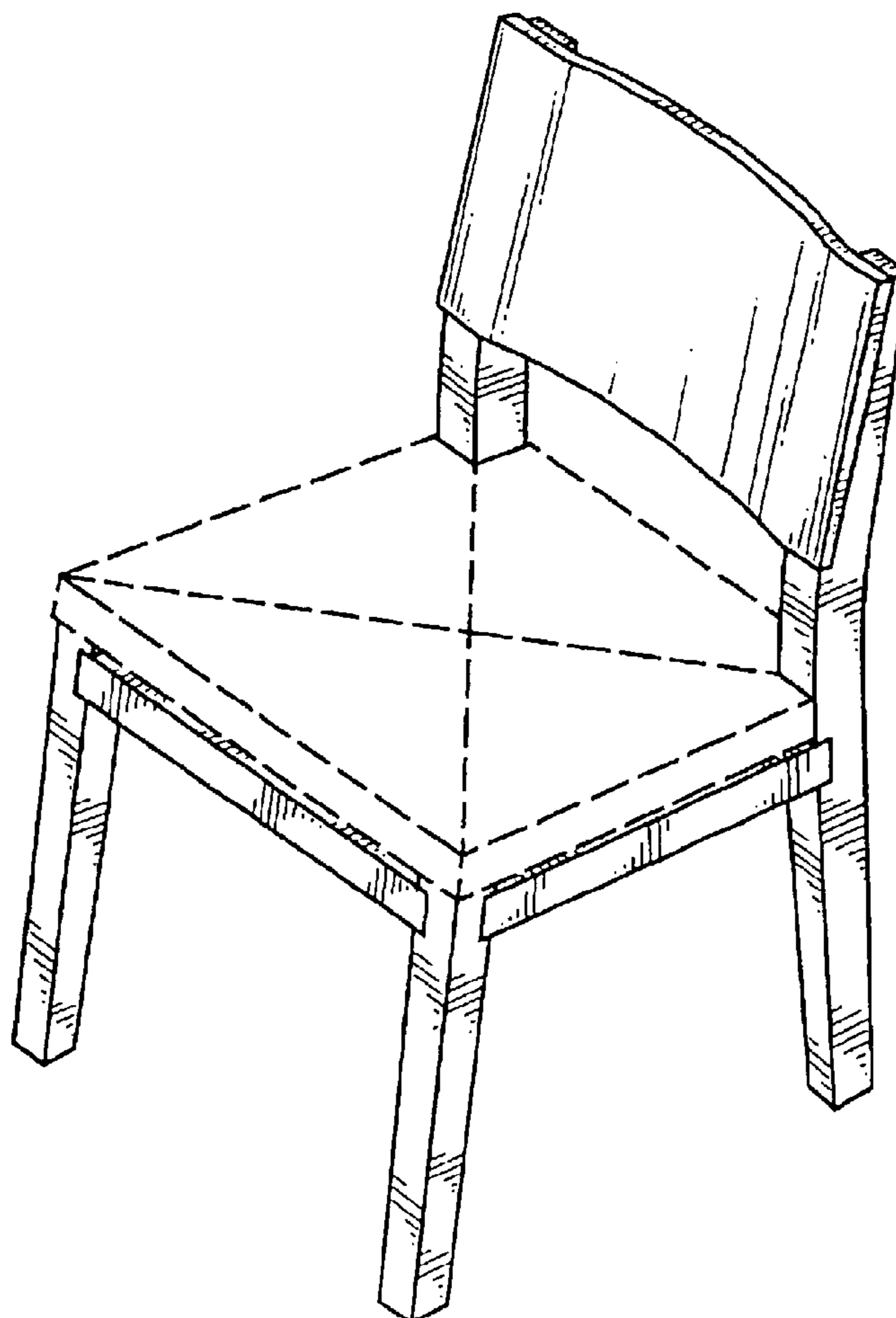
The ornamental design for a chair, as shown and described.

DESCRIPTION

FIG. 1 is a perspective view of a chair of my new design (the shading is not intended to indicate anything in particular); FIG. 2 is a front view of thereof; FIG. 3 is a left-side view thereof, the right-side view being a mirror-image; and, FIG. 4 is a top view thereof.

The broken lines in drawings, indicating that no particular cushion is being claimed, represent environmental subject matter and form no part of the claimed design.

1 Claim, 3 Drawing Sheets



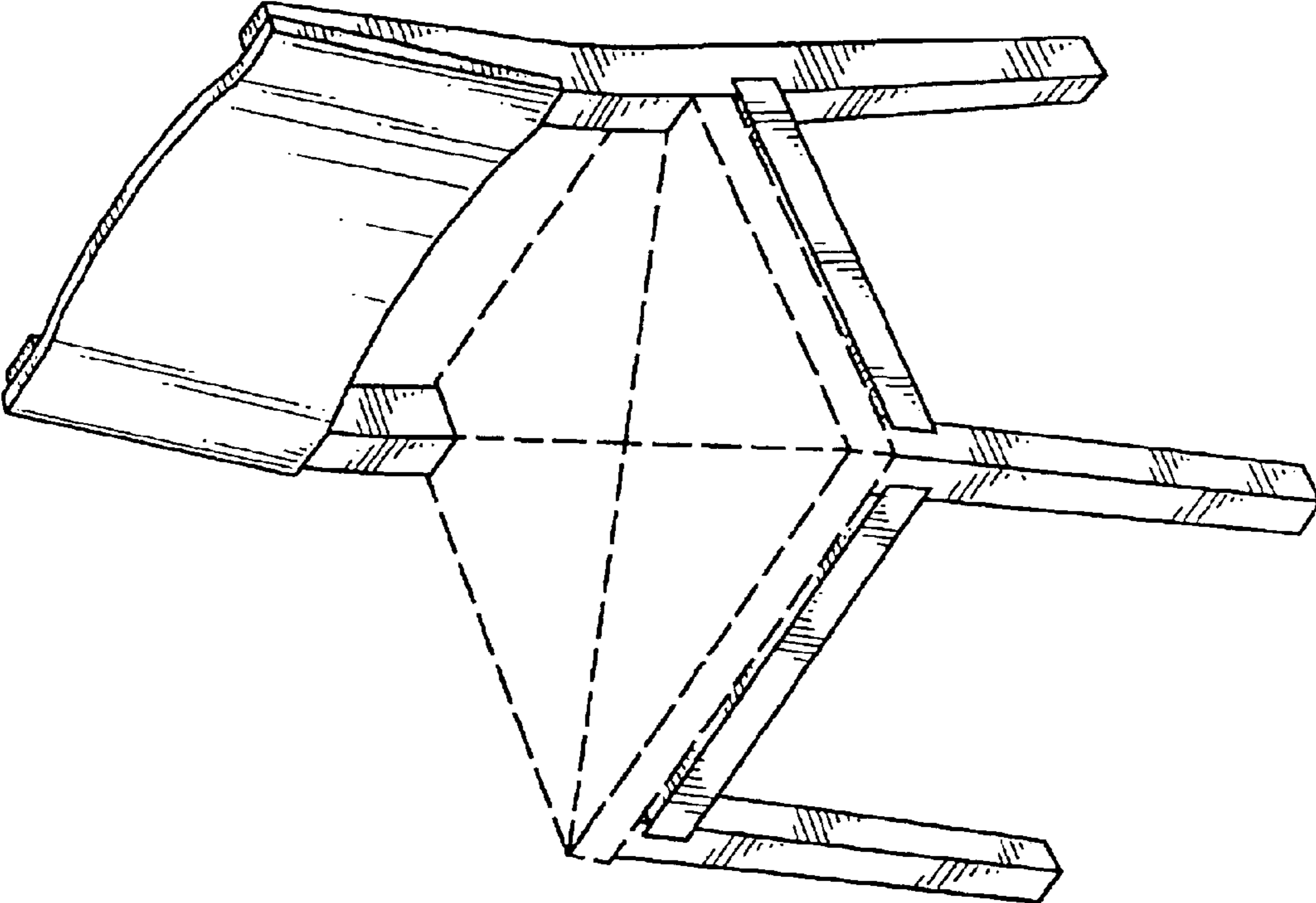


FIG.1

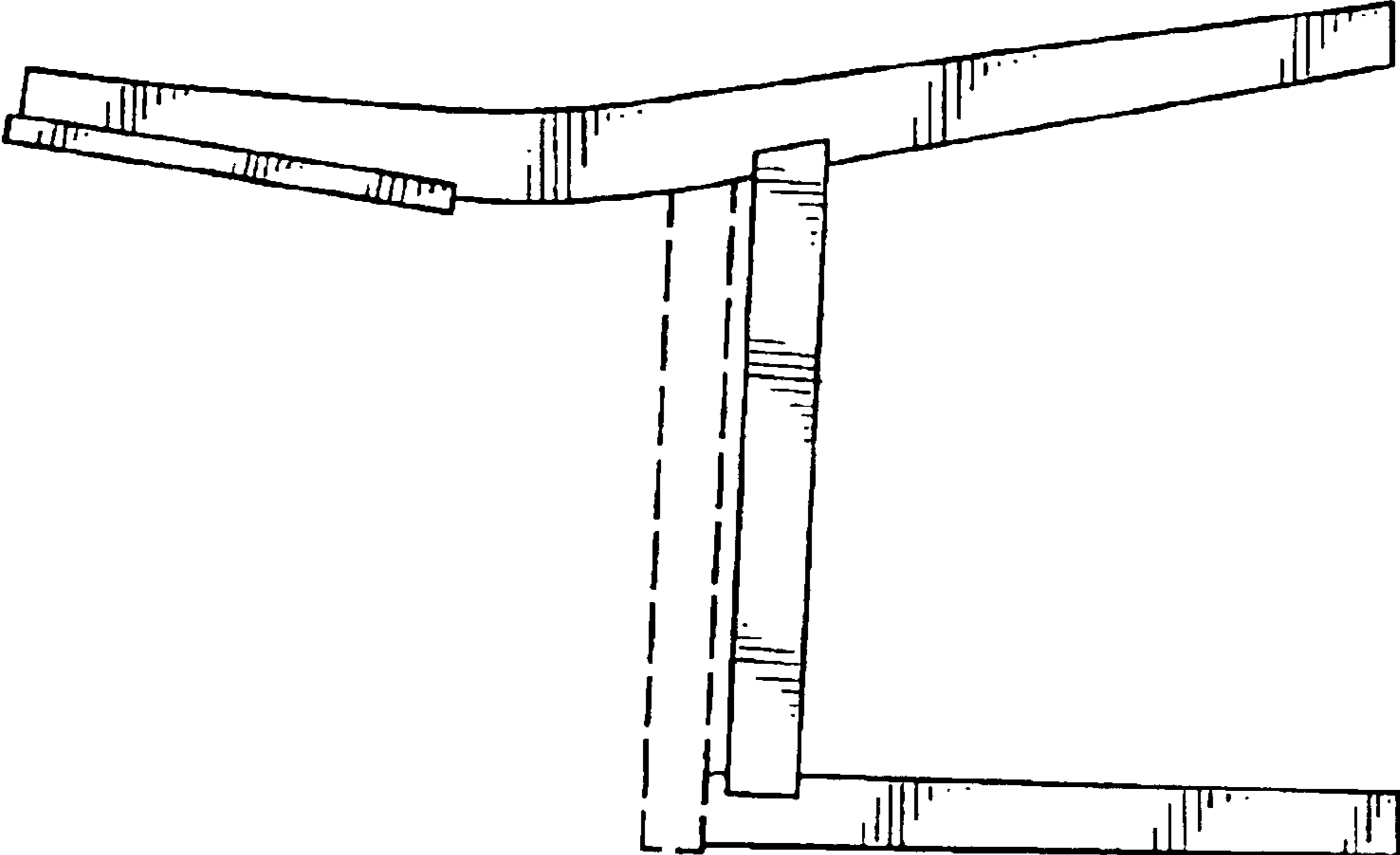


FIG.3

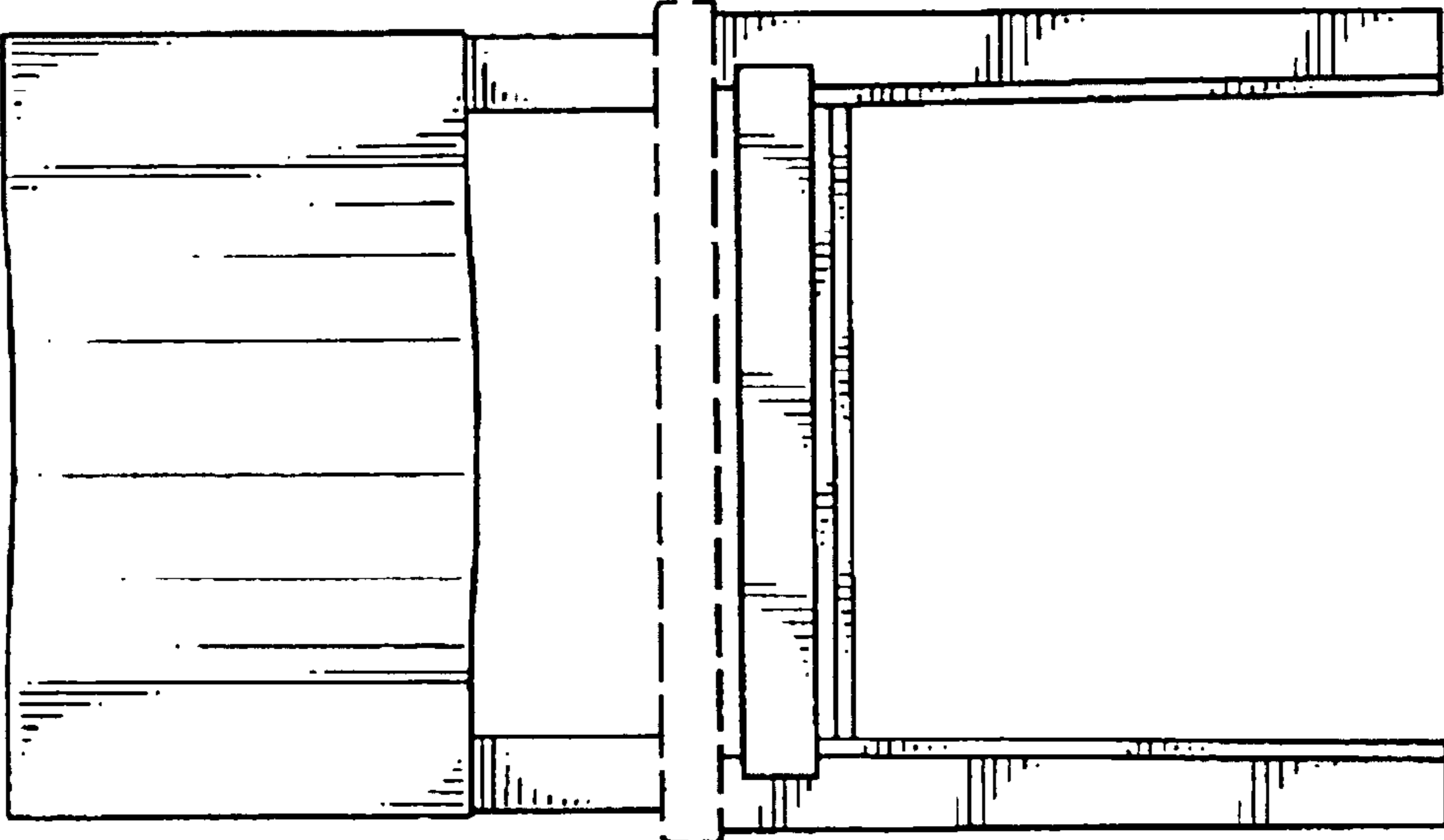


FIG.2

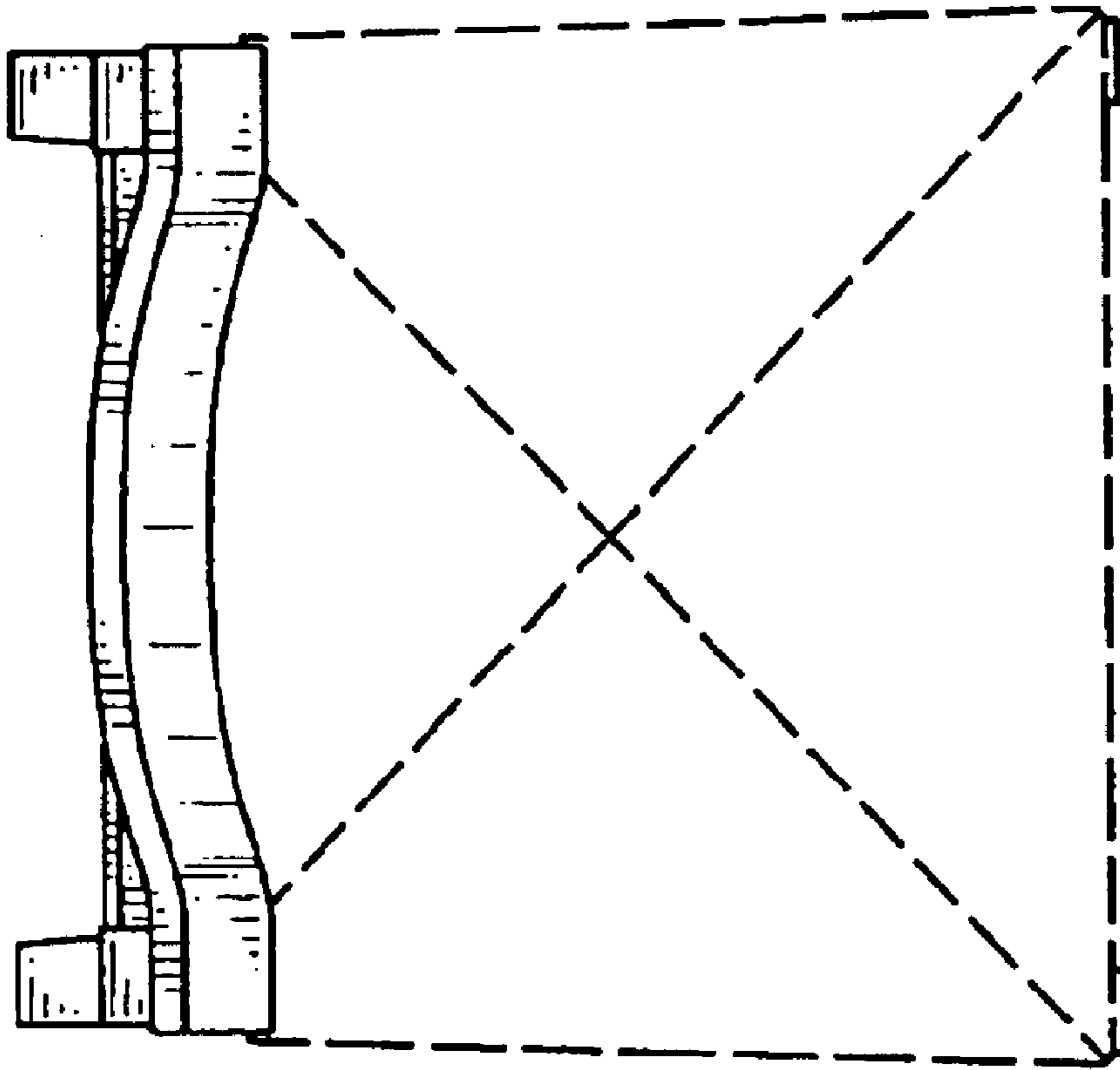


FIG.4