

US00D494759S1

(12) **United States Design Patent**
Louie et al.

(10) **Patent No.: US D494,759 S**
(45) **Date of Patent: ** Aug. 24, 2004**

(54) **STORAGE CONTAINER**

(75) Inventors: **Shelton Louie**, Vancouver, WA (US);
Stephen A. Garrett, Vancouver, WA
(US); **Philip M. Krebs**, West Linn, OR
(US)

(73) Assignee: **GSL Solutions, Inc.**, Vancouver, WA
(US)

(**) Term: **14 Years**

(21) Appl. No.: **29/186,484**

(22) Filed: **Jul. 15, 2003**

(51) **LOC (7) Cl. 03-01**

(52) **U.S. Cl. D3/304**

(58) **Field of Search** D3/304, 307, 313,
D3/314, 201, 297; D9/414, 418, 424, 432;
D6/396, 627, 449; D19/75, 92; D15/89;
220/500, 676; 206/215, 425, 555, 459.1,
775, 776, 557, 815; 312/119, 122, 126,
330.1, 333, 902, 249.11, 249.4, 214, 350,
404; 211/85.17, 88.1, 126.1, 126.15

(56) **References Cited**

U.S. PATENT DOCUMENTS

D191,144 S * 8/1961 Schanz D3/307
D242,021 S * 10/1976 Shanklin D9/418
D268,622 S * 4/1983 Wolters et al. D3/314

4,627,535 A * 12/1986 Kirchner et al. 206/425
D316,516 S * 4/1991 Poirier D9/424
5,285,900 A * 2/1994 Swingler 220/676
D387,981 S * 12/1997 Mosior et al. D3/304
6,588,590 B1 * 7/2003 Wang 206/425
D484,150 S * 12/2003 Becke D15/89

* cited by examiner

Primary Examiner—Louis S. Zarfaz

Assistant Examiner—Deanne Levy

(74) *Attorney, Agent, or Firm*—Ipsolon LLP

(57) **CLAIM**

The ornamental design for a storage container, as shown and described.

DESCRIPTION

FIG. 1 is a front, right, perspective view of a storage container showing our design;
FIG. 2 is a back, left, perspective view thereof;
FIG. 3 is a top plan view thereof;
FIG. 4 is a bottom plan view thereof;
FIG. 5 is a left, side view thereof, the right side view being a mirror image of the left, side view;
FIG. 6 is a front view thereof; and,
FIG. 7 is a back view thereof.

The broken lines are for illustrative purpose only and form no part of the claimed design.

1 Claim, 3 Drawing Sheets

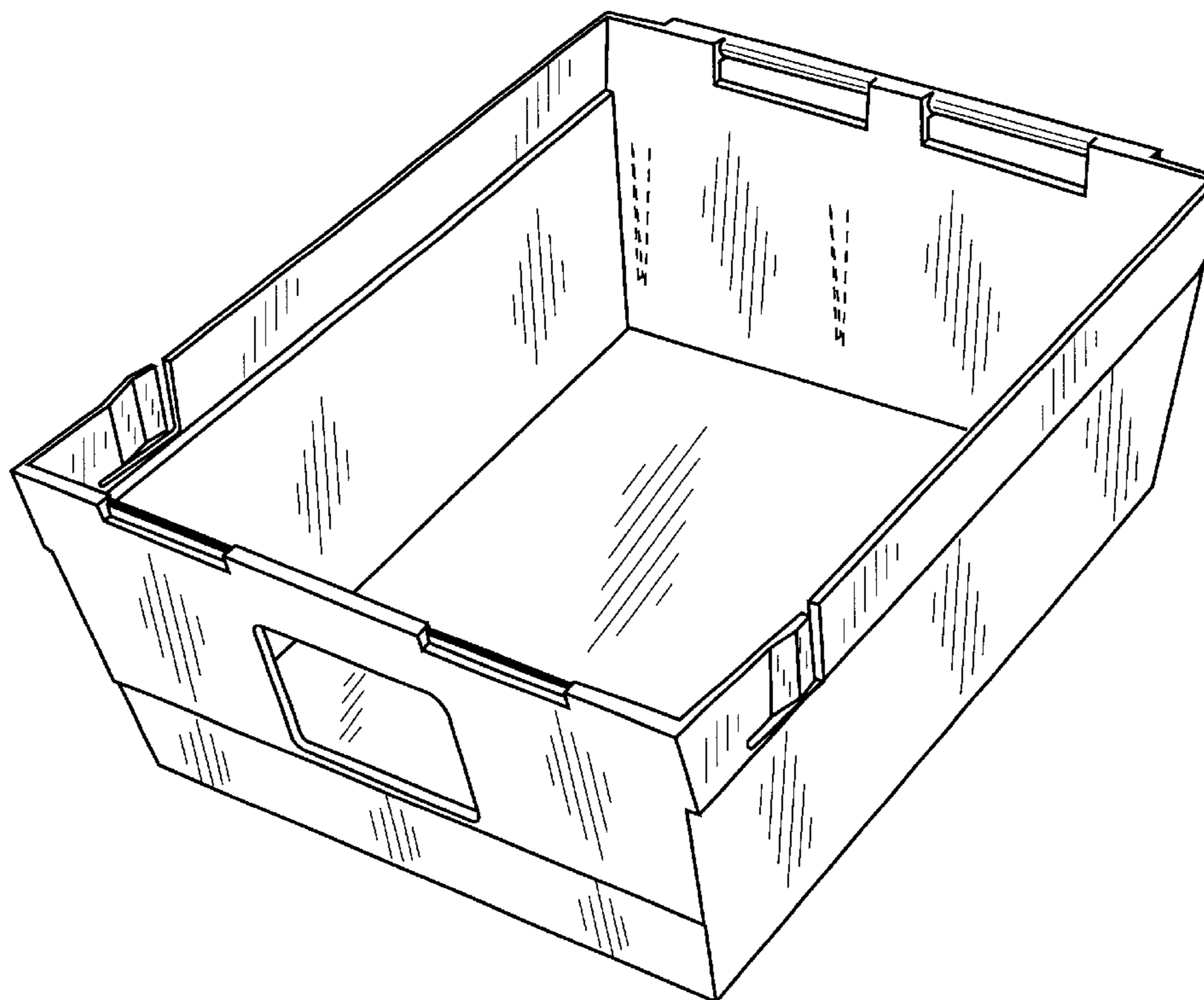


FIG. 1

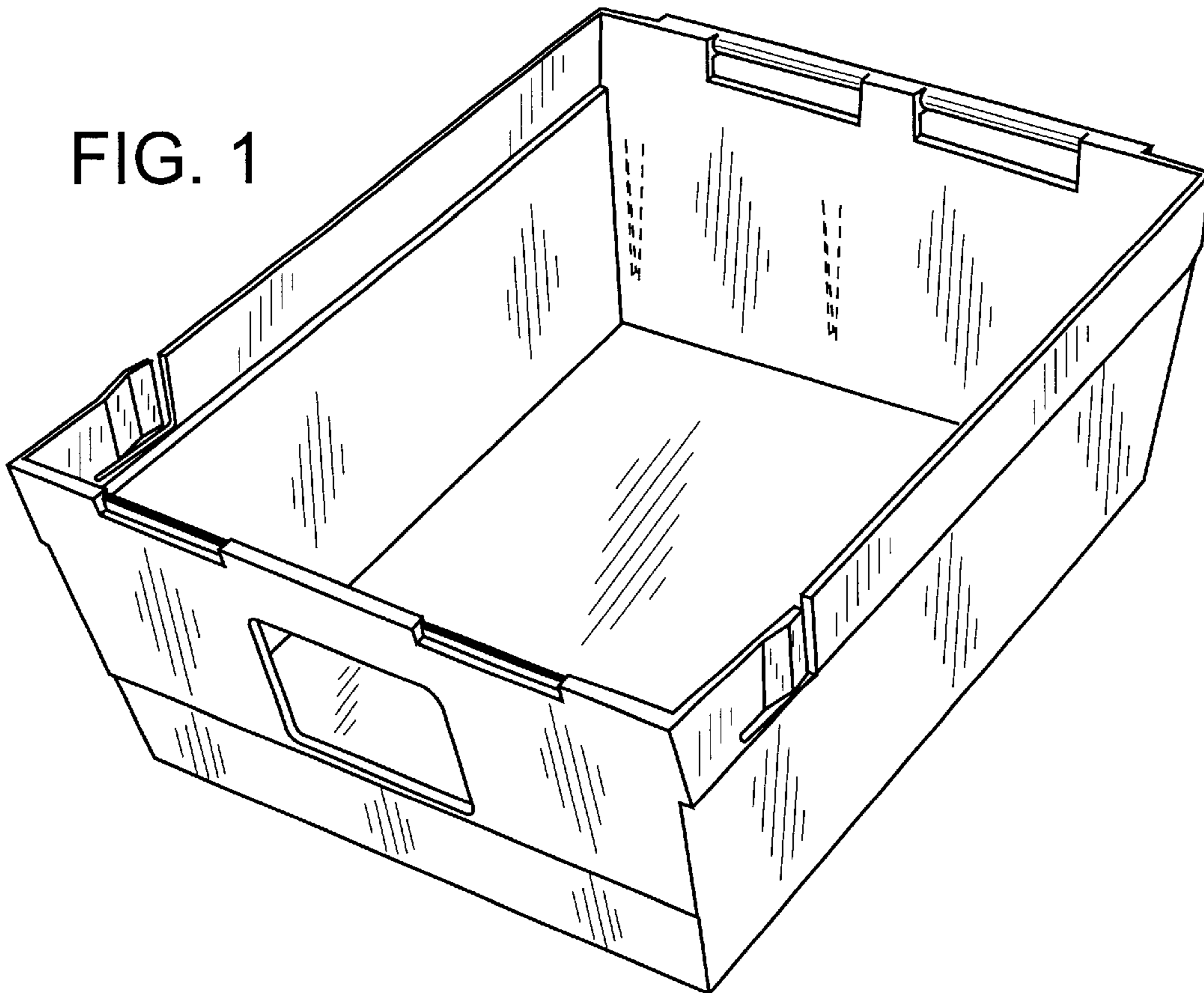


FIG. 2

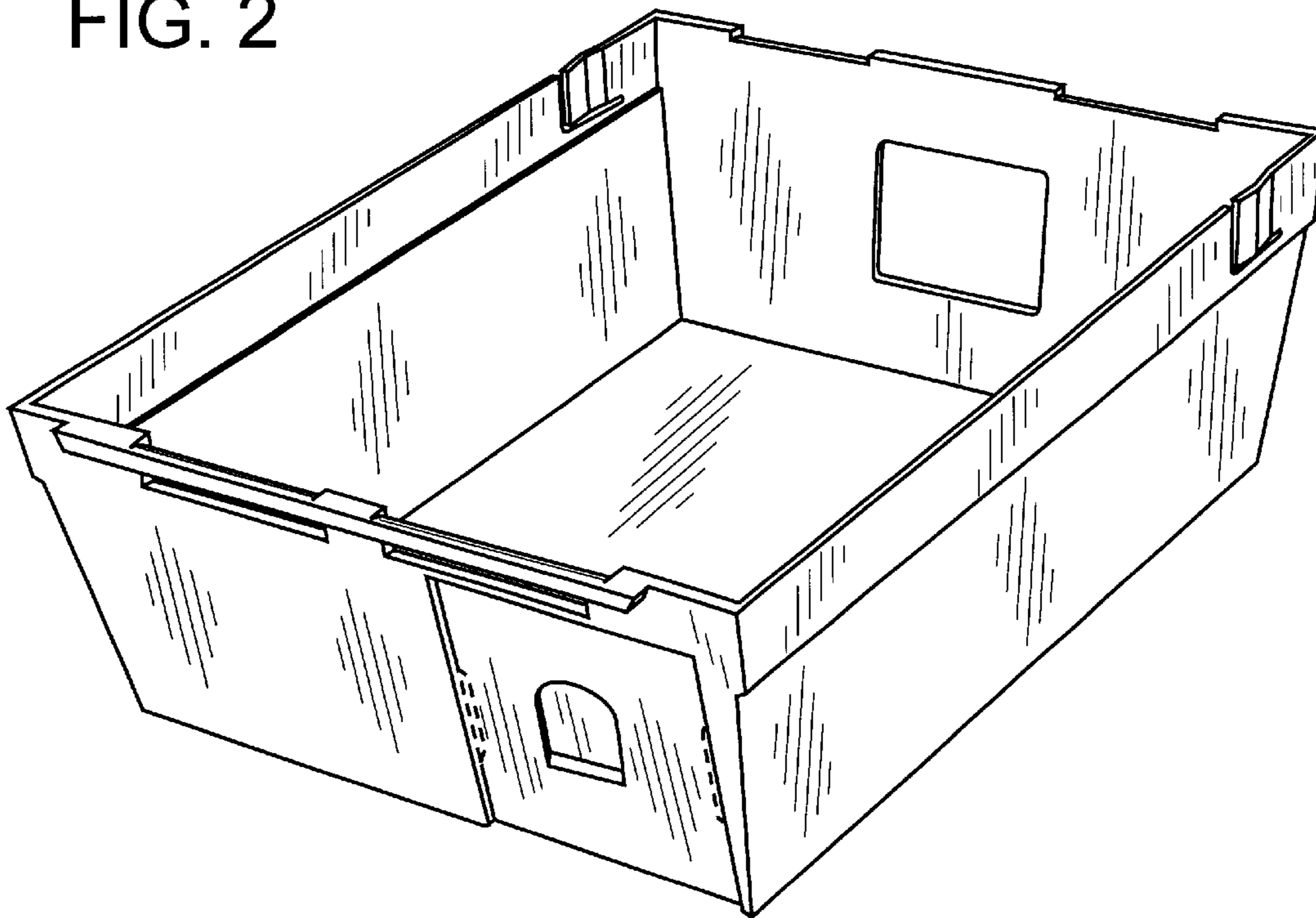


FIG. 3

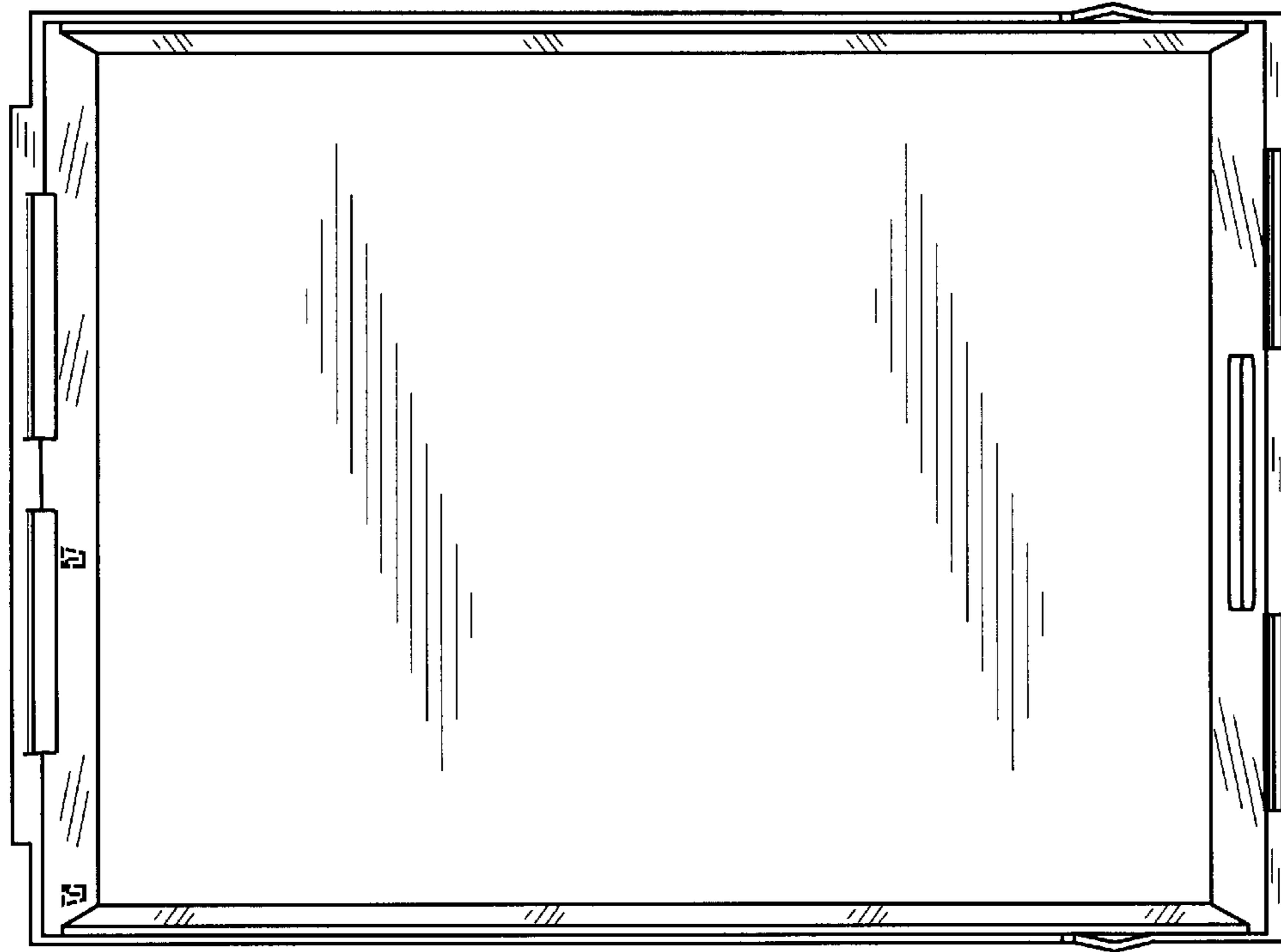


FIG. 4

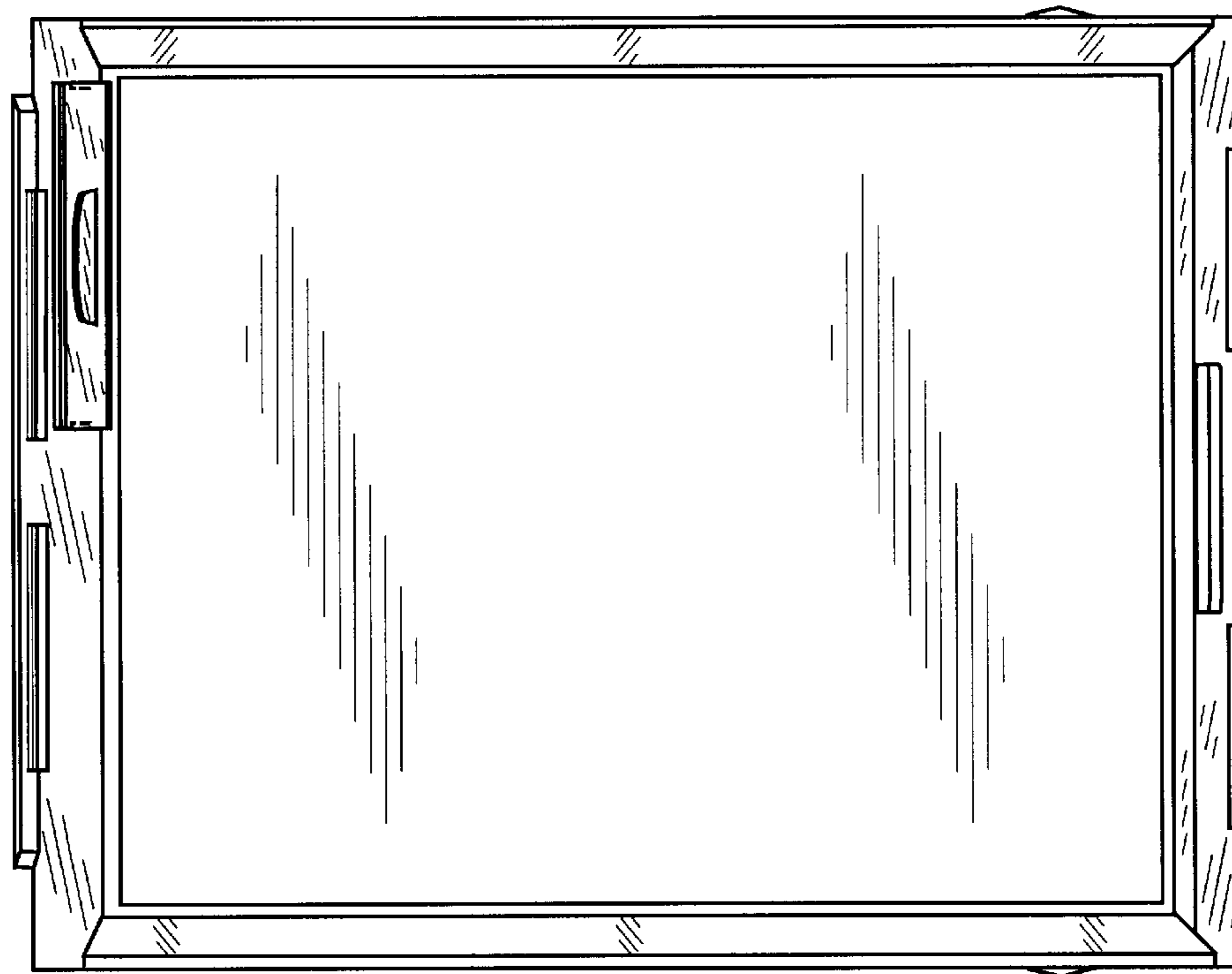


FIG. 5

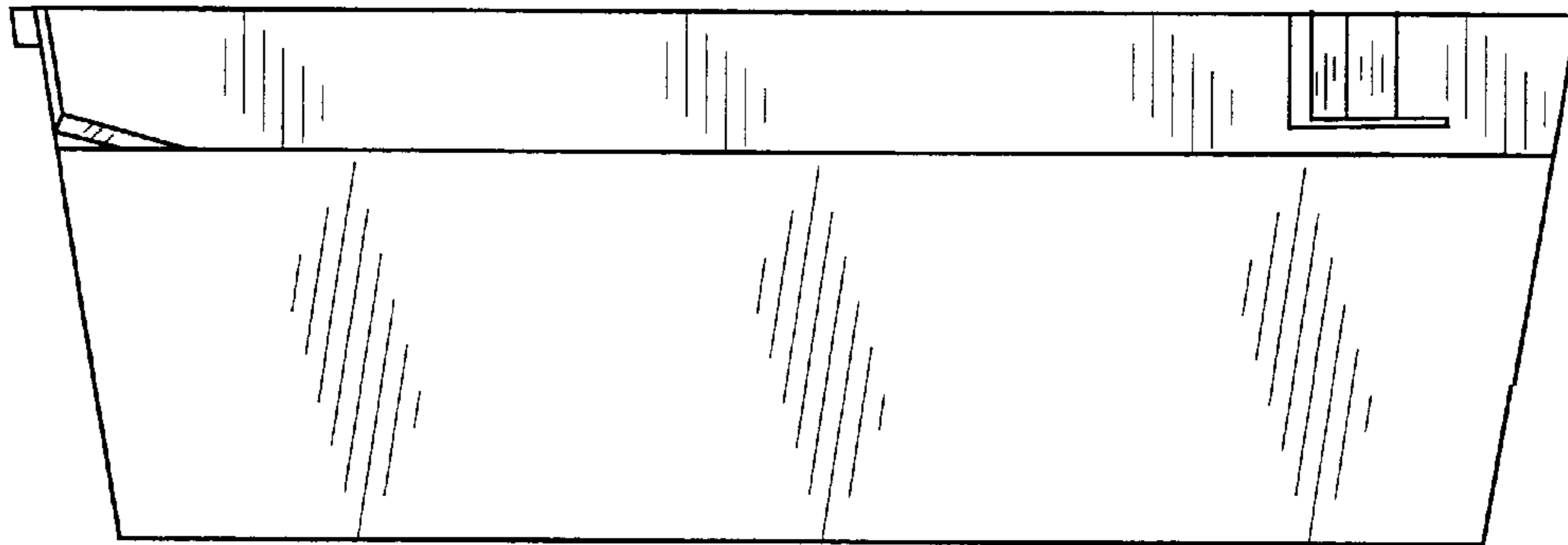


FIG. 6

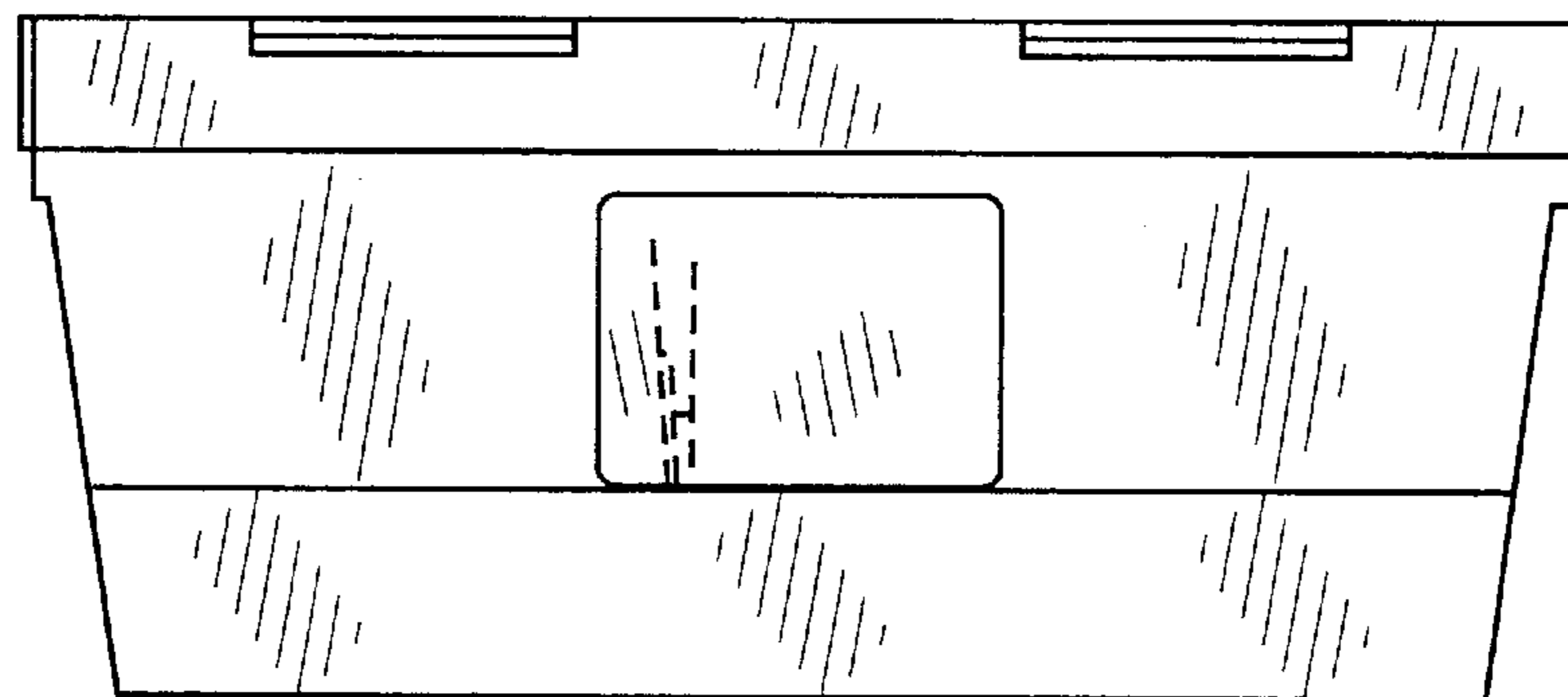


FIG. 7

