



US00D494758S1

(12) **United States Design Patent** (10) **Patent No.:** **US D494,758 S**
DeCarlo et al. (45) **Date of Patent:** **** Aug. 24, 2004**

(54) **COLLAPSIBLE STORAGE CONTAINER**

(75) Inventors: **Anthony J. DeCarlo**, Bay Village, OH (US); **Daniel V. Perella**, Hudson, OH (US); **Vincent J. Thomson**, Avon Lake, OH (US)

(73) Assignee: **Idea Stream Consumer Products LLC**, Parma, OH (US)

(**) Term: **14 Years**

(21) Appl. No.: **29/182,746**

(22) Filed: **May 30, 2003**

(51) **LOC (7) Cl.** **03-01**

(52) **U.S. Cl.** **D3/302; D9/433; D3/283**

(58) **Field of Search** **D3/272, 273, 283, D3/302; D9/432, 433; D19/90; 229/117.01, 117.02, 117.03, 117.04, 117.05, 117.07**

(56) **References Cited**

U.S. PATENT DOCUMENTS

- 3,303,986 A * 2/1967 Tanaka 229/125.01
- D315,098 S * 3/1991 Hutcheson D9/414
- D323,294 S * 1/1992 Williams D9/432
- D336,427 S * 6/1993 Mainiero D9/423
- D339,062 S * 9/1993 Williams D9/432

- D372,673 S * 8/1996 Turner D9/432
- D414,335 S * 9/1999 Cheyn D3/276
- D418,751 S * 1/2000 Wolf D9/432
- D437,222 S * 2/2001 Goldberg D9/432
- D457,313 S * 5/2002 Clark et al. D3/276

* cited by examiner

Primary Examiner—Philip S. Hyder

(74) *Attorney, Agent, or Firm*—Renner, Otto, Boisselle & Sklar LLP

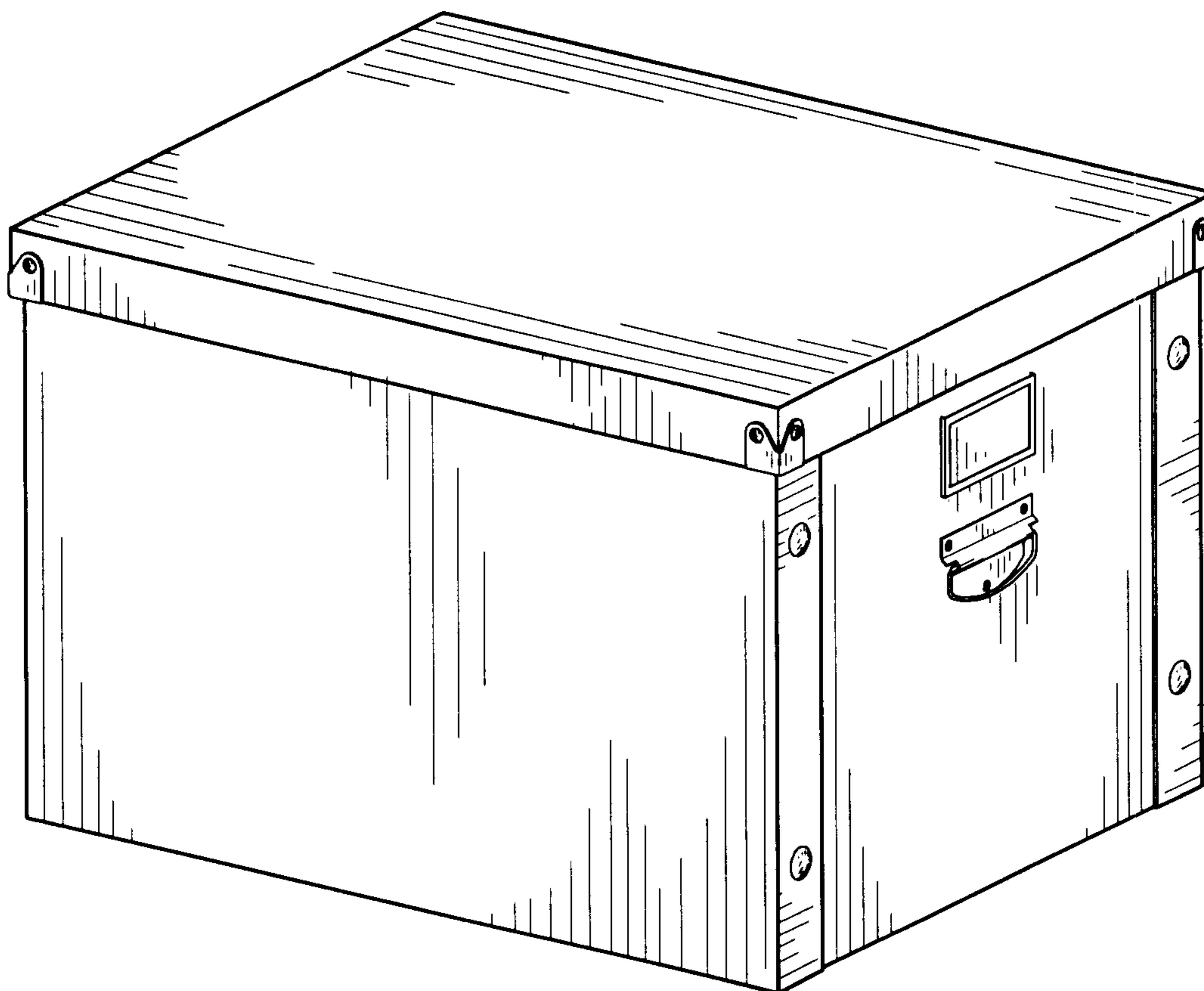
(57) **CLAIM**

The ornamental design for a collapsible storage container, as shown and described.

DESCRIPTION

FIG. 1 is a perspective view of a collapsible storage container in an assemble state showing our new design; FIG. 2 is a front elevation view thereof; FIG. 3 is a left side elevation view thereof, wherein the right side elevation view is a mirror image of the left side elevation; FIG. 4 is a bottom plan view thereof; FIG. 5 is a top plan view thereof; FIG. 6 is an exploded view thereof; and, FIG. 7 is a perspective view of the collapsible storage container in a collapsed state.

1 Claim, 2 Drawing Sheets



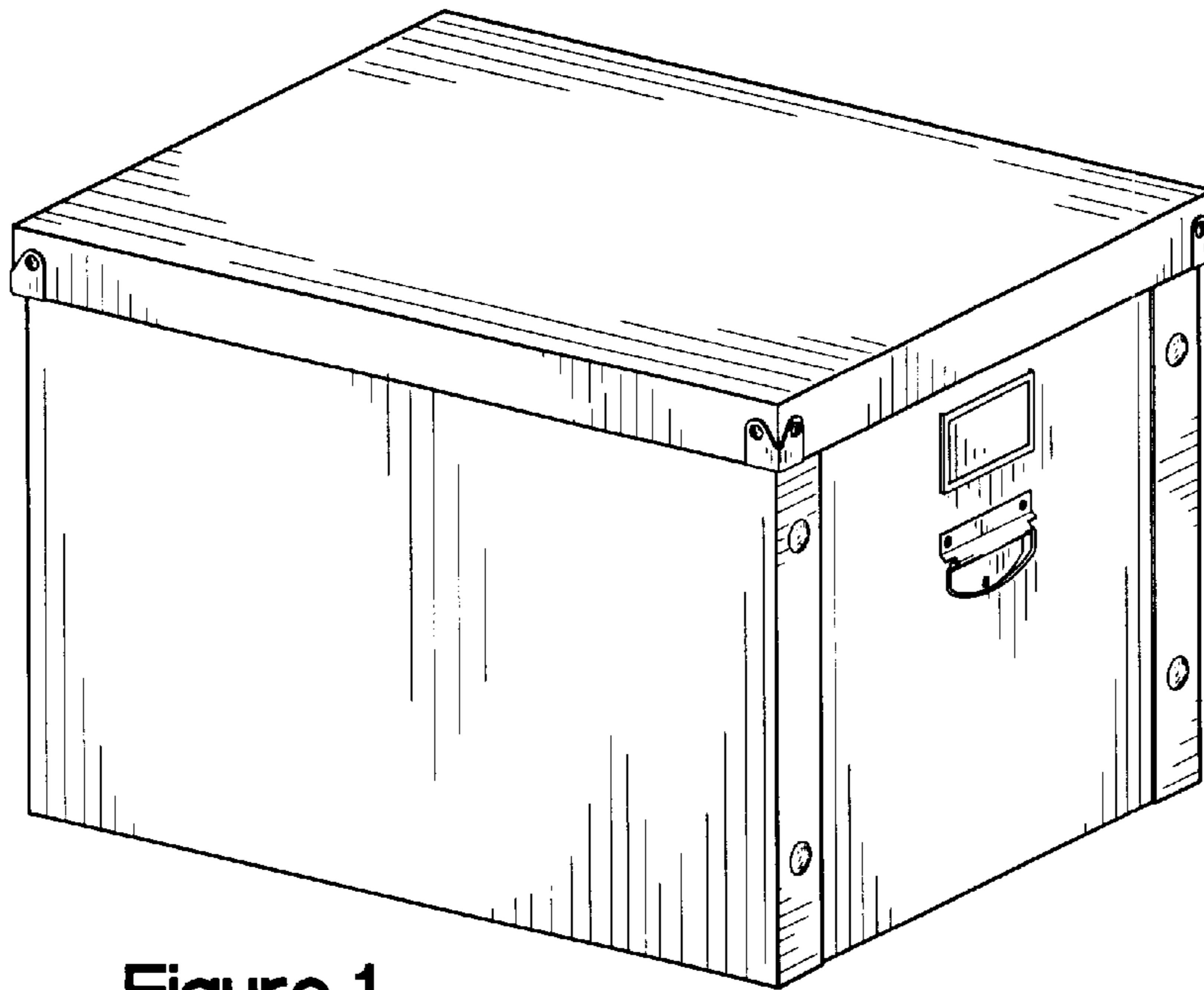


Figure 1

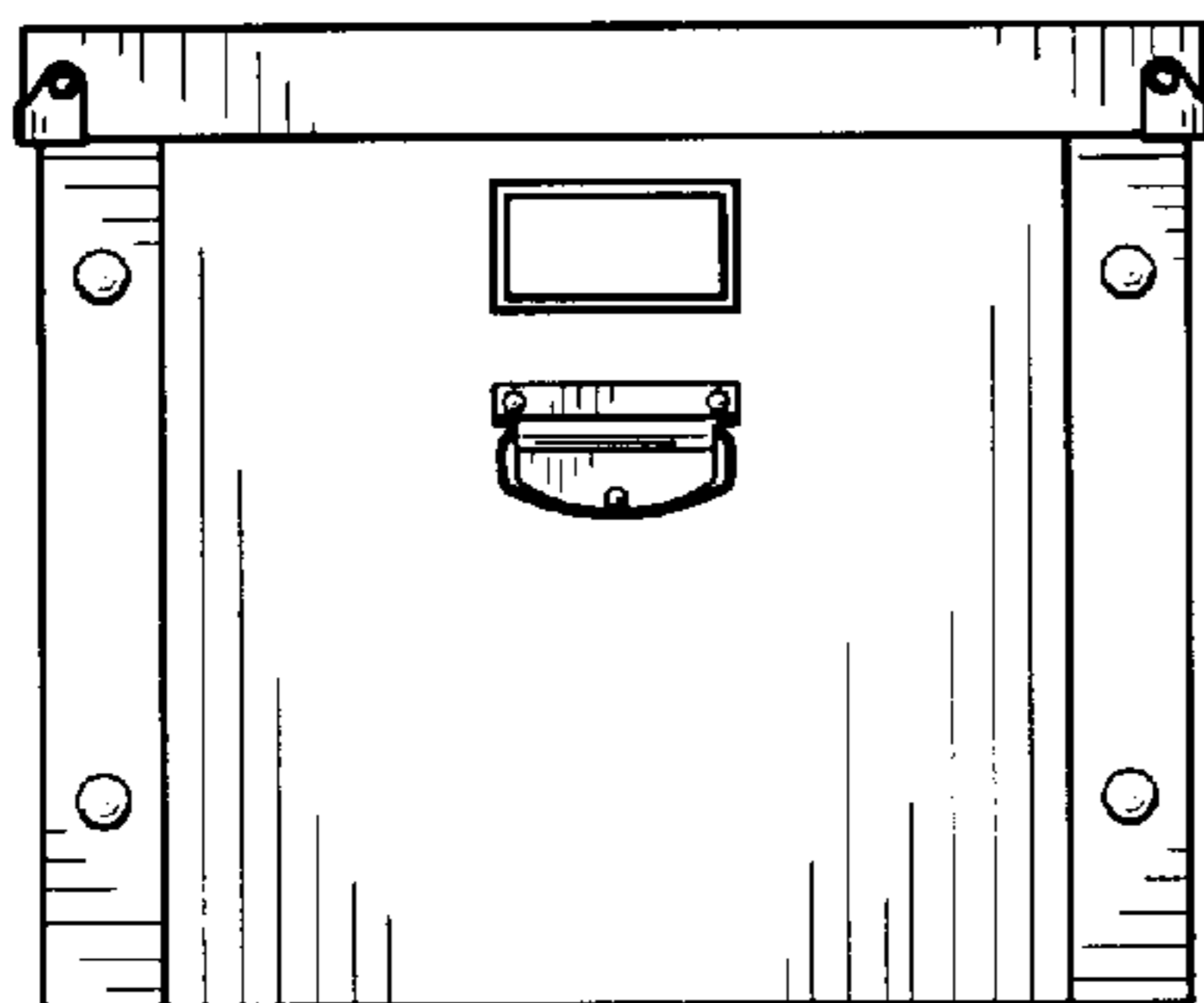


Figure 2

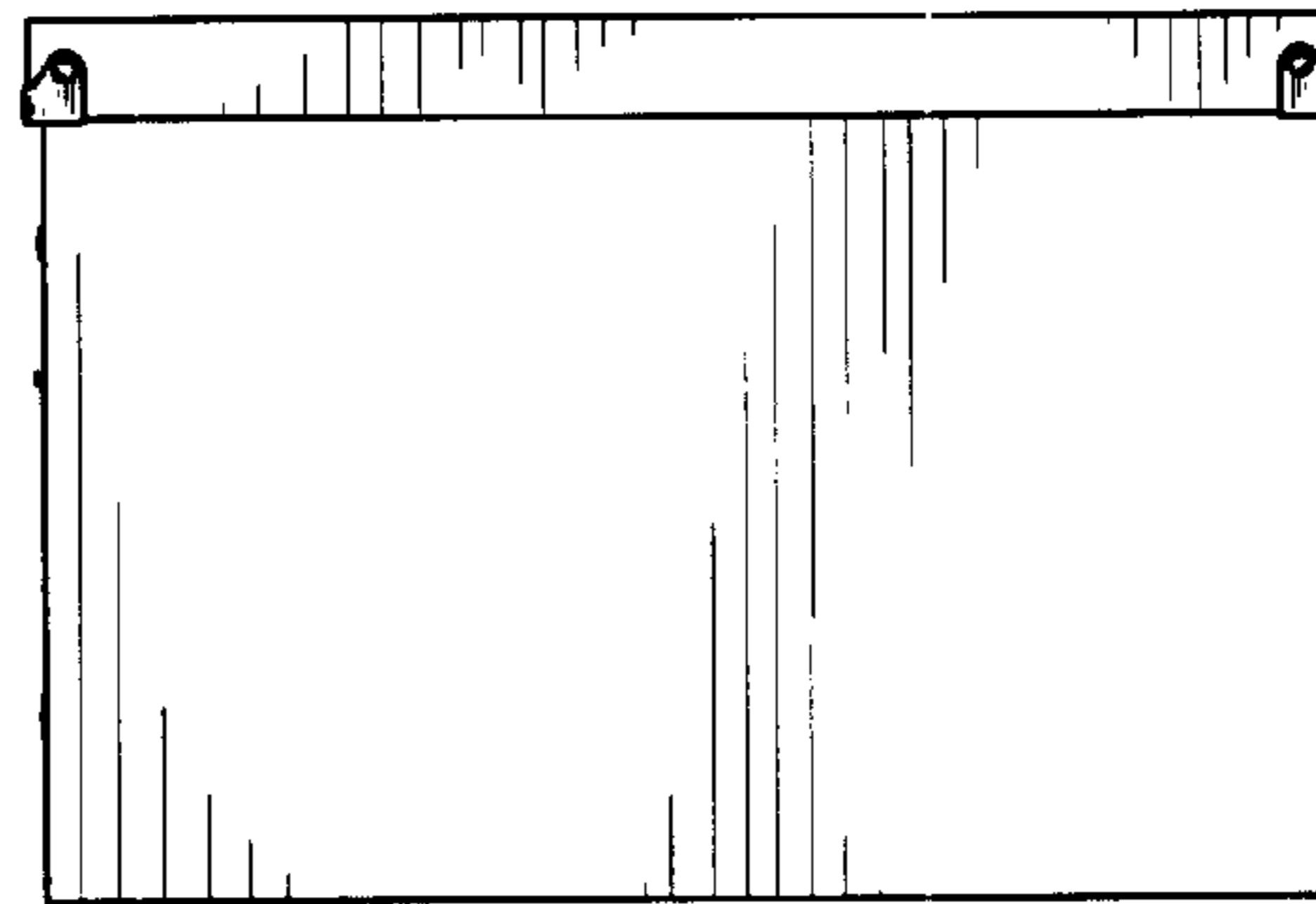


Figure 3

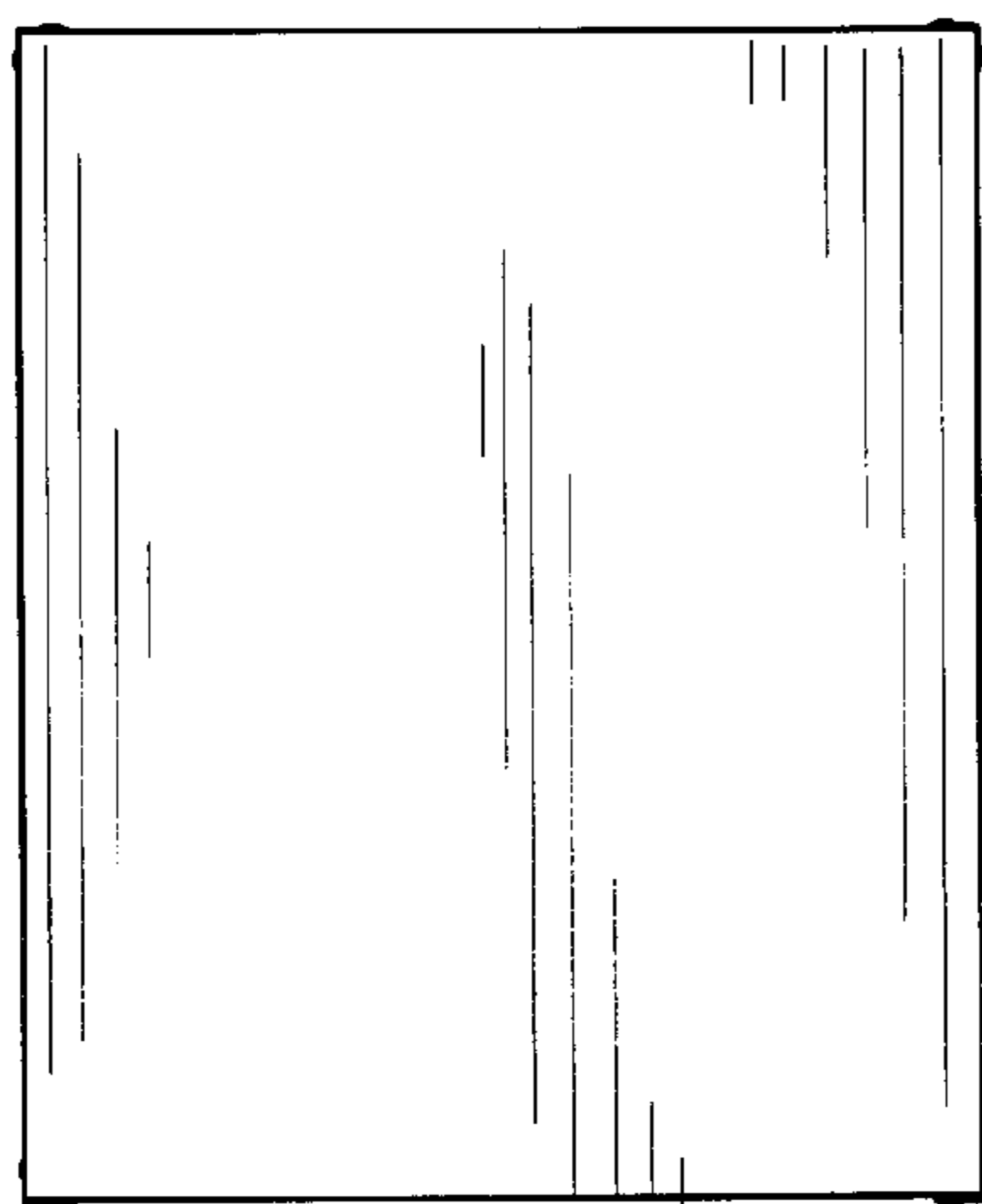


Figure 4

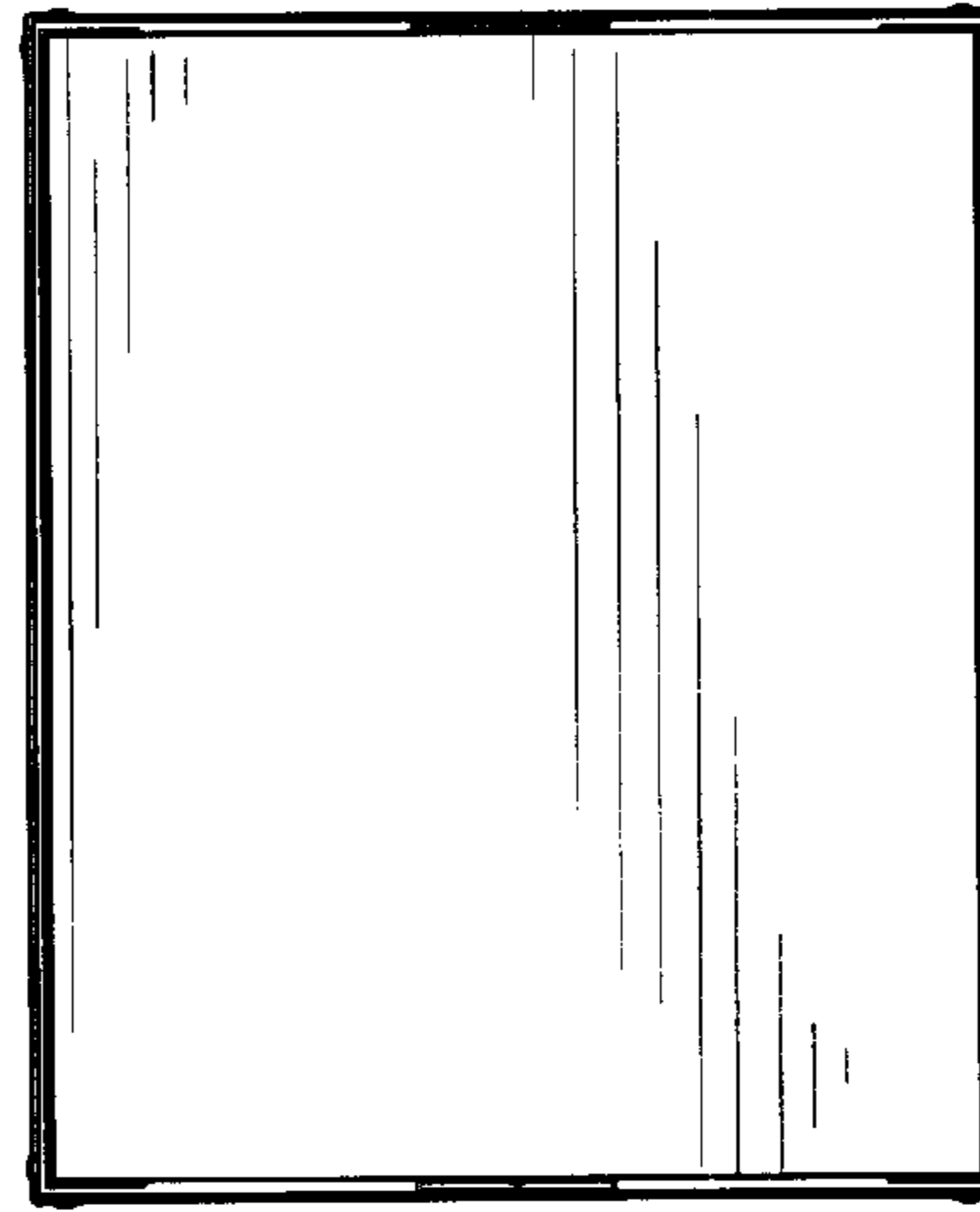


Figure 5

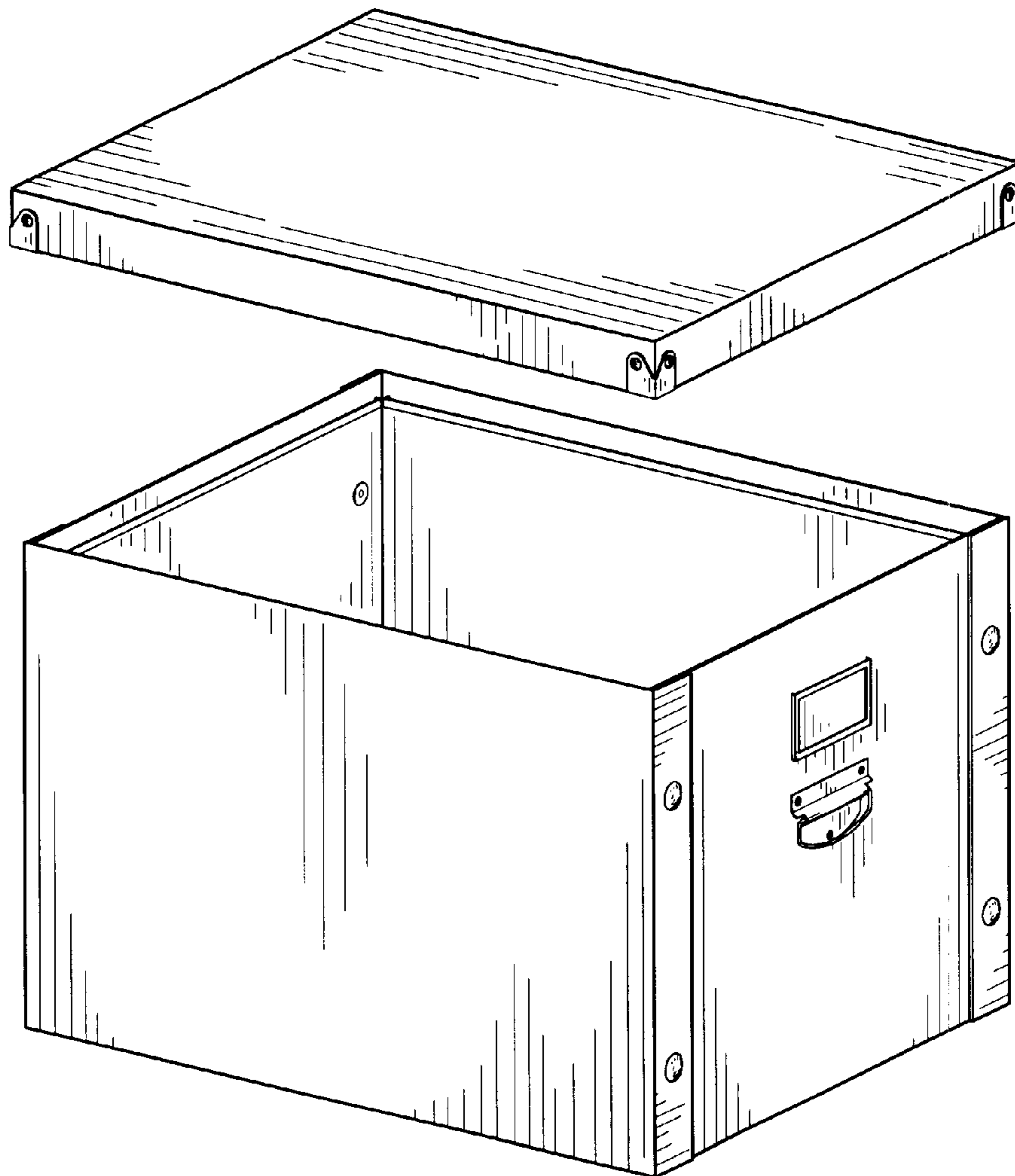


Figure 6

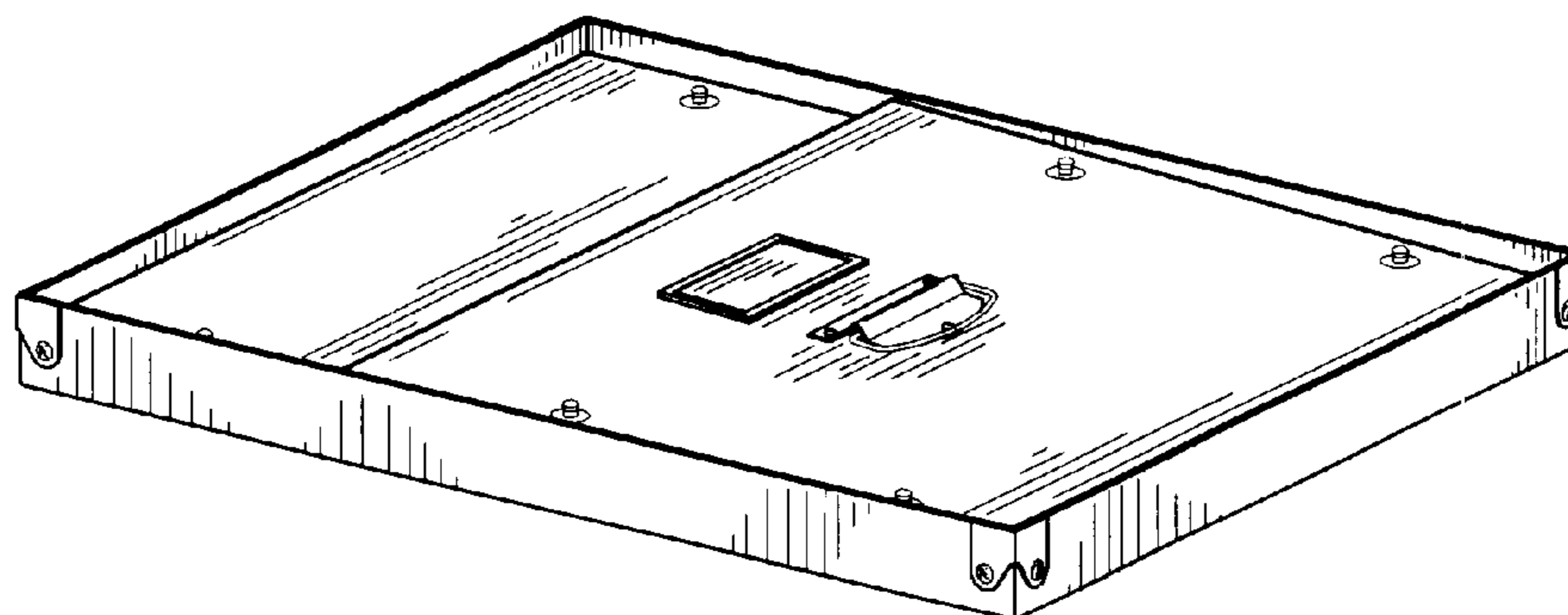


Figure 7