

US00D494735S1

(12) **United States Design Patent**  
**Dahl et al.**

(10) **Patent No.:** **US D494,735 S**

(45) **Date of Patent:** **\*\* Aug. 24, 2004**

(54) **PET FOOD SNACK**

(75) Inventors: **Stephen R. Dahl**, Manchester, MO (US); **Donald R. Speck**, Festus, MO (US); **Daryl Klas**, St. Louis, MO (US)

(73) Assignee: **Nestec S.A.**, Vevey (CH)

(\*\*) Term: **14 Years**

(21) Appl. No.: **29/187,537**

(22) Filed: **Jul. 31, 2003**

(51) **LOC (7) Cl.** ..... **01-01**

(52) **U.S. Cl.** ..... **D1/125; D1/199; D1/126; D30/160**

(58) **Field of Search** ..... D1/125, 127-128, D1/102, 130, 121; D25/119, 122-125; 426/104, 143-144, 140, 421, 516, 635; D30/160

(56) **References Cited**

**U.S. PATENT DOCUMENTS**

D149,511 S \* 5/1948 Mitzel ..... D1/102

D297,580 S \* 9/1988 Hoashi ..... D1/130  
4,797,295 A \* 1/1989 Franco et al. .... 426/421  
D349,786 S \* 8/1994 Markham ..... D30/160  
D401,385 S \* 11/1998 Mintz ..... D1/125

\* cited by examiner

*Primary Examiner*—Pamela Burgess

(74) *Attorney, Agent, or Firm*—Bell, Boyd & Lloyd LLC

(57) **CLAIM**

We claim the ornamental design for a pet food snack, as shown and described herein.

**DESCRIPTION**

FIG. 1 illustrates a top-front perspective view of the pet food snack of the present invention.

FIG. 2 illustrates a front view thereof.

FIG. 3 illustrates a base plan view thereof.

FIG. 4 illustrates a top plan view thereof; and,

FIG. 5 illustrates a base view of a cross-section taken through line V—V shown in FIG. 2.

**1 Claim, 2 Drawing Sheets**

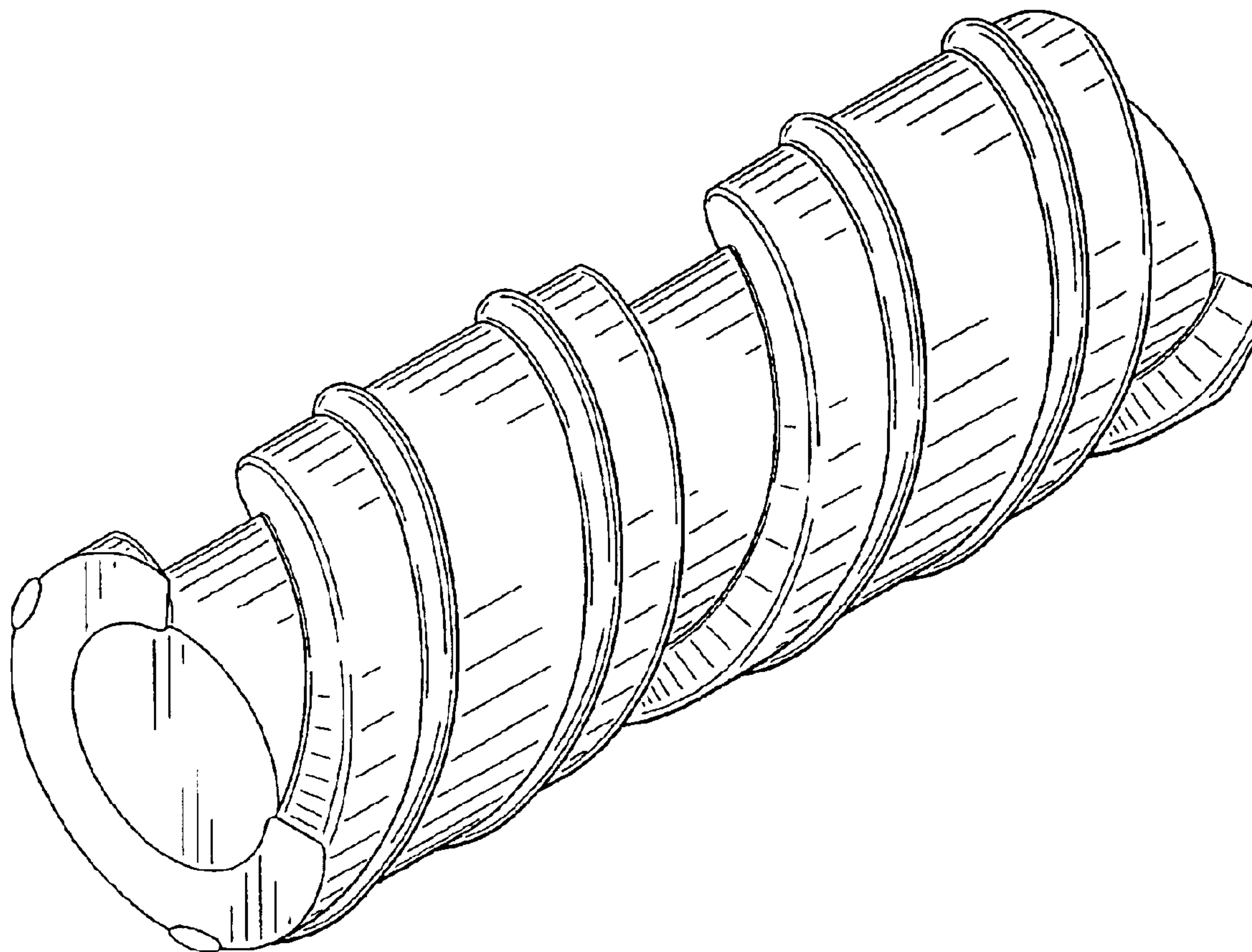


FIG. 1

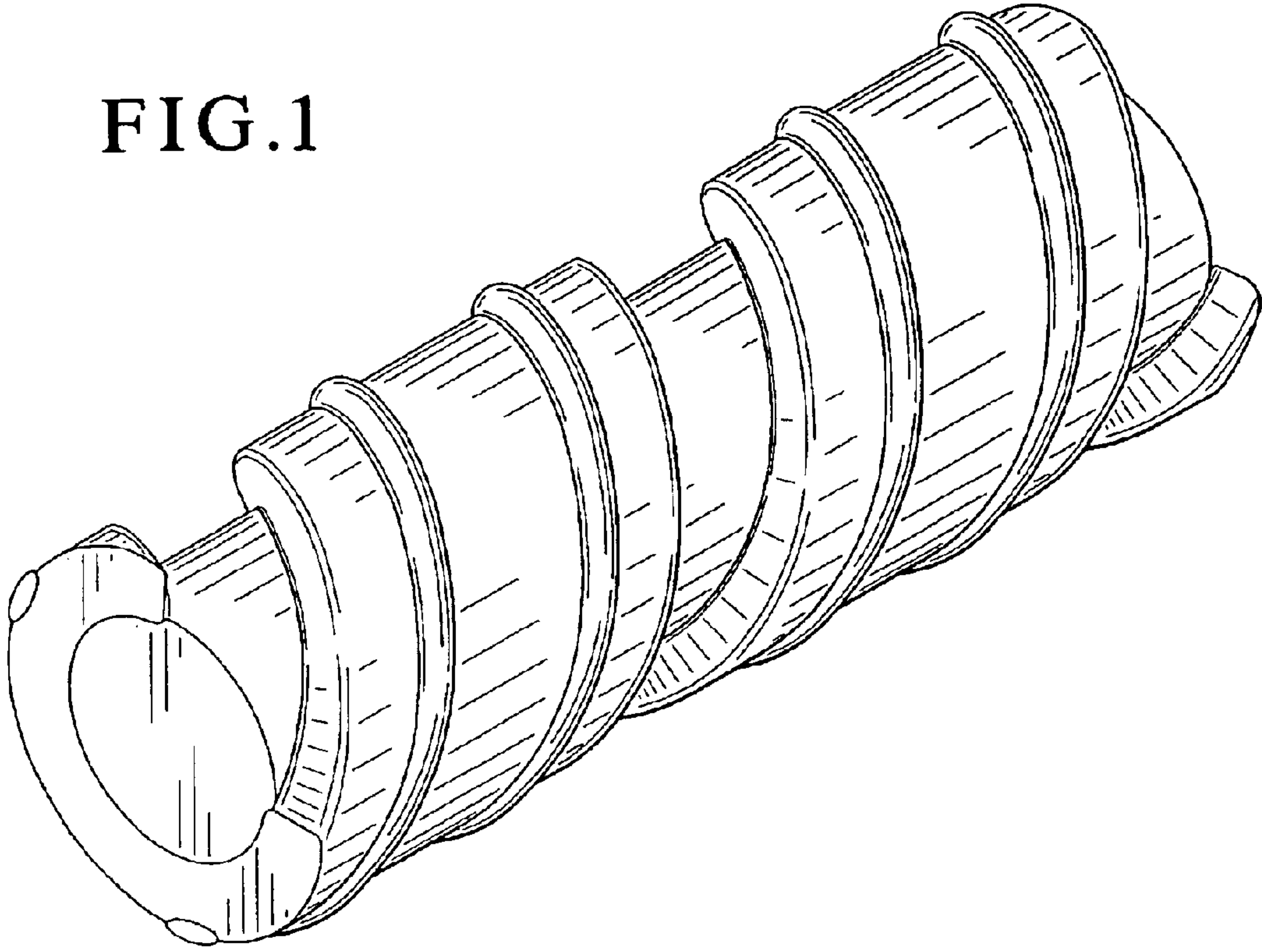


FIG. 2

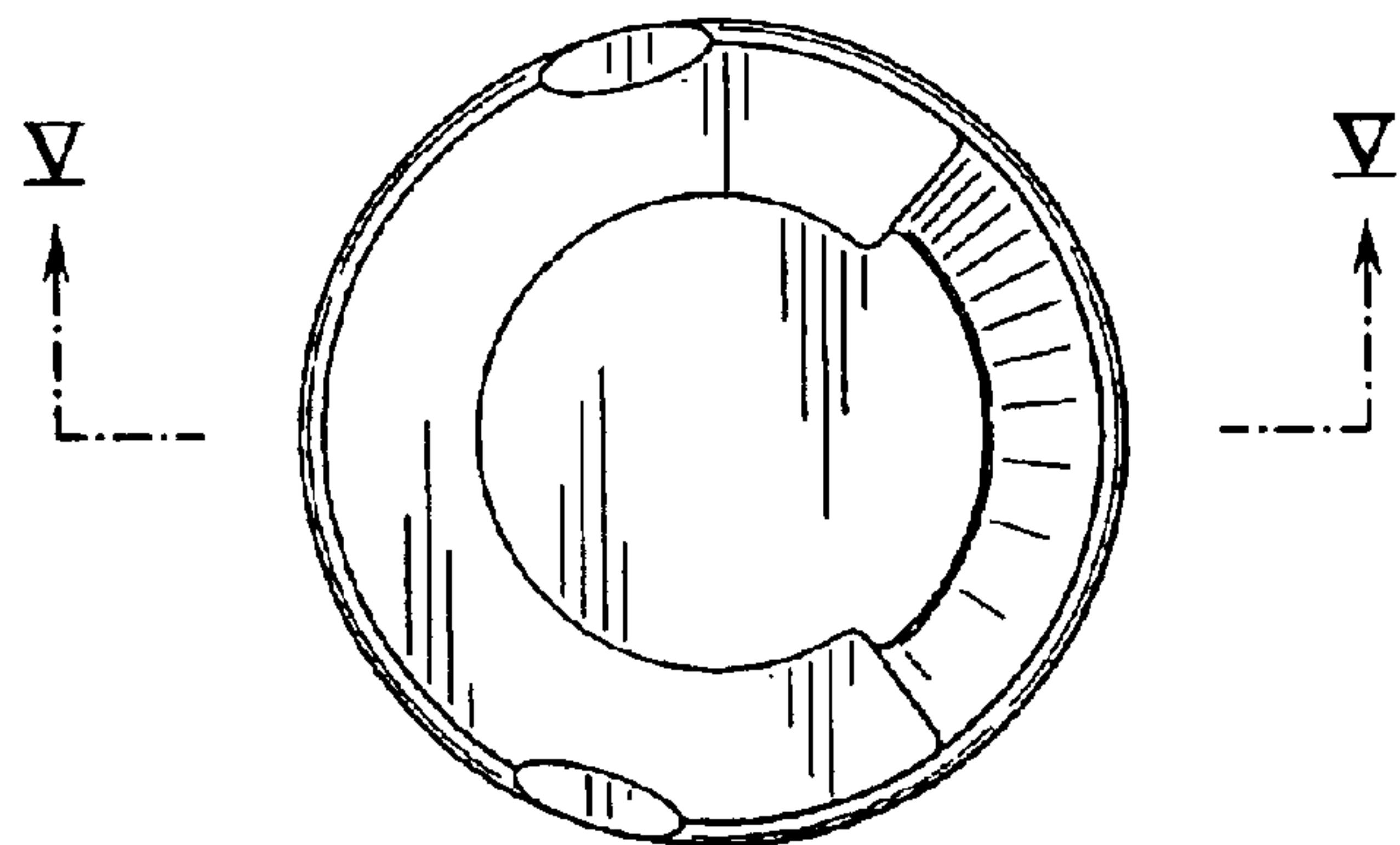


FIG. 5

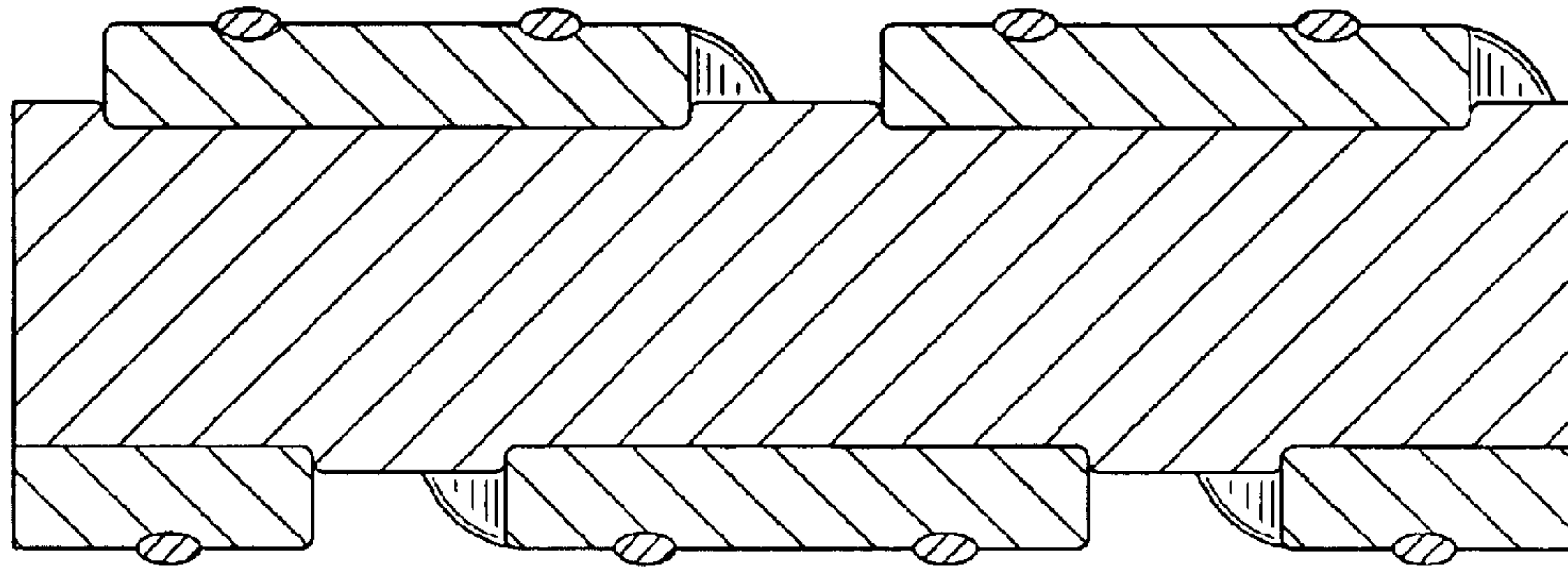


FIG. 4

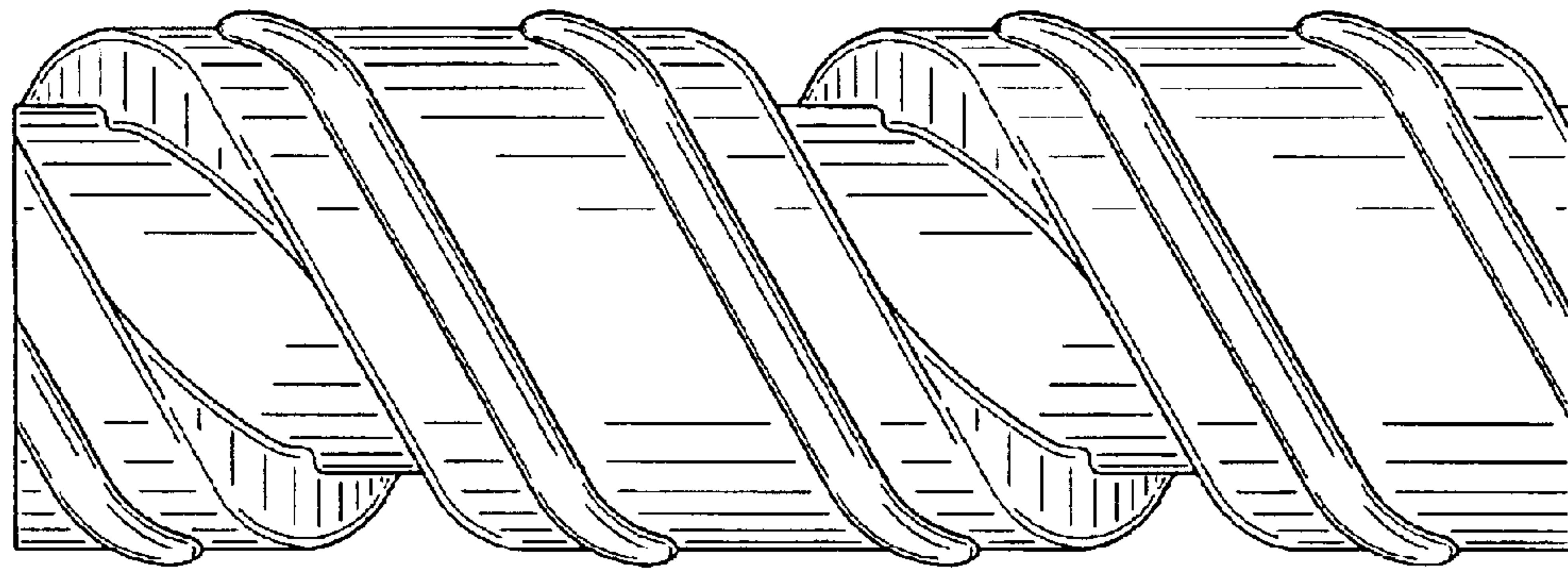


FIG. 3

