

US00D494726S1

(12) **United States Design Patent** (10) **Patent No.:** **US D494,726 S**
Smith (45) **Date of Patent:** **** Aug. 17, 2004**

(54) **FOLDUP WHEEL CHAIR RAMP**

(75) Inventor: **Allan Smith**, Victor Harbor (AU)

(73) Assignee: **Allan Smith & Associates Pty Ltd.**
(AU)

(**) Term: **14 Years**

(21) Appl. No.: **29/187,592**

(22) Filed: **Aug. 4, 2003**

(30) **Foreign Application Priority Data**

Feb. 4, 2003 (AU) 321/2003

(51) **LOC (7) Cl.** **12-05**

(52) **U.S. Cl.** **D34/32**

(58) **Field of Search** D34/32; 14/69.5,
14/71.1, 71.5; 105/436; 414/537; 182/94;
254/81, 88

(56) **References Cited**

U.S. PATENT DOCUMENTS

D246,449 S	*	11/1977	Poe	D34/32
D299,776 S	*	2/1989	Canterberry	D34/32
D311,798 S	*	10/1990	Boots et al.	D34/32
D315,046 S	*	2/1991	Abrams	D34/32
D346,256 S	*	4/1994	Thomas et al.	D34/32
D353,071 S	*	12/1994	Roberts	D6/583
D373,885 S	*	9/1996	Holland, Jr.	D34/32
D382,676 S	*	8/1997	Holbrook	D30/119
5,671,496 A	*	9/1997	Smith	14/69.5
6,269,508 B1	*	8/2001	Younce	14/69.5
6,293,748 B1	*	9/2001	Savaria	414/537
6,418,675 B1	*	7/2002	Peggs et al.	52/102
6,634,848 B2	*	10/2003	Henderson	414/537

* cited by examiner

Primary Examiner—Cynthia E. Ramirez

(74) *Attorney, Agent, or Firm*—Cook, Alex, McFarron,
Manzo, Cummings & Mehler, Ltd.

(57) **CLAIM**

The ornamental design for a foldup wheel chair ramp, as shown and described.

DESCRIPTION

FIG. 1 is a perspective view of one embodiment of the foldup wheelchair ramp of my new design;

FIG. 2 is a top view;

FIG. 3 is a right side view, the left side view being the reverse of the view shown;

FIG. 4 is an end edge view, the opposite end edge being a mirror image thereof;

FIG. 5 is a perspective view of my ramp in its folded condition;

FIG. 6 is a perspective view of a second embodiment of the foldup wheelchair ramp of my new design;

FIG. 7 is a top view;

FIG. 8 is a left side view, the right side view being the reverse of the view shown;

FIG. 9 is an end edge view, the opposite end edge being a mirror image thereof;

FIG. 10 is a bottom view;

FIG. 11 is a perspective view of the ramp in a folded condition;

FIG. 12 is a perspective view of a third embodiment of the foldup wheel chair ramp of my new design;

FIG. 13 is a top view;

FIG. 14 is a right side view, the left side view being the reverse of the view shown;

FIG. 15 is an end edge view, the opposite end edge being a mirror image thereof;

FIG. 16 is a perspective view of the ramp in a folded condition;

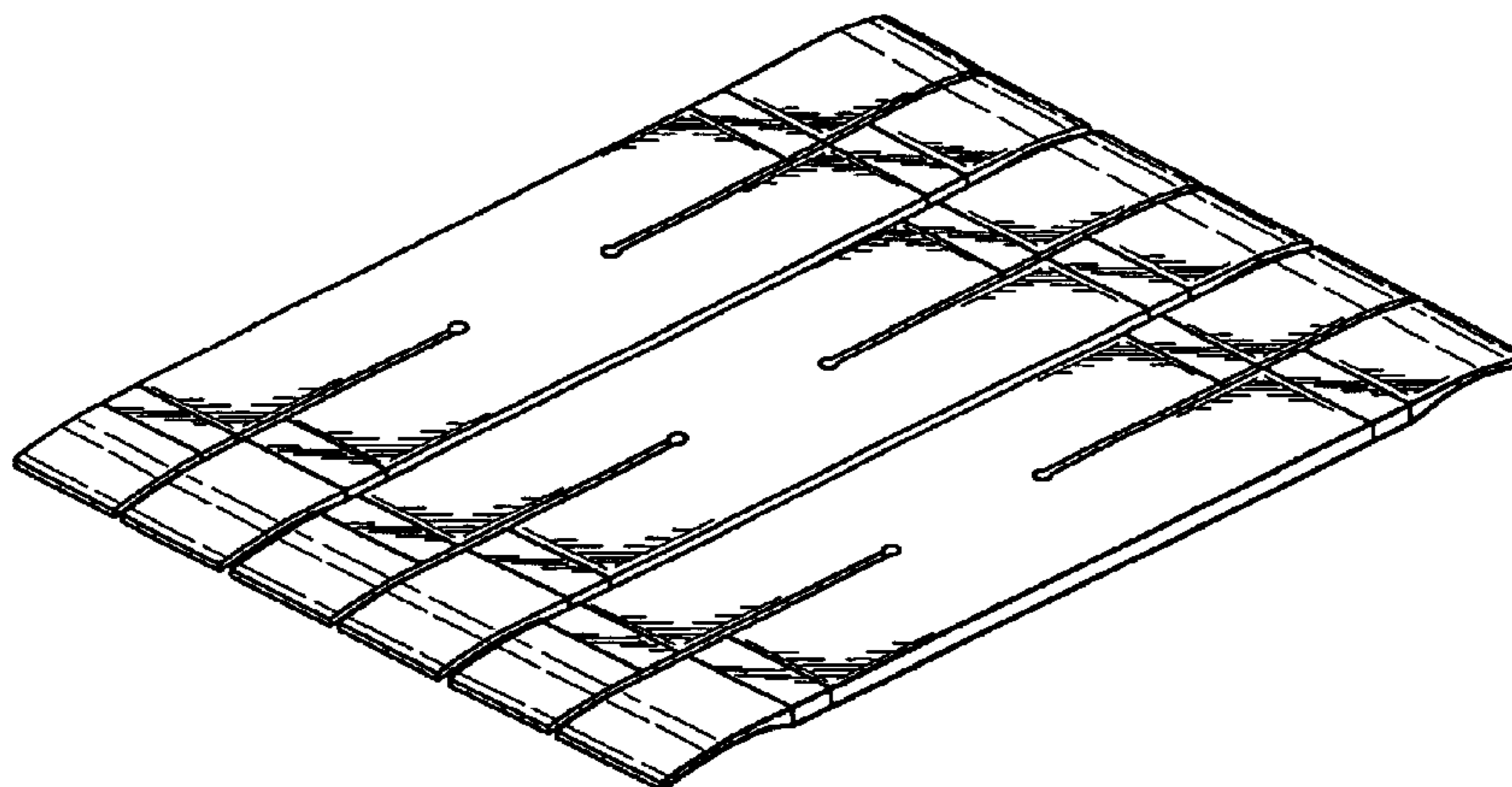
FIG. 17 is a perspective view of a fourth embodiment of the foldup wheel chair ramp of my new design;

FIG. 18 is a top view;

FIG. 19 is a right side view, the left side being the reverse of the view shown; and,

FIG. 20 is an end edge view, the opposite end edge being a mirror image thereof.

1 Claim, 8 Drawing Sheets



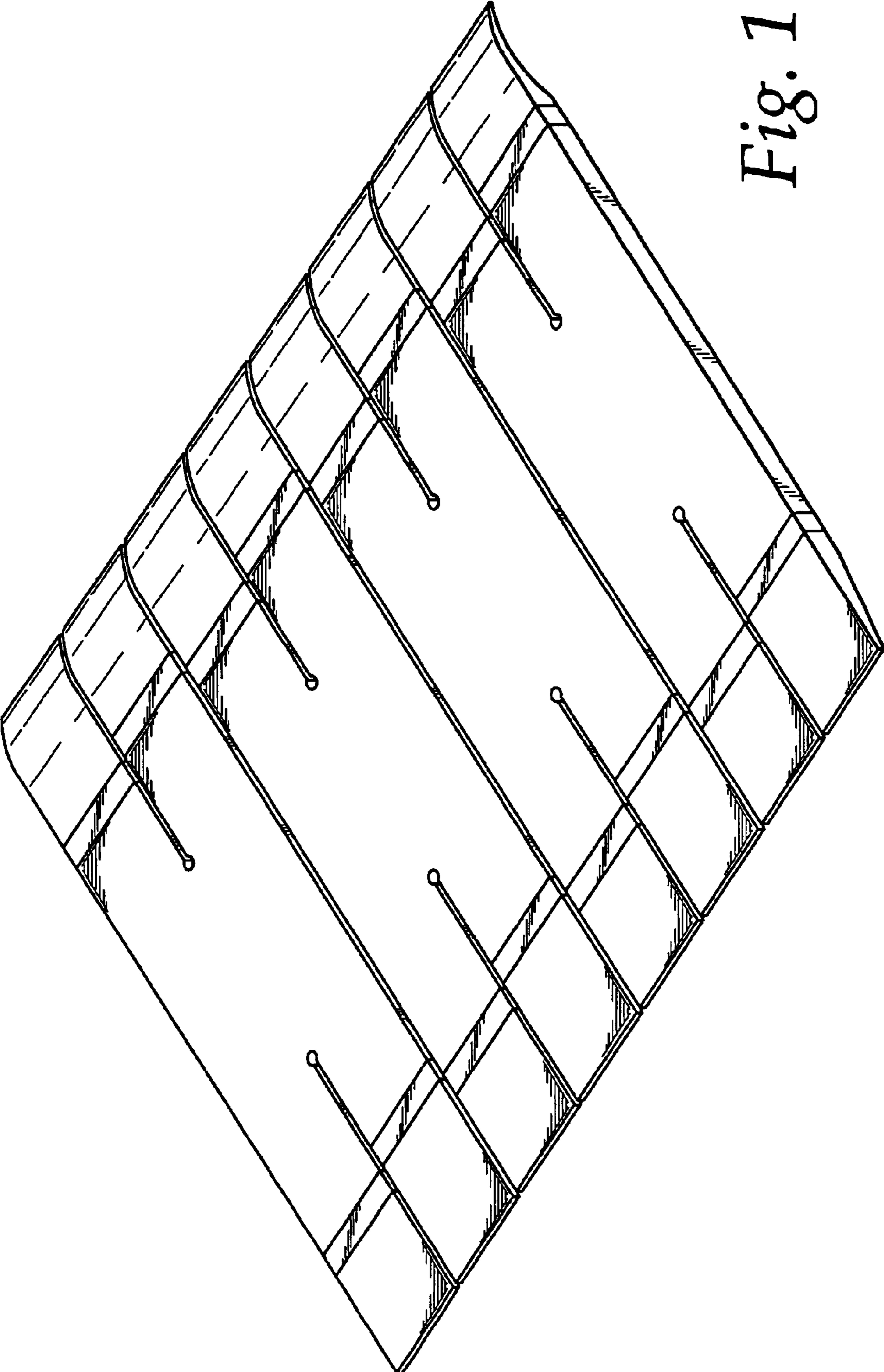


Fig. 1

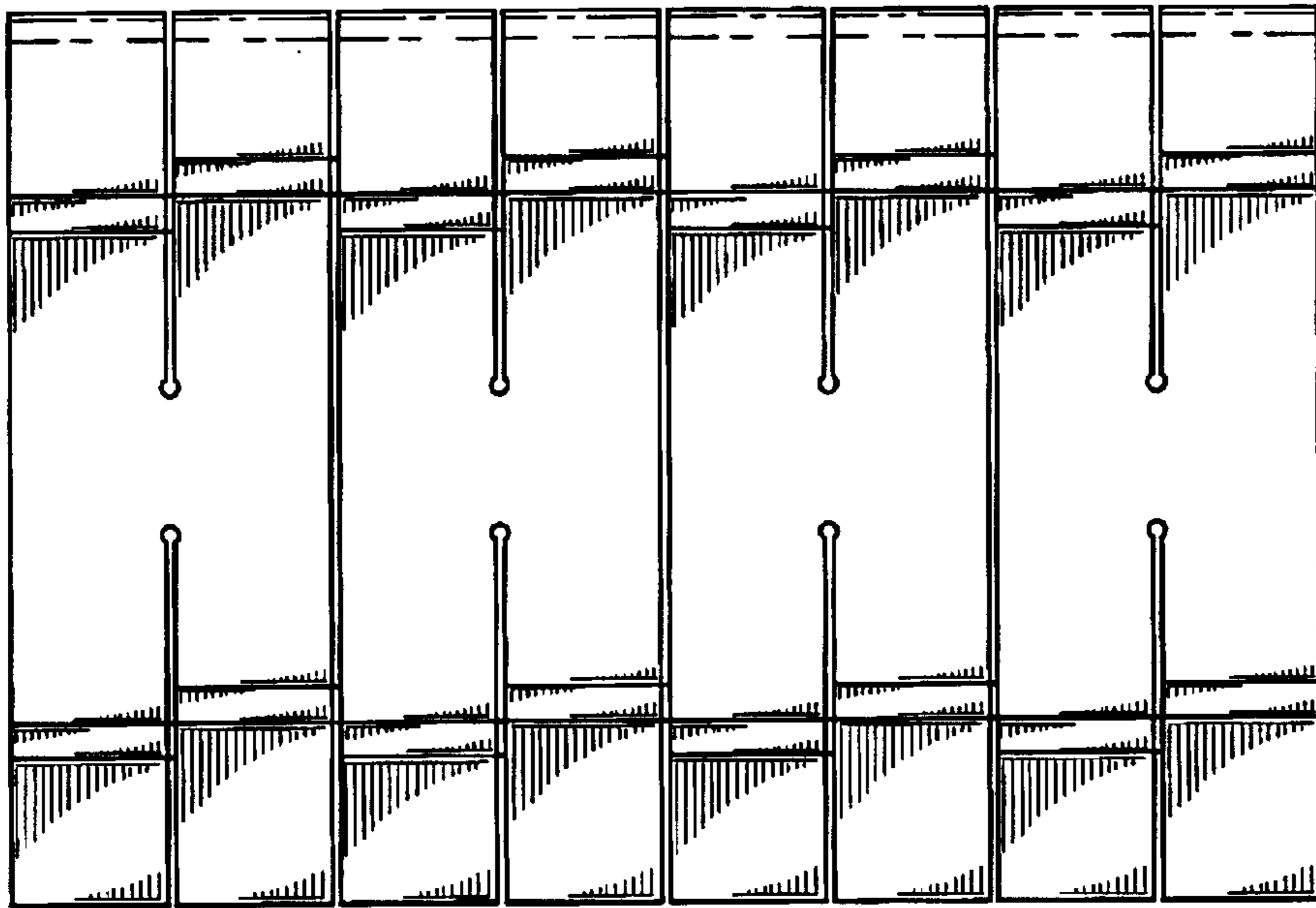


Fig. 2



Fig. 3



Fig. 4

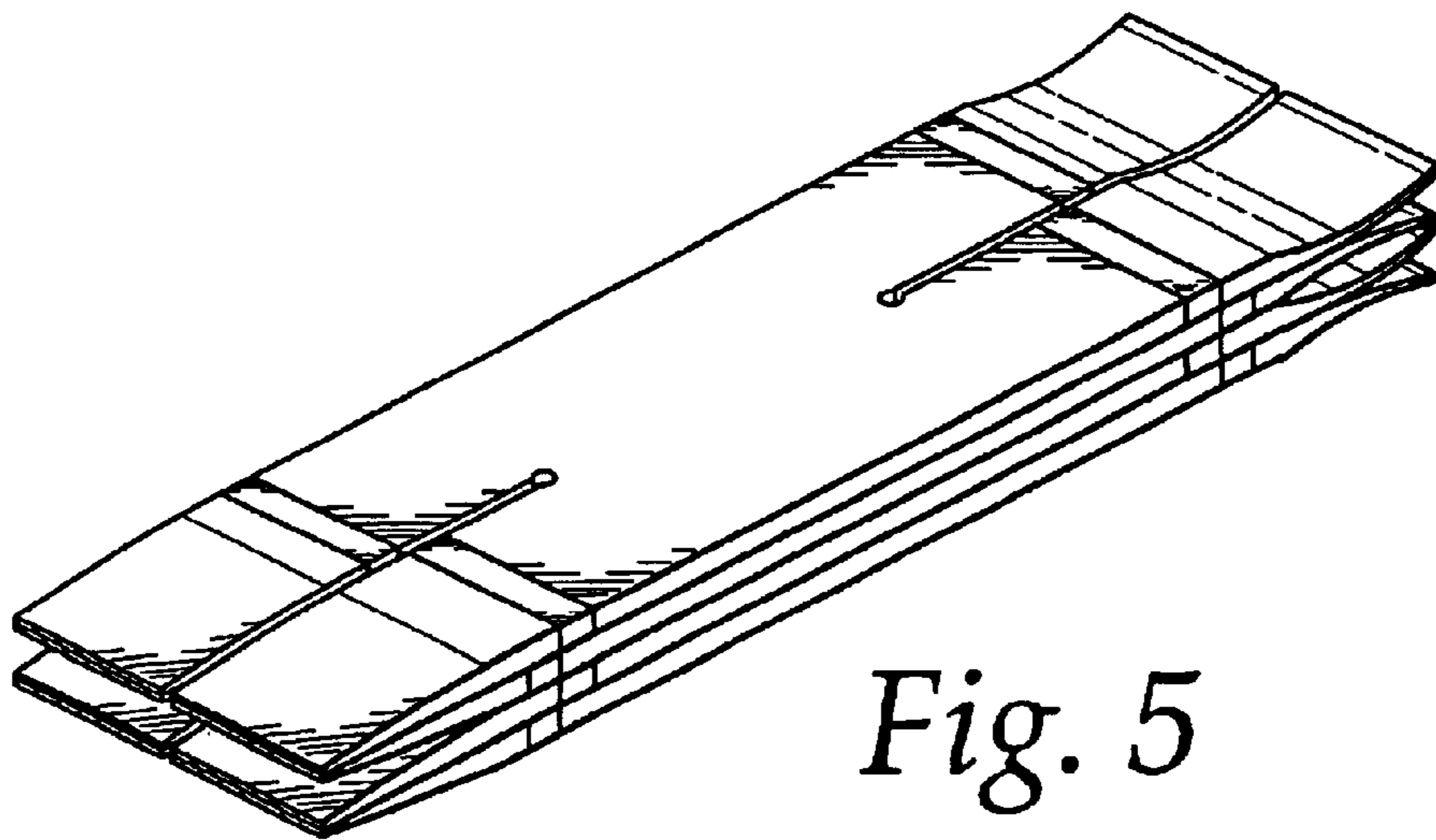


Fig. 5

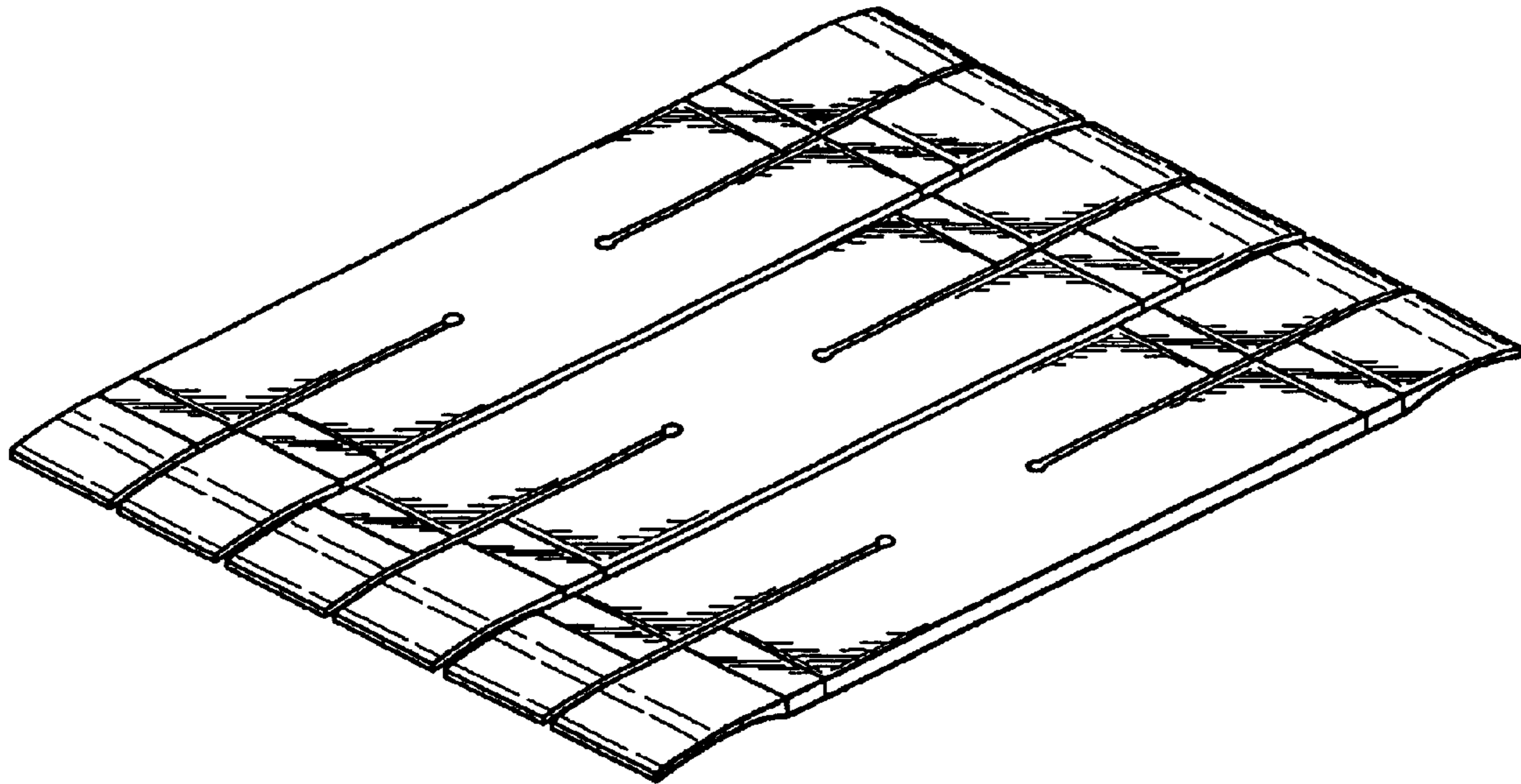


Fig. 6

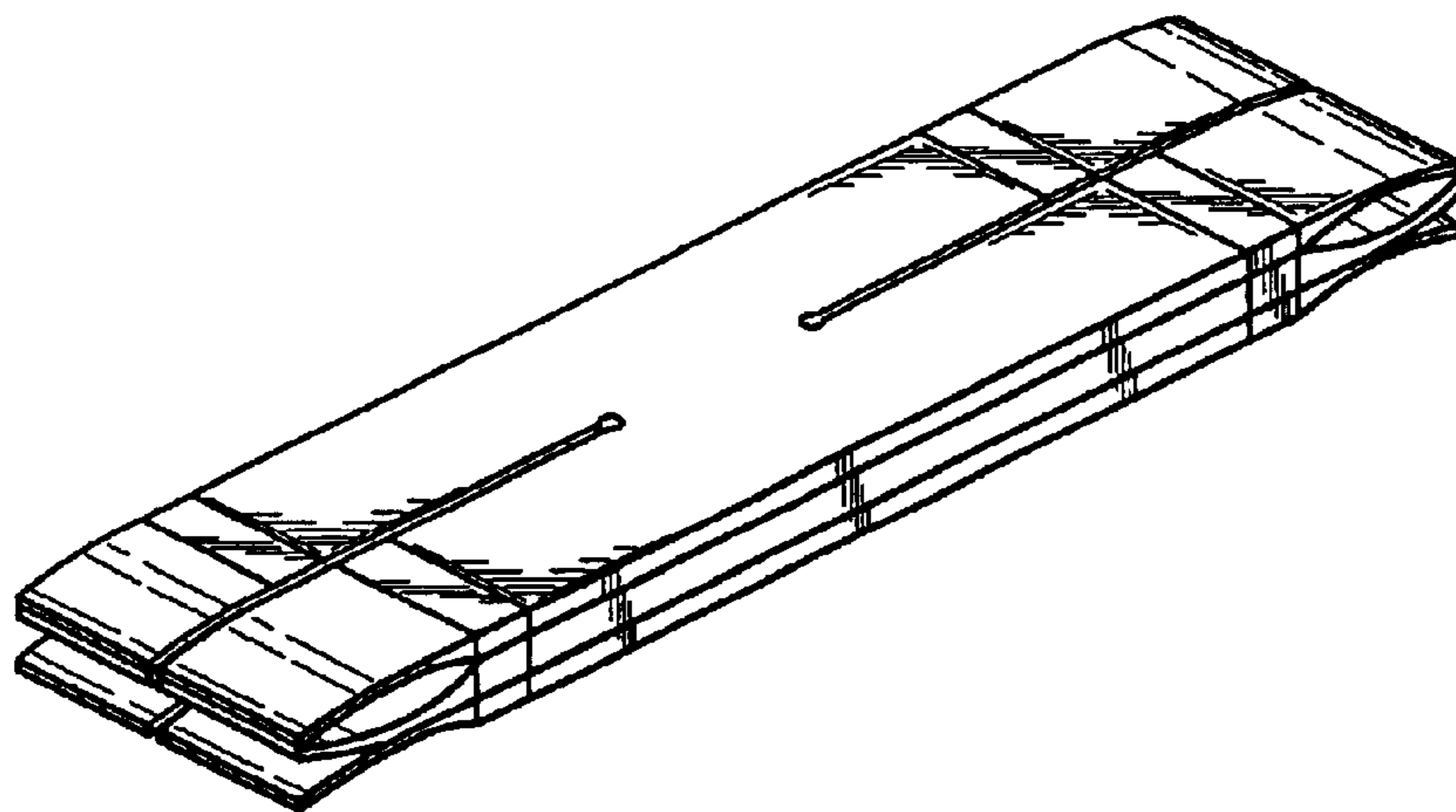


Fig. 11



Fig. 9



Fig. 8

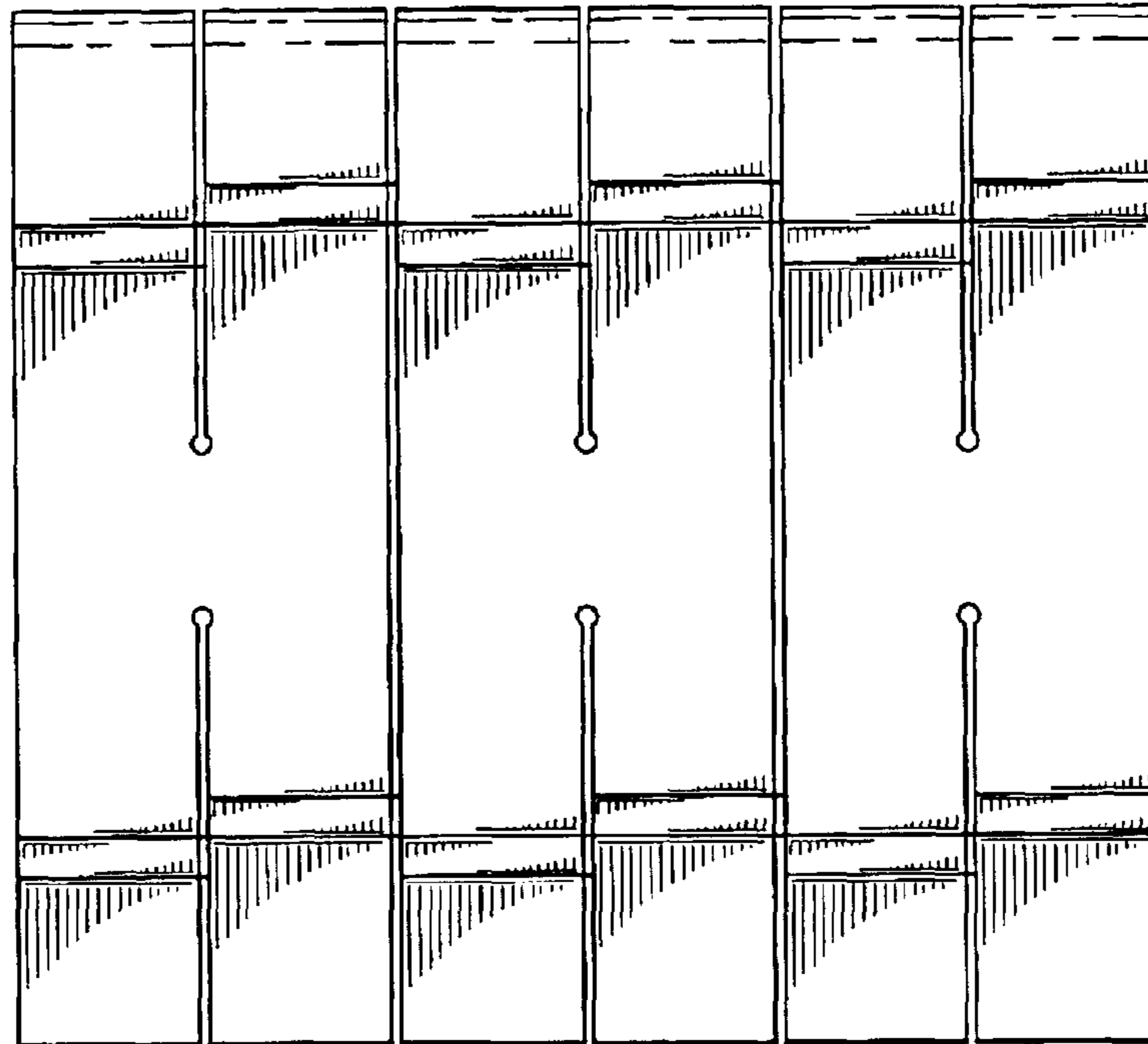


Fig. 7

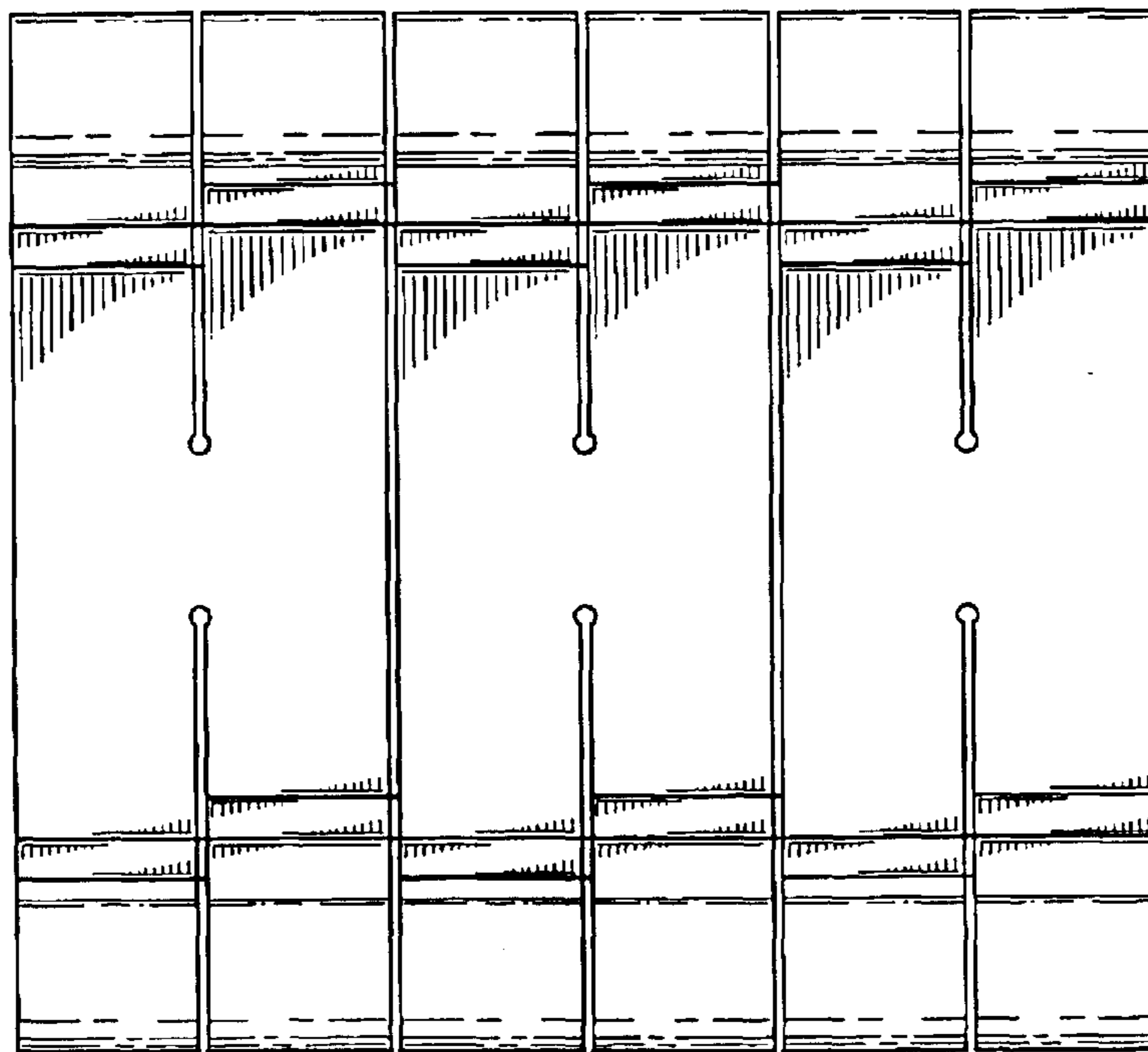


Fig. 10

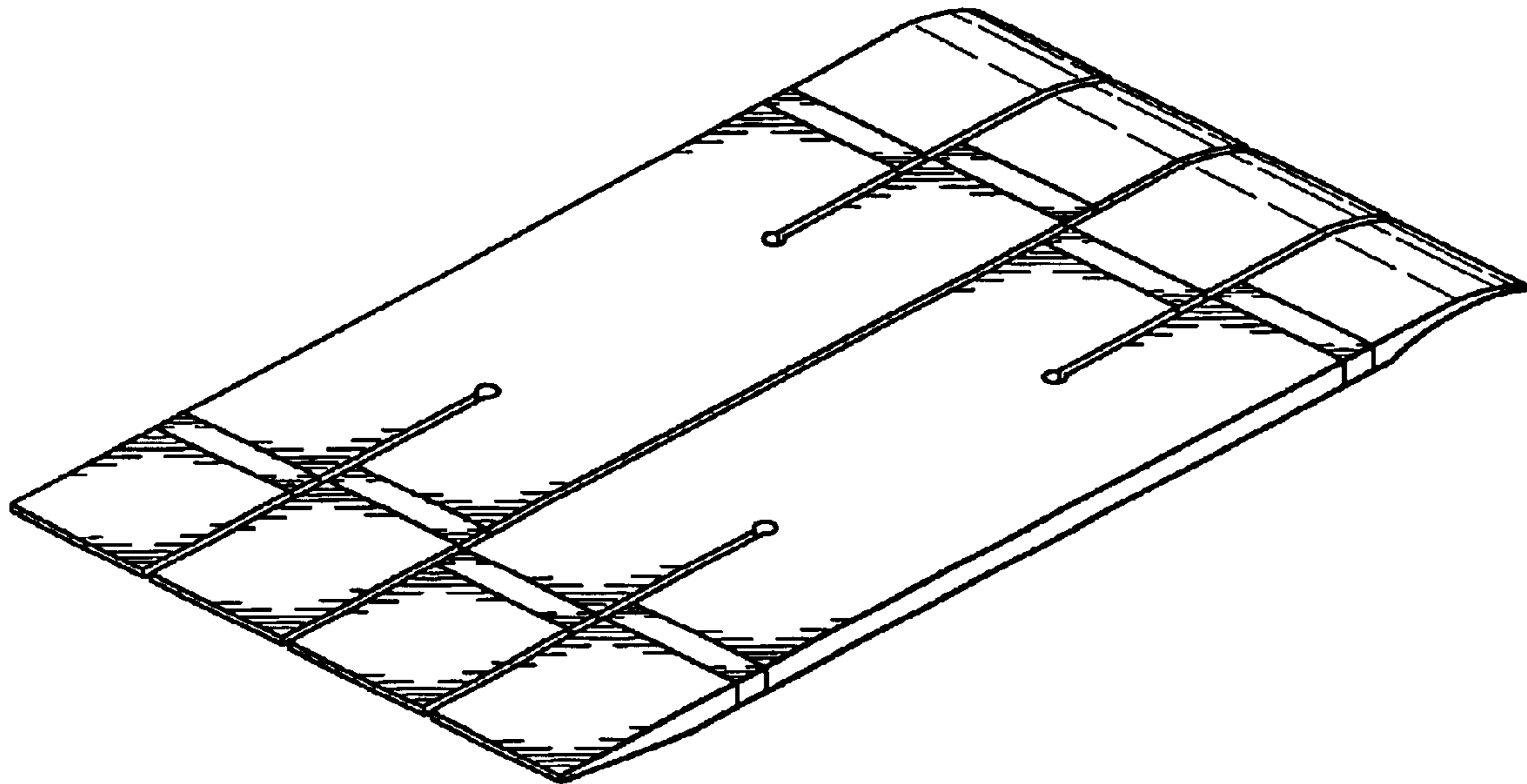


Fig. 12

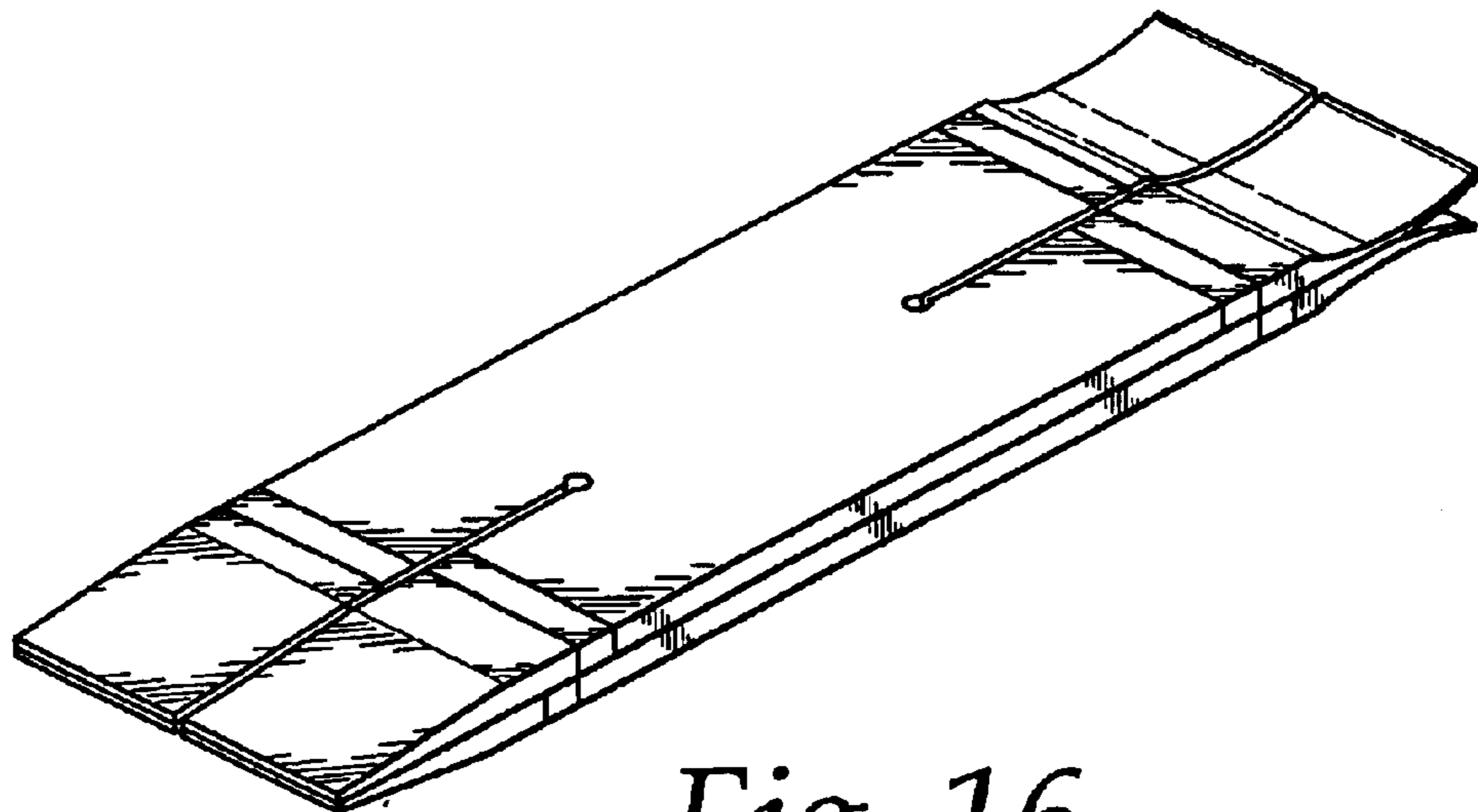


Fig. 16

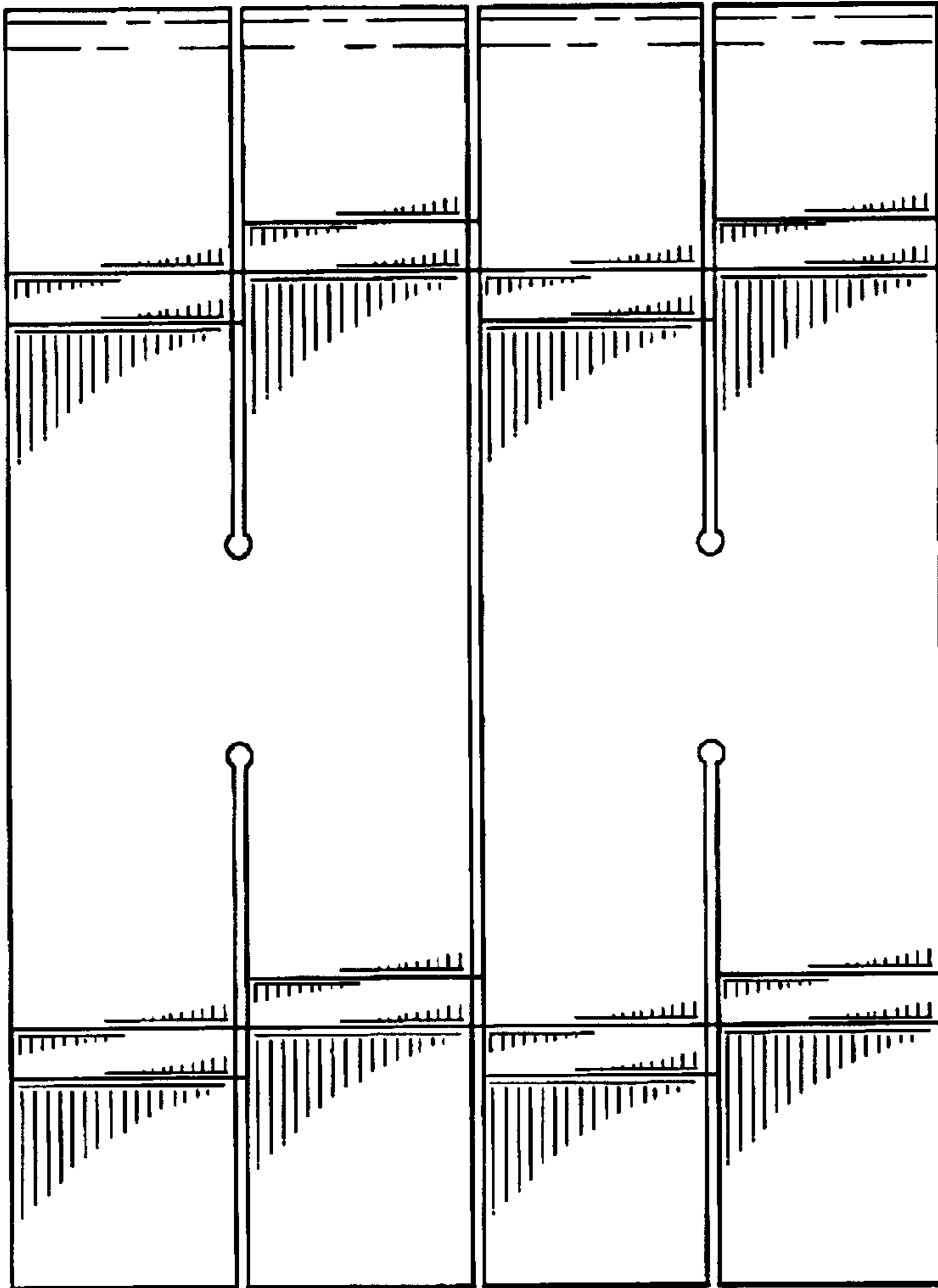


Fig. 13



Fig. 14



Fig. 15

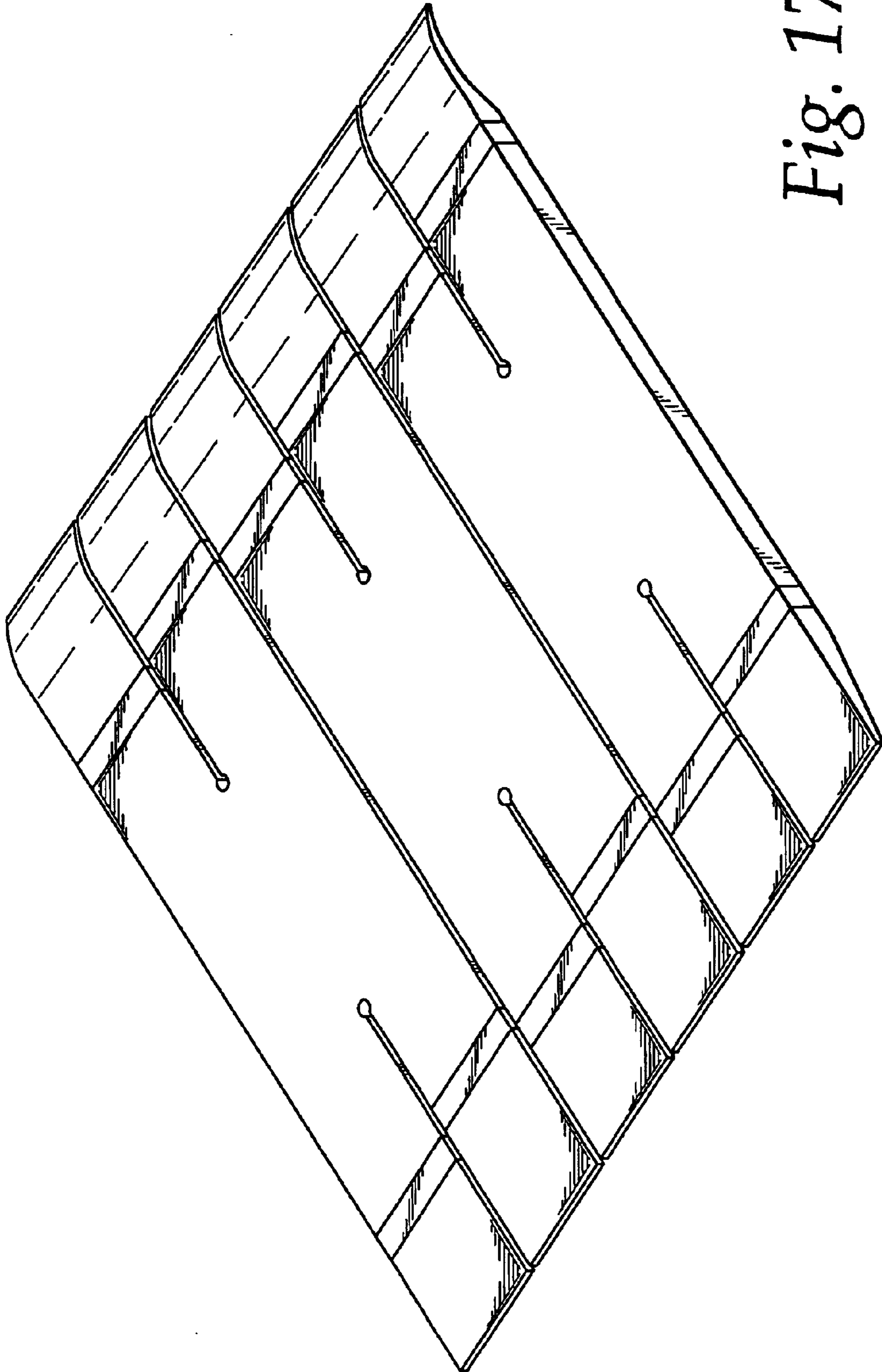


Fig. 17

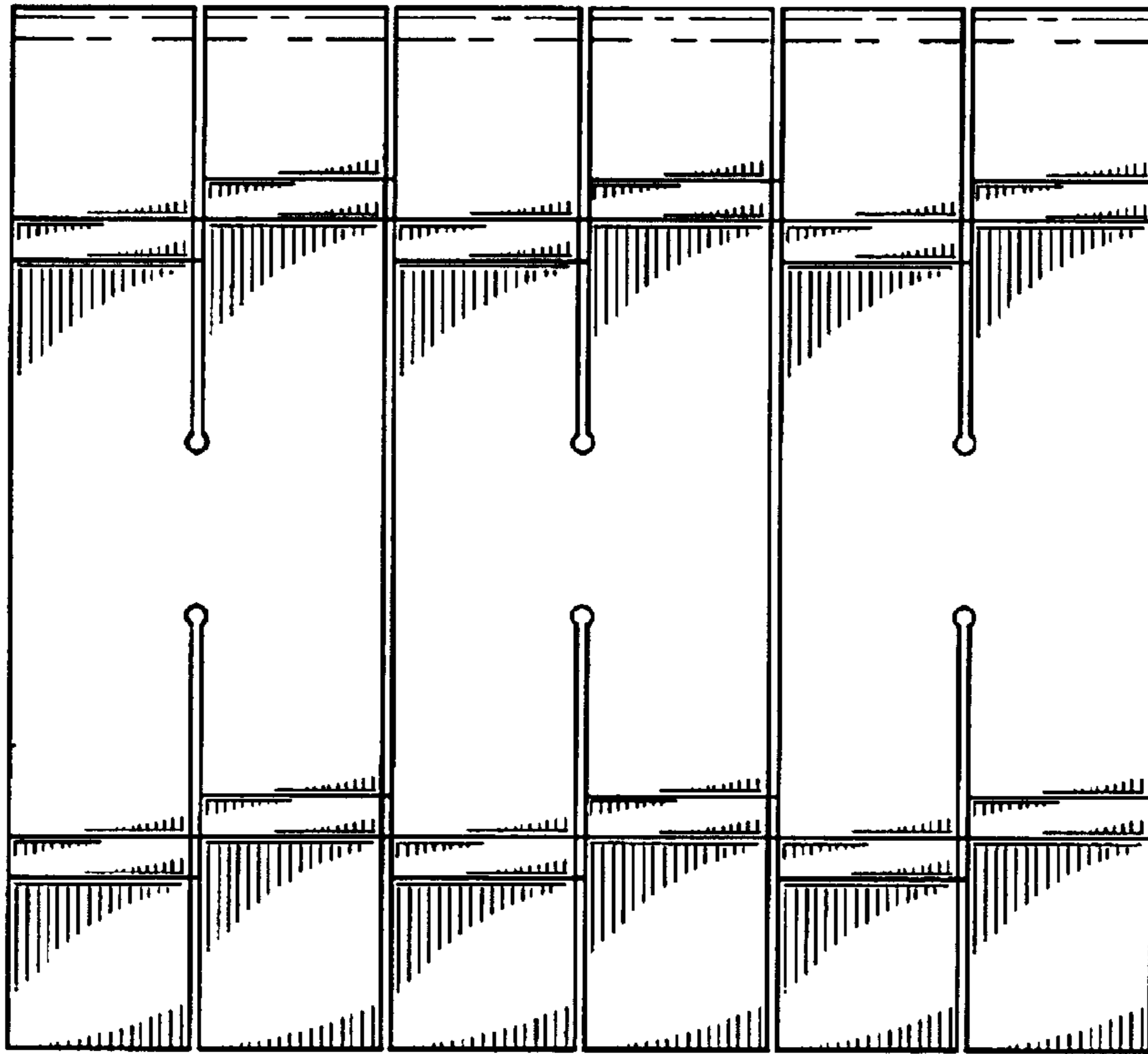


Fig. 18



Fig. 19



Fig. 20