

US00D494725S1

(12) **United States Design Patent**  
**Shea**

(10) **Patent No.:** **US D494,725 S**

(45) **Date of Patent:** **\*\* Aug. 17, 2004**

(54) **PLYWOOD ADJUSTABLE ROLLING  
PAINTER'S PLATFORM**

D341,914 S \* 11/1993 Reiner ..... D34/21  
2002/0027114 A1 \* 3/2002 Krusell ..... 211/85.7

(75) **Inventor:** **Donald Lee Shea**, 708 Georgia Ave.,  
Statesville, NC (US) 28677

\* cited by examiner

*Primary Examiner*—Kay H. Chin

(73) **Assignee:** **Donald Lee Shea**, Statesville, NC (US)

(57) **CLAIM**

(\*\*) **Term:** **14 Years**

The Ornamental design for a plywood adjustable rolling painter's platform, as shown.

(21) **Appl. No.:** **29/180,425**

**DESCRIPTION**

(22) **Filed:** **Apr. 23, 2003**

(51) **LOC (7) Cl.** ..... **12-02**

FIG. 1 is a front elevational of a plywood adjustable rolling painter's platform, showing my new design  
FIG. 2 is a right side elevational view thereof;  
FIG. 3 is a left side elevational view thereof;  
FIG. 4 is a top plan view thereof;  
FIG. 5 is a bottom plan view thereof; and,  
FIG. 6 is a perspective view thereof.

(52) **U.S. Cl.** ..... **D34/21**

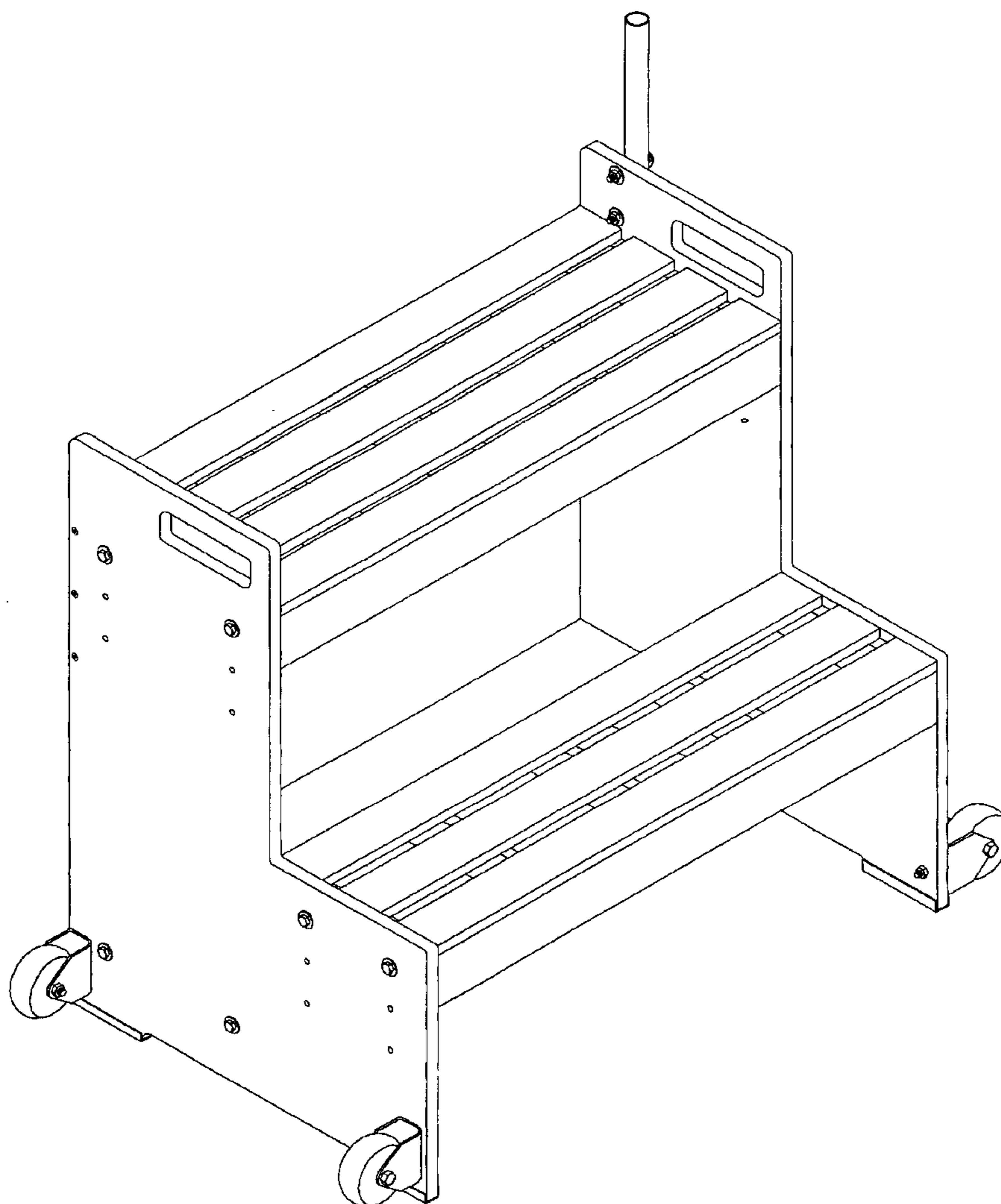
(58) **Field of Search** ..... D34/12-27; 280/47.24,  
280/47.27, 47.29, 47.35; 211/85.7; 414/680

(56) **References Cited**

**U.S. PATENT DOCUMENTS**

3,874,531 A \* 4/1975 Mayo ..... 414/680

**1 Claim, 6 Drawing Sheets**



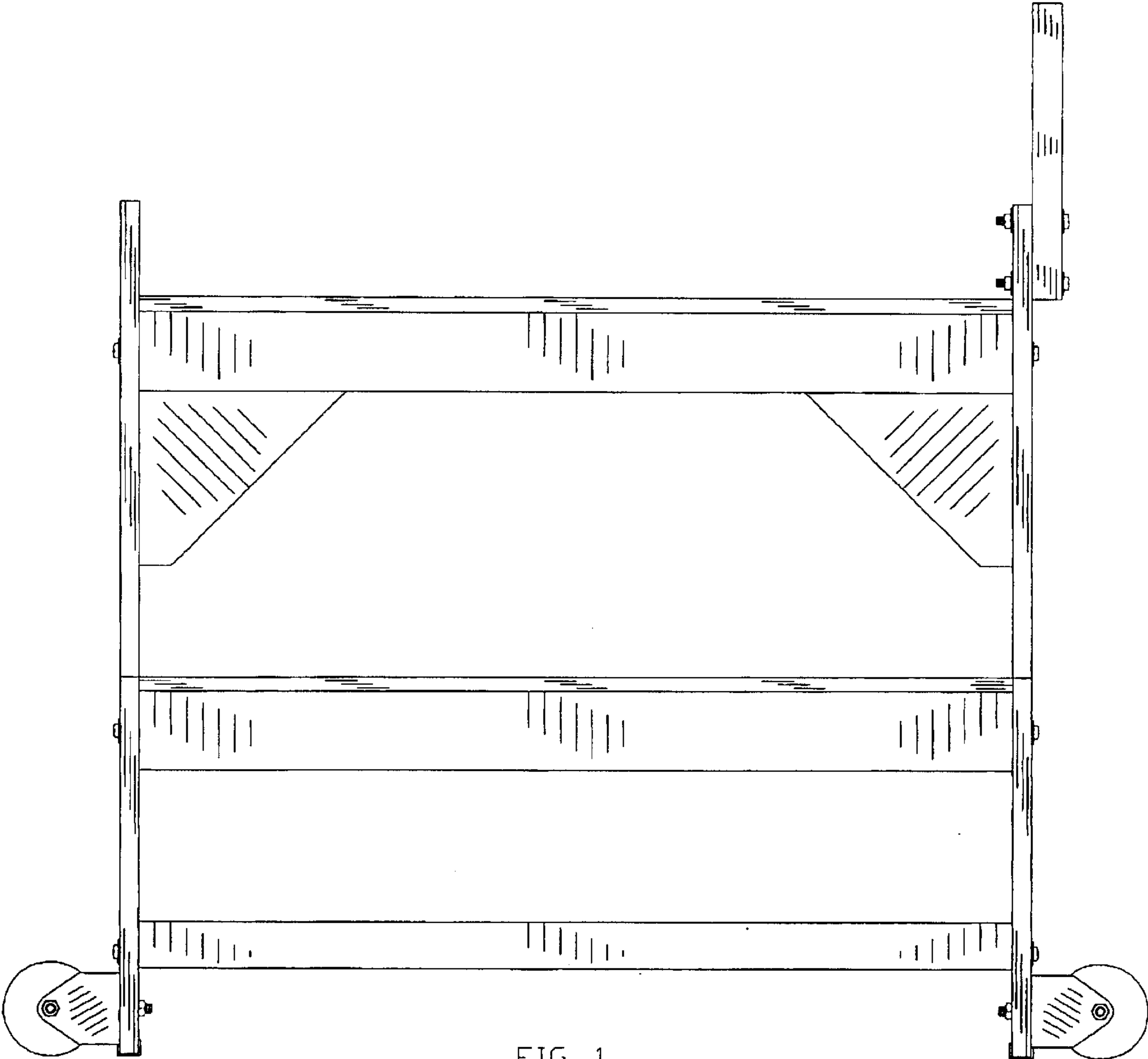


FIG. 1

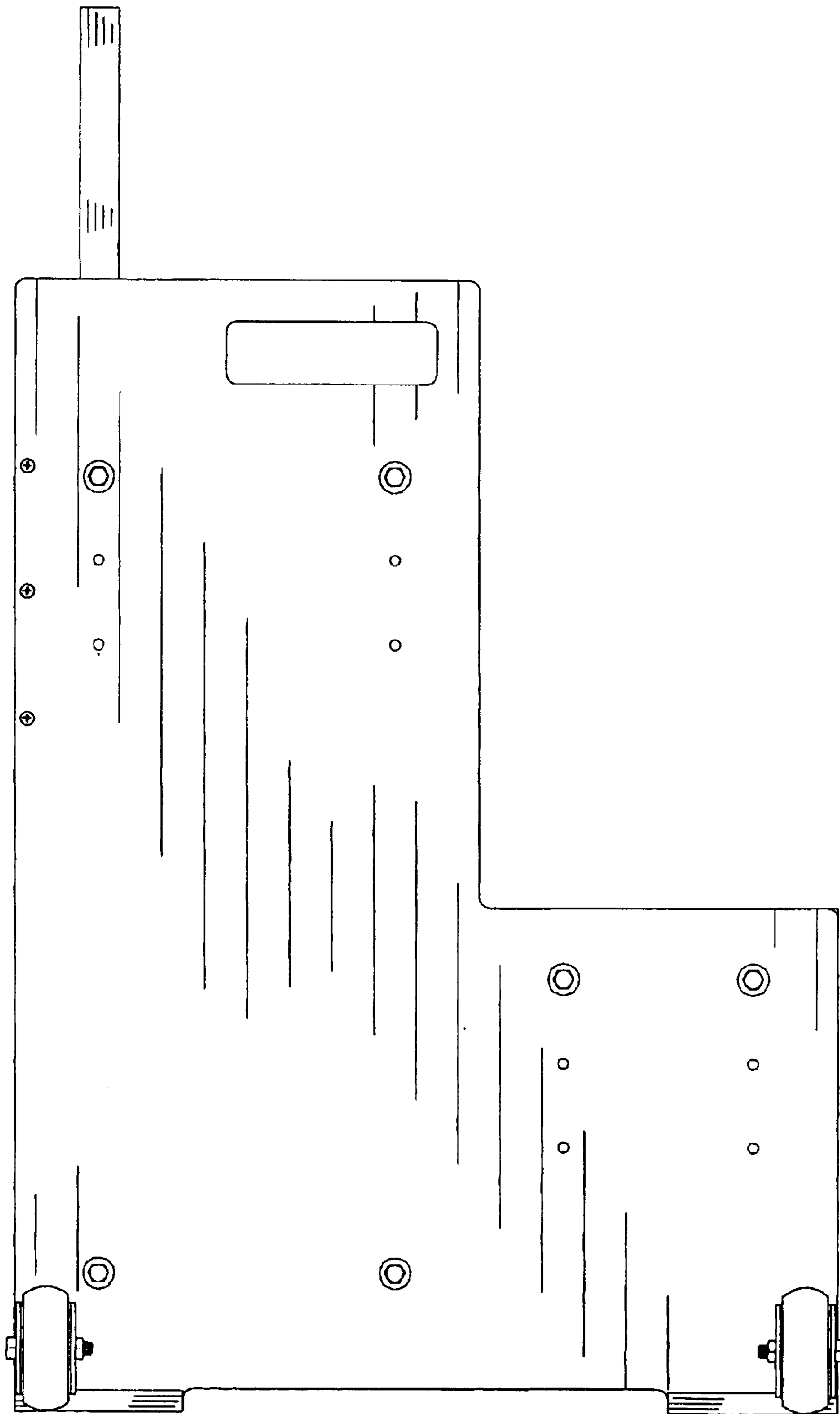


FIG. 2

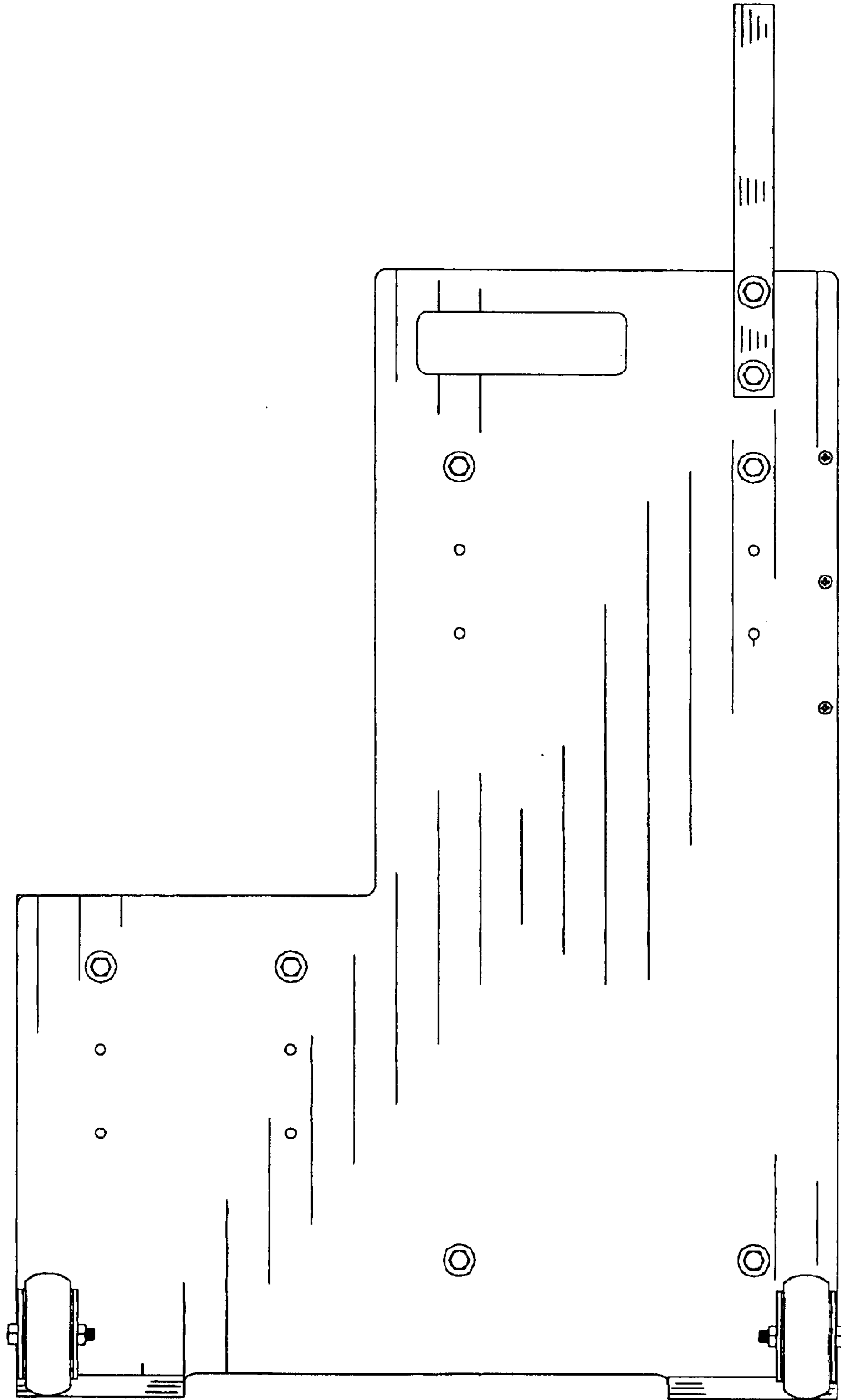


FIG. 3

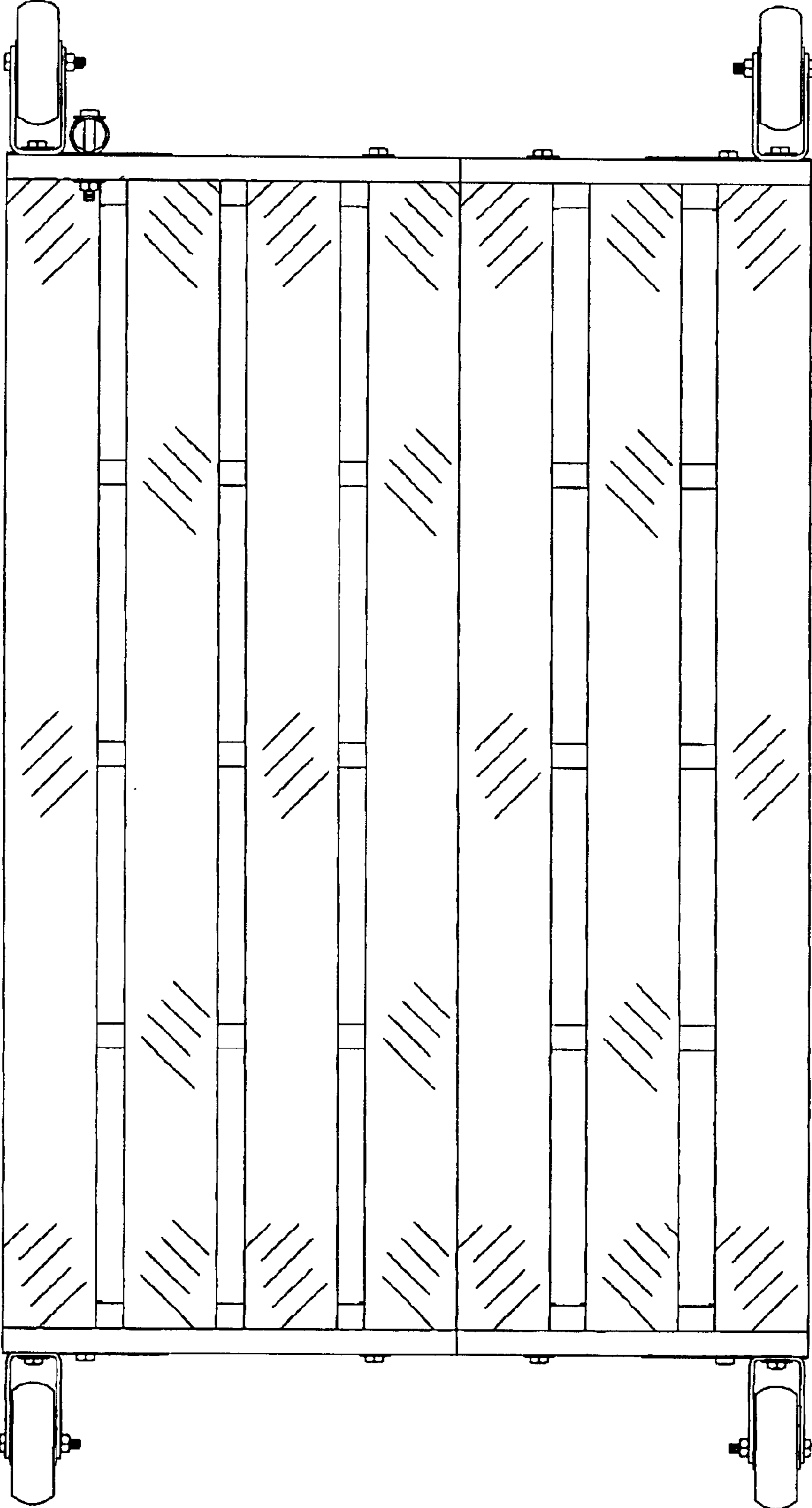


FIG. 4

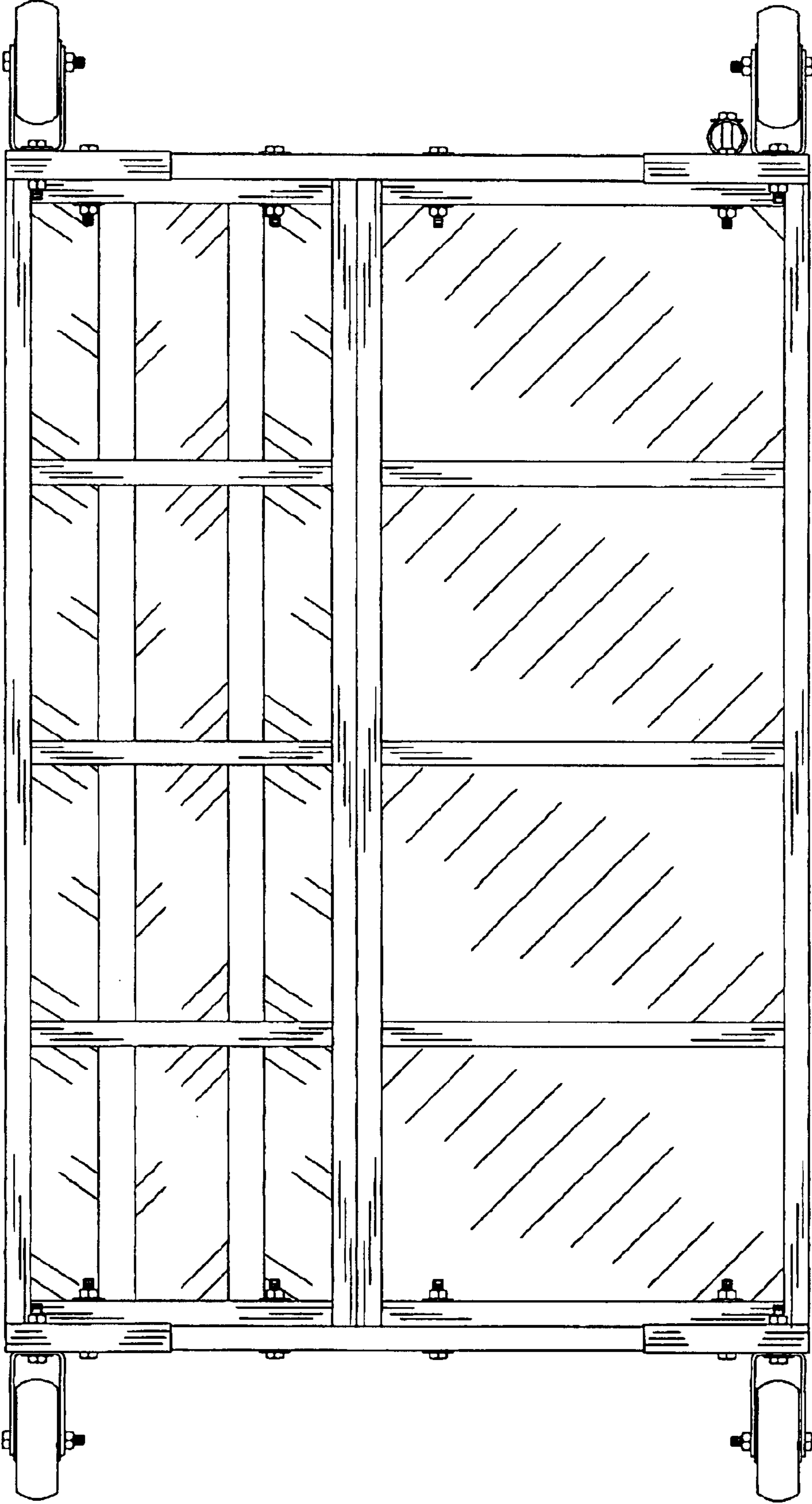


FIG. 5



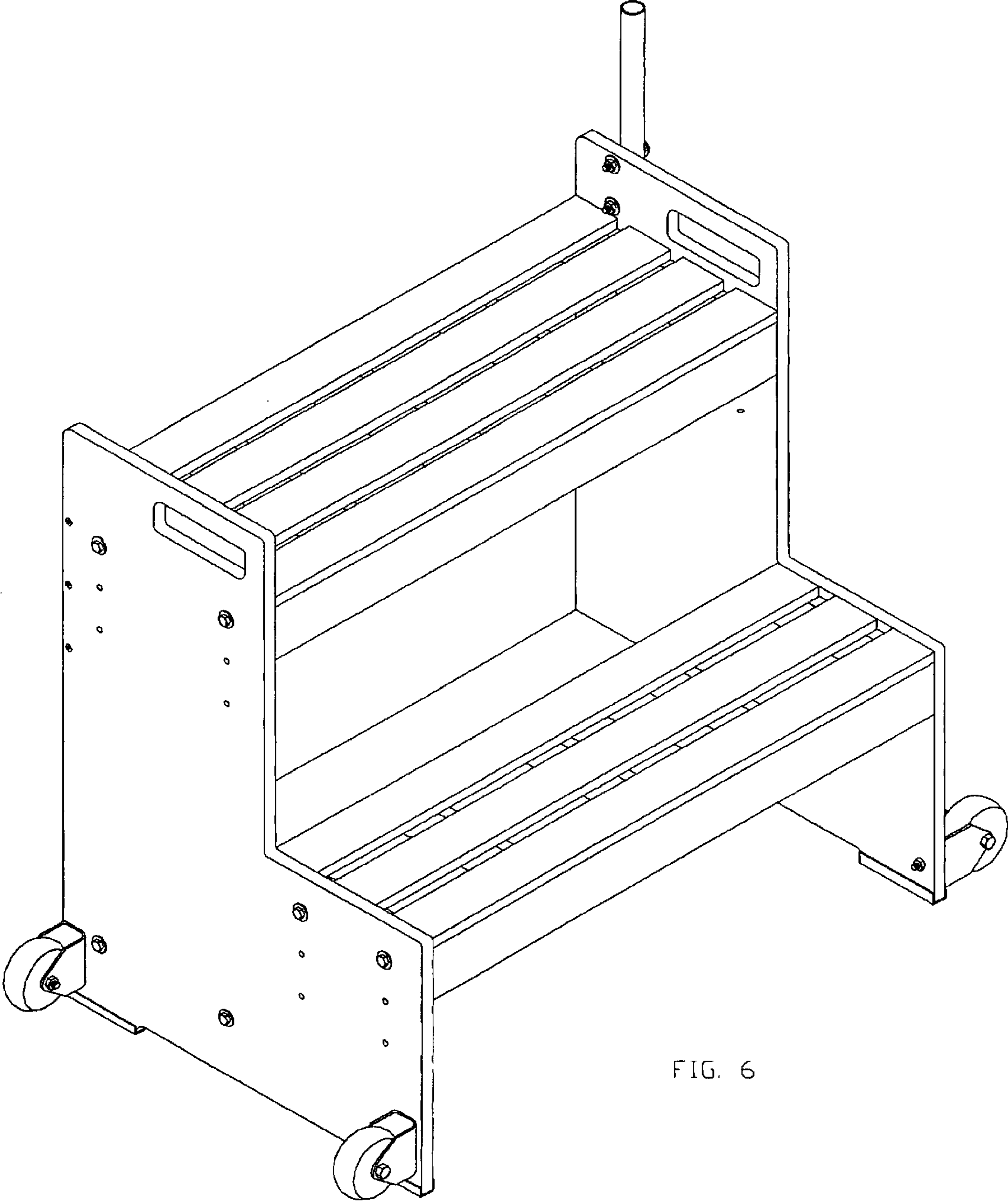


FIG. 6