

US00D494723S1

(12) **United States Design Patent**
Lin

(10) **Patent No.:** **US D494,723 S**

(45) **Date of Patent:** **** Aug. 17, 2004**

(54) **GARBAGE CAN**

(76) **Inventor:** **Tsong-Yow Lin**, No. 57-1, Yung Ho Street, Yung Ho Village, Ta Tu Hsiang, Taichung Hsien (TW)

(**) **Term:** **14 Years**

(21) **Appl. No.:** **29/193,972**

(22) **Filed:** **Nov. 17, 2003**

(51) **LOC (7) Cl.** **09-09**

(52) **U.S. Cl.** **D34/9**

(58) **Field of Search** D34/1, 5, 6, 7,
D34/9, 10, 11; 220/262, 263, 264, 908,
908.1, 909-911

(56) **References Cited**

U.S. PATENT DOCUMENTS

2,242,698 A	*	5/1941	Evitt	220/263
D261,720 S	*	11/1981	Brazis	D34/9
D342,817 S	*	12/1993	Lippisch et al.	D34/7
D351,698 S	*	10/1994	Brussing	D34/1
D352,144 S	*	11/1994	Brookshire et al.	D34/9
D422,123 S	*	3/2000	Roudebush	D32/37

6,179,151 B1	*	1/2001	Radvansky et al.	220/495.06
D458,429 S	*	6/2002	Lenard	D34/1
D482,169 S	*	11/2003	Lin	D34/9
D483,167 S	*	12/2003	Lin	D34/7
D483,919 S	*	12/2003	Lin	D34/7
D484,292 S	*	12/2003	Lin	D34/7

* cited by examiner

Primary Examiner—Cynthia E. Ramirez

(74) *Attorney, Agent, or Firm*—Alan D. Kamrath; Nikolai & Mersereau, P.A.

(57) **CLAIM**

The ornamental design for garbage can, as shown and described.

DESCRIPTION

FIG. 1 is a perspective view of a garbage can showing my new design;
FIG. 2 is a front view thereof;
FIG. 3 is a rear view thereof;
FIG. 4 is a left view thereof; the opposite side being a mirror image of the shown; and,
FIG. 5 is a top view thereof.

1 Claim, 1 Drawing Sheet

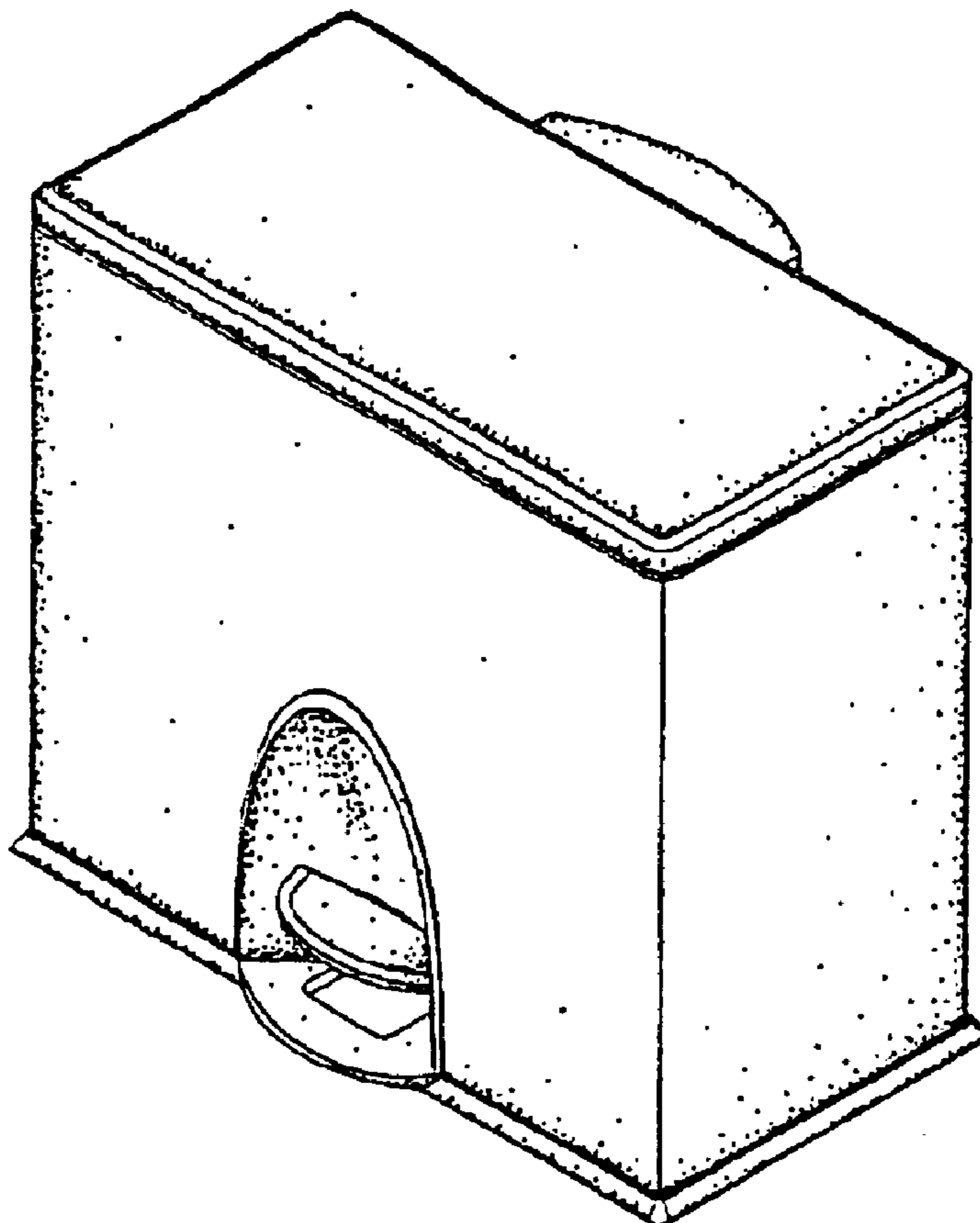


Fig. 1

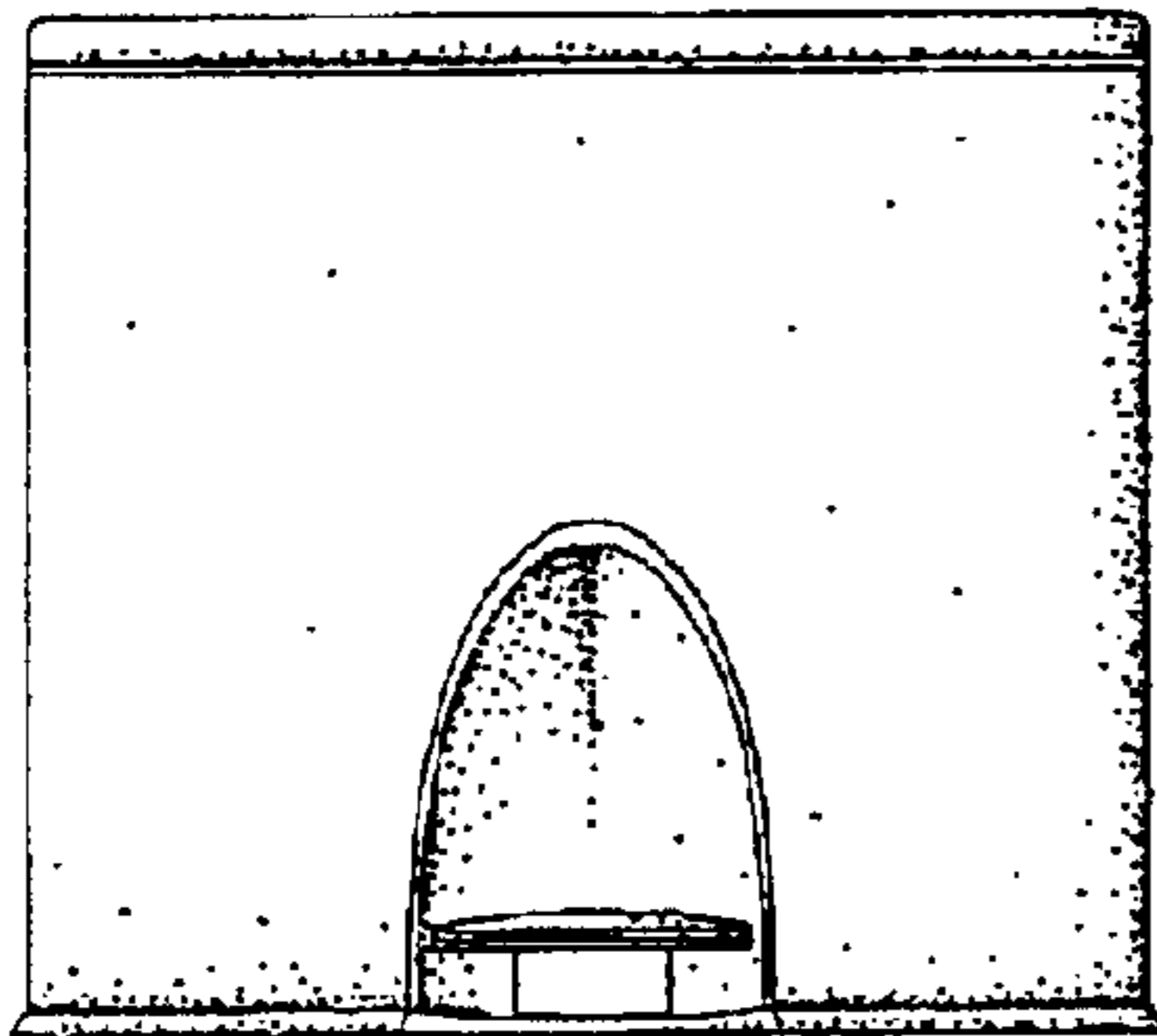
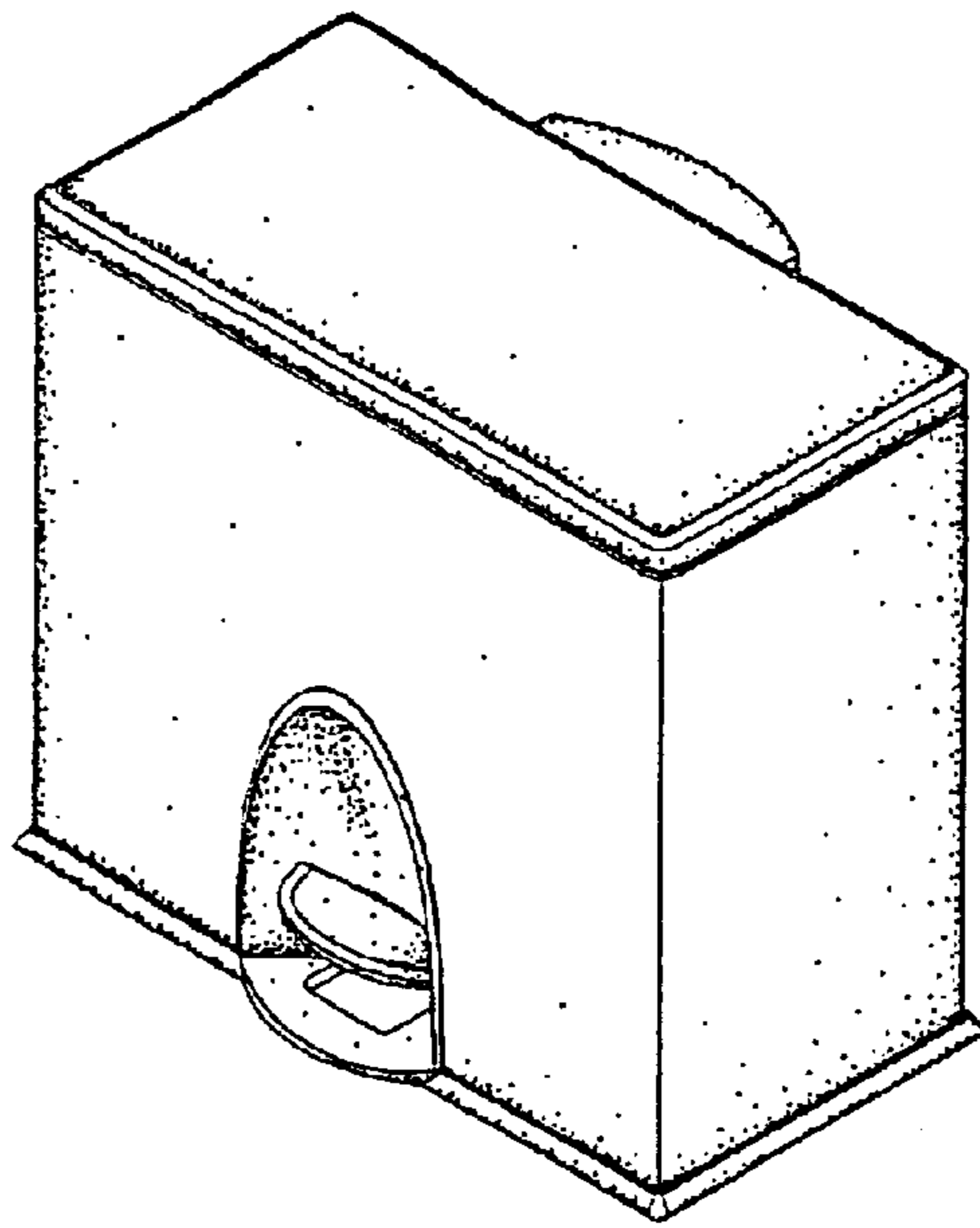


Fig. 2

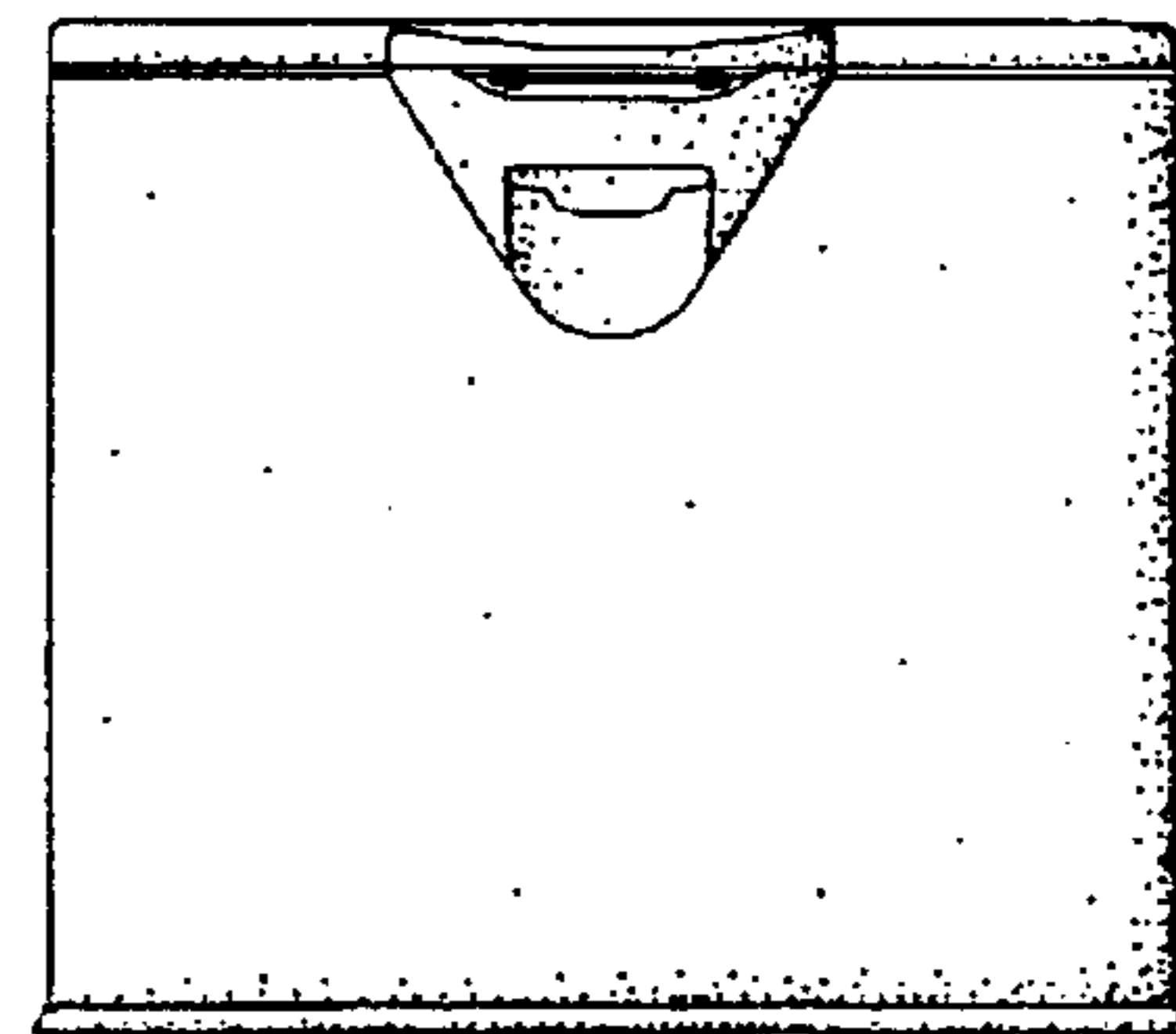


Fig. 3

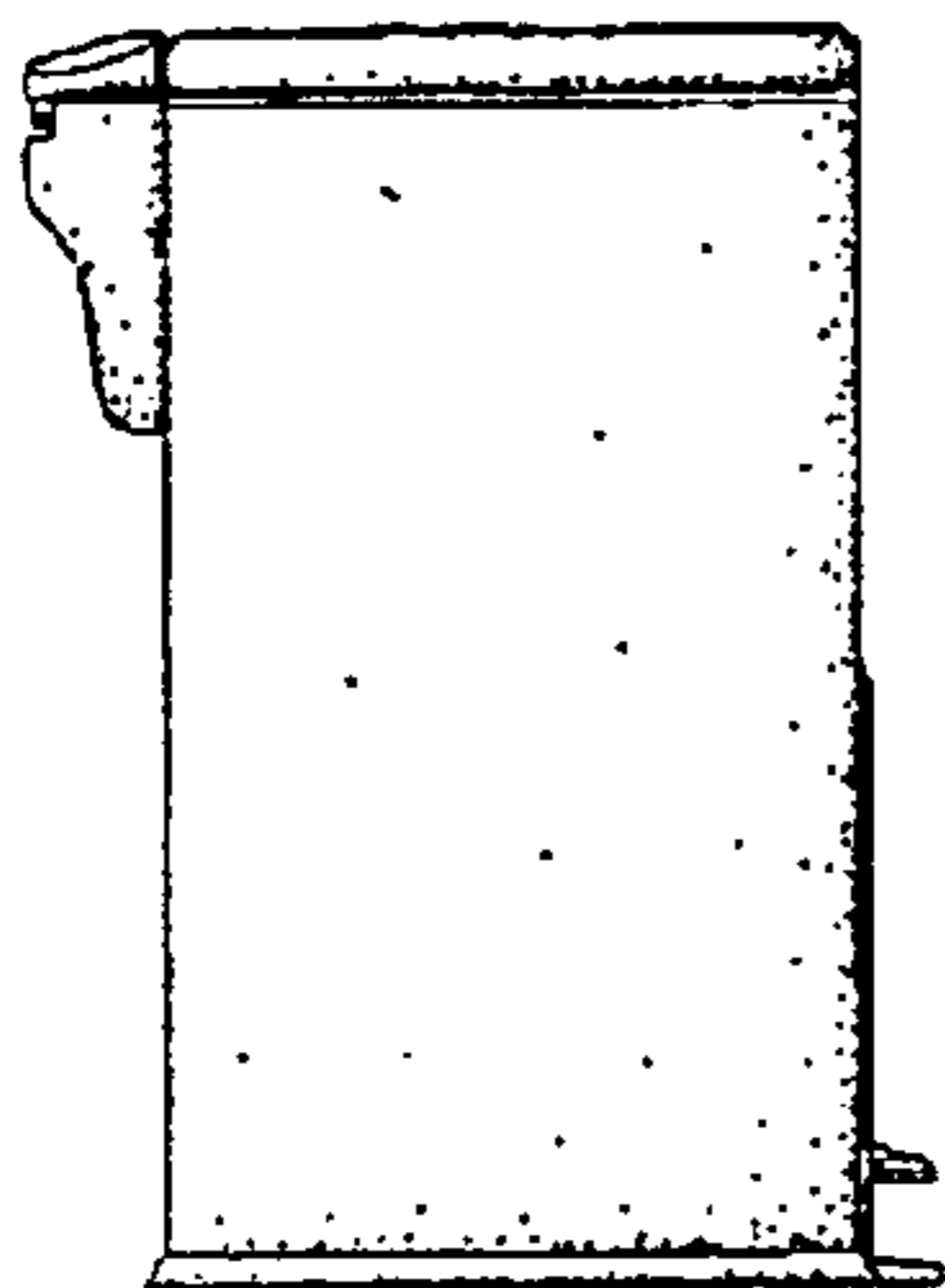


Fig. 4

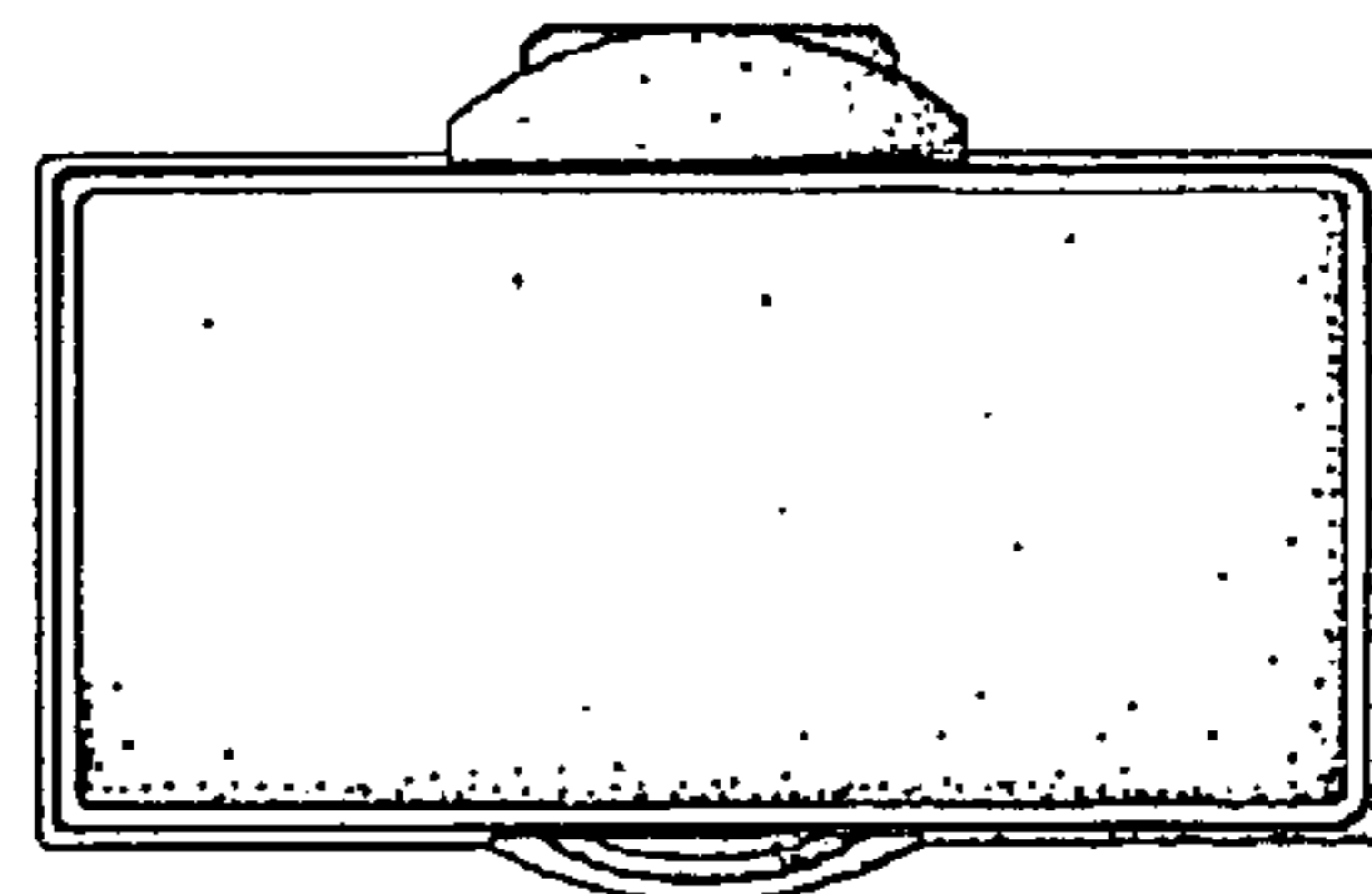


Fig. 5