

US00D494721S1

(12) **United States Design Patent**  
**Kotani**

(10) **Patent No.:** **US D494,721 S**  
(45) **Date of Patent:** **\*\* Aug. 17, 2004**

- (54) **MOTORIZED FLOOR MOP**
- (75) Inventor: **Akihiko Kotani**, Nara (JP)
- (73) Assignee: **Matsushita Electric Industrial Co., Ltd.**, Osaka (JP)
- (\*\*) Term: **14 Years**
- (21) Appl. No.: **29/165,735**
- (22) Filed: **Aug. 15, 2002**
- (30) **Foreign Application Priority Data**  
Feb. 15, 2002 (JP) ..... 2002-003727
- (51) **LOC (7) Cl.** ..... **04-01**
- (52) **U.S. Cl.** ..... **D32/50**
- (58) **Field of Search** ..... D32/38, 40, 50,  
D32/51; 15/41.1, 46, 50.1, 50.2, 98, 147.1,  
147.2, 228, 231, 233

- (56) **References Cited**  
**U.S. PATENT DOCUMENTS**  
5,410,772 A \* 5/1995 Lewis ..... 15/228  
**FOREIGN PATENT DOCUMENTS**  
EP 1027855 \* 8/2000 ..... A47L/5/24  
JP 716450 10/1987  
JP 737239 7/1988

- JP 7-255659 \* 10/1995 ..... A47L/13/24
- JP 1095587 1/2001
- JP 2001-37698 \* 2/2001 ..... A47L/13/24
- JP 1111802 6/2001

\* cited by examiner  
*Primary Examiner*—Alan P. Douglas  
*Assistant Examiner*—Lavone D. Tabor  
(74) *Attorney, Agent, or Firm*—Brinks Hofer Gilson & Lione

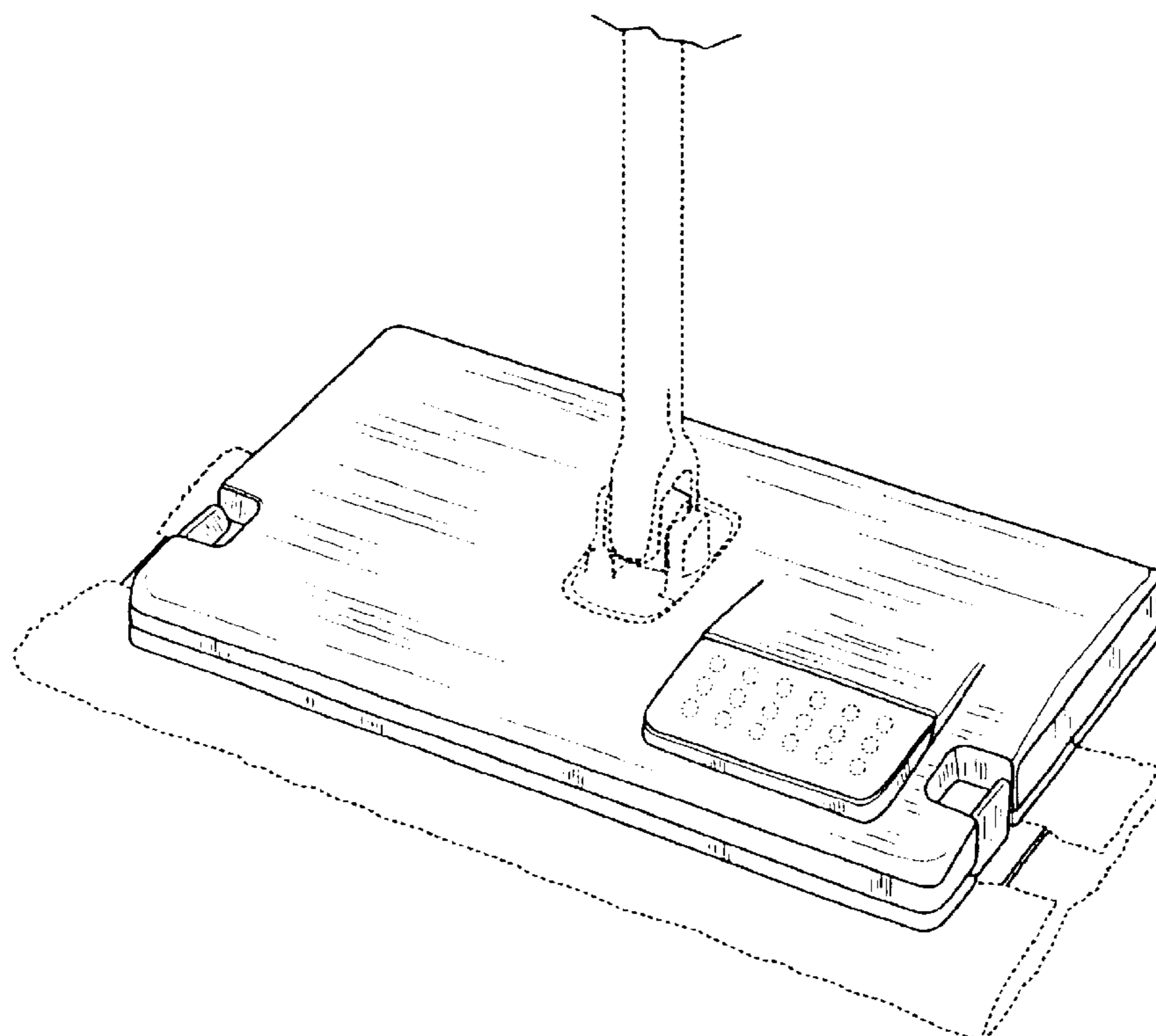
(57) **CLAIM**

The ornamental design for a motorized floor mop, as shown and described.

**DESCRIPTION**

FIG. 1 is a perspective view of a motorized floor mop showing my new design;  
FIG. 2 is an enlarged front elevation view of FIG. 1;  
FIG. 3 is a rear elevation view of FIG. 2;  
FIG. 4 is a right side elevation view of FIG. 2;  
FIG. 5 is a left side elevation view of FIG. 2;  
FIG. 6 is a top plan view of FIG. 2;  
FIG. 7 is a bottom plan view of FIG. 2; and,  
FIG. 8 is a perspective view of FIG. 2 shown in use.  
The broken lines shown in all of the views are for illustrative purposes only and form no part of the claimed design.

**1 Claim, 5 Drawing Sheets**



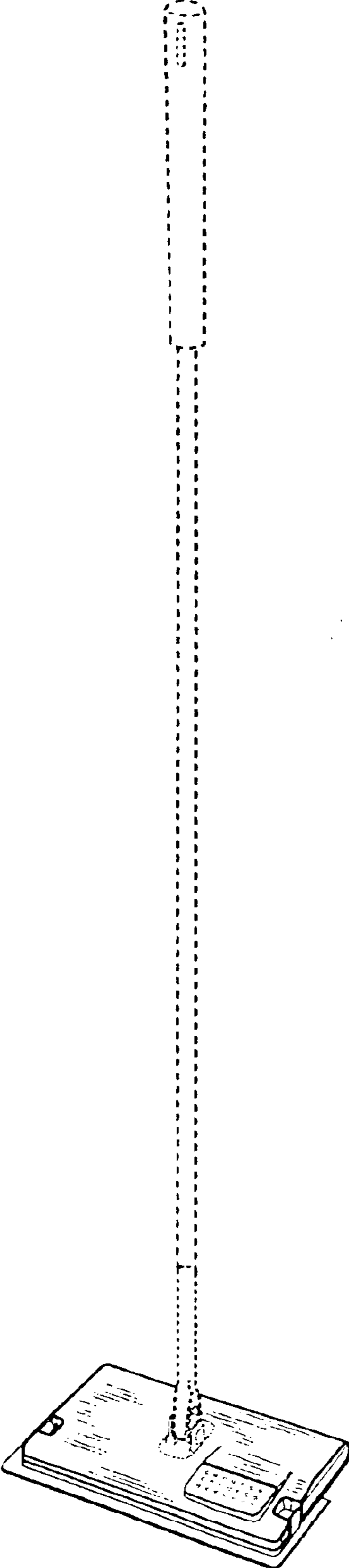


FIG. 1

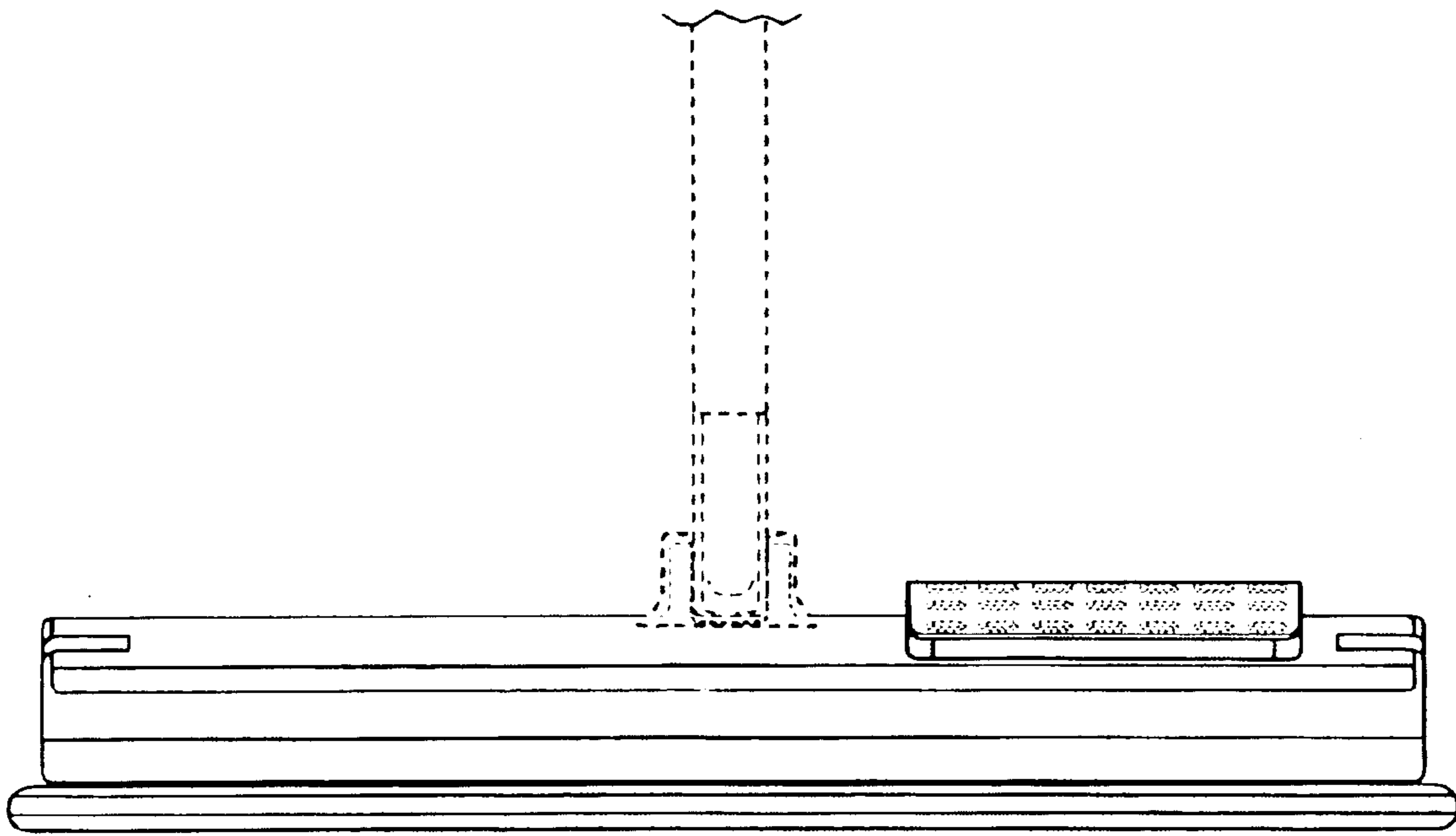


FIG. 2

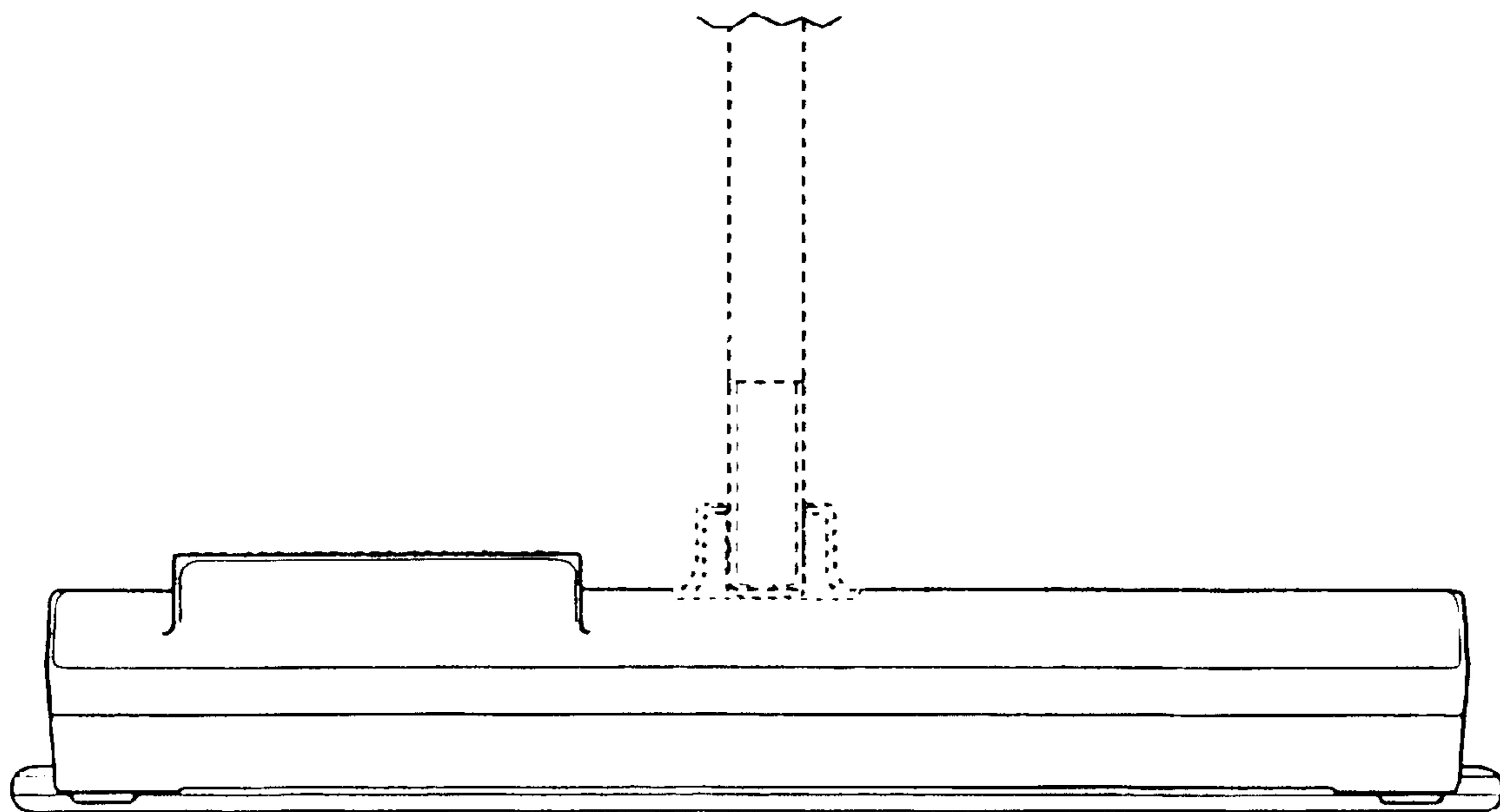


FIG. 3

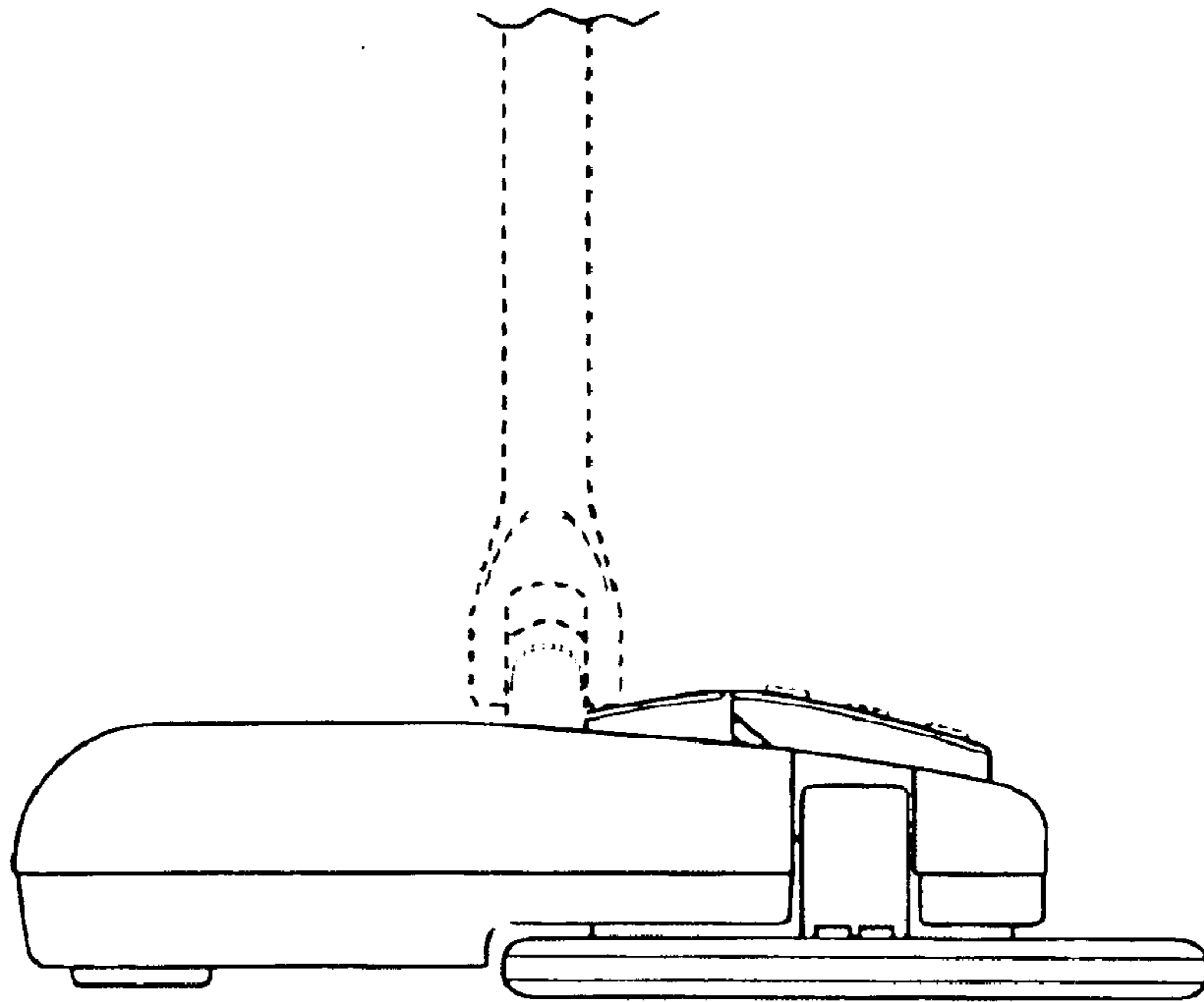


FIG. 4

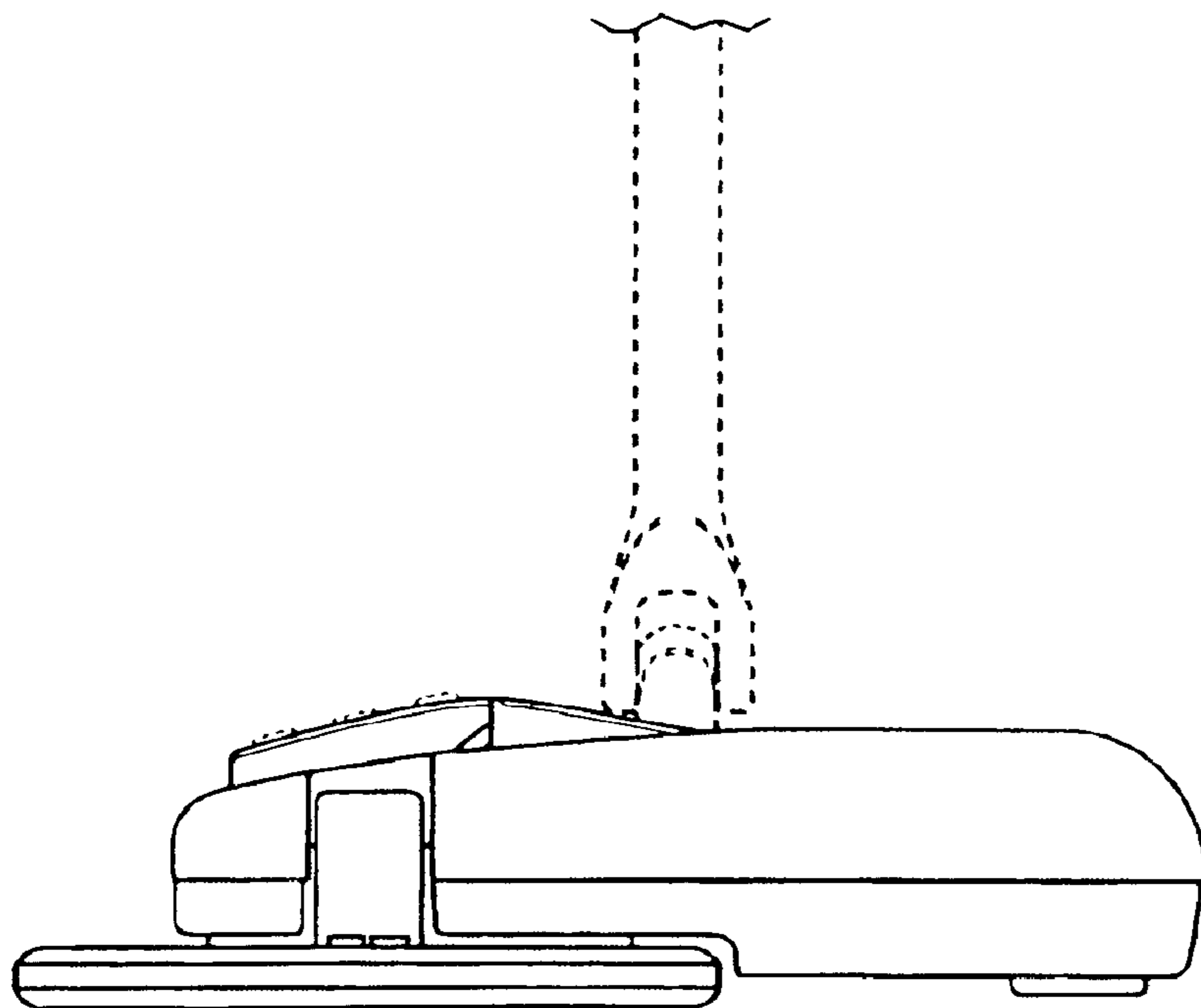


FIG. 5

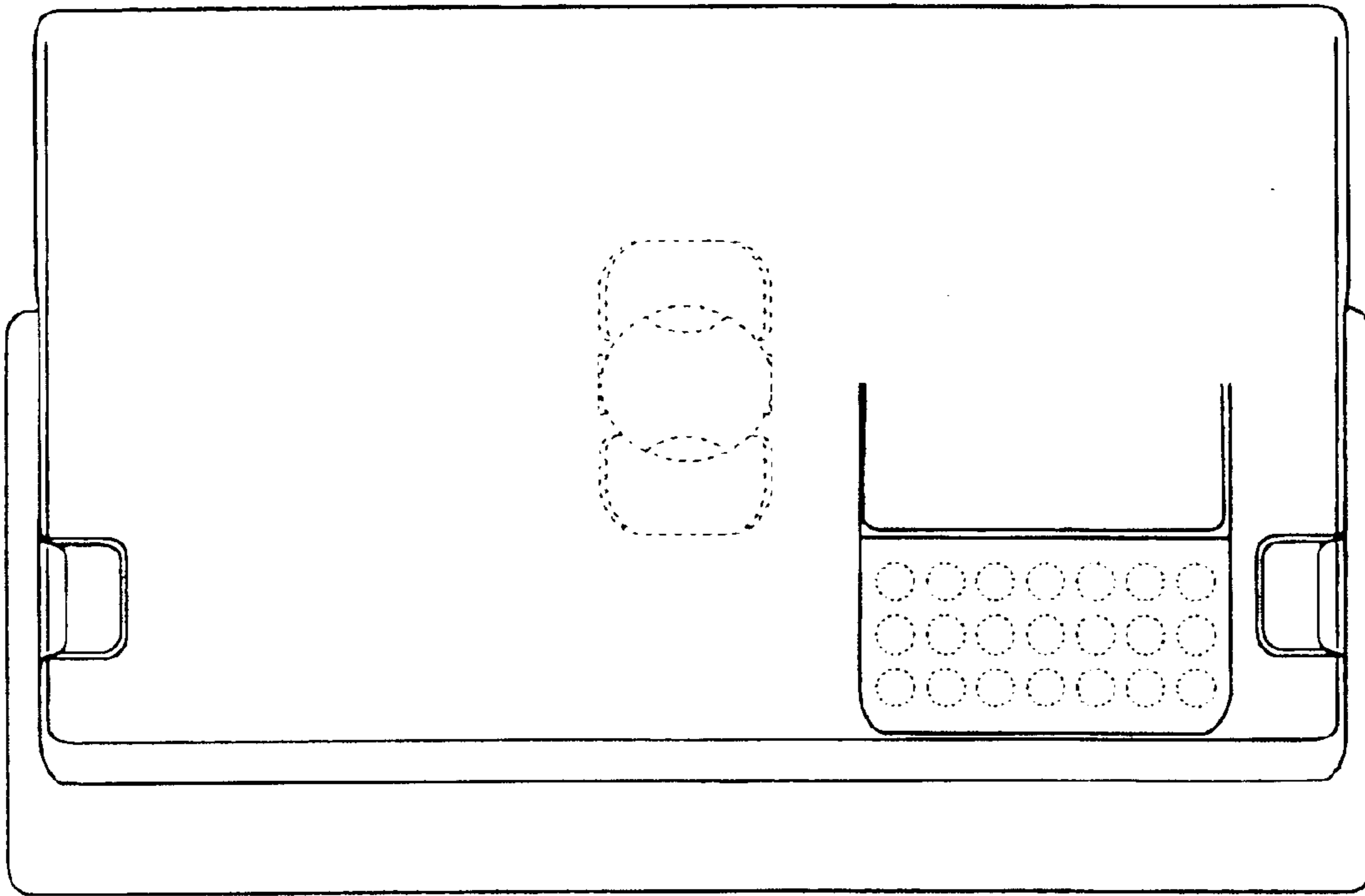


FIG. 6

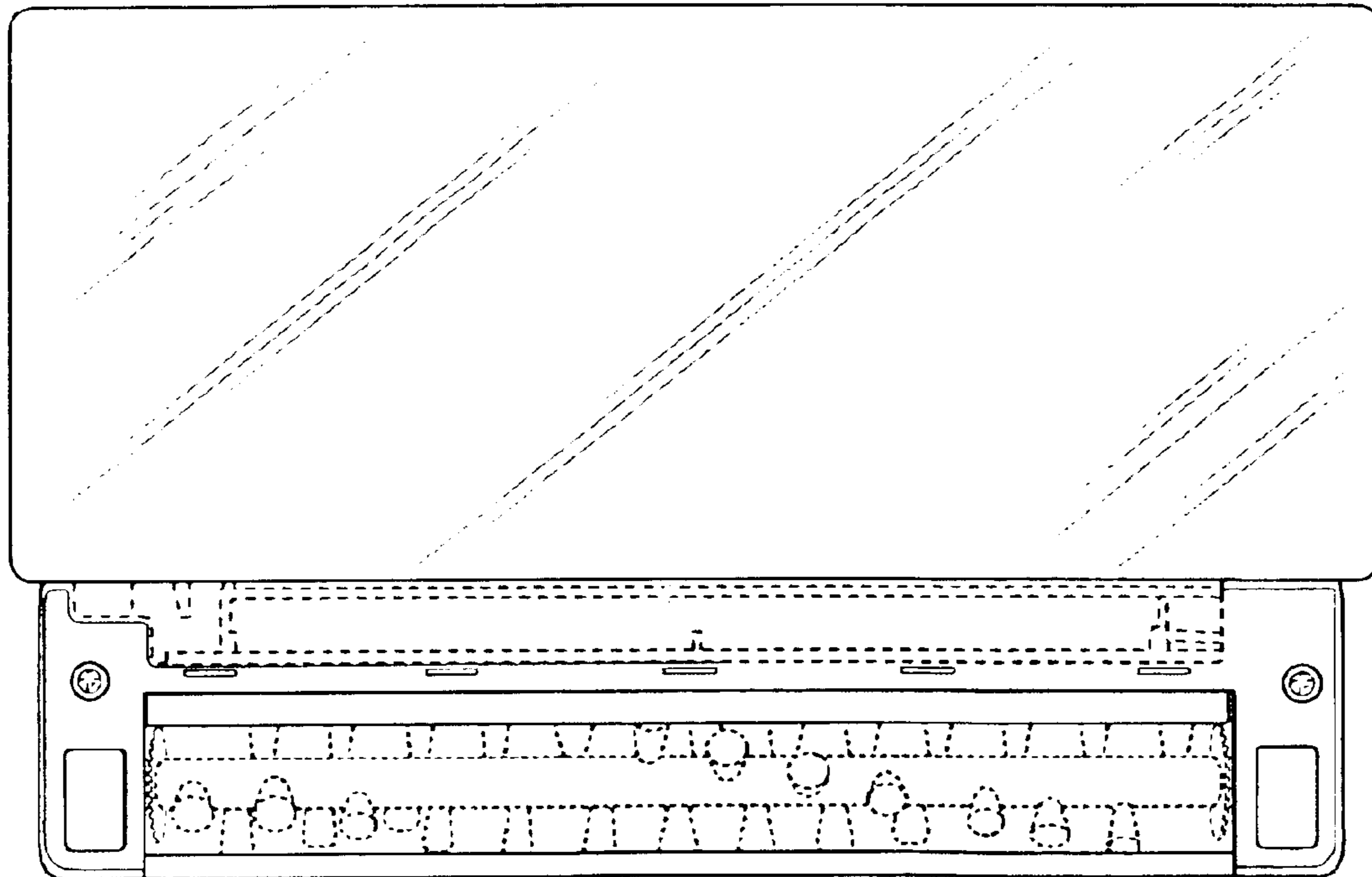


FIG. 7

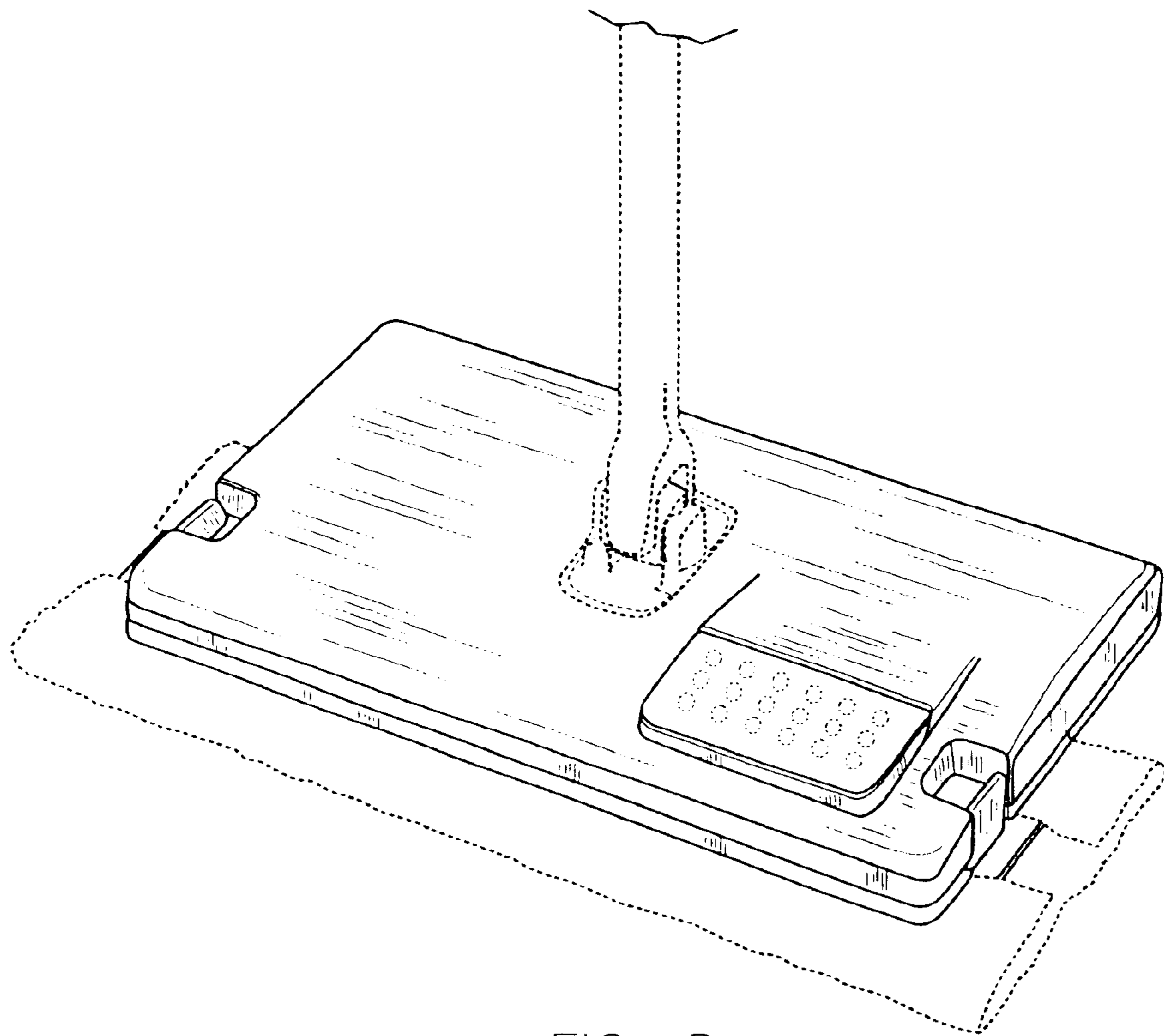


FIG. 8