

US00D494719S1

(12) **United States Design Patent**  
**Rosenzweig et al.**

(10) **Patent No.:** **US D494,719 S**

(45) **Date of Patent:** **\*\* Aug. 17, 2004**

- (54) **DIRT CUP FOR VACUUM CLEANER**
- (75) Inventors: **Mark Rosenzweig**, Chestnut Hill, MA (US); **Terry Robertson**, Auburn, AL (US)
- (73) Assignee: **Euro-Pro Operating, LLC**, West Newton, MA (US)
- (\*\*) Term: **14 Years**

6,428,589 B1 *	8/2002	Bair et al. ....	55/318
D462,813 S *	9/2002	Nakano et al. ....	D32/22
D462,814 S *	9/2002	Sugimoto ....	D32/22
D463,078 S *	9/2002	Harada ....	D32/22
6,521,006 B2 *	2/2003	Park et al. ....	55/337
D471,683 S *	3/2003	Dyson et al. ....	D32/30
6,578,230 B2 *	6/2003	Park et al. ....	15/353
6,616,721 B2 *	9/2003	Oh ....	55/426
D481,180 S *	10/2003	Fujii ....	D32/22
D481,844 S *	11/2003	Greene et al. ....	D32/30
D483,535 S	12/2003	Leyden et al.	
2004/0010885 A1	1/2004	Hitzelberger et al.	

- (21) Appl. No.: **29/200,745**
- (22) Filed: **Mar. 4, 2004**

- (51) **LOC (7) Cl.** ..... **15-05**
- (52) **U.S. Cl.** ..... **D32/31**
- (58) **Field of Search** ..... D32/30-34, 21-24; 15/350, 352-353, 321-322, 346-347, 412, 400, 327.1-327.7, 410, 414, 381, 383; 55/337, DIG. 3, 459.1, 429, 345, 447; 95/271, 268; 210/512.1

\* cited by examiner

*Primary Examiner*—Ruth McInroy  
(74) *Attorney, Agent, or Firm*—Reed Smith LLP; Michael I. Wolfson; Sylvia Tan

(57) **CLAIM**

The ornamental design for a dirt cup for vacuum cleaner, as shown and described.

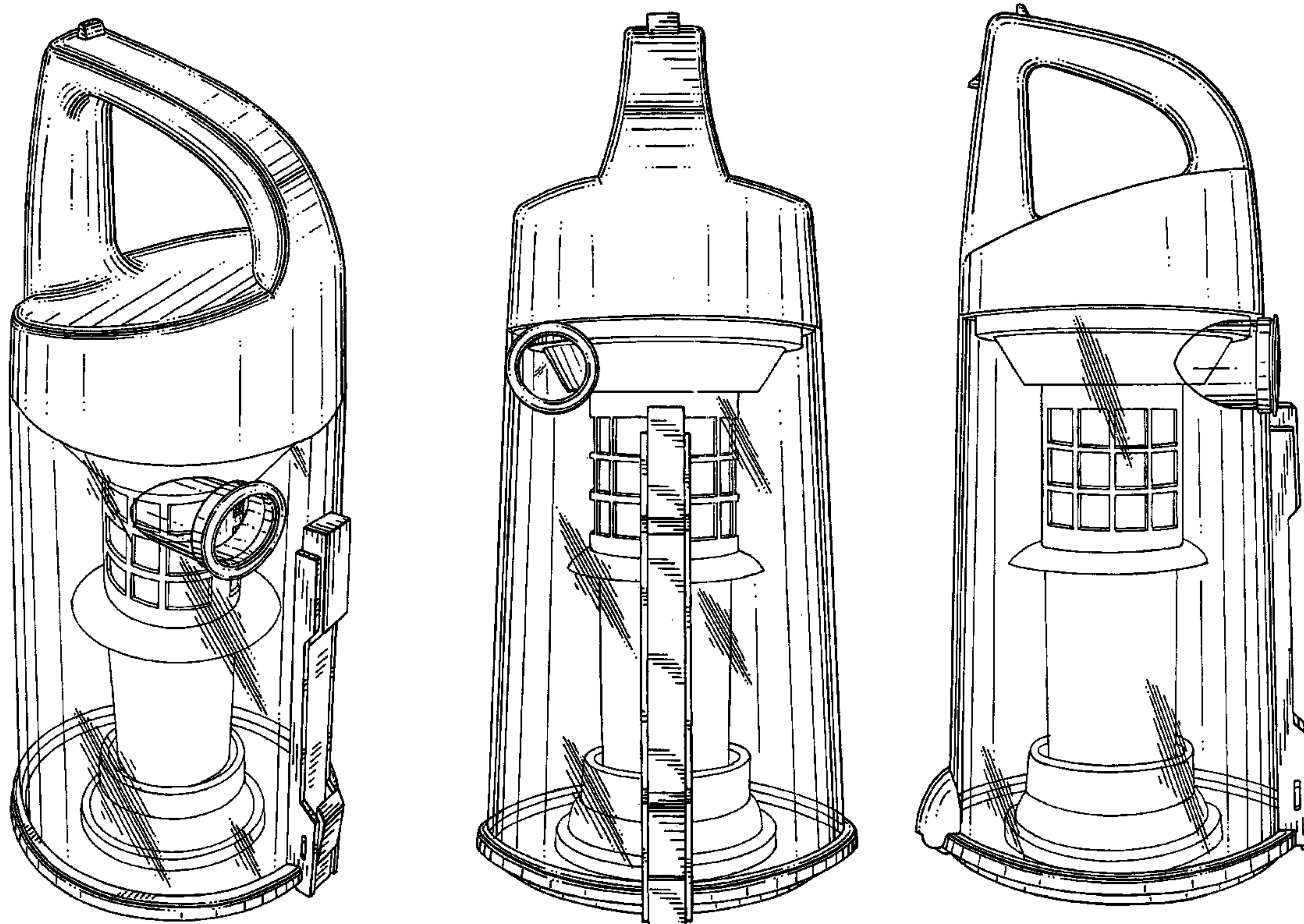
**DESCRIPTION**

FIG. 1 is a top, front and left side perspective view of a dirt cup for vacuum cleaner showing our new design; FIG. 2 is a front perspective view thereof; FIG. 3 is a right side perspective view thereof; FIG. 4 is a left side perspective view thereof; FIG. 5 is a rear perspective view thereof; FIG. 6 is a top perspective view thereof; and, FIG. 7 is a bottom perspective view thereof.

(56) **References Cited**  
**U.S. PATENT DOCUMENTS**

5,078,761 A *	1/1992	Dyson	
D417,533 S *	12/1999	Burchard et al. ....	D32/22
D435,945 S *	1/2001	Ikeno et al. ....	D32/22
6,193,787 B1 *	2/2001	Dyson et al. ....	95/271
D439,379 S *	3/2001	Gammack et al. ....	D32/22
6,251,296 B1 *	6/2001	Conrad et al. ....	210/806
6,341,404 B1	1/2002	Salo et al.	
D453,595 S	2/2002	Stephens et al.	

**1 Claim, 6 Drawing Sheets**



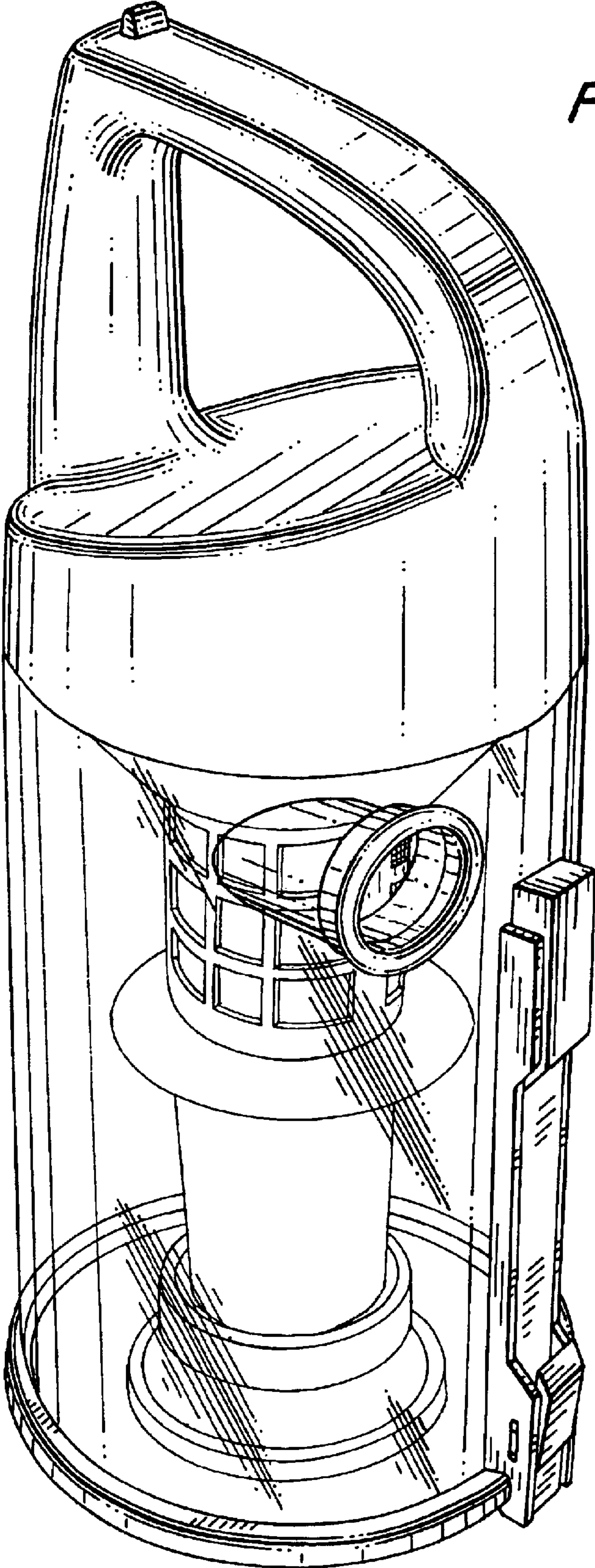
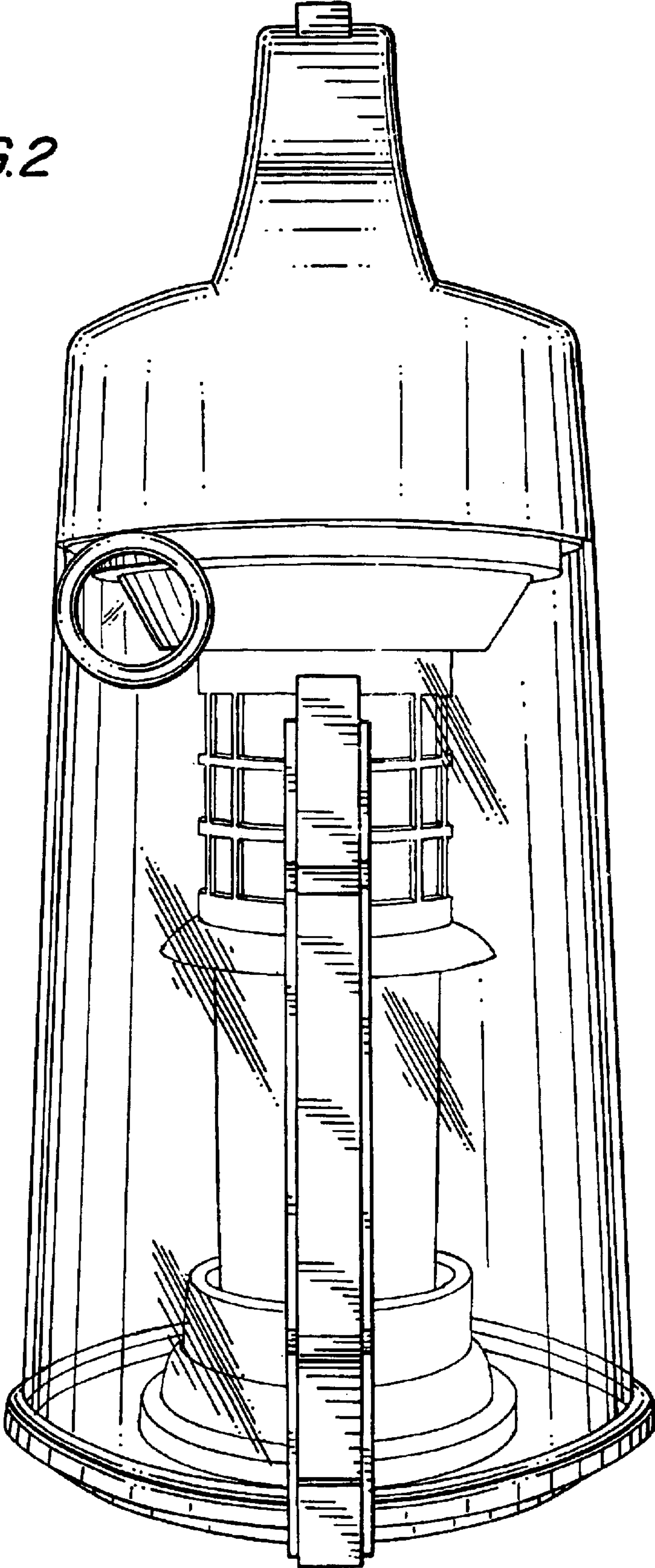


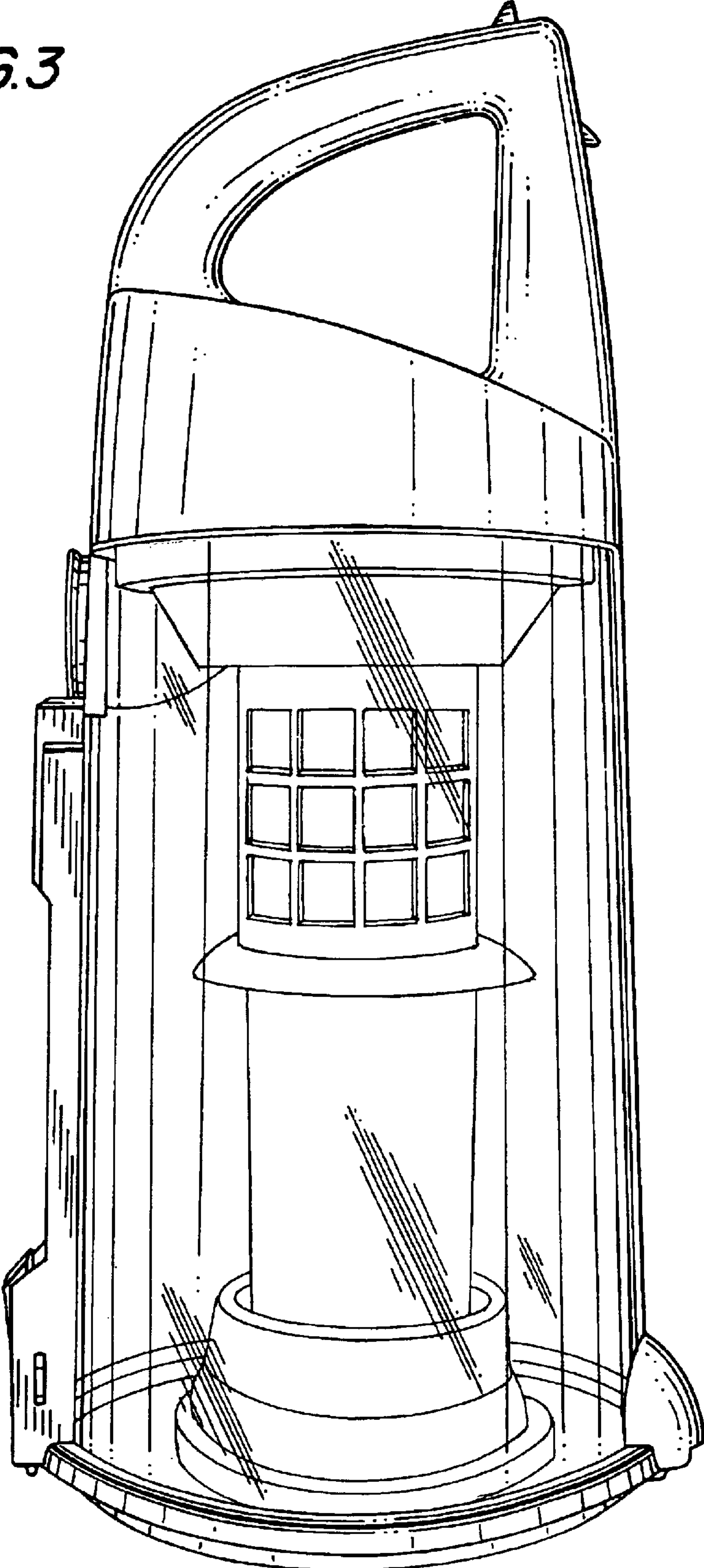
FIG. 1

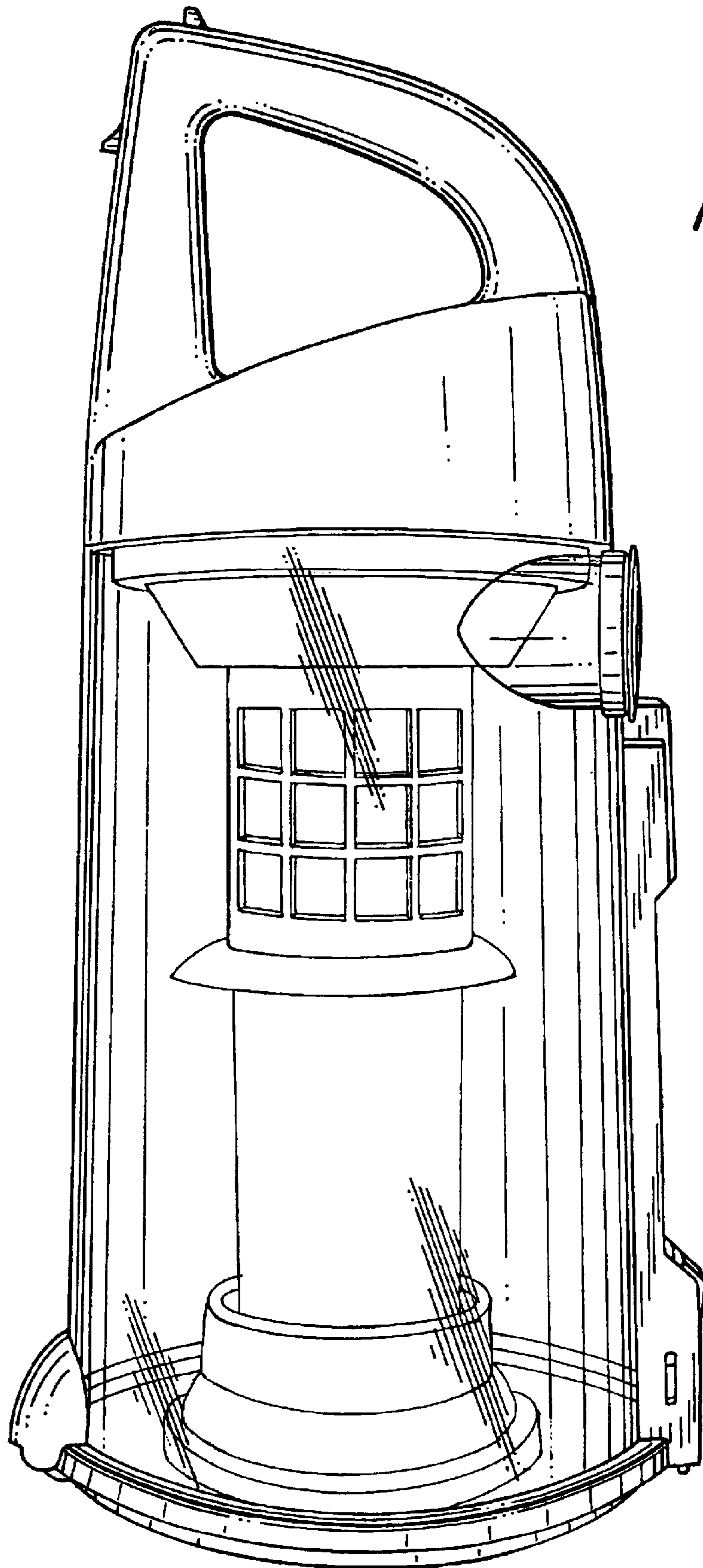


FIG. 2

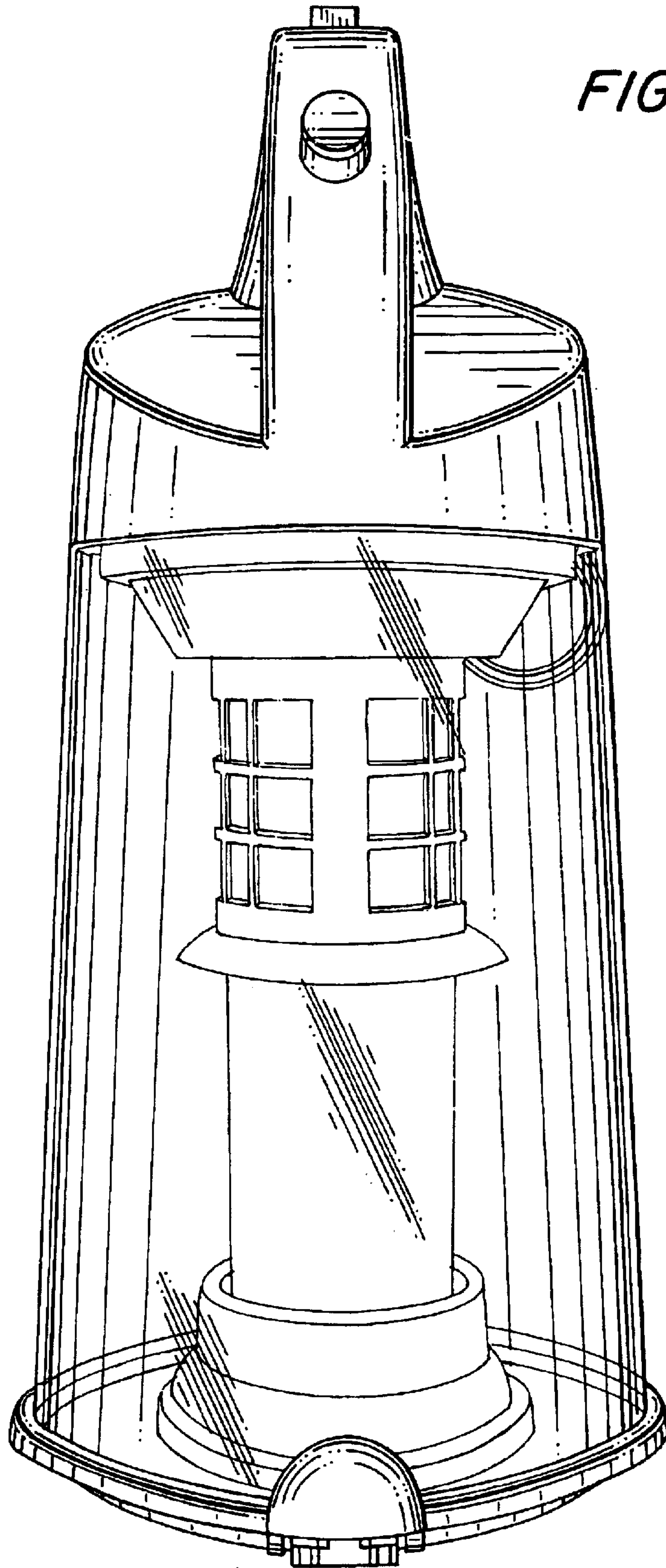


*FIG. 3*





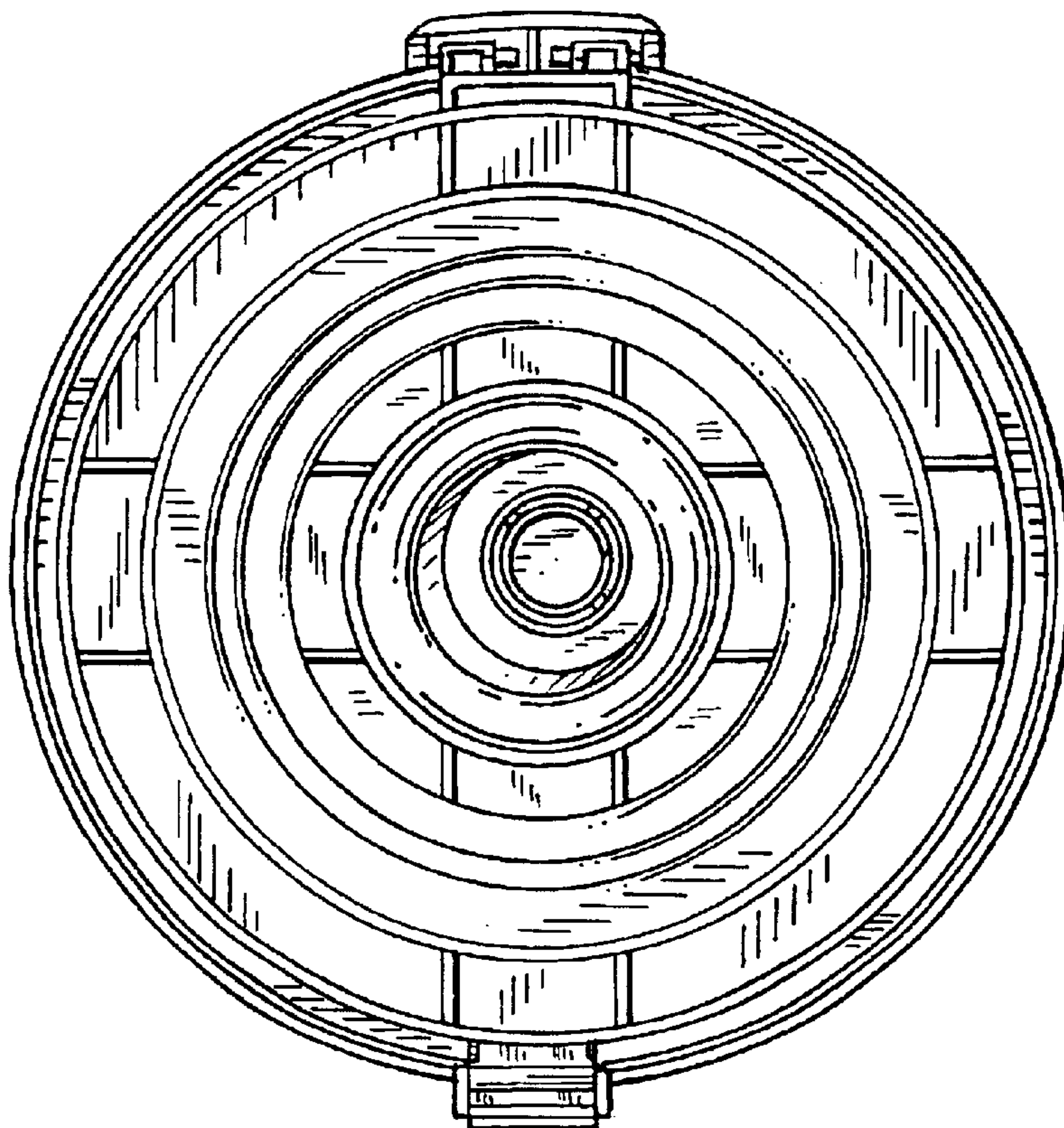
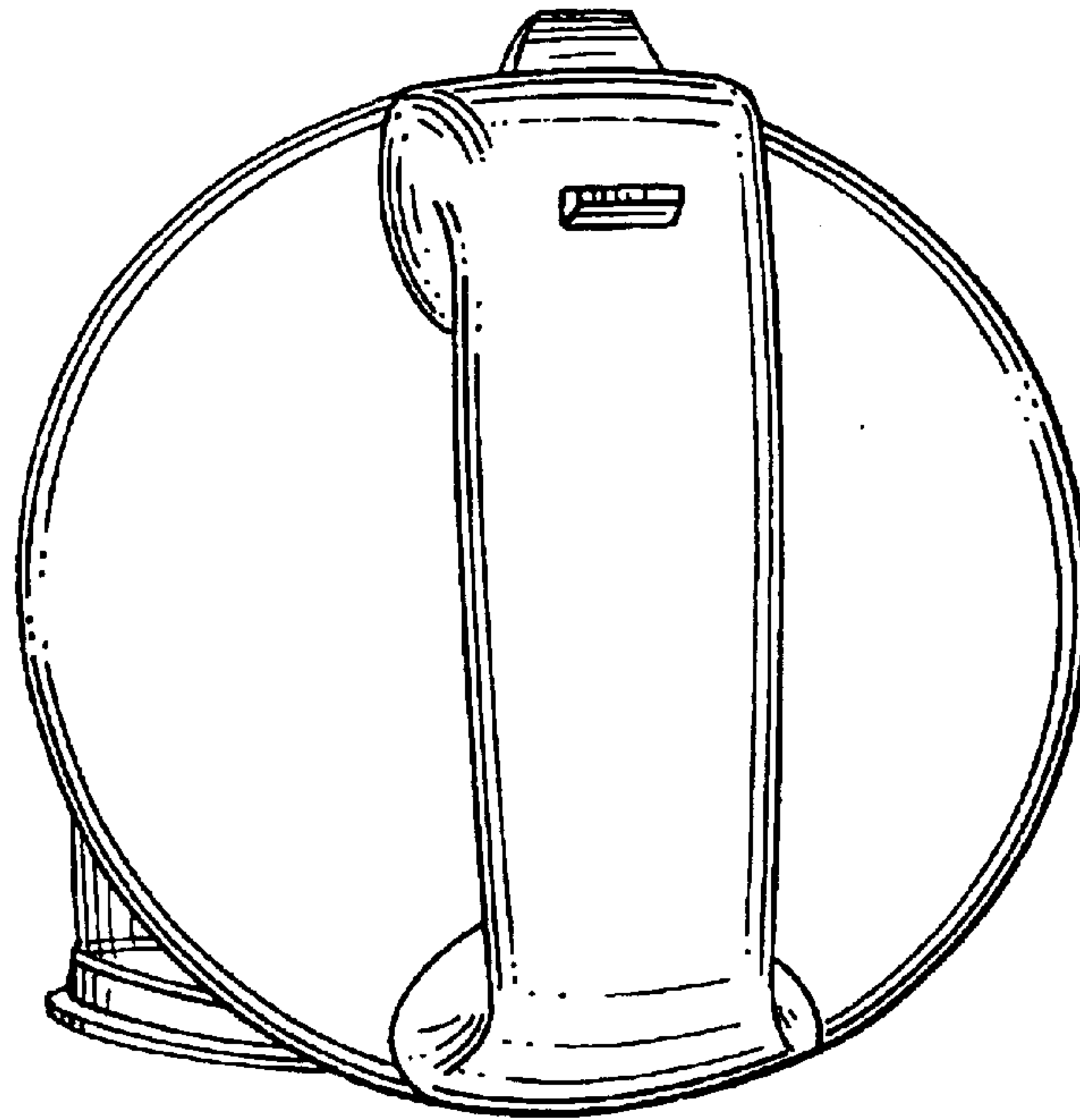
*FIG. 4*



*FIG. 5*



*FIG. 6*



*FIG. 7*