



US00D494714S1

(12) **United States Design Patent**  
**Sellers**

(10) **Patent No.:** **US D494,714 S**

(45) **Date of Patent:** **\*\* Aug. 17, 2004**

(54) **PET FOOD DISH**

(76) Inventor: **Kathleen R. Sellers**, 3594 S. Ocean Blvd, #301, Highland Beach, FL (US) 33487

(\*\*) Term: **14 Years**

(21) Appl. No.: **29/176,838**

(22) Filed: **Feb. 26, 2003**

(51) **LOC (7) Cl.** ..... **30-03**

(52) **U.S. Cl.** ..... **D30/130; D30/129**

(58) **Field of Search** ..... **D30/121, 129-133; 119/51.1, 61; 248/151, 184; 108/156**

(56) **References Cited**

**U.S. PATENT DOCUMENTS**

4,044,723 A \* 8/1977 Fitzpatrick ..... 119/61

5,509,376 A \* 4/1996 Tsengas ..... 119/51.5

\* cited by examiner

*Primary Examiner*—Pamela Burgess

(74) *Attorney, Agent, or Firm*—Malin, Haley & DiMaggio, P.A.

(57) **CLAIM**

The ornamental design for the pet food dish, as shown and described.

**DESCRIPTION**

FIG. 1 is a perspective view of the pet food dish showing the new design;

FIG. 2 is a front elevational view thereof;

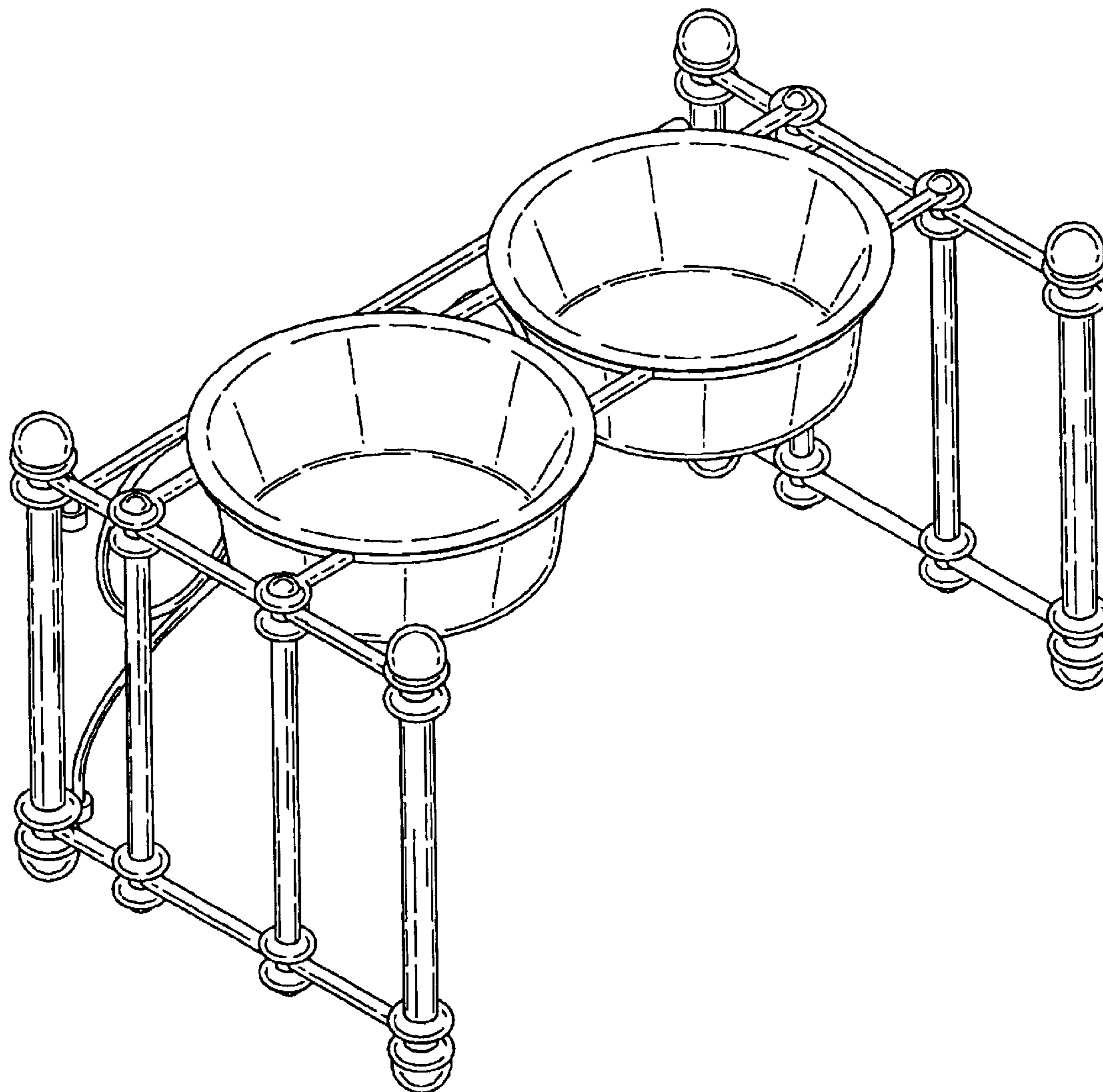
FIG. 3 is a rear elevational view thereof;

FIG. 4 is right side elevational view thereof, the left side elevational view is a mirror image thereof;

FIG. 5 is a top plan view thereof; and,

FIG. 6 is a bottom plan view thereof.

**1 Claim, 3 Drawing Sheets**



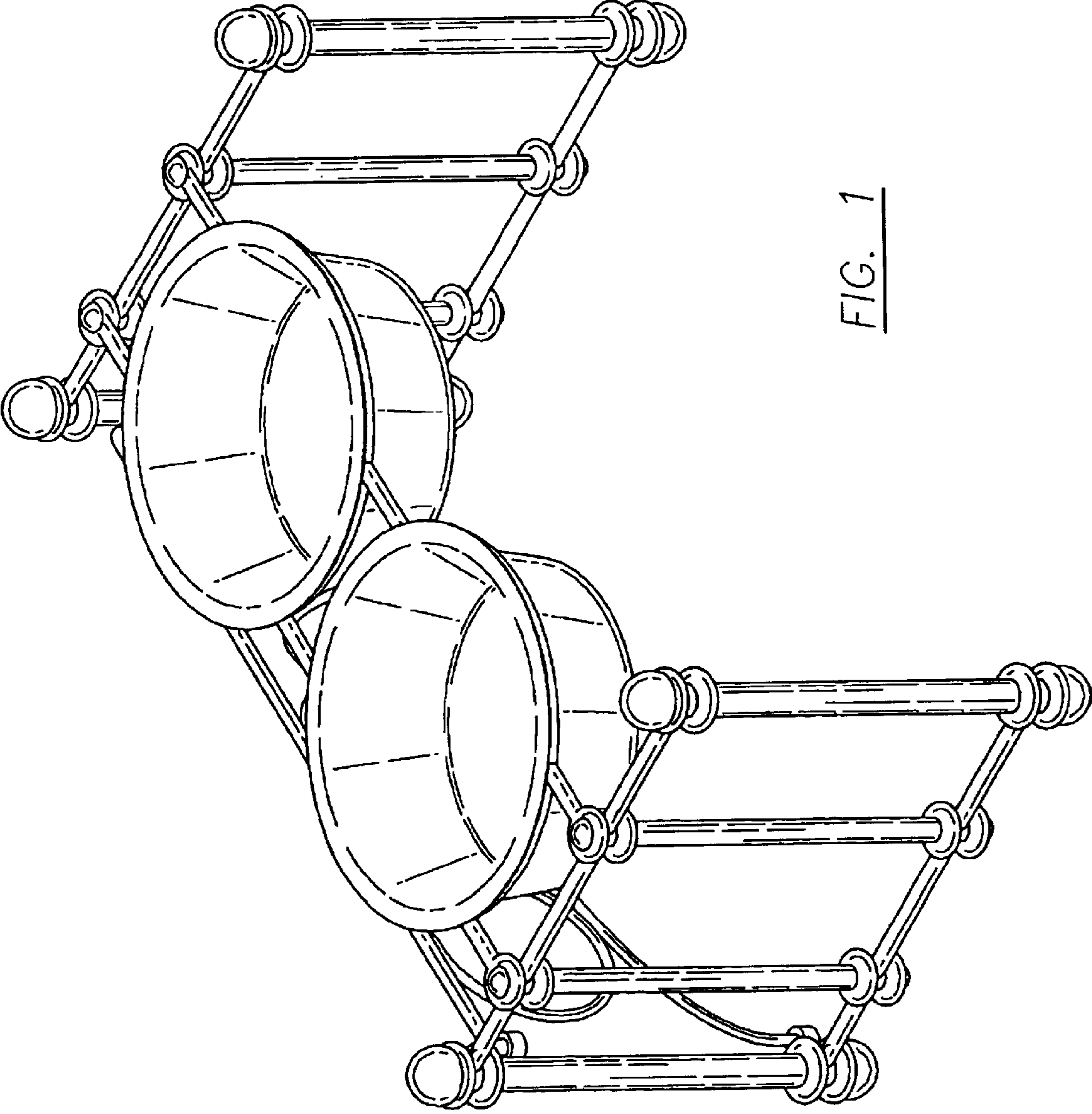


FIG. 1

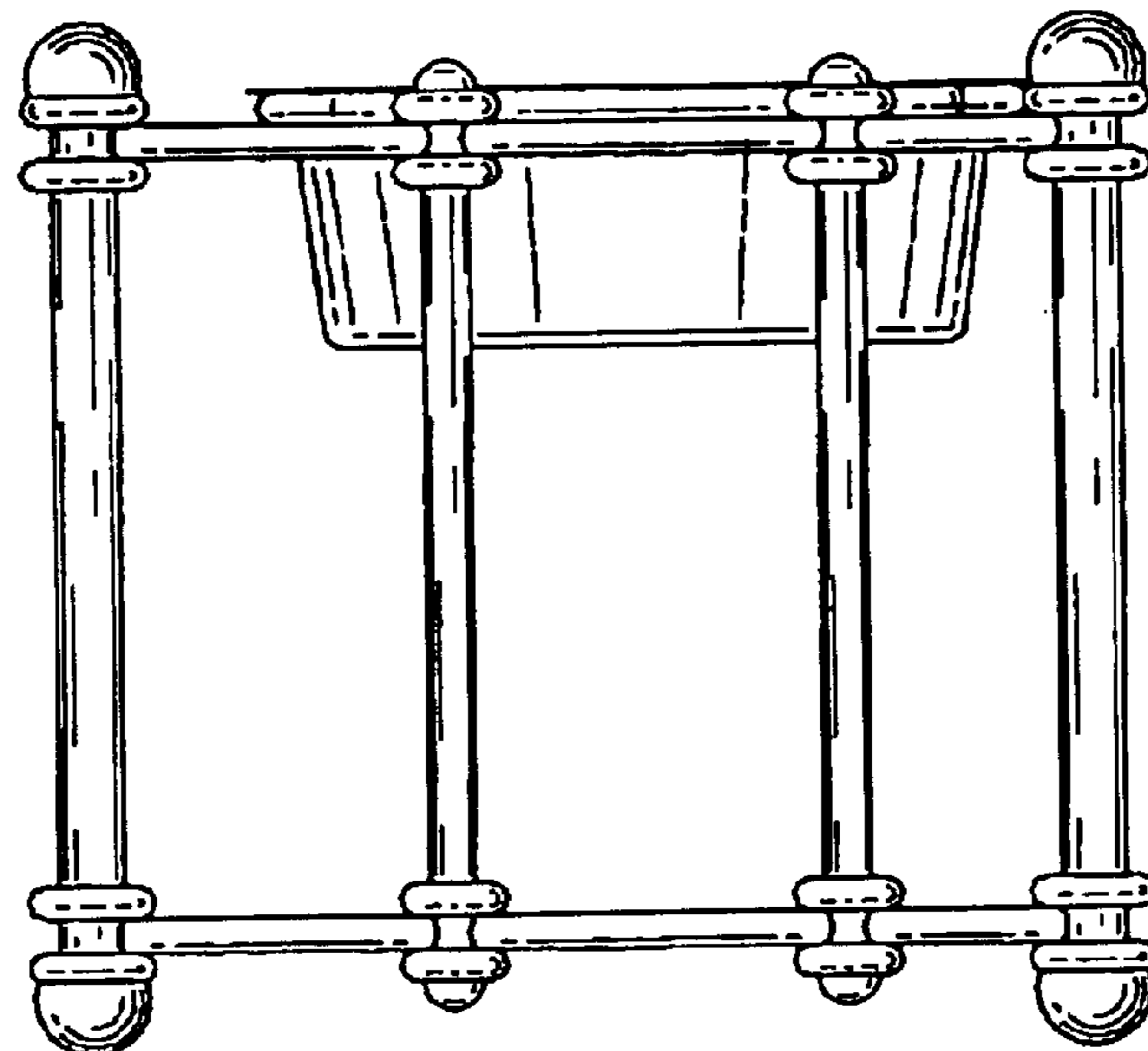
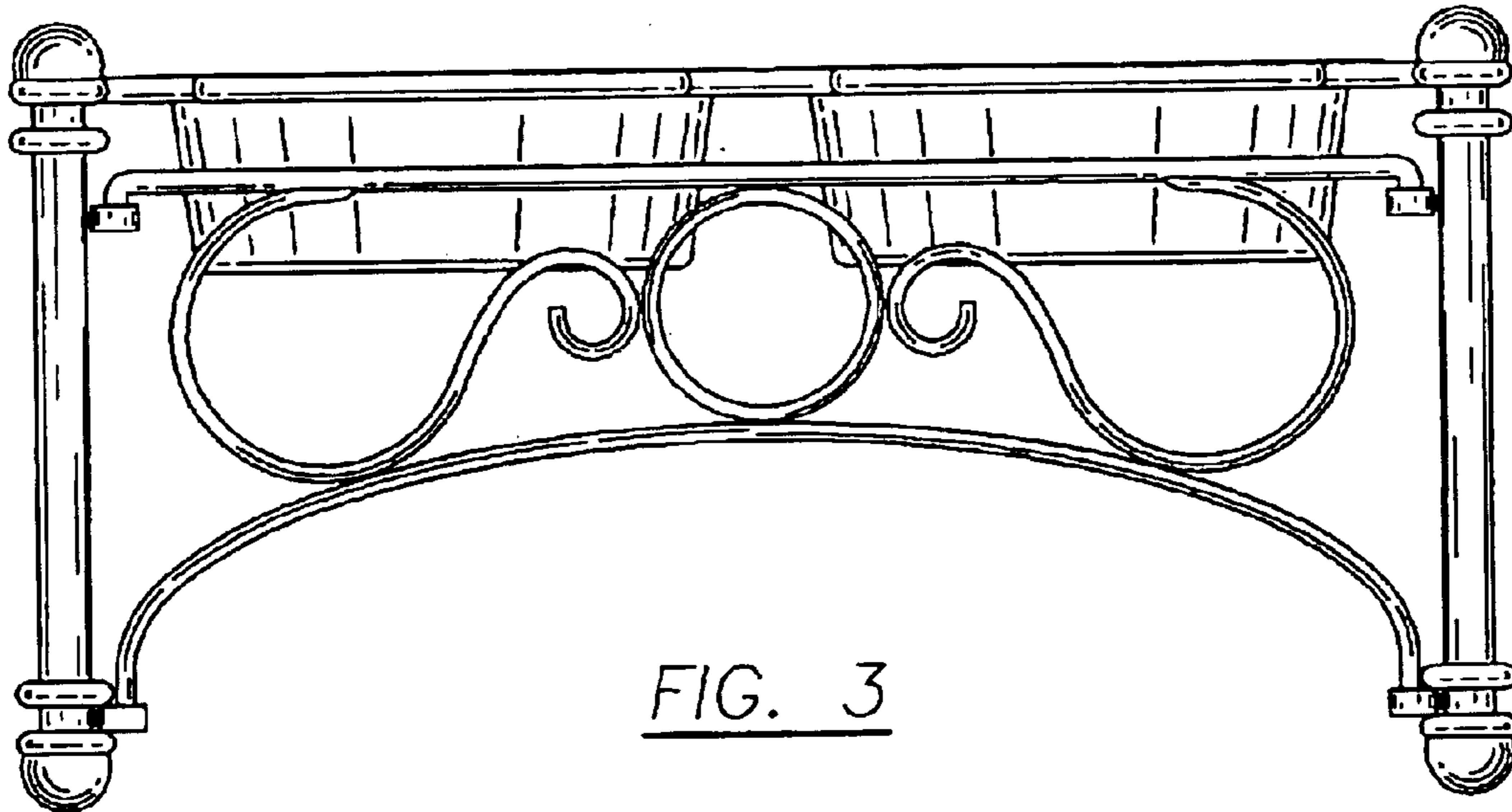
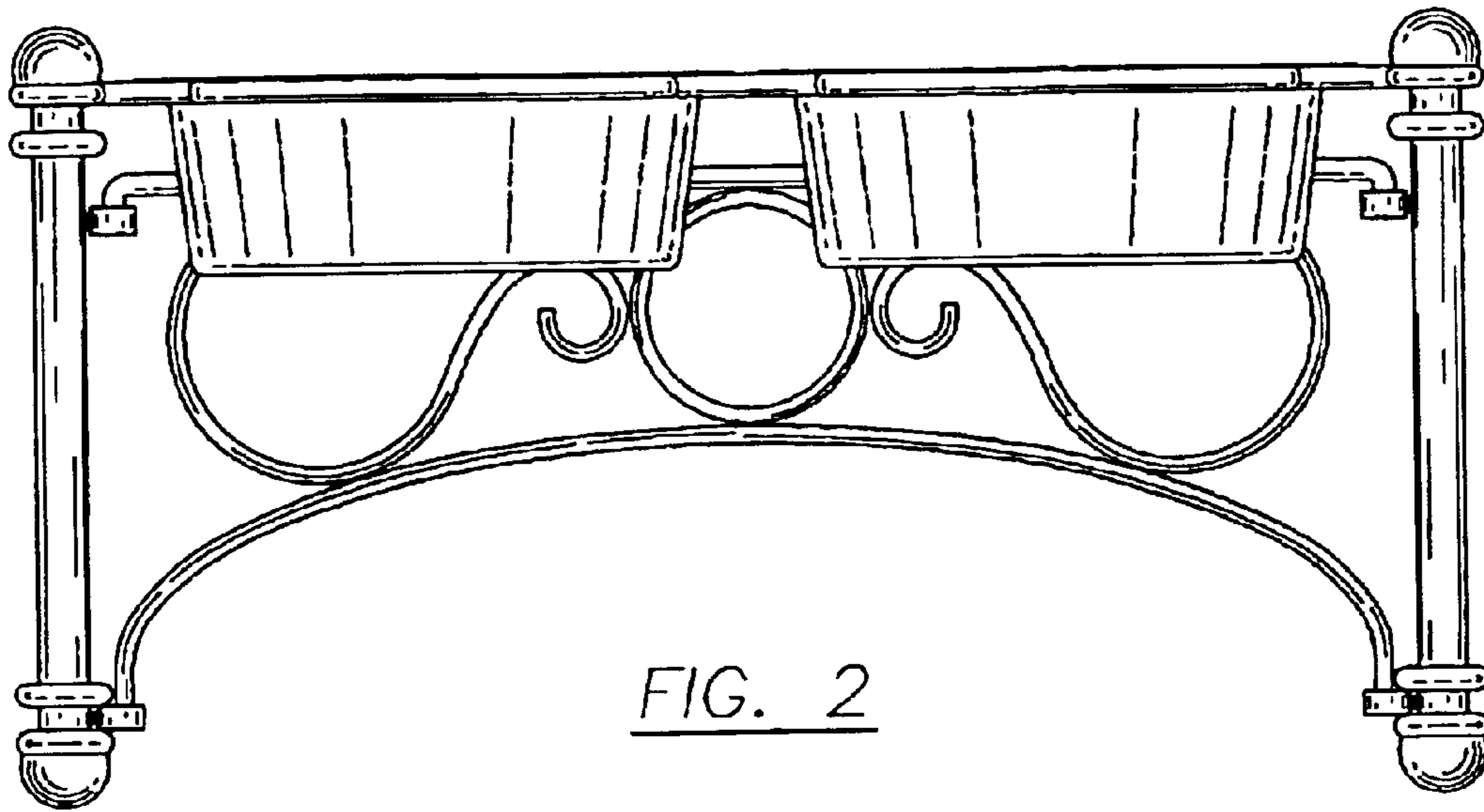


FIG. 4

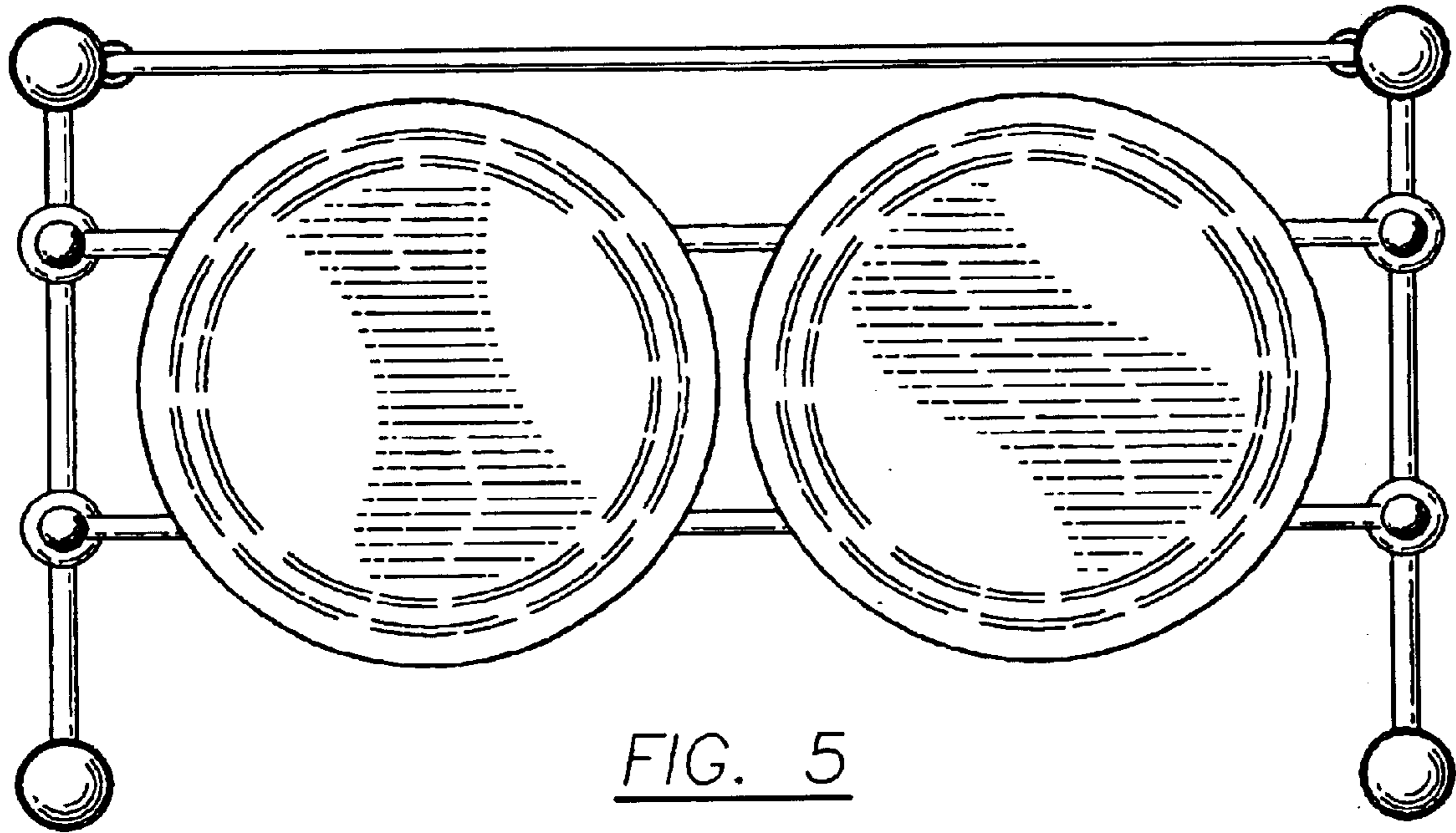


FIG. 5

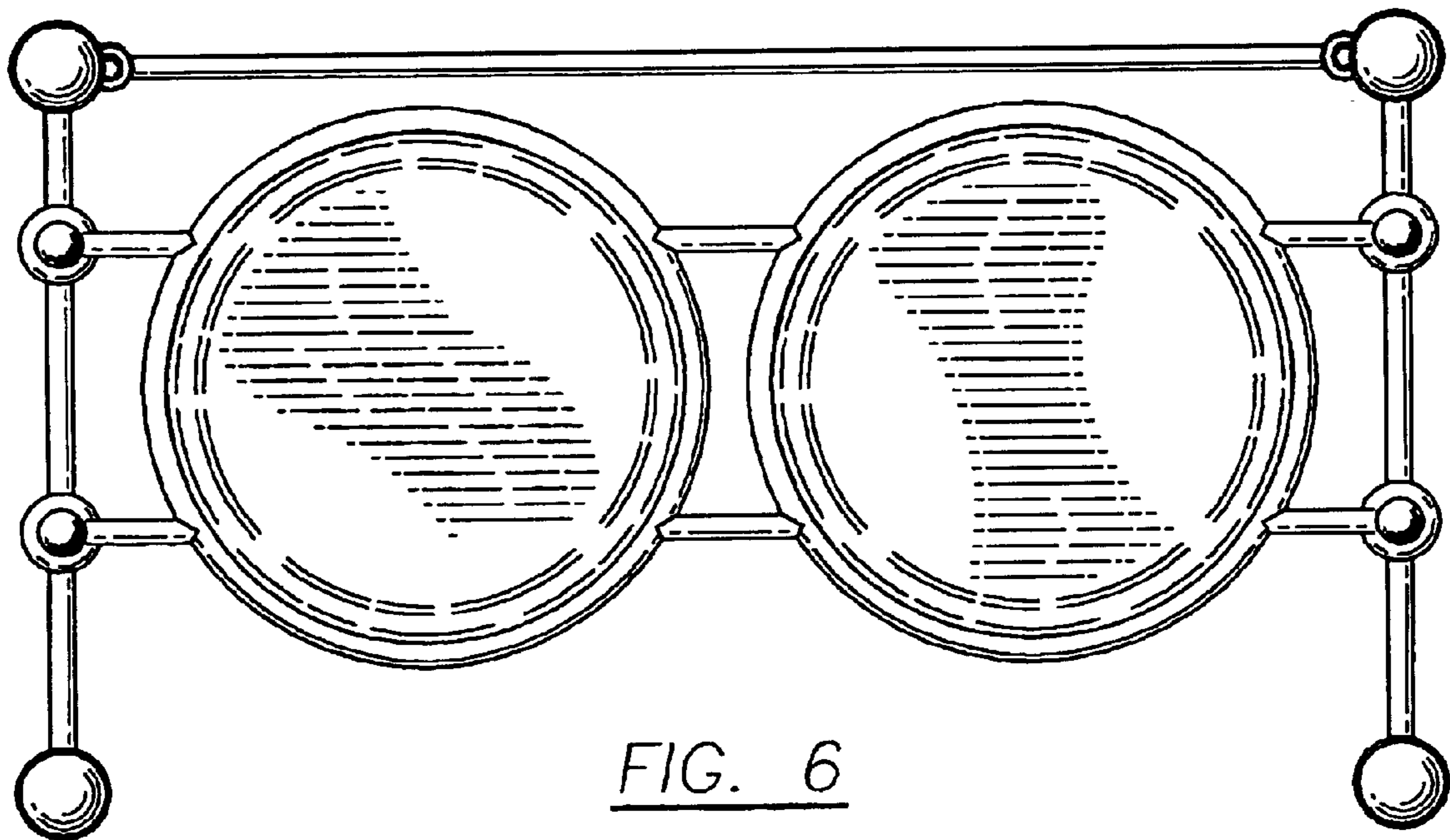


FIG. 6