



US00D494709S1

(12) **United States Design Patent**  
**Boyd**

(10) **Patent No.: US D494,709 S**

(45) **Date of Patent: \*\* Aug. 17, 2004**

(54) **DENTIFRICE**

(75) **Inventor: Thomas J. Boyd, Metuchen, NJ (US)**

(73) **Assignee: Colgate-Palmolive Company, New York, NY (US)**

(\*\*) **Term: 14 Years**

(21) **Appl. No.: 29/195,277**

(22) **Filed: Dec. 9, 2003**

(51) **LOC (7) Cl. .... 28-02**

(52) **U.S. Cl. .... D28/4; D28/8.1**

(58) **Field of Search .... D28/4, 8.1, 88, D28/90; 424/49, 50, 52, 53, 54, 58; D1/112, 130**

(56) **References Cited**

**U.S. PATENT DOCUMENTS**

3,944,661 A	3/1976	Colodney et al. ....	424/49
4,003,971 A	1/1977	Mannara .....	264/9
4,069,311 A	1/1978	Mannara .....	424/49
4,069,312 A	1/1978	Mannara .....	424/49
D277,611 S	* 2/1985	Sanabria .....	D28/8.1
4,663,152 A	* 5/1987	Barth et al. ....	424/49
4,849,212 A	7/1989	Glandorf et al. ....	424/52

D304,382 S	* 10/1989	Mohrle .....	D28/8.1
5,993,784 A	* 11/1999	Hill .....	424/49
D420,463 S	2/2000	Mandadi et al. ....	D28/4
6,126,923 A	* 10/2000	Burke et al. ....	424/49
6,139,820 A	* 10/2000	Fischer et al. ....	424/52
6,592,852 B1	7/2003	Ryles et al. ....	424/49

\* cited by examiner

*Primary Examiner*—Jennifer Rivard

(74) *Attorney, Agent, or Firm*—Clifford Wilkins

(57) **CLAIM**

The ornamental design for a dentifrice, as shown and described.

**DESCRIPTION**

The dentifrice is at least partially transparent with suspended hexagonal shaped pieces.

FIG. 1 is a perspective view of a segment of the dentifrice of my design;

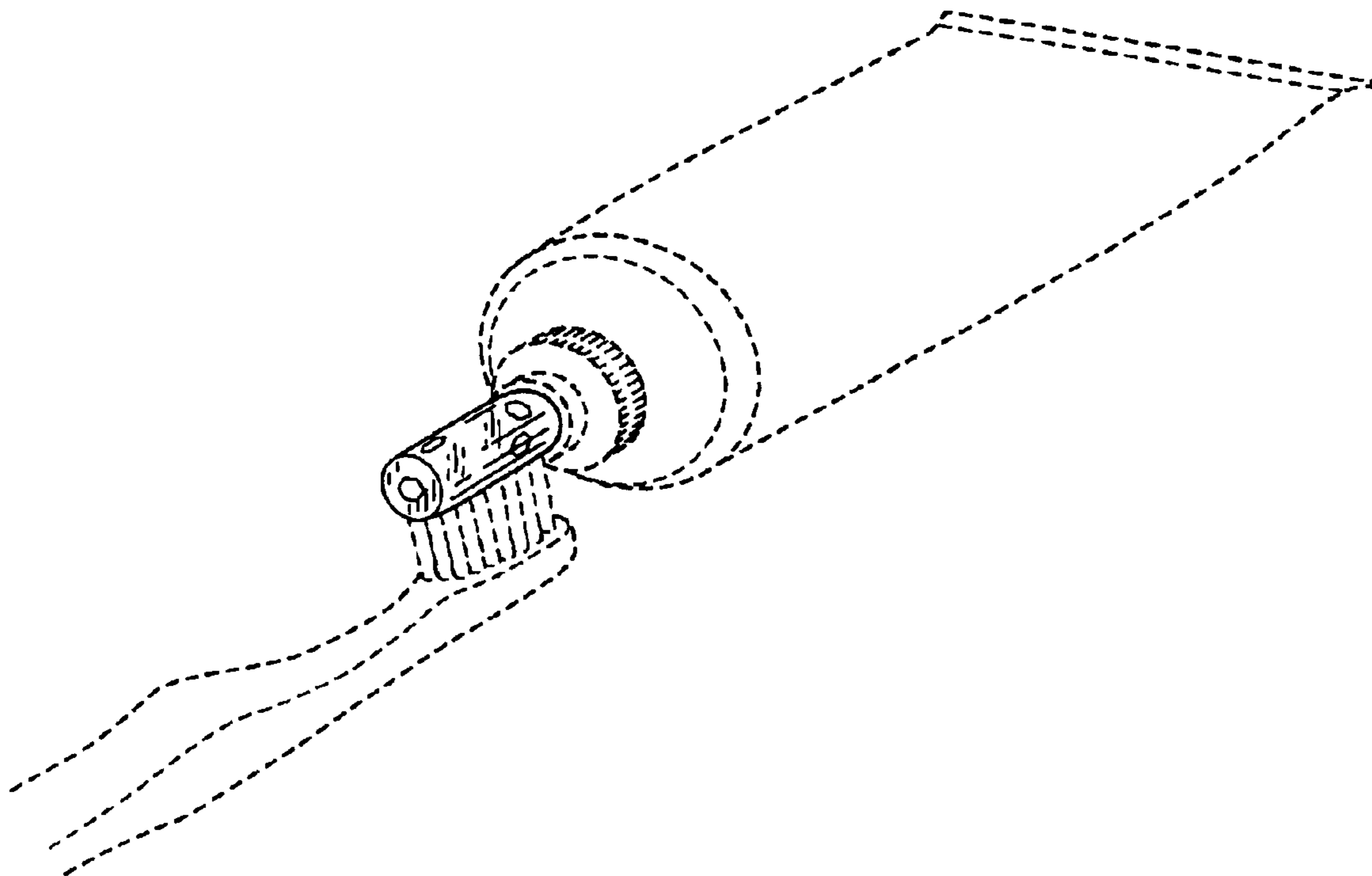
FIG. 2 is a side elevation view thereof.

FIG. 3 is a end elevation view thereof; and,

FIG. 4 is a top plan view thereof.

The broken line showing of a toothbrush and tube are for illustrative purposes only and form no part of the claimed design.

**1 Claim, 1 Drawing Sheet**



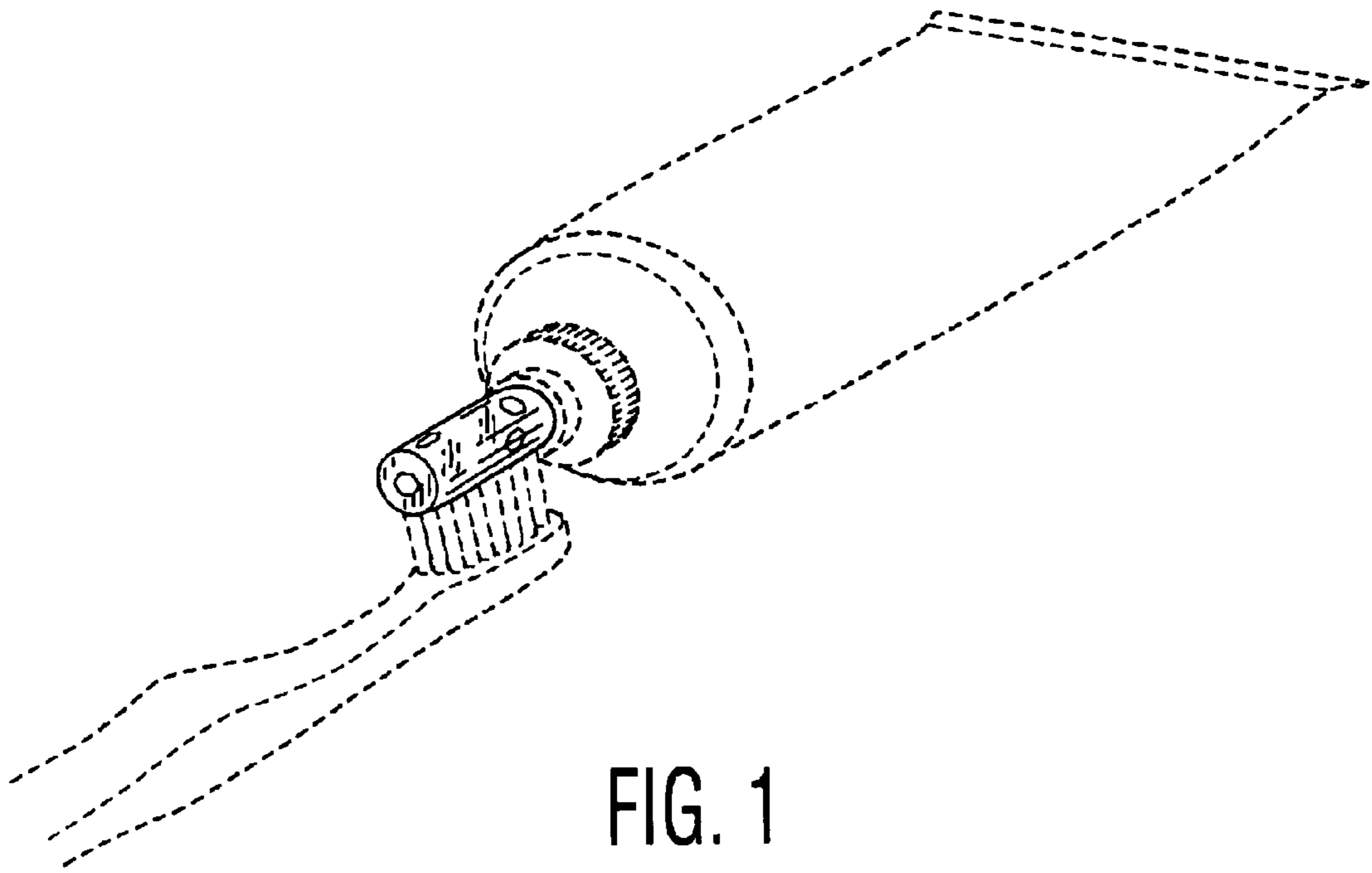


FIG. 1

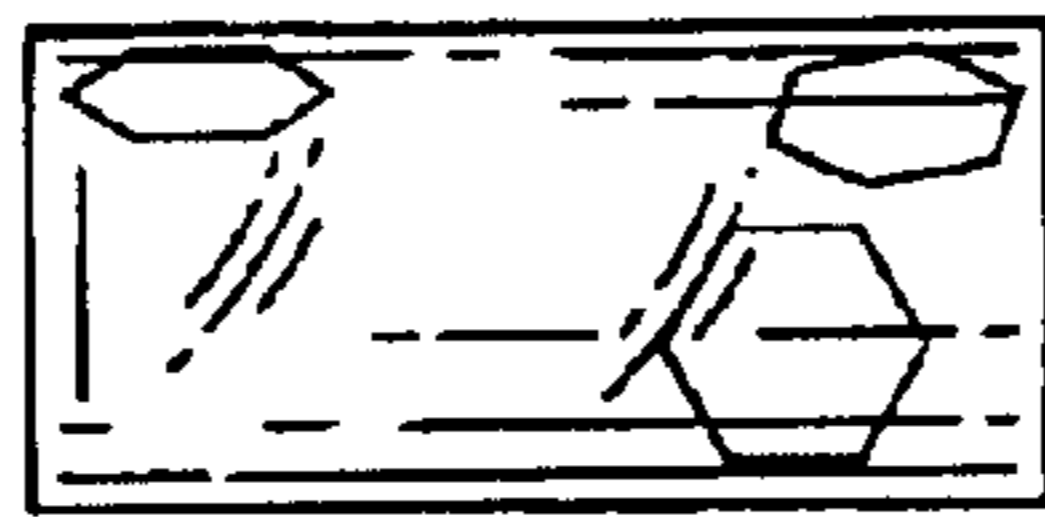


FIG. 2



FIG. 3

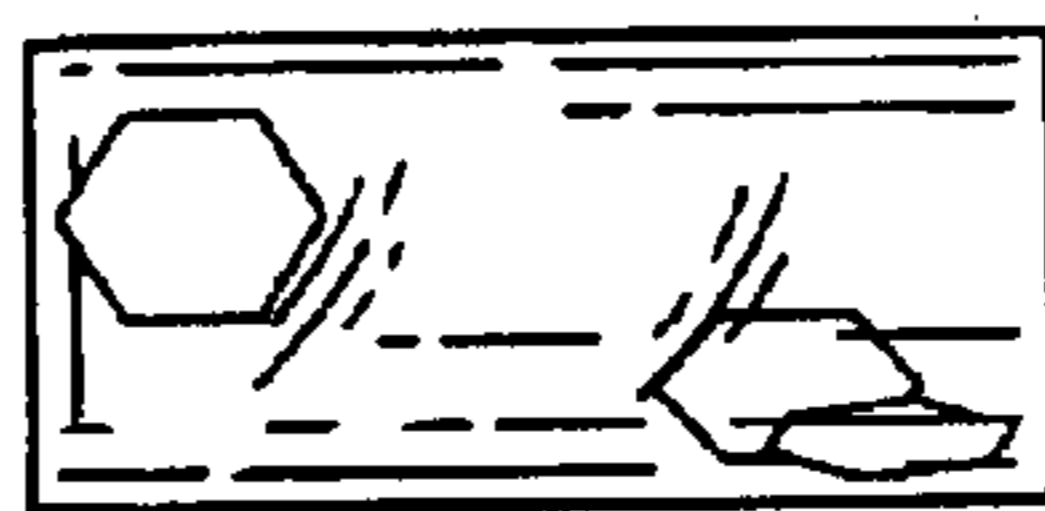


FIG. 4