

US00D494706S1

(12) **United States Design Patent**  
**Tsai**

(10) **Patent No.:** **US D494,706 S**

(45) **Date of Patent:** **\*\* Aug. 17, 2004**

(54) **ORNAMENTAL FRAME FOR A VEHICLE HEADLIGHT**

D487,819 S \* 3/2004 Tsai ..... D26/139

\* cited by examiner

(76) **Inventor:** **Ping-Chung Tsai**, No. 111, Lane 98,  
Sanshu Rd., Sanhsia Chen, Taipei Hsien  
(TW)

*Primary Examiner*—Marcus A. Jackson

(74) *Attorney, Agent, or Firm*—Dellett & Walters

(\*\*) **Term:** **14 Years**

(57) **CLAIM**

The ornamental design for an ornamental frame for a vehicle headlight, as shown.

(21) **Appl. No.:** **29/194,614**

(22) **Filed:** **Nov. 26, 2003**

**DESCRIPTION**

(51) **LOC (7) Cl.** ..... **26-99**

(52) **U.S. Cl.** ..... **D26/139**

(58) **Field of Search** ..... D26/28-36, 120,  
D26/121, 139; 362/61, 80, 80.1, 82, 83,  
83.4, 325, 354, 376

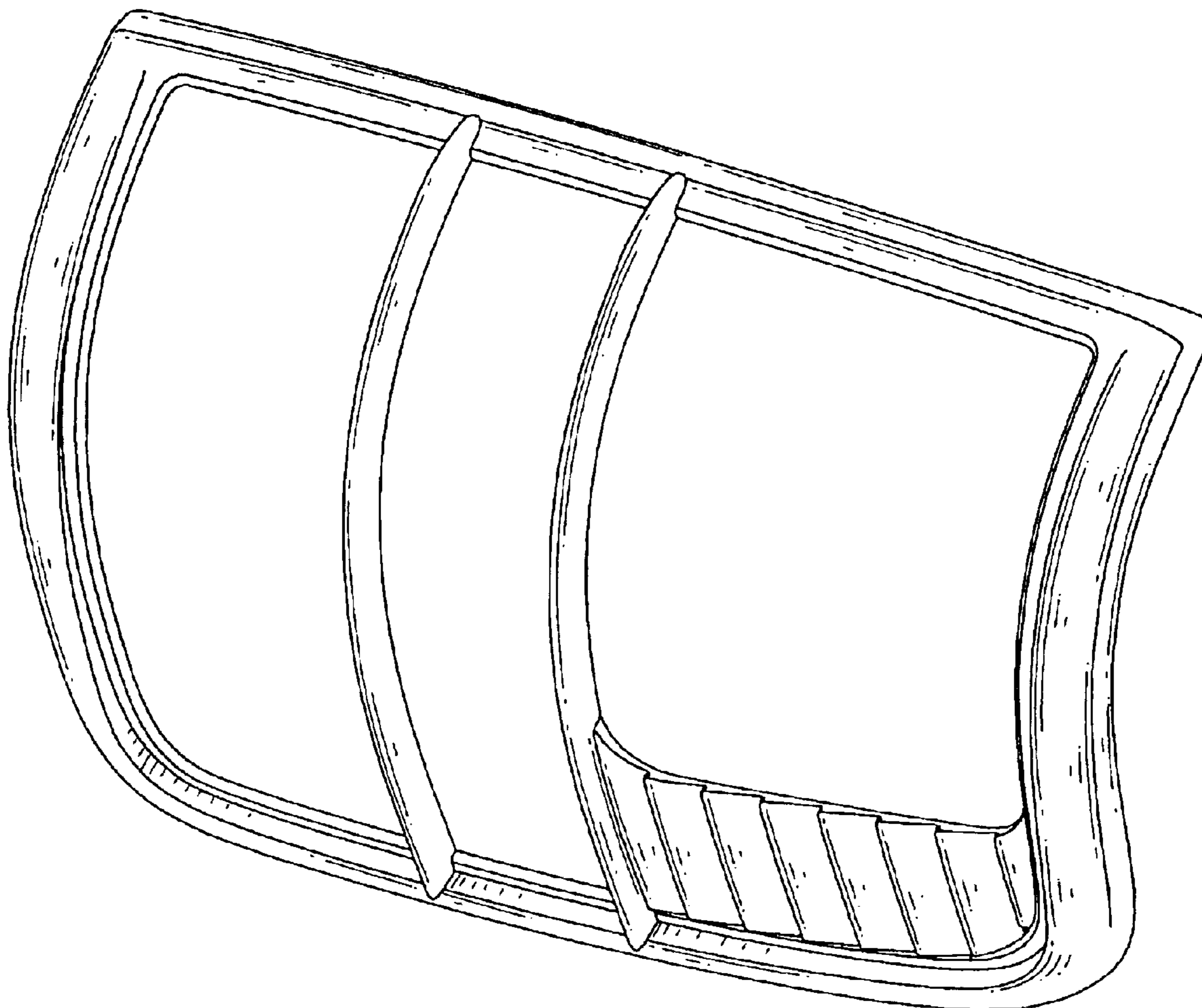
FIG. 1 is a perspective view of an ornamental frame for a vehicle headlight, showing my new design; FIG. 2 is a front elevational view thereof; FIG. 3 is a rear elevational view thereof; FIG. 4 is a left elevational view thereof; FIG. 5 is a right elevational view thereof; FIG. 6 is a top plan view thereof; and, FIG. 7 is a bottom plan view thereof.

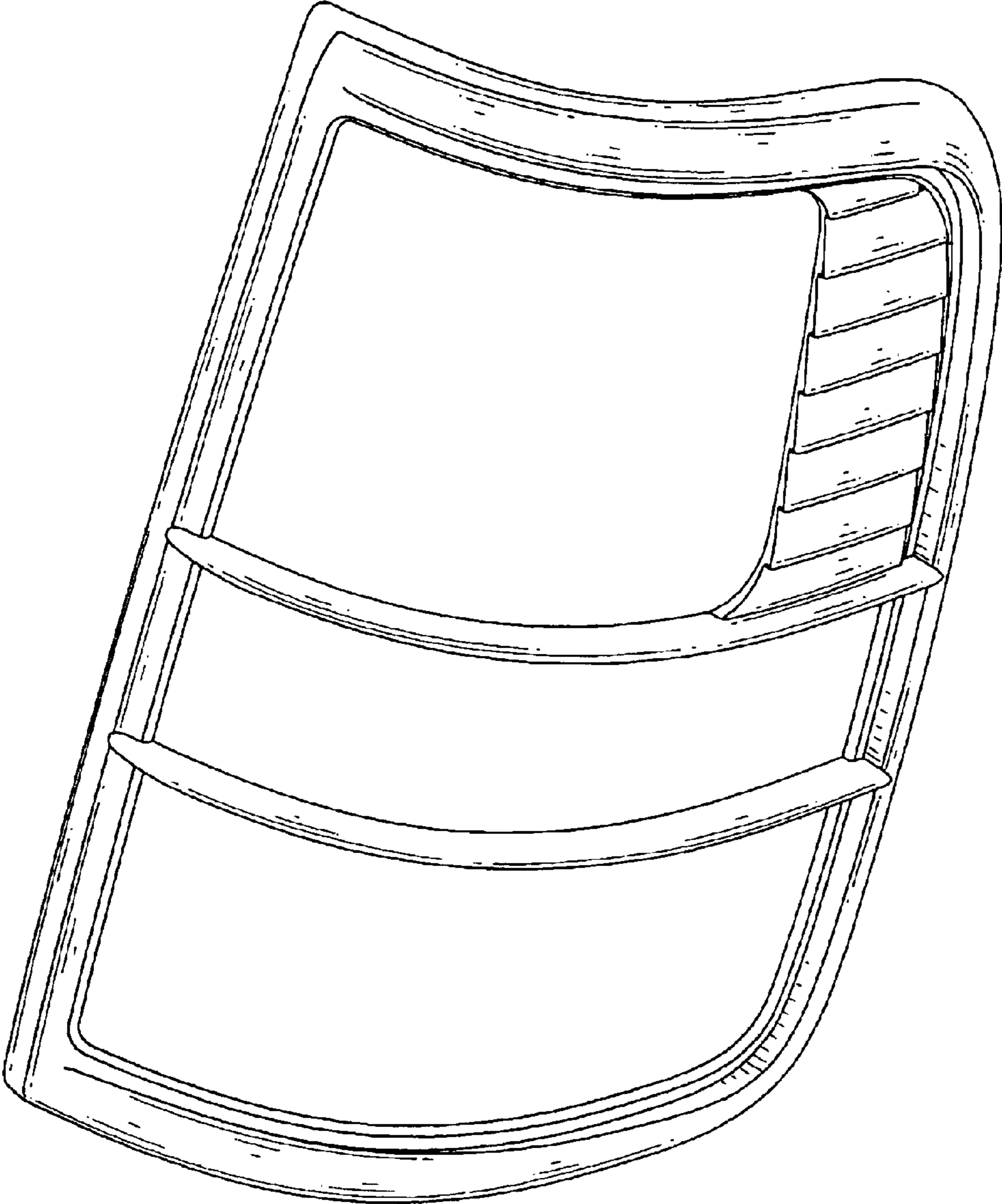
(56) **References Cited**

**U.S. PATENT DOCUMENTS**

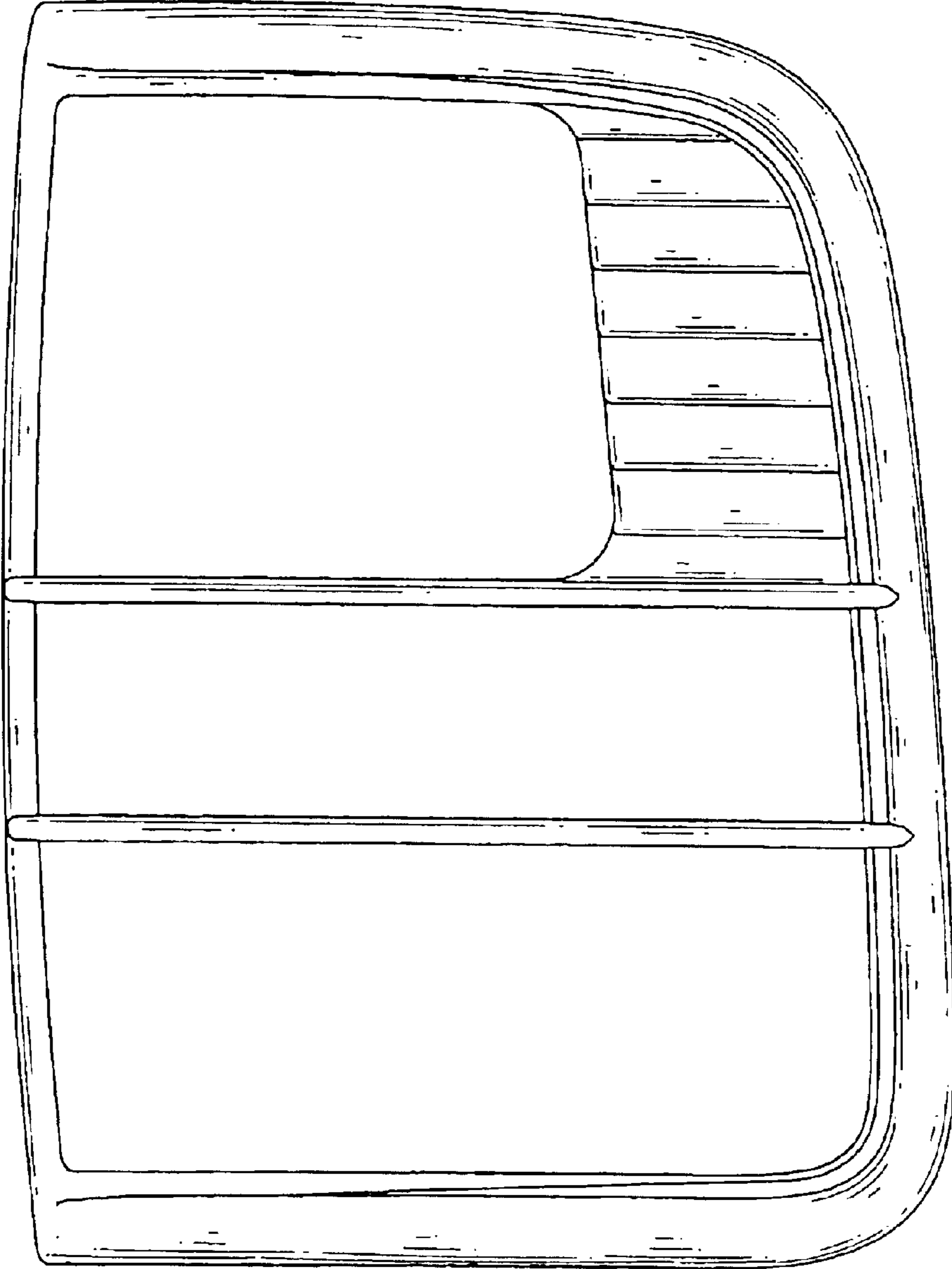
D485,936 S \* 1/2004 Tsai ..... D26/139

**1 Claim, 5 Drawing Sheets**

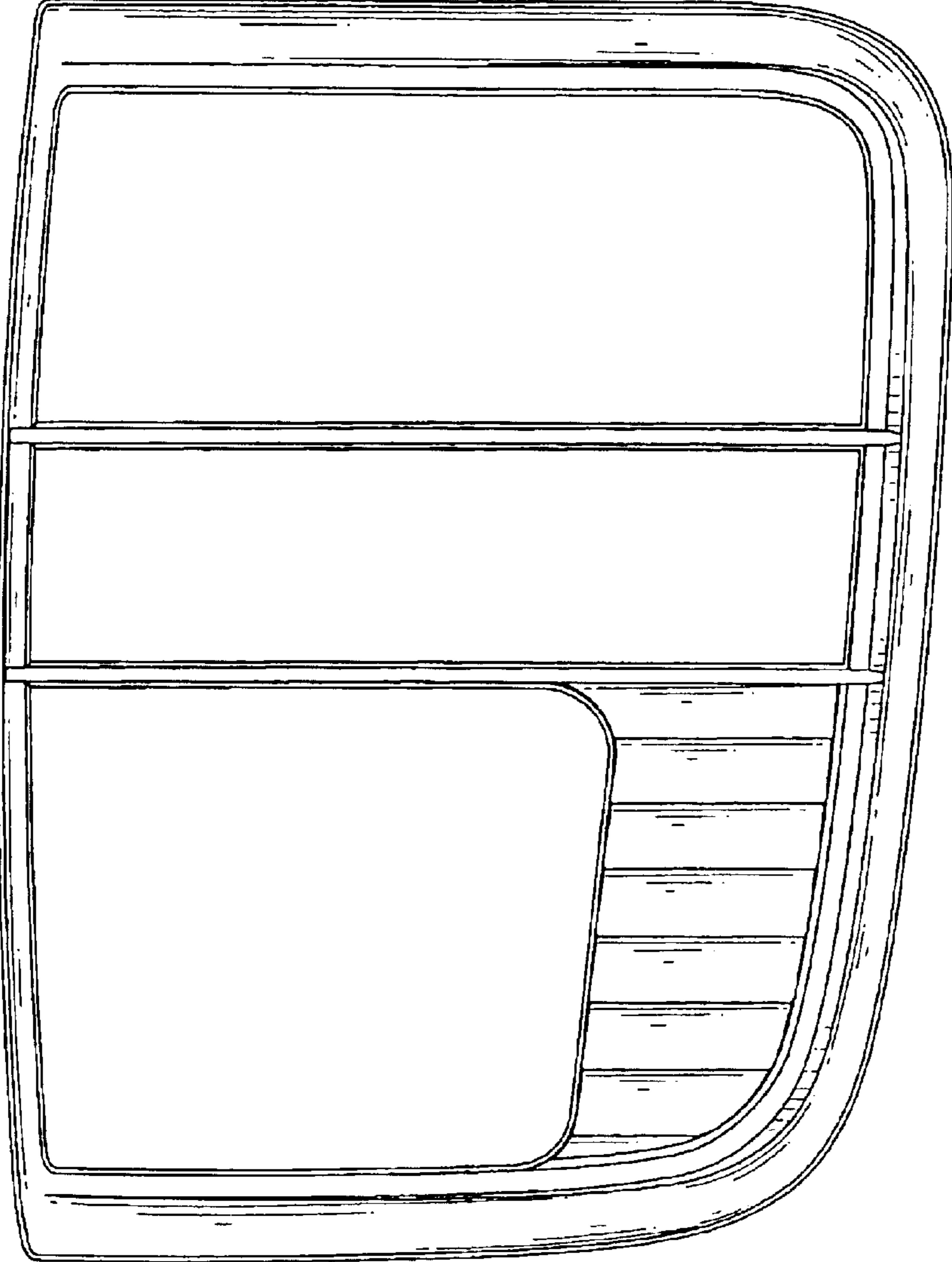




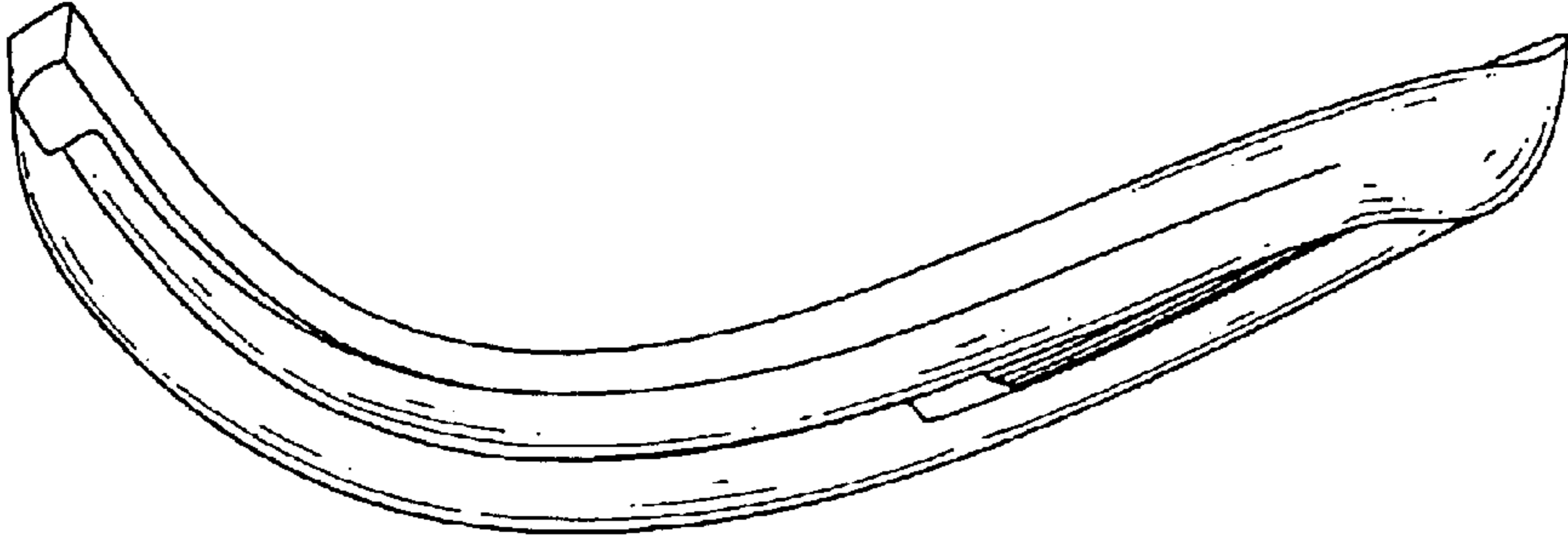
**FIG.1**



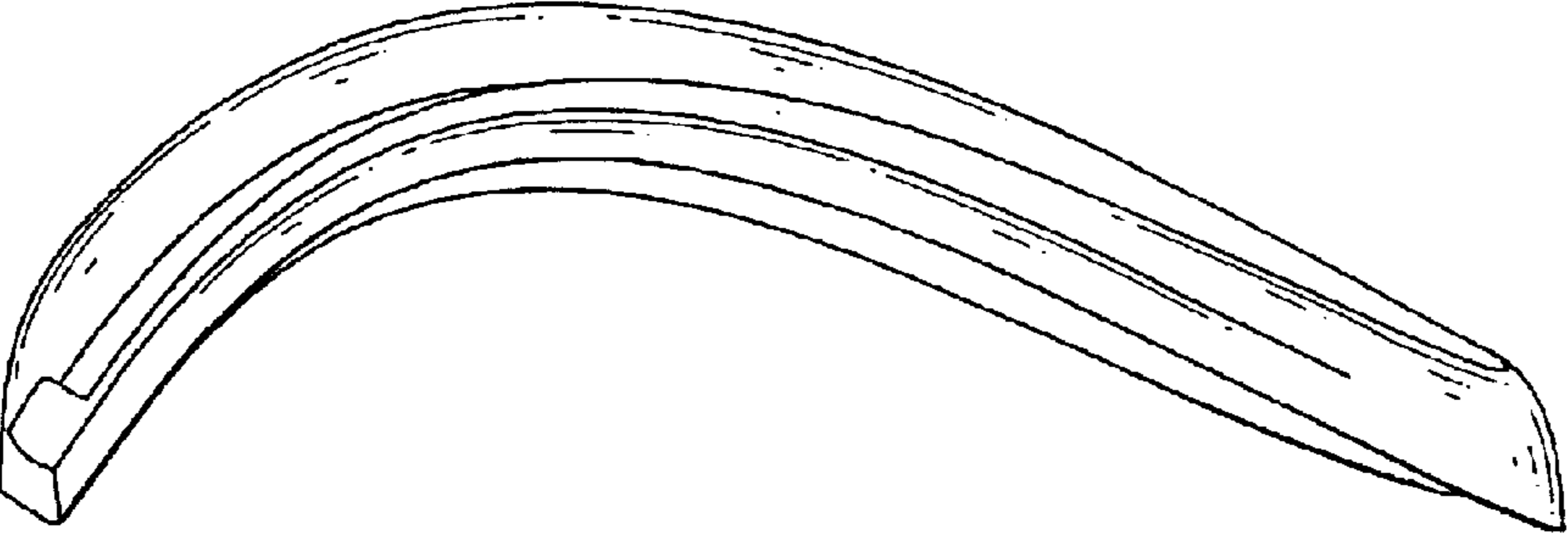
**FIG.2**



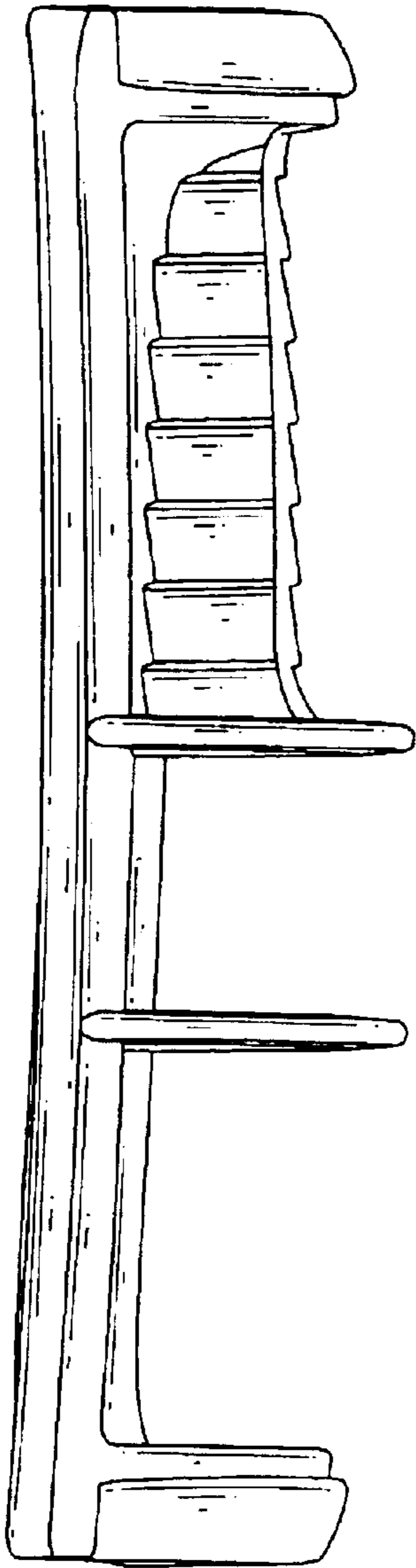
**FIG.3**



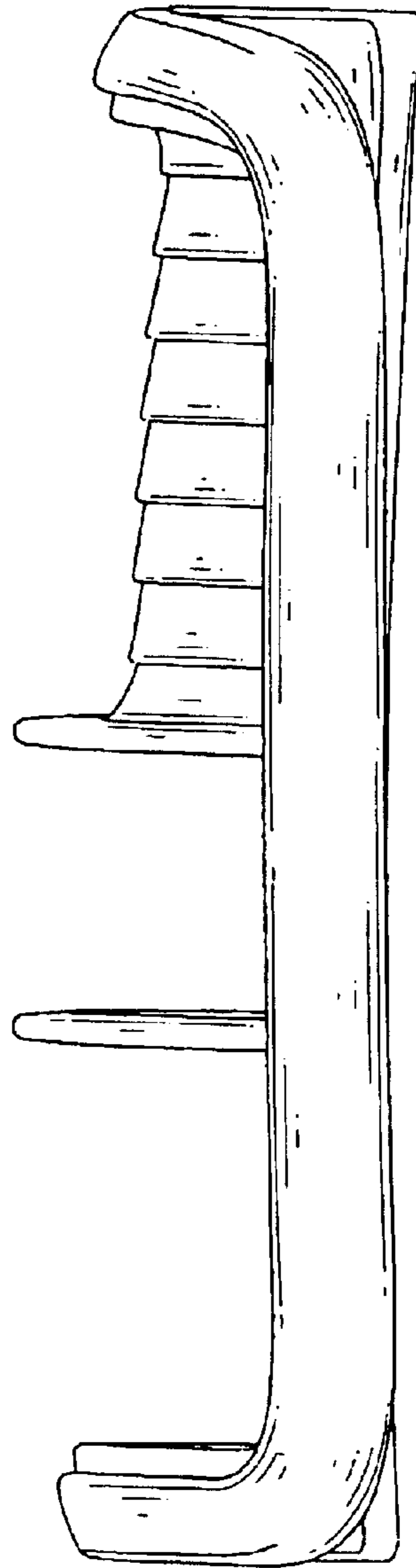
**FIG.5**



**FIG.4**



**FIG. 6**



**FIG. 7**