

US00D494705S1

(12) **United States Design Patent**  
**Tai**

(10) **Patent No.:** **US D494,705 S**

(45) **Date of Patent:** **\*\* Aug. 17, 2004**

(54) **CEILING FAN LIGHT FIXTURE**

(76) **Inventor:** **Jen-Lung David Tai**, 19507 N. 65<sup>th</sup>  
Ave., Glendale, AZ (US) 85308

(\*\*) **Term:** **14 Years**

(21) **Appl. No.:** **29/192,077**

(22) **Filed:** **Oct. 17, 2003**

(51) **LOC (7) Cl.** ..... **26-99**

(52) **U.S. Cl.** ..... **D26/128**

(58) **Field of Search** ..... D26/118, 128-137,  
D26/123; 362/351, 355, 356, 357, 359,  
360, 361, 363

(56) **References Cited**

**U.S. PATENT DOCUMENTS**

D89,851 S \* 5/1933 Metz ..... D26/131  
D225,371 S \* 12/1972 Schafer ..... D26/123

**OTHER PUBLICATIONS**

Item 81630, 1997, Angelo Brothers Co., p. 266.\*  
Item 178/250-300 Opale Griffe, Oct. 1995, Vianne Catalog,  
p. 8.\*

\* cited by examiner

*Primary Examiner*—Jennifer Rivard

(74) *Attorney, Agent, or Firm*—Parsons & Goltry; Michael  
W. Goltry; Robert A. Parsons

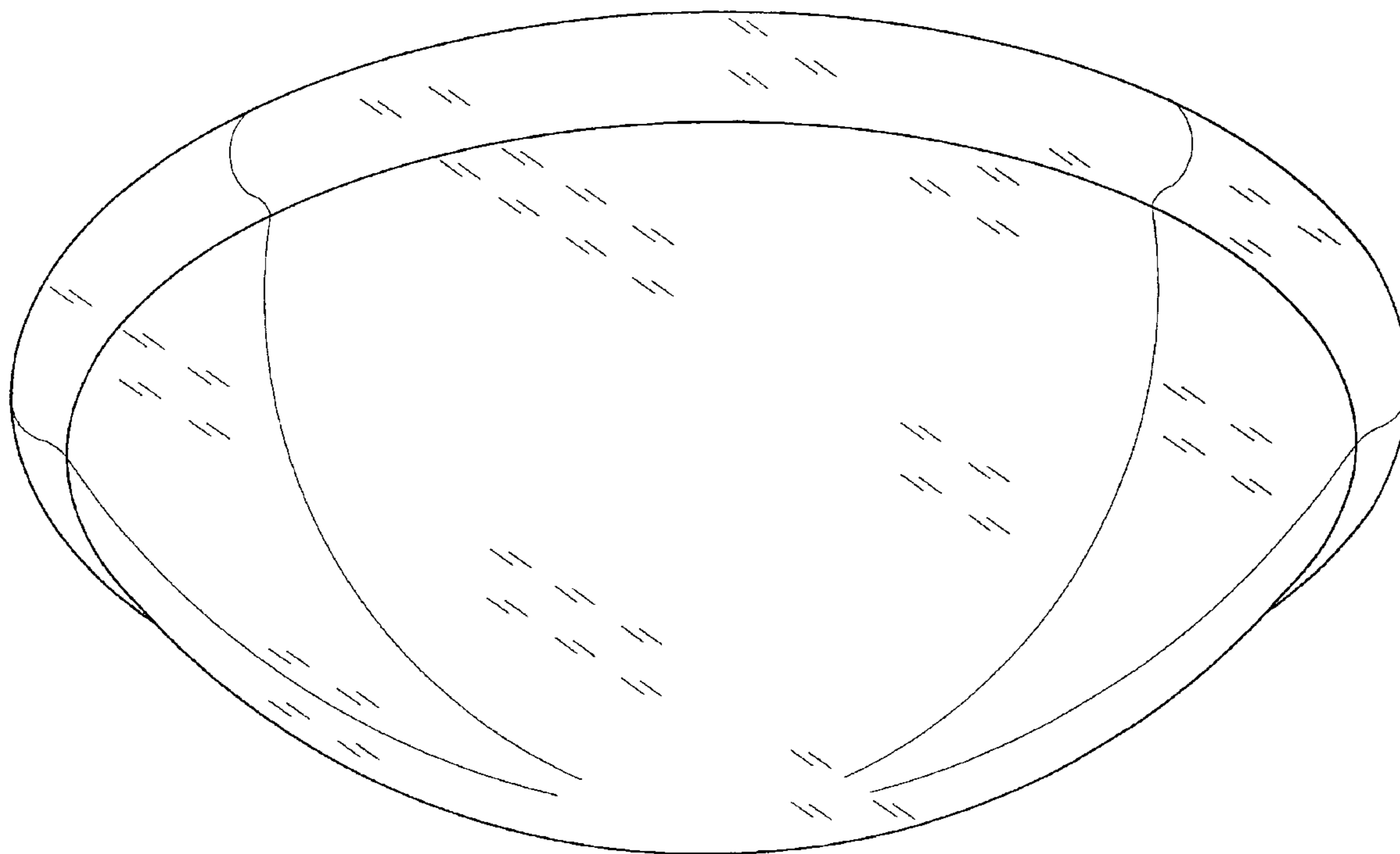
(57) **CLAIM**

The ornamental design for a ceiling fan light fixture, as  
shown and described.

**DESCRIPTION**

FIG. 1 is a bottom perspective view of a ceiling fan light  
fixture showing my new design;  
FIG. 2 is top perspective view thereof; and,  
FIG. 3 is a front elevational view thereof, the rear and side  
elevational views being a mirror image thereof.

**1 Claim, 3 Drawing Sheets**



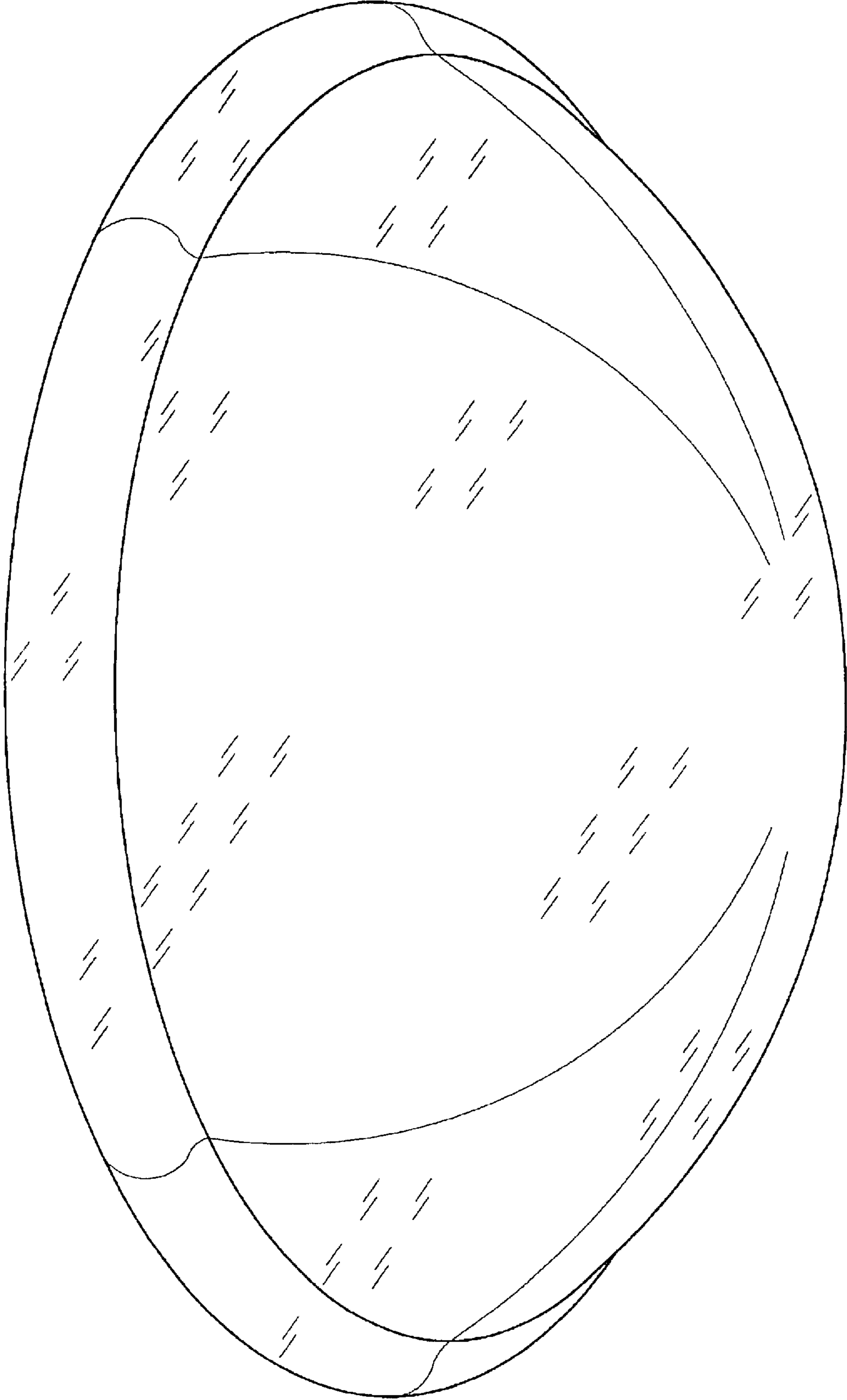


FIG. 1

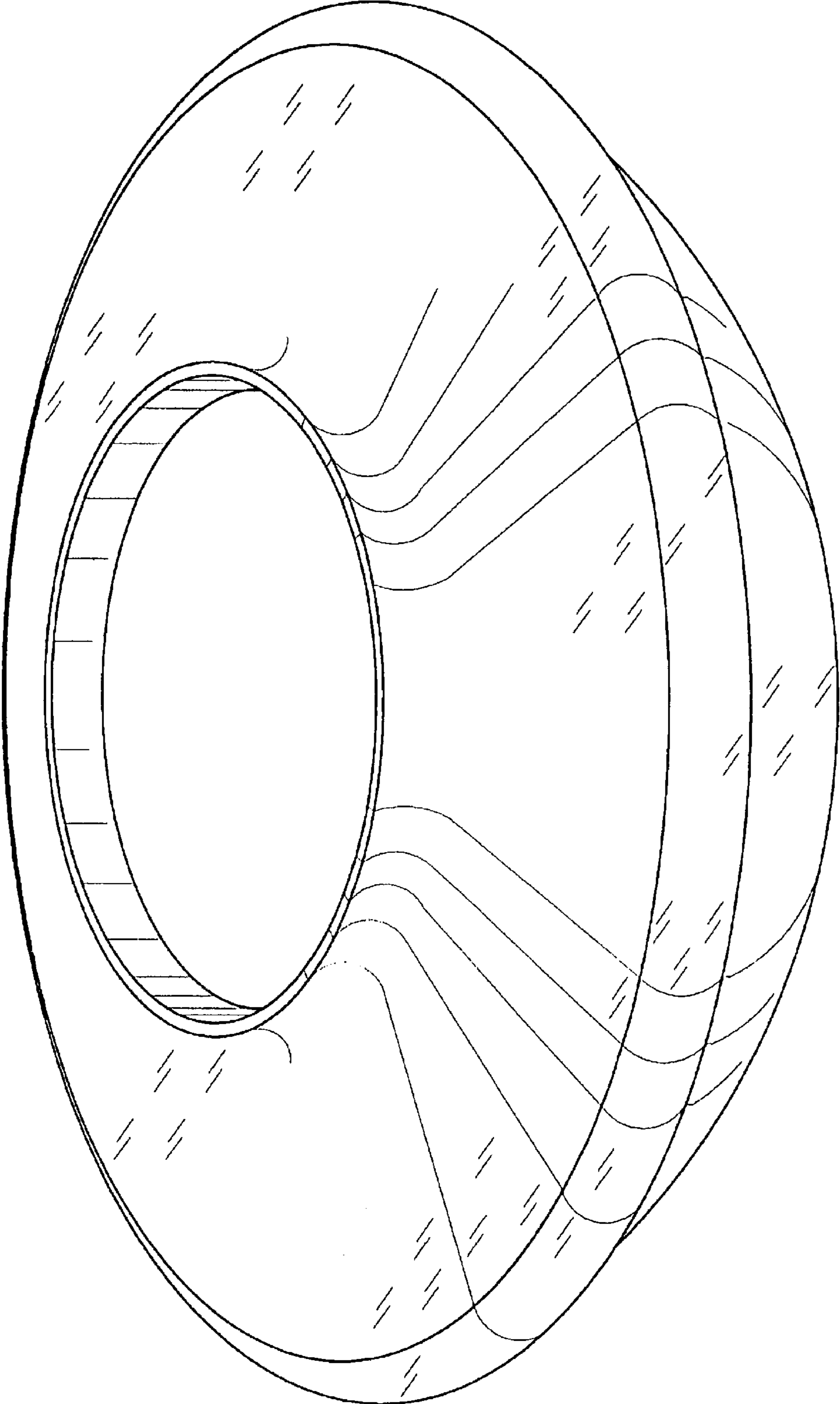


FIG. 2

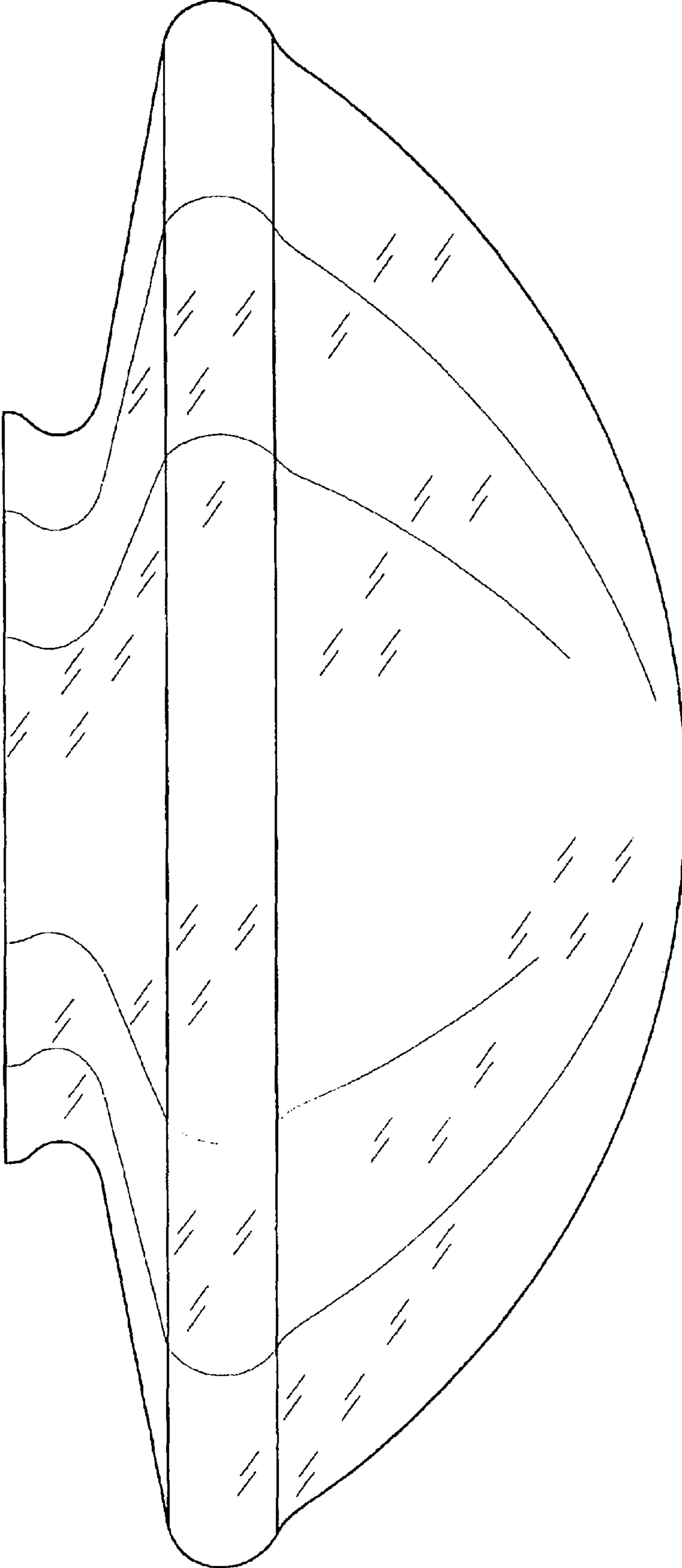


FIG. 3