

US00D494702S1

(12) **United States Design Patent**
Parres

(10) **Patent No.:** **US D494,702 S**
(45) **Date of Patent:** **** Aug. 17, 2004**

(54) **LIGHTING FIXTURE**

(75) Inventor: **Miguel Parres**, Alta Loma, CA (US)

(73) Assignee: **Minka Lighting, Inc.**, Corona, CA (US)

(**) Term: **14 Years**

(21) Appl. No.: **29/191,034**

(22) Filed: **Sep. 29, 2003**

(51) **LOC (7) Cl.** **26-03**

(52) **U.S. Cl.** **D26/85; D26/88**

(58) **Field of Search** D26/24, 27, 59,
D26/72, 79, 128, 131; 362/147, 404-408,
432

(56) **References Cited**

U.S. PATENT DOCUMENTS

D87,964 S * 10/1932 Howell D26/88

OTHER PUBLICATIONS

Progress Lighting Product Catalog 124 (c)2000; item P5012-09 on p. 164.*

Crystorama, Inc. "Reflections Of Elegance" Catalog (c)1988. item 3930 on p. 3.*

Thomas Lighting 1996 Catalog, item M2531-7 on p. 102.*

Frederick Ramond 1991 catalog. Item 306 on p. 47.*

U.S. patent application Ser. No. 29/190,994, Miguel Parres, filed Sep. 29, 2003.

U.S. patent application Ser. No. 29/190,988, Miguel Parres, filed Sep. 29, 2003.

U.S. patent application Ser. No. 29/190,993, Miguel Parres, filed Sep. 29, 2003.

Minka Aire Two Thousand Three; p. 297; #74-84, 74-44, 74-66, filed Jan. 2003 Minka Lighting, Inc. USA.

Chandelier 10 Light Incandescent; #2042NI, filed Oct. 2003 Kichler, Inc.

Chandelier 4 Light Incandescent; #2041NI filed Oct. 2003 Kichler, Inc.

Pendant 3 Light Incandescent; #3041BK filed Oct. 2003 Kichler, Inc.

Pendant 1 Light Incandescent; #2640BK filed Oct. 2003 Kichler, Inc.

Pendant 1 Light Incandescent; #2643NI filed Oct. 2003 Kichler, Inc.

* cited by examiner

Primary Examiner—Clare E Heflin

(74) *Attorney, Agent, or Firm*—Jenkins & Gilchrist, P.C.

(57) **CLAIM**

The ornamental design for the lighting fixture, as shown and described.

DESCRIPTION

FIG. 1 is a perspective view from below of a lighting fixture in accordance with my design;

FIG. 2 is a top plan view of the lighting fixture in accordance with my design;

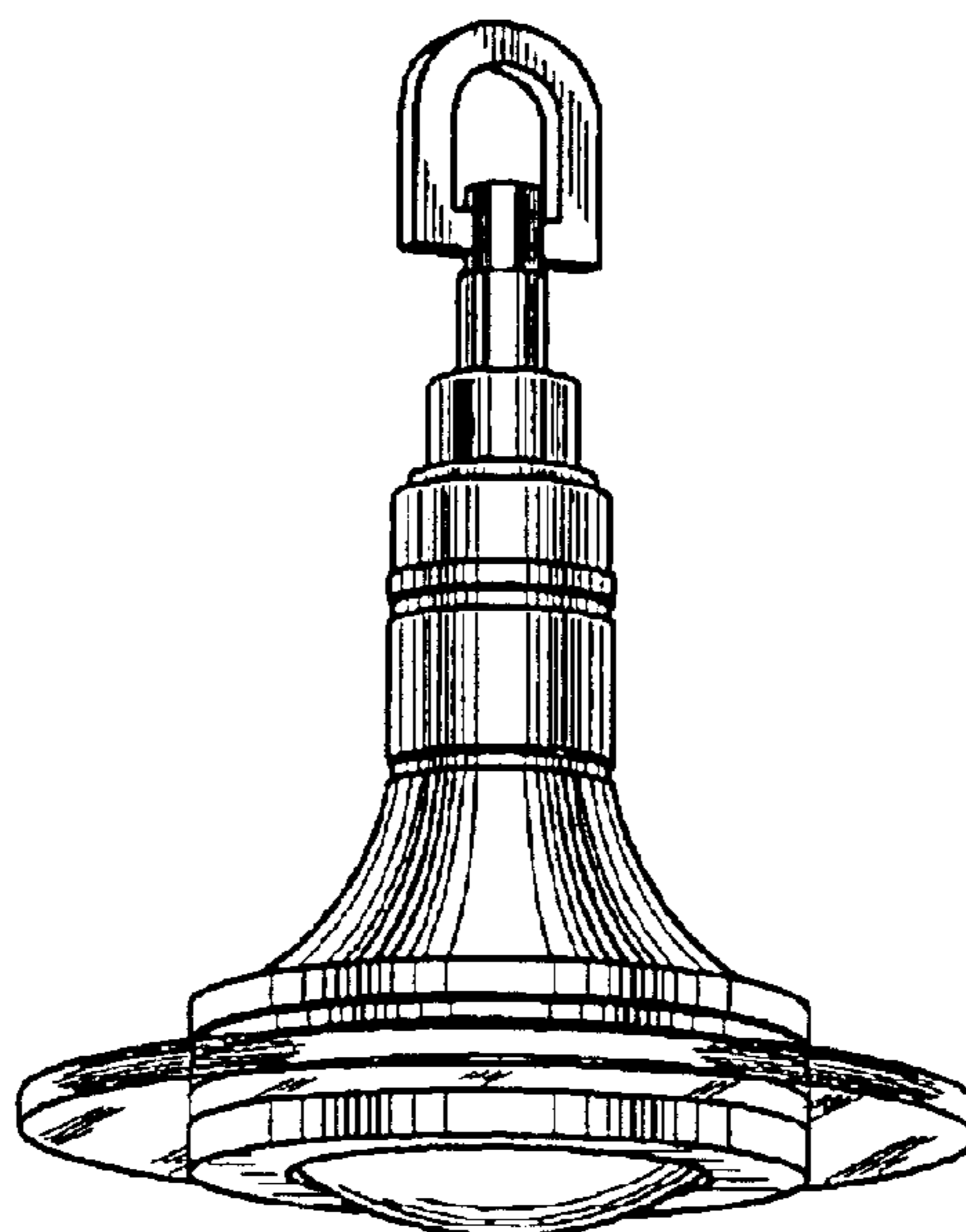
FIG. 3 is a side elevation view of the lighting fixture in accordance with my design;

FIG. 4 is a front elevation view of the lighting fixture in accordance with my design; and,

FIG. 5 is a bottom plan view of the lighting fixture in accordance with my design.

The front and side elevation views are symmetrical.

1 Claim, 1 Drawing Sheet



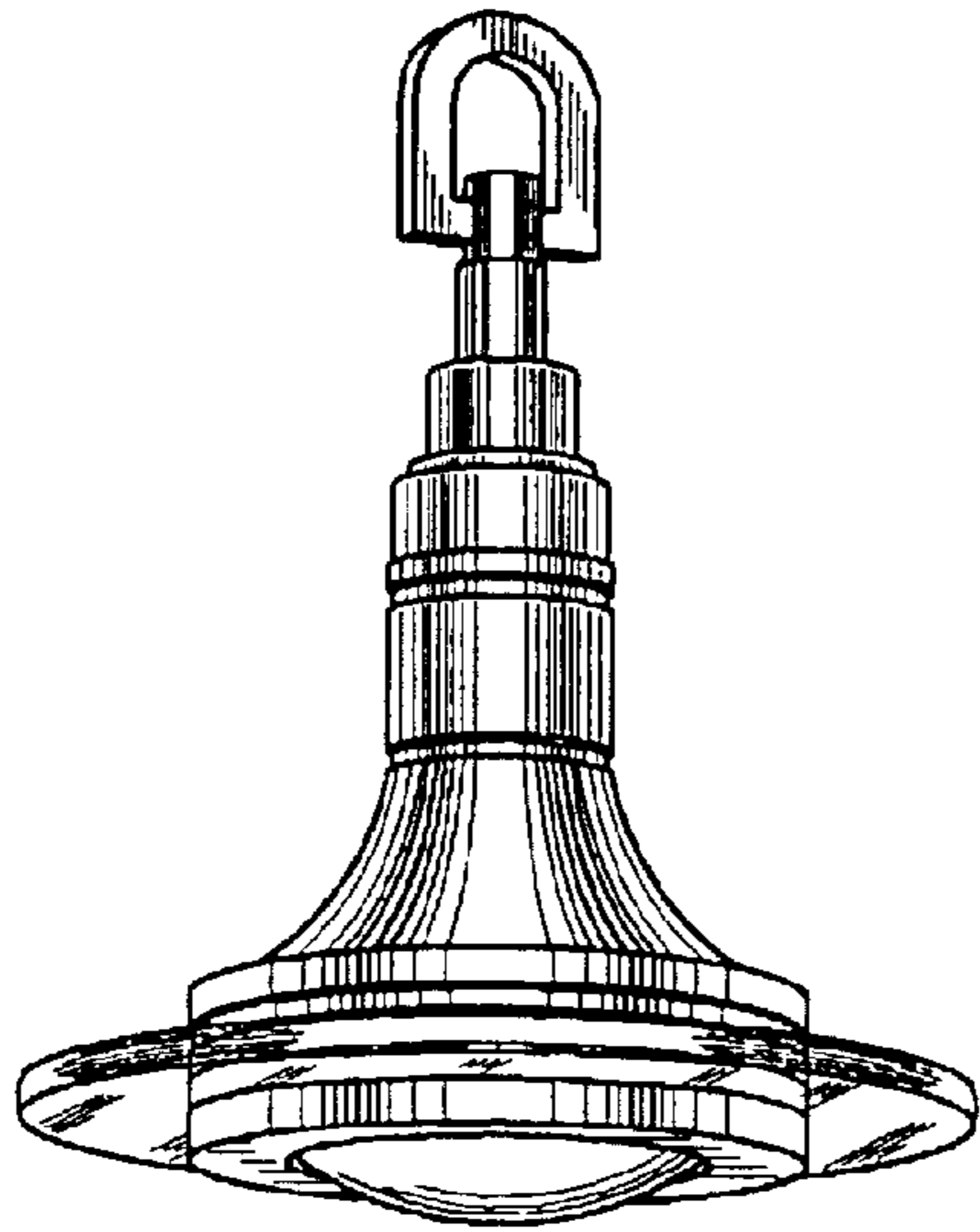


Fig.1

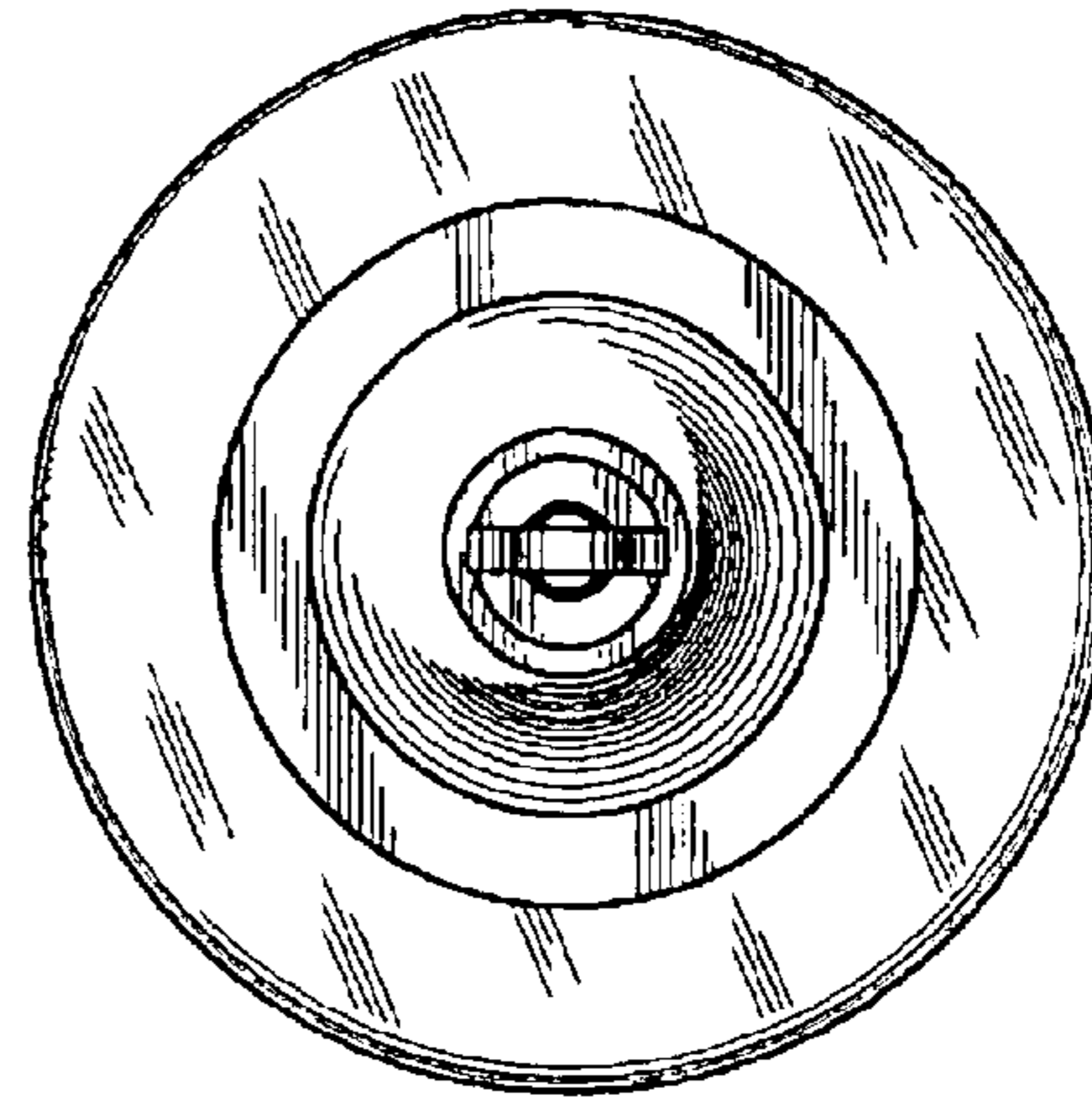


Fig.2

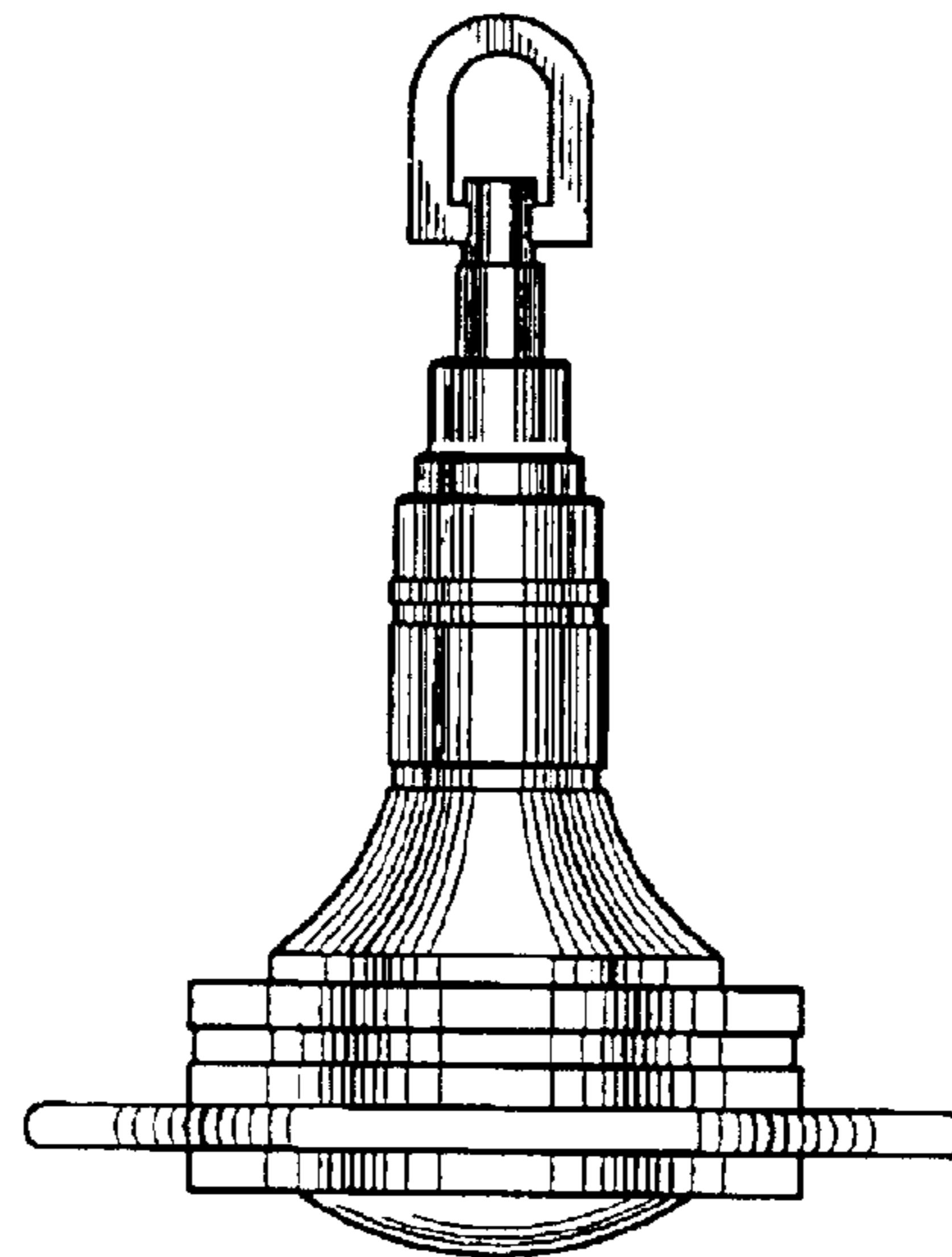


Fig.4

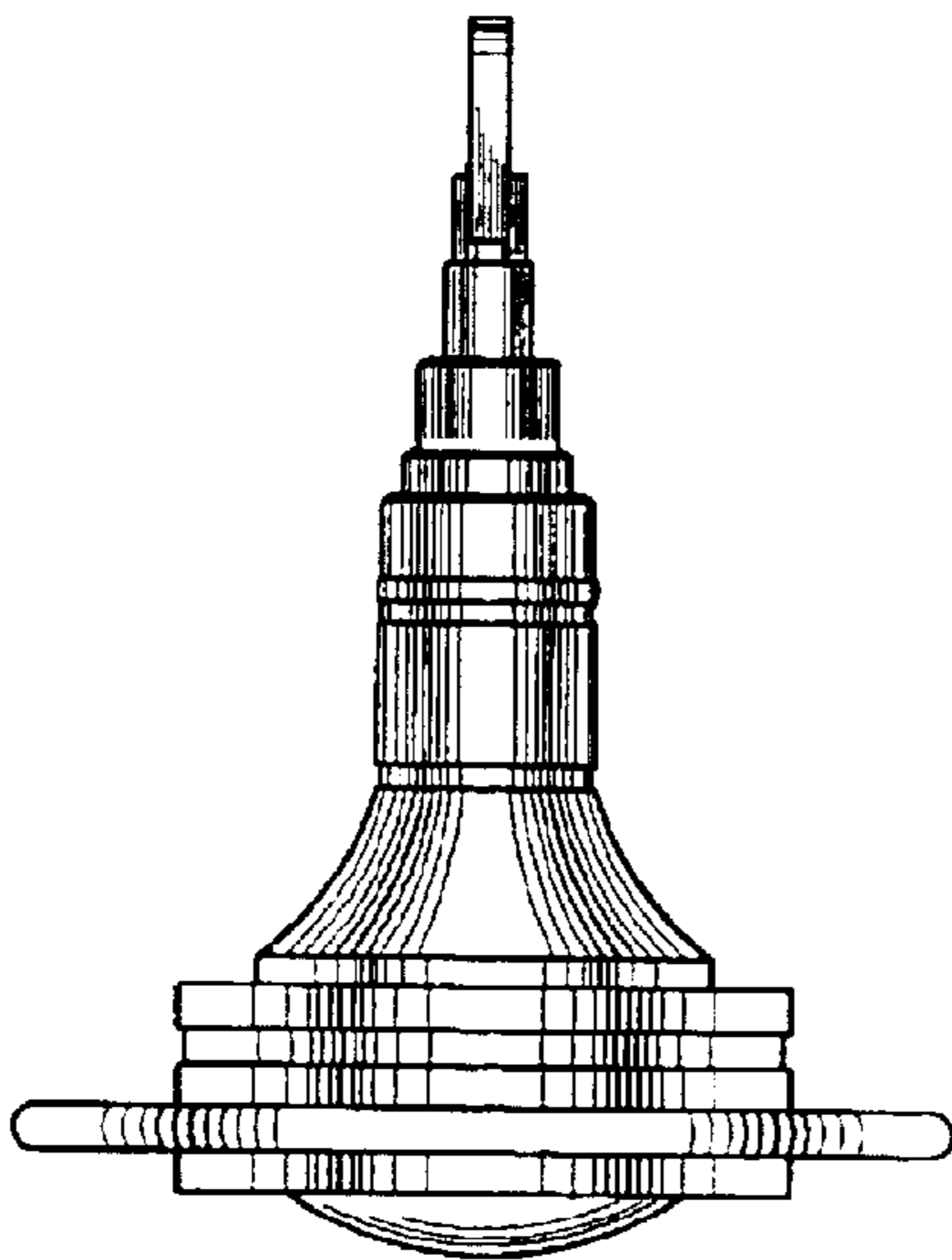


Fig.3

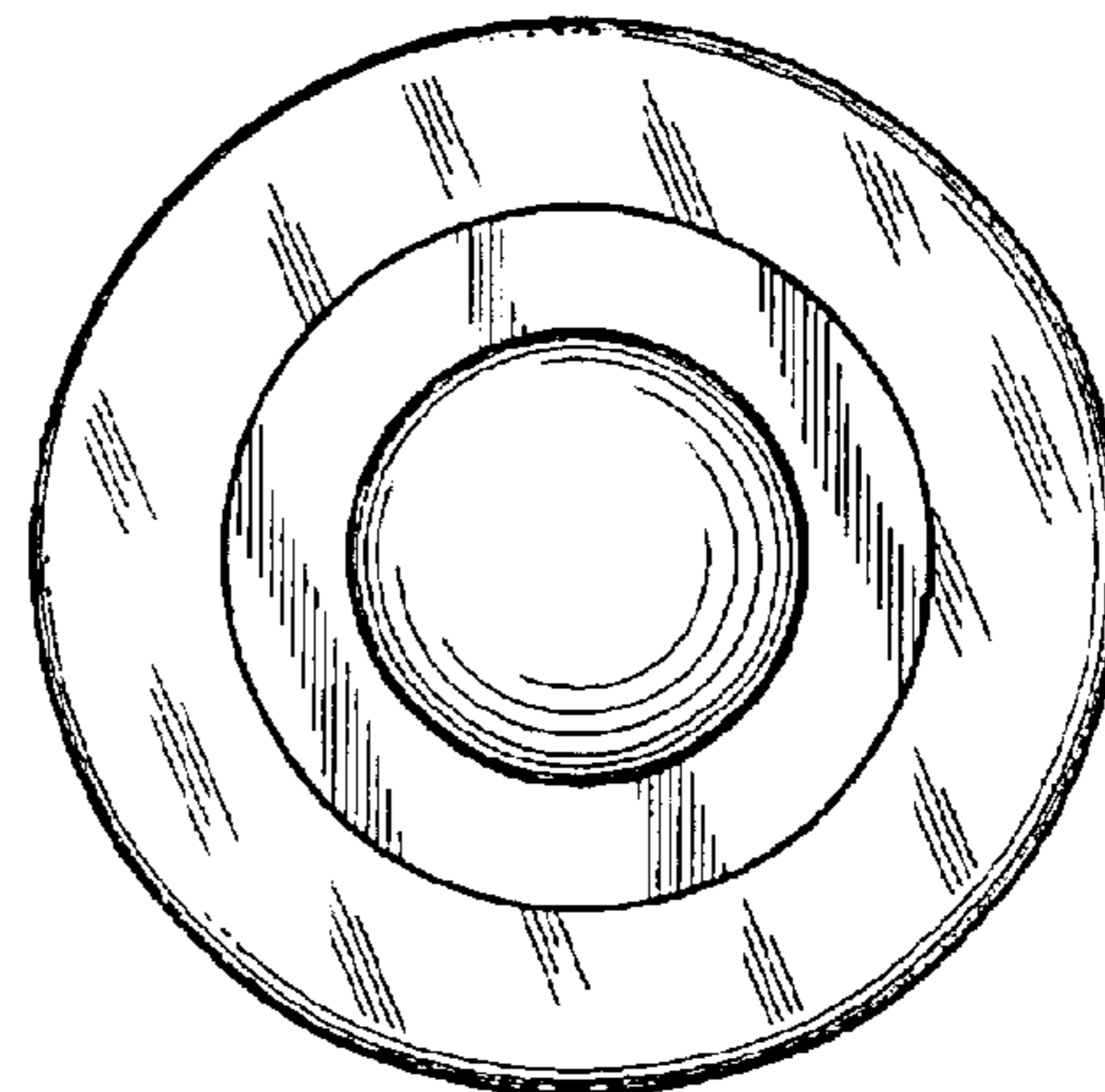


Fig.5