



US00D494700S1

(12) **United States Design Patent**
Hartman et al.

(10) **Patent No.: US D494,700 S**

(45) **Date of Patent: ** Aug. 17, 2004**

(54) **OVERHEAD FLUORESCENT LIGHT
FIXTURE**

(75) Inventors: **Randall D. Hartman**, Oshkosh, WI
(US); **Clay E. Eastling**, Wautoma, WI
(US)

(73) Assignee: **Smartlite, Inc.**, Oshkosh, WI (US)

(**) Term: **14 Years**

(21) Appl. No.: **29/180,318**

(22) Filed: **Apr. 23, 2003**

(51) **LOC (7) Cl.** **26-03**

(52) **U.S. Cl.** **D26/76**

(58) **Field of Search** D26/24, 72, 75-78;
362/217-225, 147, 151, 133, 404

(56) **References Cited**

U.S. PATENT DOCUMENTS

D122,145 S	*	8/1940	MacCarthy	D26/78
D255,851 S	*	7/1980	Crane	D26/76
6,257,735 B1		7/2001	Baar		
D447,266 S		8/2001	Verfuert		
6,331,064 B1	*	12/2001	Nishiyama et al.	362/217

6,428,183 B1	*	8/2002	McAlpin	362/225
D463,059 S		9/2002	Verfuert		
6,450,668 B1	*	9/2002	Kotloff	362/221
D465,869 S	*	11/2002	Bodell	D26/78
6,585,396 B1	*	7/2003	Verfuert	362/225

* cited by examiner

Primary Examiner—Clare E. Heflin

(74) *Attorney, Agent, or Firm*—Schroeder & Siegfried P.A.

(57) **CLAIM**

The ornamental design for an overhead fluorescent light fixture, as shown and described.

DESCRIPTION

FIG. 1 is a perspective view showing our new design, viewed from above and longitudinally of the fixture;

FIG. 2 is a top plan view thereof;

FIG. 3 is a front side elevational view thereof;

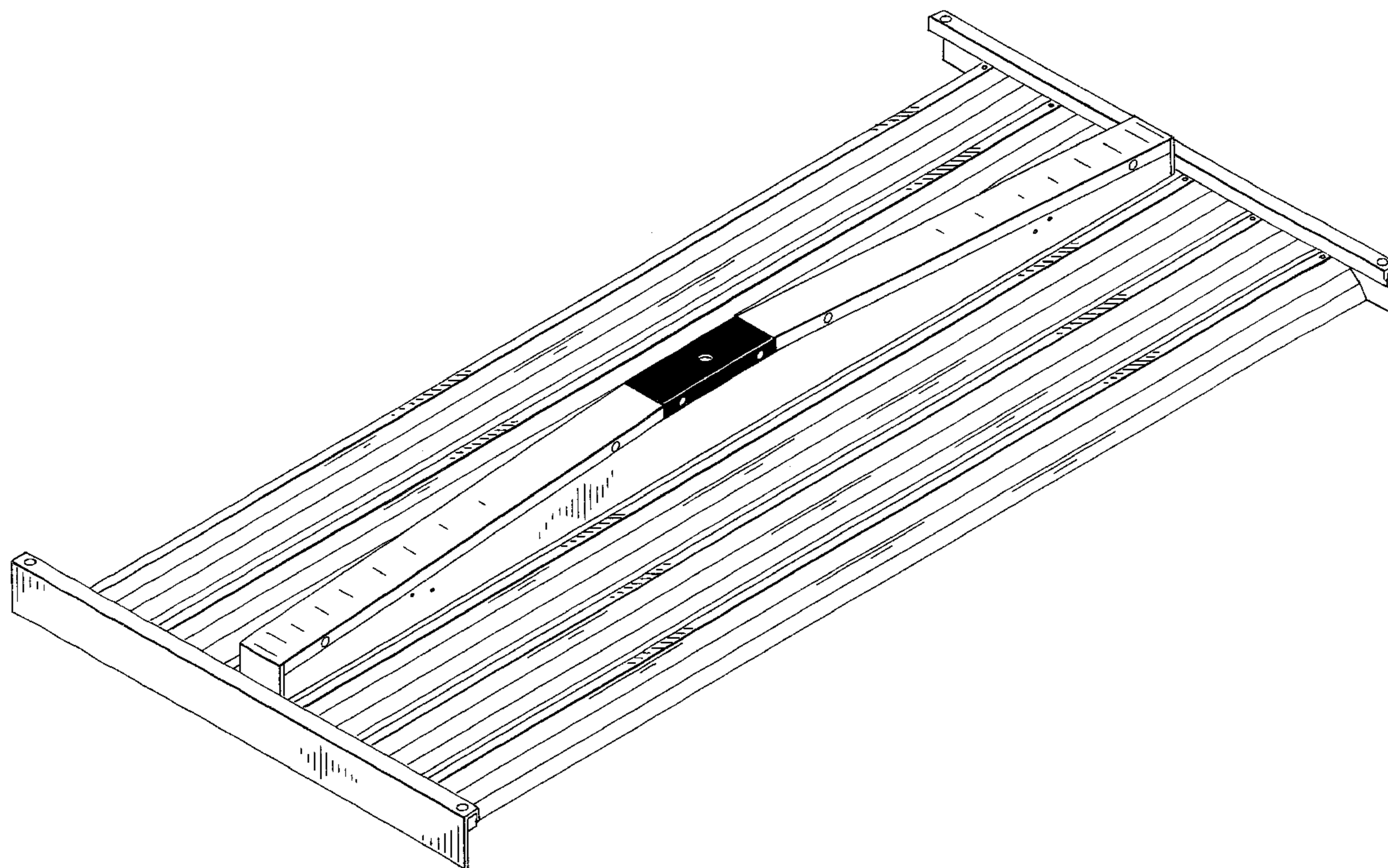
FIG. 4 is a left end elevational view thereof; and,

FIG. 5 is a bottom plan view thereof.

The backside elevational view is a substantial mirror image of the front side elevational view shown in FIG. 3.

The right end elevational view is a mirror image of the left end elevational view shown in FIG. 4.

1 Claim, 3 Drawing Sheets



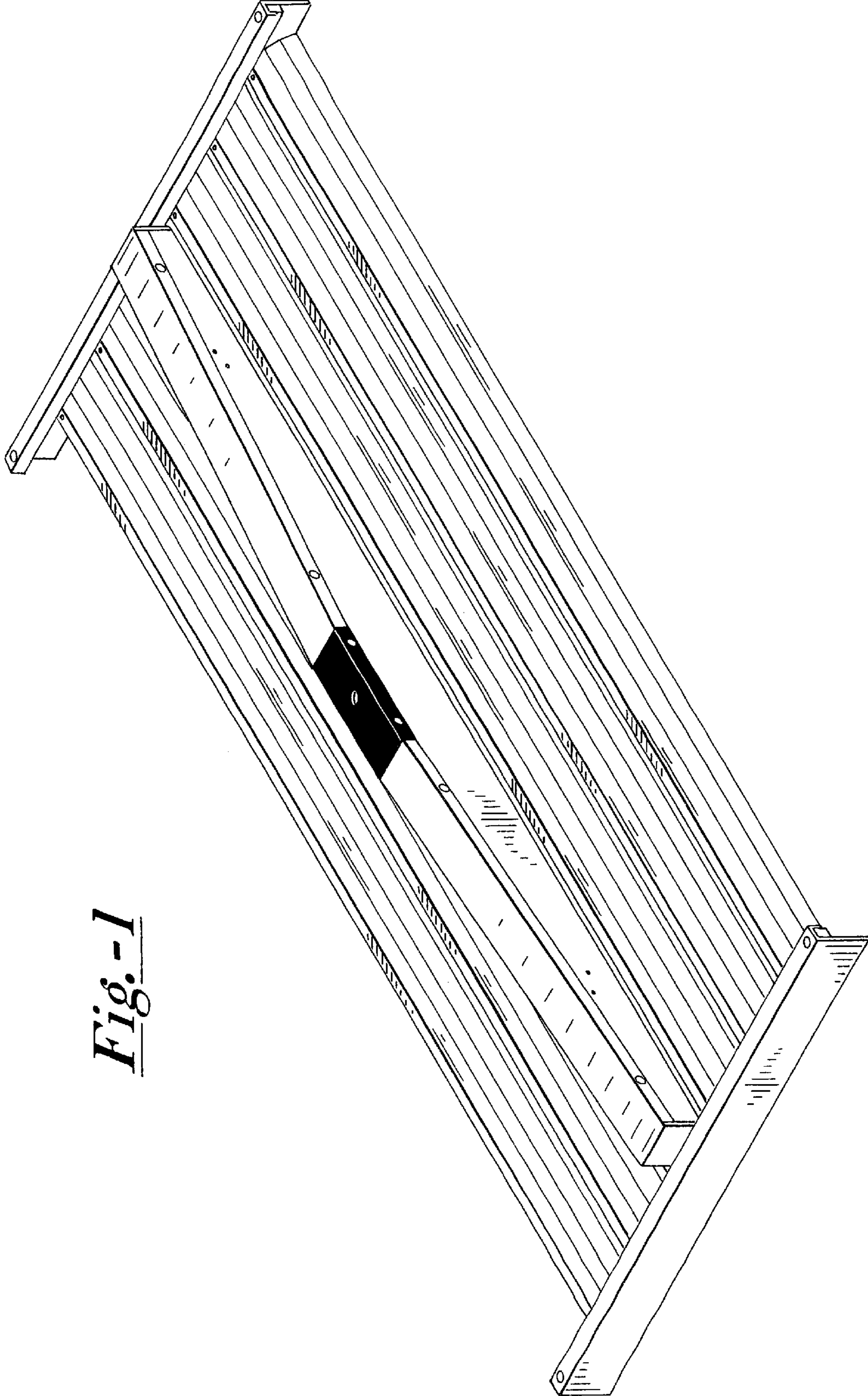


Fig. -1

Fig.-2

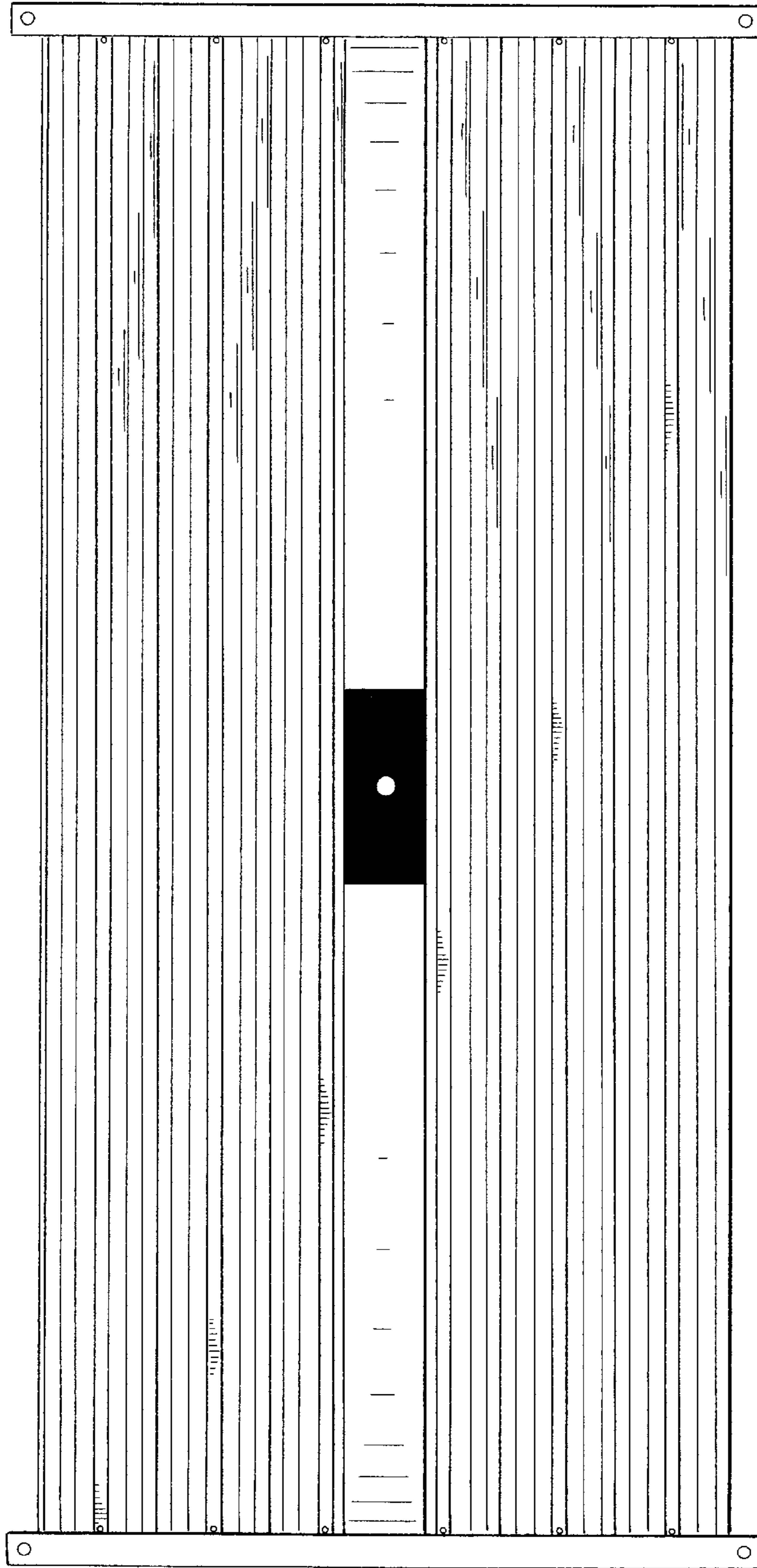


Fig.-3

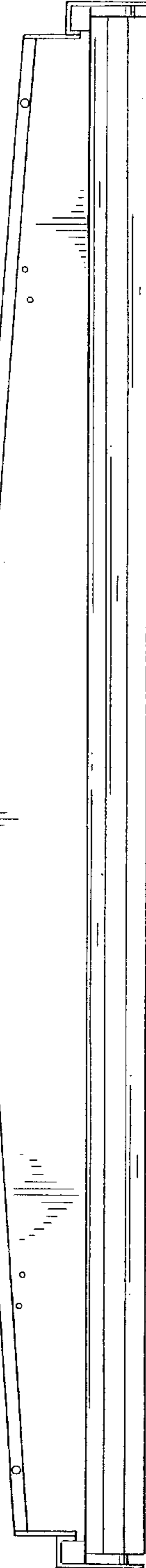


Fig.-4

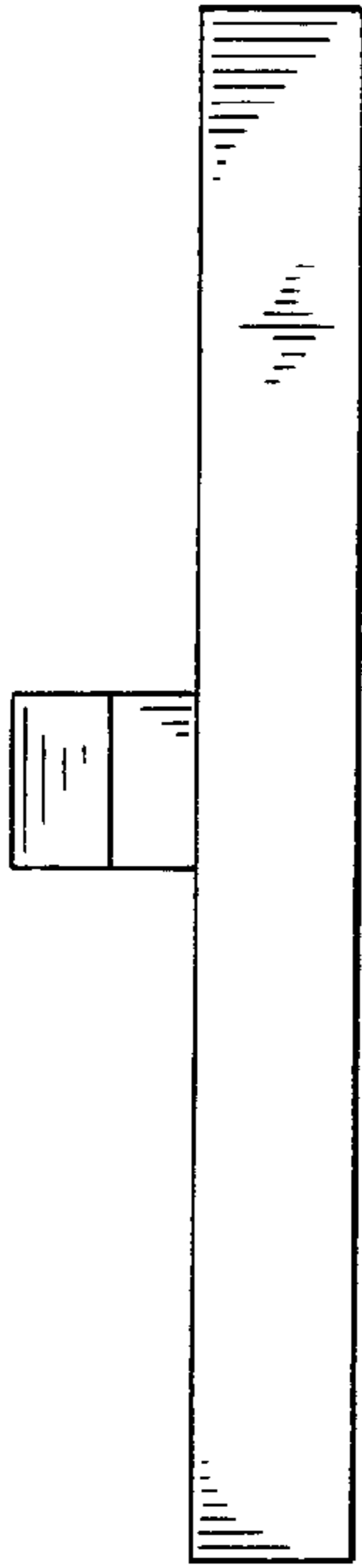


Fig.-5

